



US00D928146S

(12) **United States Design Patent**
Solberg et al.

(10) **Patent No.:** **US D928,146 S**

(45) **Date of Patent:** **** Aug. 17, 2021**

(54) **TABLET COMPUTER**

(71) Applicant: **REMARKABLE AS**, Oslo (NO)

(72) Inventors: **Mats Herding Solberg**, Oslo (NO);
Magnus Haug Wanberg, Oslo (NO)

(73) Assignee: **REMARKABLE AS**, Oslo (NO)

(**) Term: **15 Years**

(21) Appl. No.: **29/763,845**

(22) Filed: **Dec. 24, 2020**

Related U.S. Application Data

(62) Division of application No. 29/714,194, filed on Nov. 21, 2019.

(51) **LOC (13) Cl.** **14-02**

(52) **U.S. Cl.**
USPC **D14/341**

(58) **Field of Classification Search**

USPC D14/341, 388-389, 371, 374, 420, 426,
D14/129-130, 315-318, 342-347, 496;
D21/324, 329; D24/186; D10/104.4, 50,
D10/65, 74

CPC G06F 1/16; G06F 1/1632; G06F 1/1616;
G06F 1/1626; G06F 1/1658; G06F
1/1688; G06F 1/1613; G06F 2200/1633;
G06F 3/0488; G06F 3/04886; G06F
3/044; G06F 3/0412; G06F 3/0416;
H01M 10/44; F16M 11/10; F16M 11/02;
H05K 7/1465; A45C 2011/002; A45C
2011/003; H04B 1/3888; H04M 1/185

See application file for complete search history.

(56) **References Cited**

U.S. PATENT DOCUMENTS

D705,775 S * 5/2014 Canizares D14/341
D750,621 S * 3/2016 Looor Canizares D14/341

D786,238 S * 5/2017 Roberts D14/341
D795,249 S * 8/2017 Wall D14/341
D801,330 S * 10/2017 Morgan D14/341

(Continued)

OTHER PUBLICATIONS

The Remarkable 2, first available Mar. 17, 2020, <https://goodereader.com/>, [online], [site visited Oct. 27, 2020], Available from internet URL: <https://goodereader.com/blog/electronic-readers/the-remarkable-2-will-be-released-in-june-for-399> (Year: 2020).*

(Continued)

Primary Examiner — Samantha Q Lawrence

Assistant Examiner — Holly M Rodriguez

(74) *Attorney, Agent, or Firm* — Fenwick & West LLP

(57) **CLAIM**

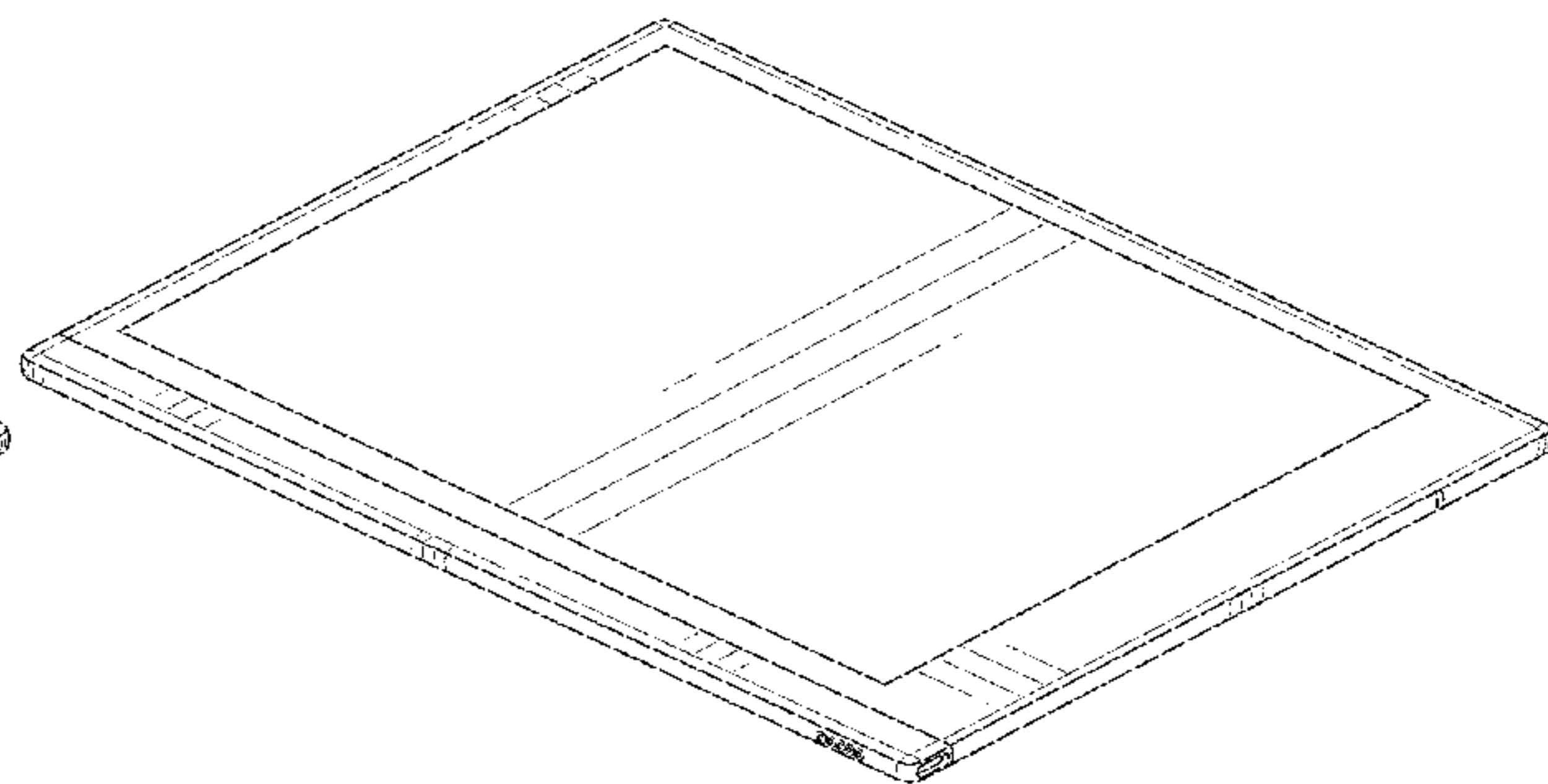
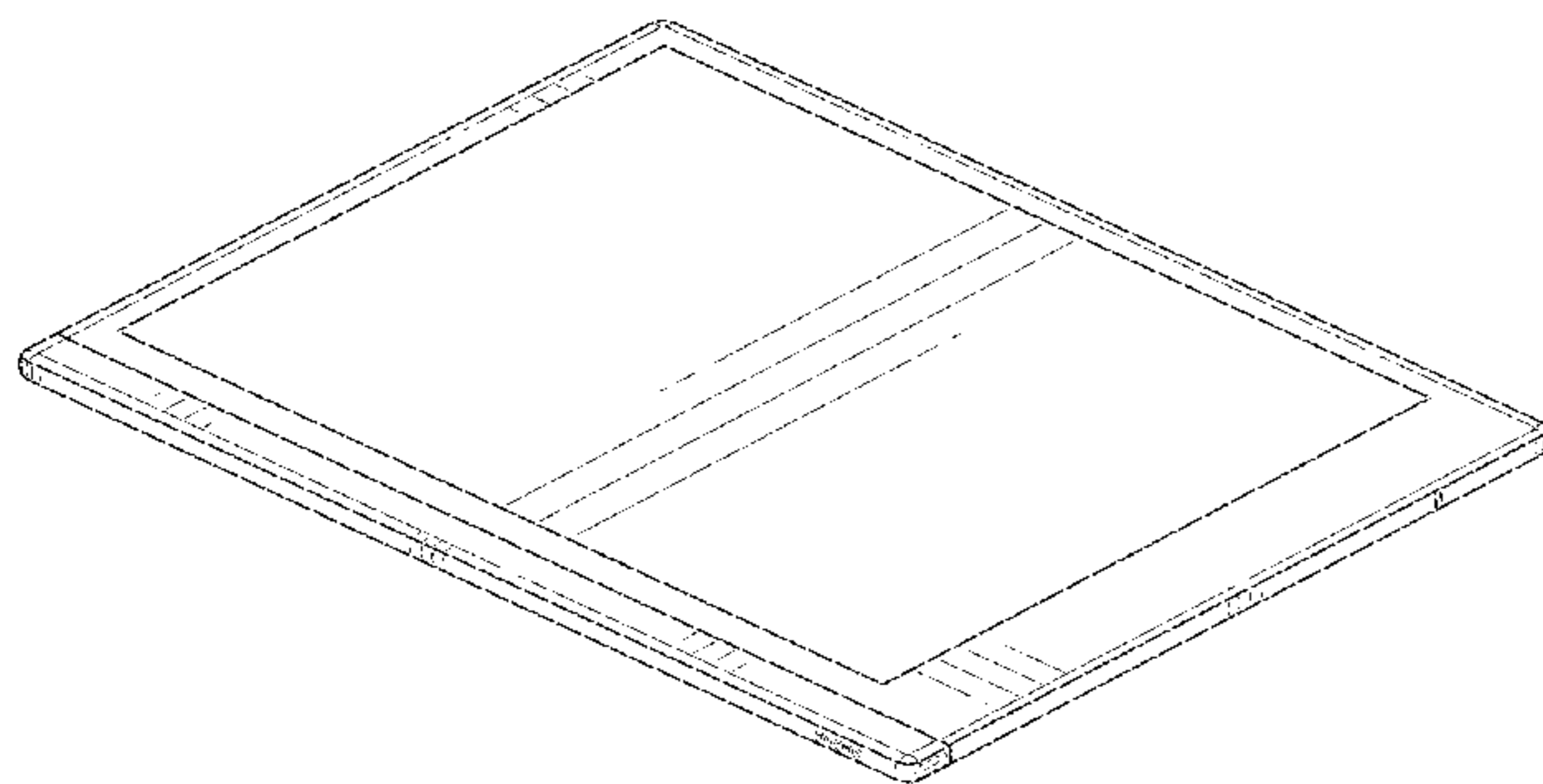
The ornamental design for a tablet computer, as shown and described.

DESCRIPTION

FIG. 1 is a front and left perspective view of a first embodiment of a tablet computer;
FIG. 2 is a front view thereof;
FIG. 3 is a rear view thereof;
FIG. 4 is a top view thereof;
FIG. 5 is a bottom view thereof;
FIG. 6 is a right view thereof;
FIG. 7 is a left view thereof;
FIG. 8 is a front and left perspective view of a second embodiment of a tablet computer;
FIG. 9 is a front view thereof;
FIG. 10 is a rear view thereof;
FIG. 11 is a top view thereof;
FIG. 12 is a bottom view thereof;
FIG. 13 is a right view thereof; and,
FIG. 14 is a left view thereof.

The broken lines in the drawings illustrate portions of the tablet computer that form no part of the claimed design.

1 Claim, 14 Drawing Sheets



(56)

References Cited

U.S. PATENT DOCUMENTS

D807,348 S	*	1/2018	Wang	D14/341
D810,075 S	*	2/2018	Liu	D14/341
D810,745 S	*	2/2018	Luo	D14/389
D835,097 S	*	12/2018	Morgan	D14/341
D839,266 S	*	1/2019	Chang	D14/341
D842,852 S	*	3/2019	Kim	D14/341
D856,322 S	*	8/2019	Huebner	D14/341
D867,452 S	*	11/2019	Morris	D19/113

OTHER PUBLICATIONS

Lenovo Tab E 10 1" Android Tablet, first available Feb. 8, 2019, amazon.com, [online], [site visited Feb. 25, 2021], Available from internet URL: <https://www.amazon.com/Lenovo-Tab-Android-Tablet-2GB/dp/B07NJK69YN> (Year: 2019).*

Kozlowski, M., "The Remarkable 2 will be released in June for \$399," Good e-Reader News, Mar. 17, 2020, 10 pages, [Online] [Retrieved on Oct. 27, 2020], Retrieved from the Internet <URL: <https://goodereader.com/blog/electronic-readers/the-remarkable-2-will-be-released-in-june-for-399>>.

United States Office Action, U.S. Appl. No. 29/714,194, dated Jan. 14, 2021, six pages.

* cited by examiner

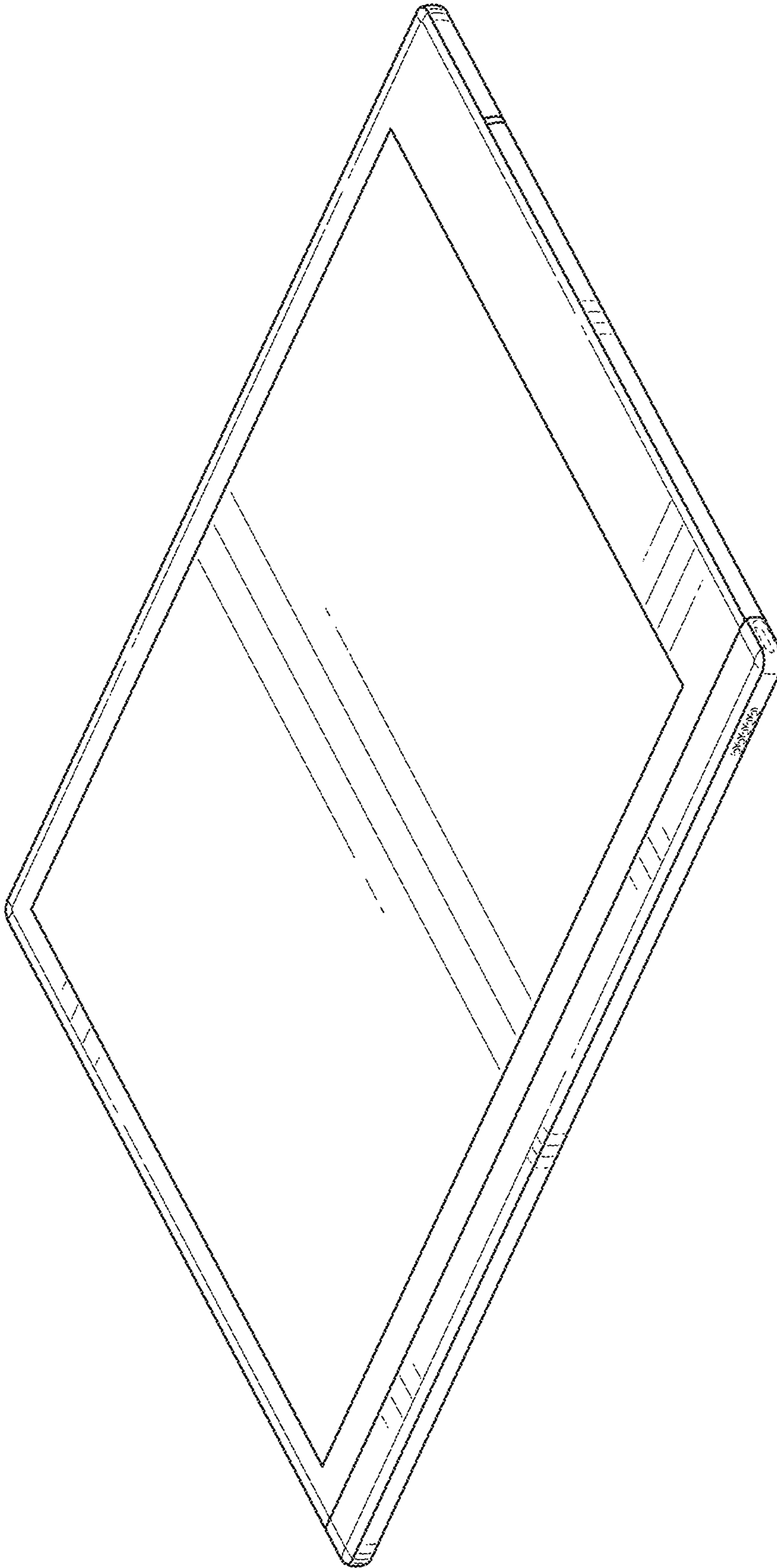


FIG. 1

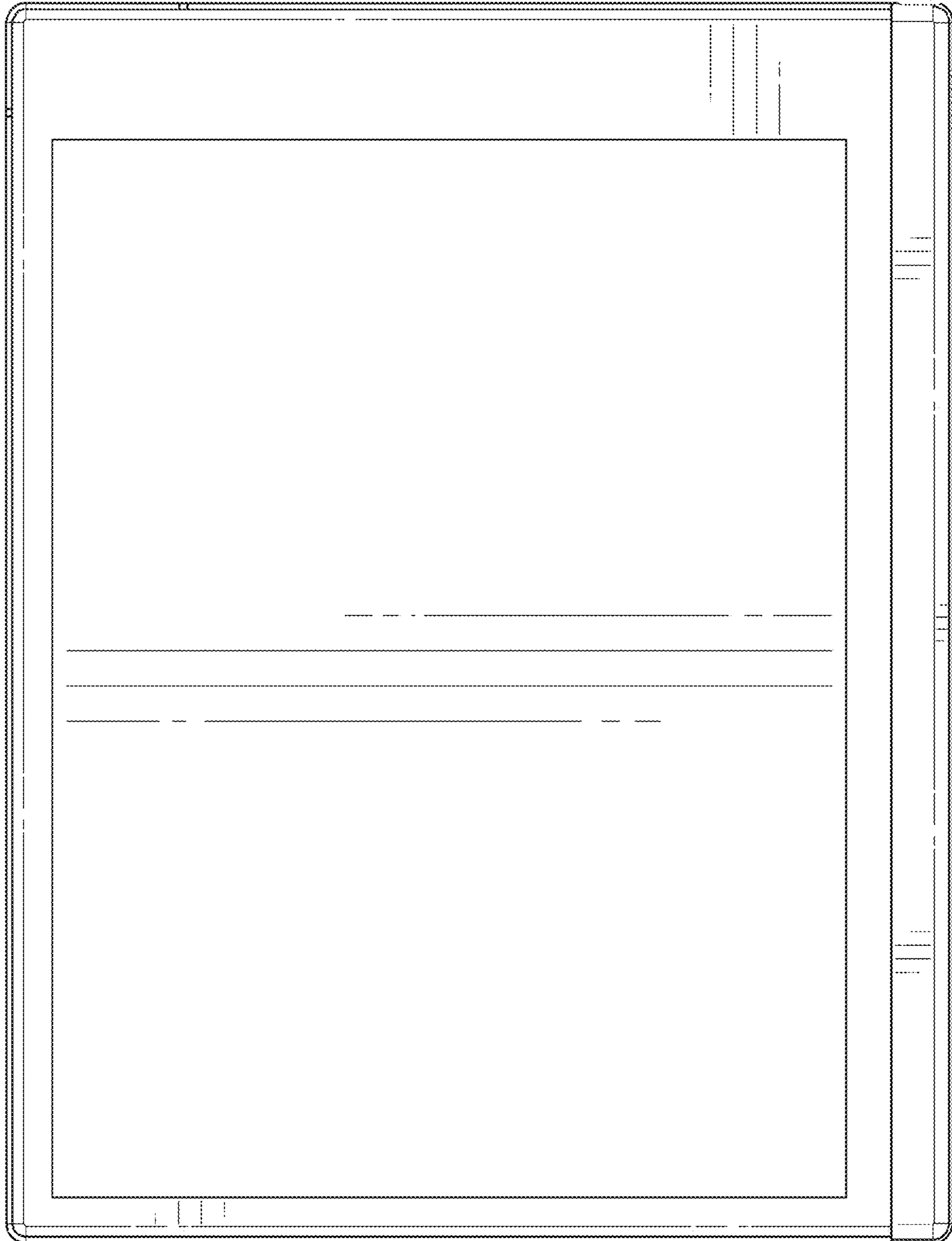


FIG. 2

FIG. 3

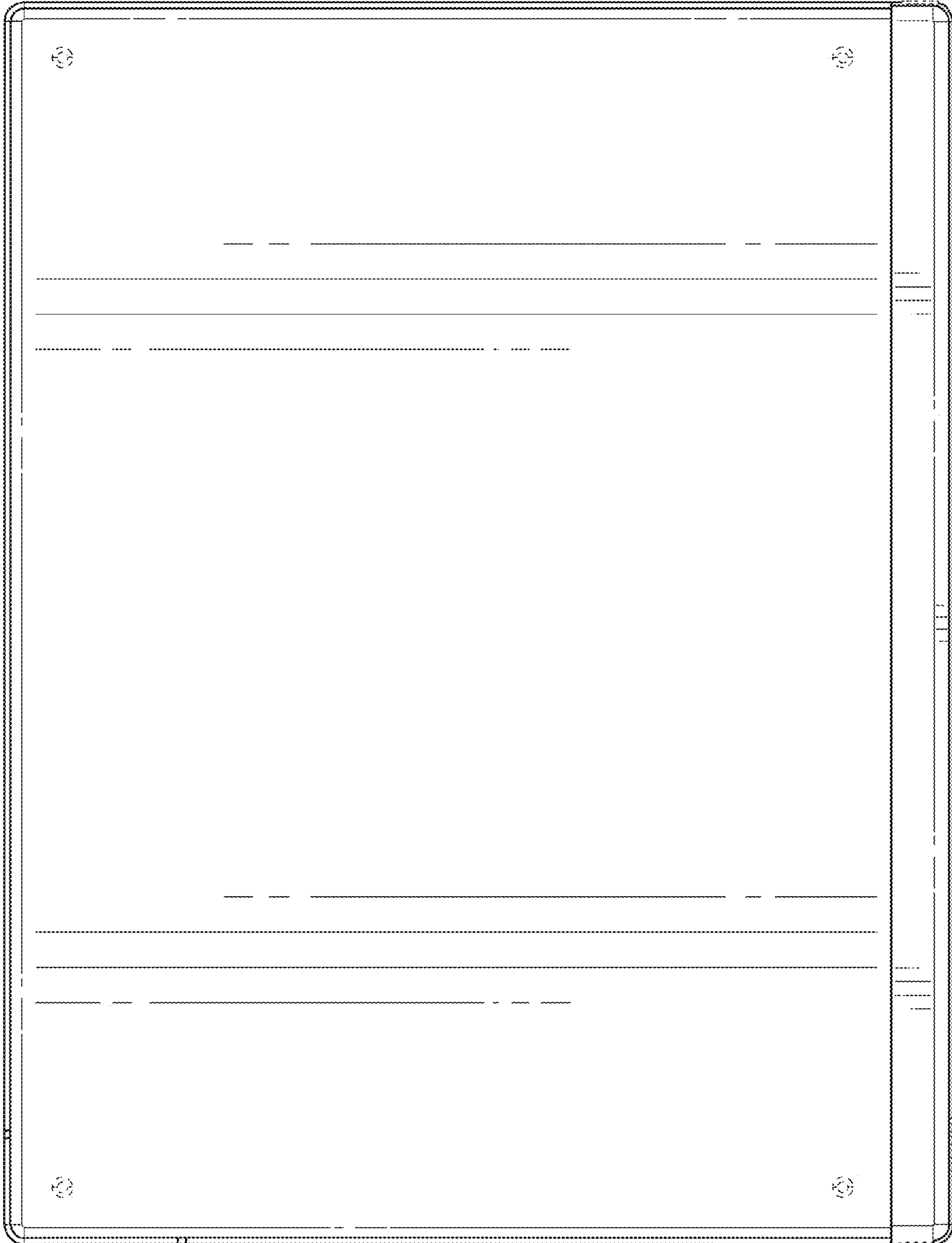




FIG. 4

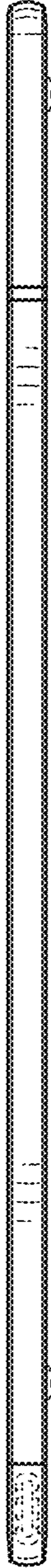


FIG. 5

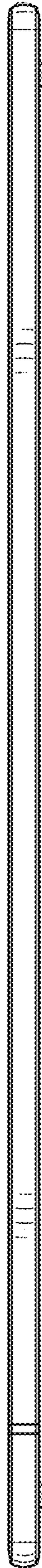


FIG. 6



FIG. 7

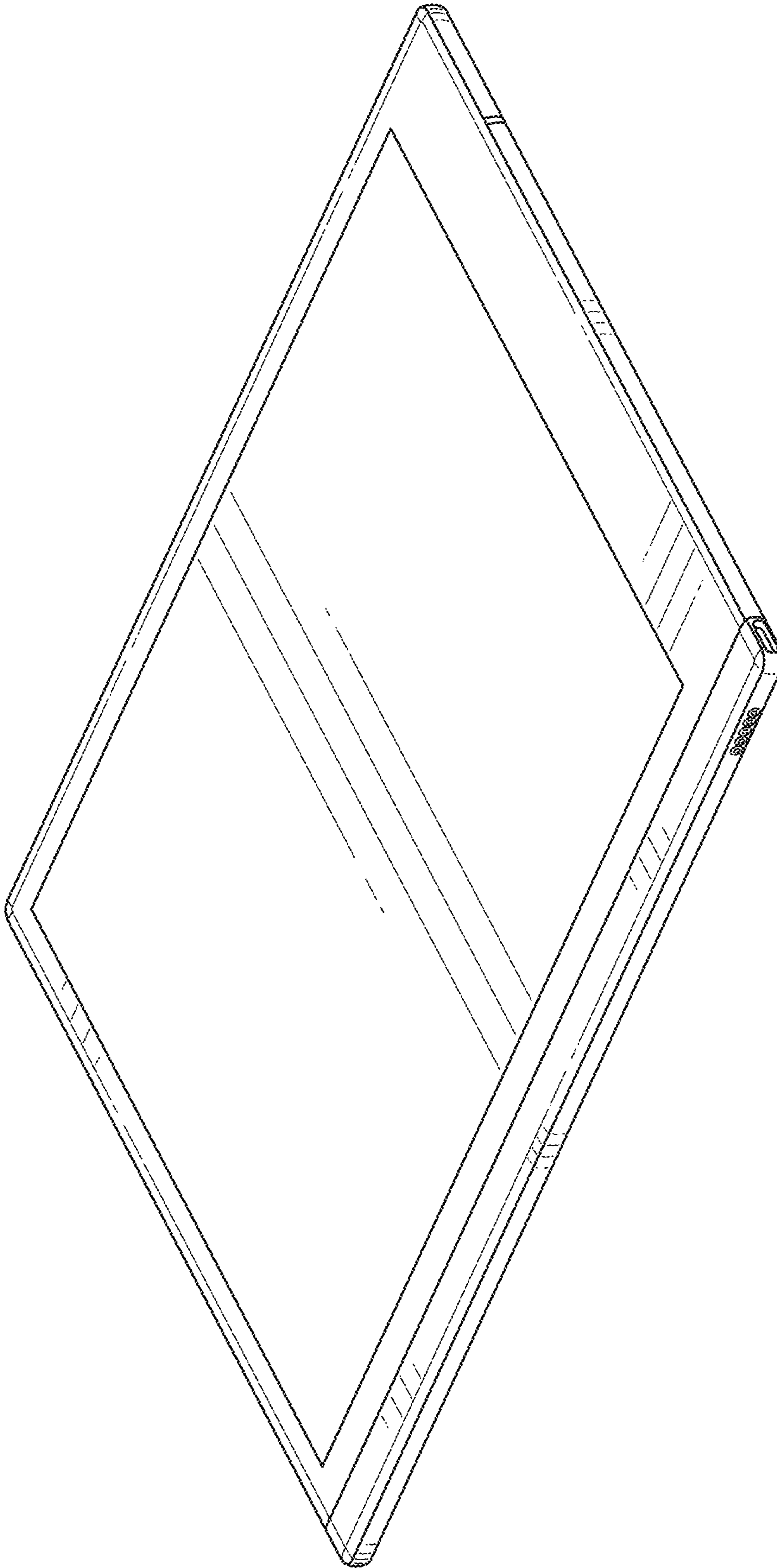


FIG. 8

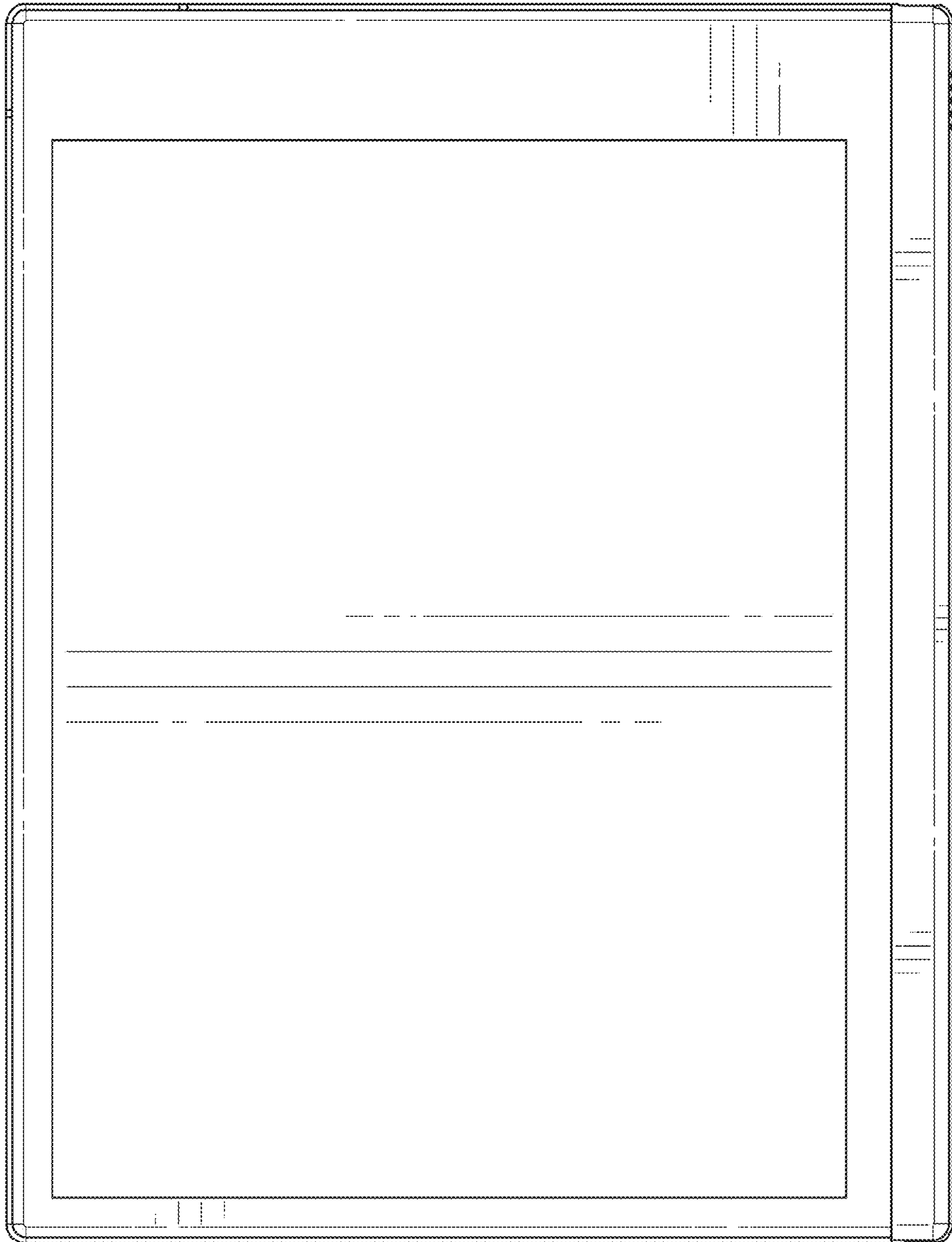


FIG. 9

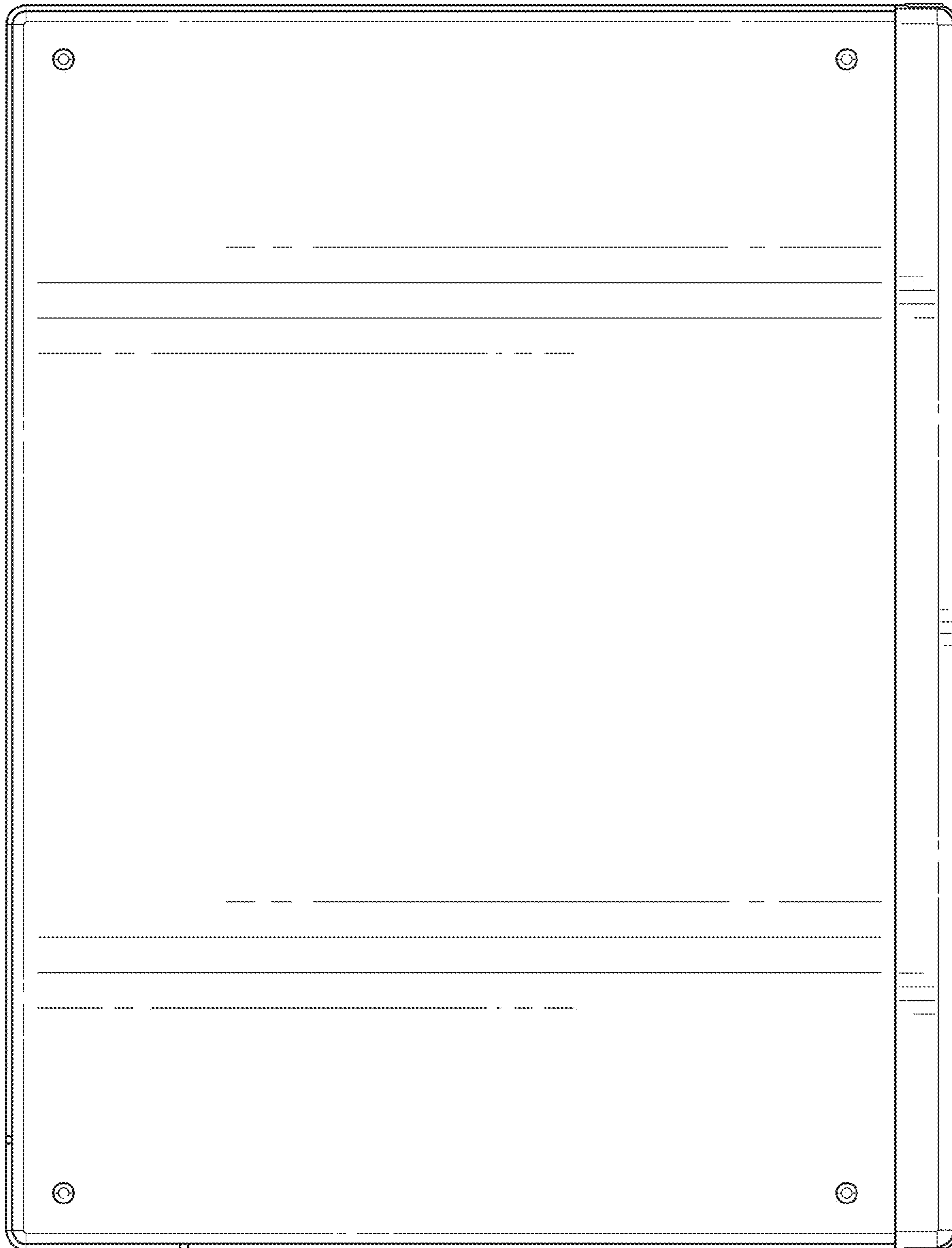


FIG. 10

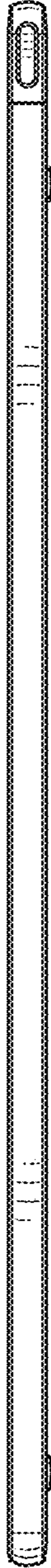


FIG. 11

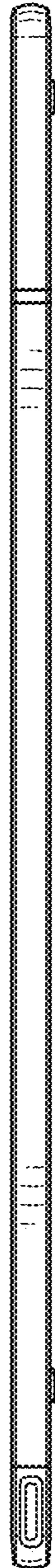


FIG. 12

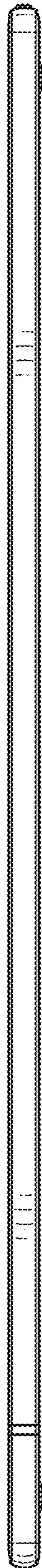


FIG. 13



FIG. 14