



US00D928145S

(12) **United States Design Patent** (10) **Patent No.:** **US D928,145 S**
Solberg et al. (45) **Date of Patent:** **** Aug. 17, 2021**

(54) **TABLET COMPUTER**
(71) Applicant: **REMARKABLE AS**, Oslo (NO)
(72) Inventors: **Mats Herding Solberg**, Oslo (NO);
Magnus Haug Wanberg, Oslo (NO)
(73) Assignee: **REMARKABLE AS**, Oslo (NO)
(**) Term: **15 Years**
(21) Appl. No.: **29/714,194**
(22) Filed: **Nov. 21, 2019**
(51) **LOC (13) Cl.** **14-02**
(52) **U.S. Cl.**
USPC **D14/341**
(58) **Field of Classification Search**
USPC D14/341, 388-389, 371, 374, 420, 426,
D14/129-130, 315-318, 342-347, 496;
D21/324, 329; D24/186; D10/104.4, 50,
D10/65, 74
CPC G06F 1/16; G06F 1/1632; G06F 1/1616;
G06F 1/1626; G06F 1/1658; G06F
1/1688; G06F 1/1613; G06F 2200/1633;
G06F 3/0488; G06F 3/04886; G06F
3/044; G06F 3/0412; G06F 3/0416;
H01M 10/44; F16M 11/10; F16M 11/02;
H05K 7/1465; A45C 2011/002; A45C
2011/003; H04B 1/3888; H04M 1/185
See application file for complete search history.

D835,097 S * 12/2018 Morgan D14/341
D839,266 S * 1/2019 Chang D14/341
D842,852 S * 3/2019 Kim D14/341
D856,322 S * 8/2019 Huebner D14/341
D867,452 S * 11/2019 Morris D19/113

OTHER PUBLICATIONS

The Remarkable 2, first available Mar. 17, 2020, <https://goodereader.com/>, [online], [site visited Oct. 27, 2020], Available from internet URL: <https://goodereader.com/blog/electronic-readers/the-remarkable-2-will-be-released-in-june-for-399> (Year: 2020).*
Lenovo., "Lenovo Tab E 10 1" Android Tablet 2GB," Amazon.com, undated, 13 pages, [Online] [Retrieved on Feb. 25, 2021], Retrieved from the Internet <URL: <https://www.amazon.com/Lenovo-Tab-Android-Tablet-2GB/dp/B07NJK69YN/>>.
United States Office Action, U.S. Appl. No. 29/763,845, dated Mar. 4, 2021, eight pages.

* cited by examiner

Primary Examiner — Samantha Q Lawrence
Assistant Examiner — Holly M Rodriguez
(74) *Attorney, Agent, or Firm* — Fenwick & West LLP

(57) **CLAIM**

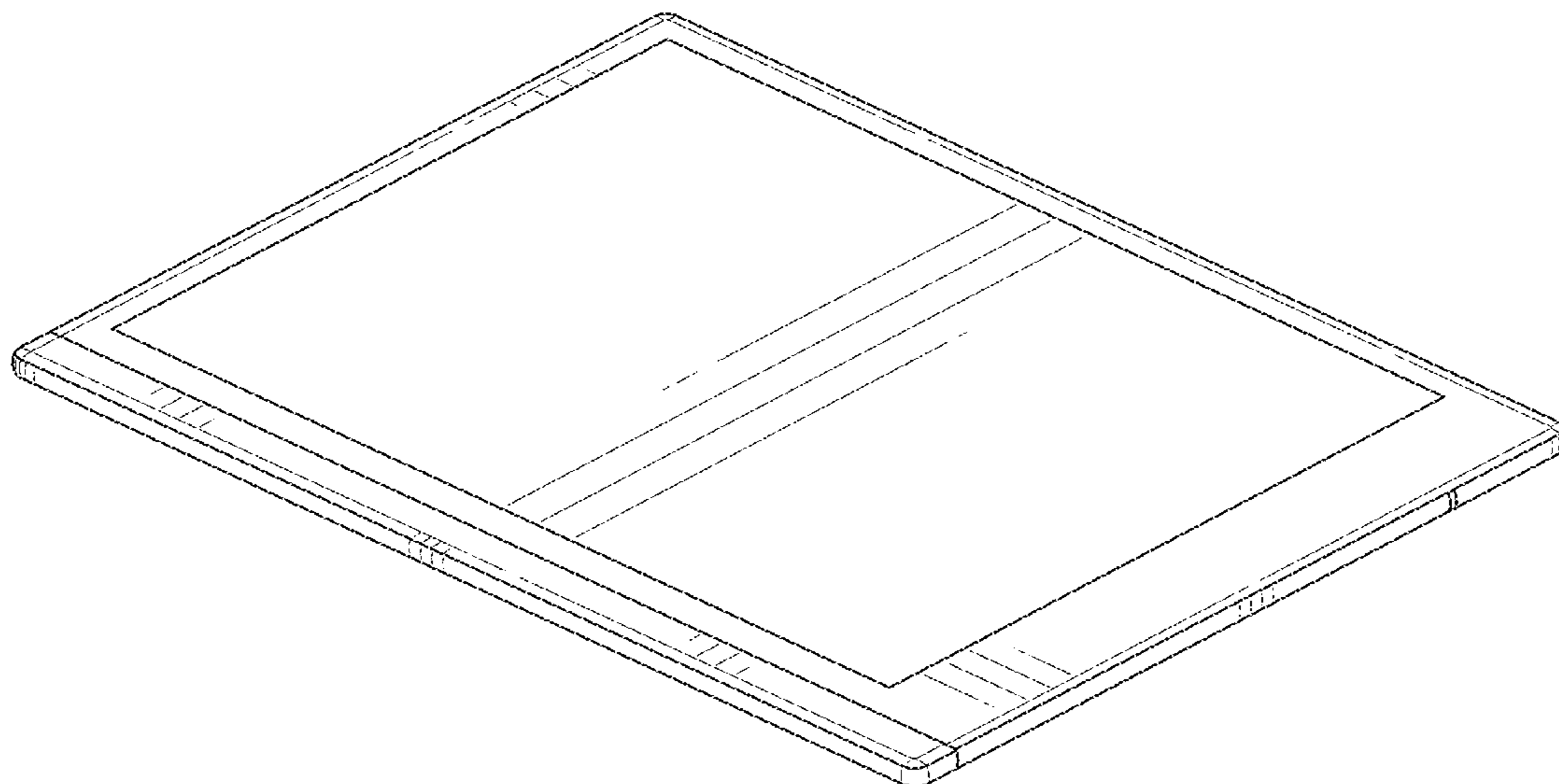
The ornamental design for a tablet computer, as shown and described.

DESCRIPTION

FIG. 1 is a front and left perspective view of a tablet computer;
FIG. 2 is a front view thereof;
FIG. 3 is a rear view thereof;
FIG. 4 is a top view thereof;
FIG. 5 is a bottom view thereof;
FIG. 6 is a right view thereof; and,
FIG. 7 is a left view thereof.
The broken lines in the drawings illustrate portions of the tablet computer that form no part of the claimed design.

1 Claim, 7 Drawing Sheets

(56) **References Cited**
U.S. PATENT DOCUMENTS
D705,775 S * 5/2014 Canizares D14/341
D750,621 S * 3/2016 Looor Canizares D14/341
D786,238 S * 5/2017 Roberts D14/341
D795,249 S * 8/2017 Wall D14/341
D801,330 S * 10/2017 Morgan D14/341
D807,348 S * 1/2018 Wang D14/341
D810,075 S * 2/2018 Liu D14/341
D810,745 S * 2/2018 Luo D14/389



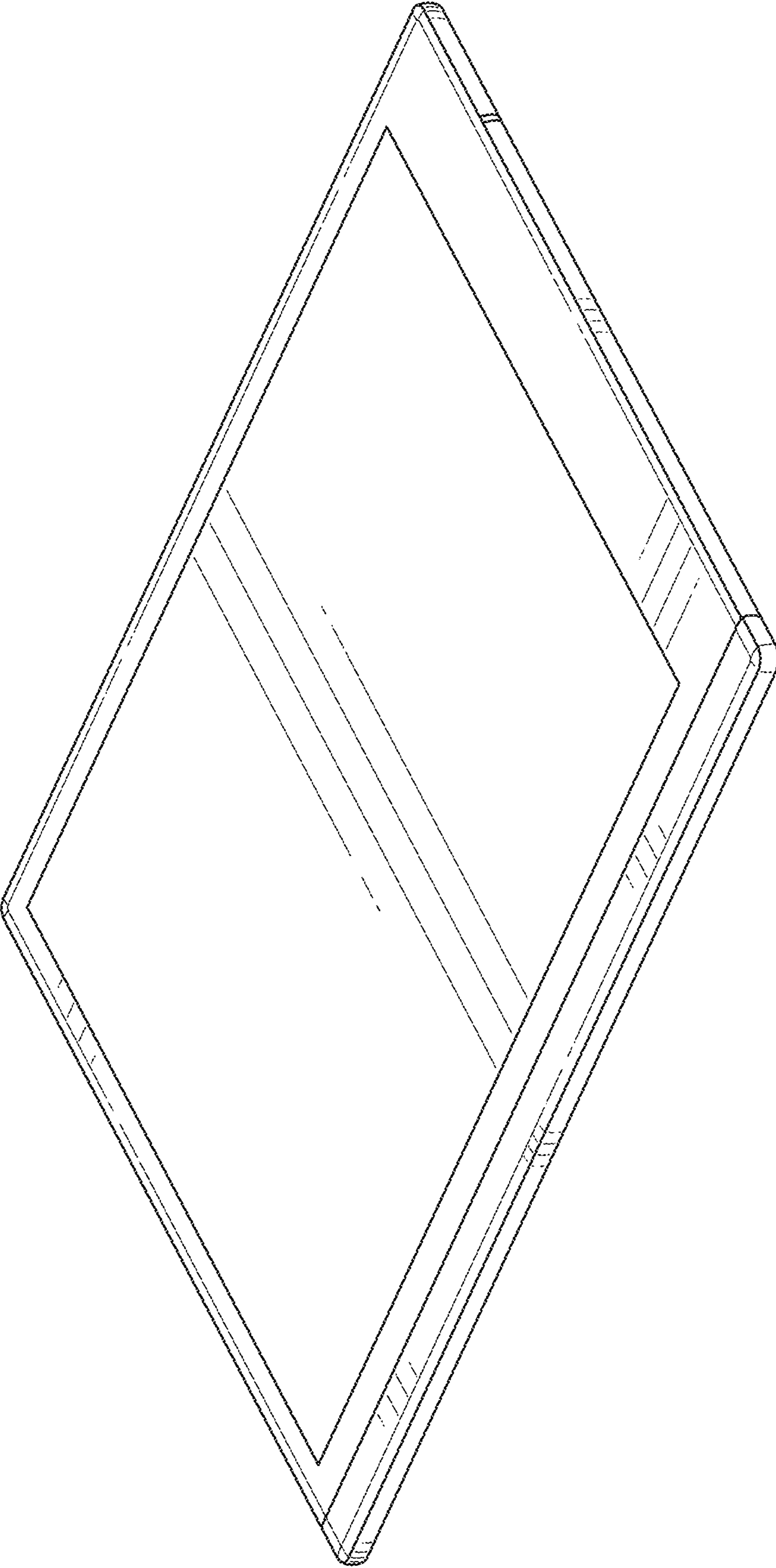


FIG. 1

FIG. 2

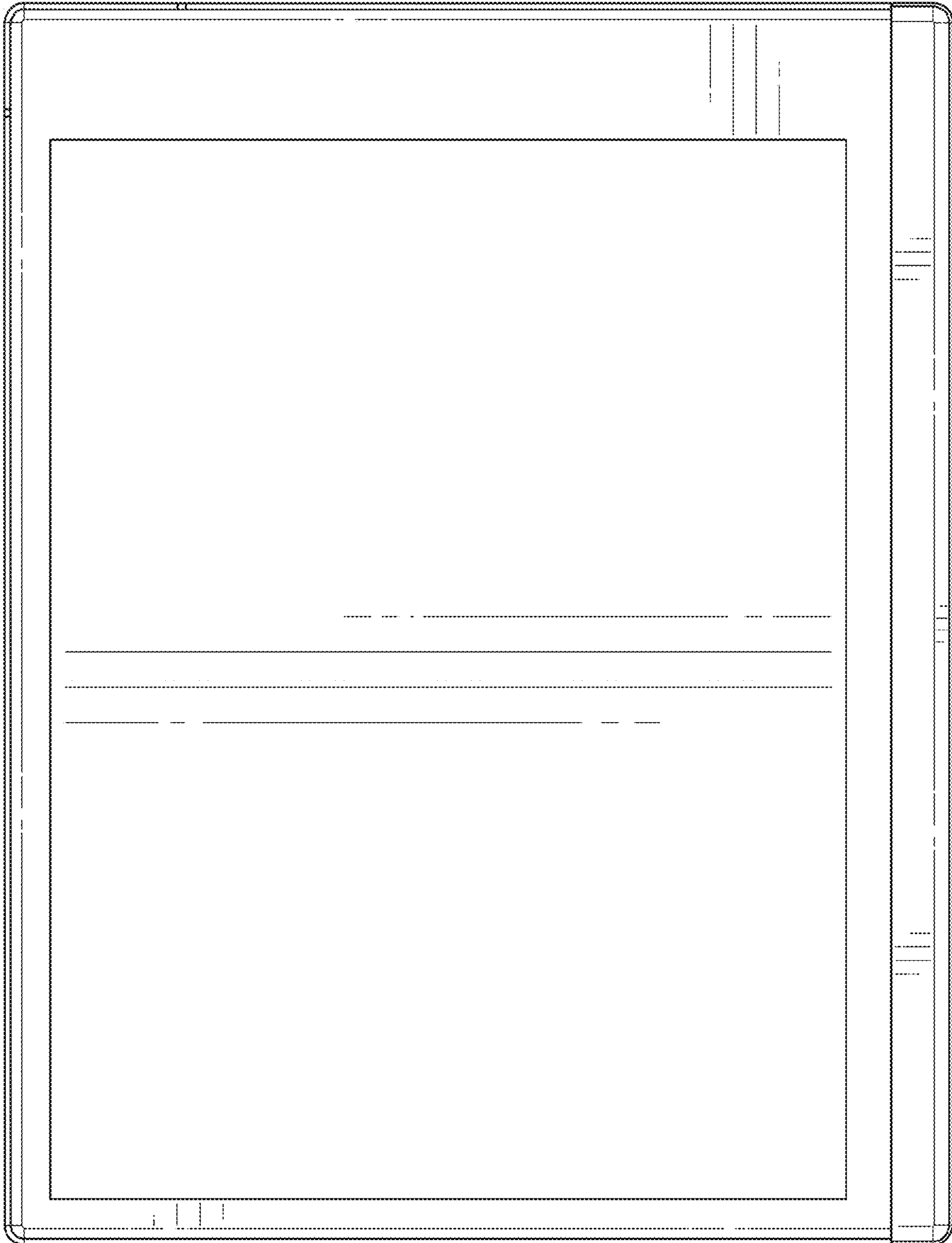
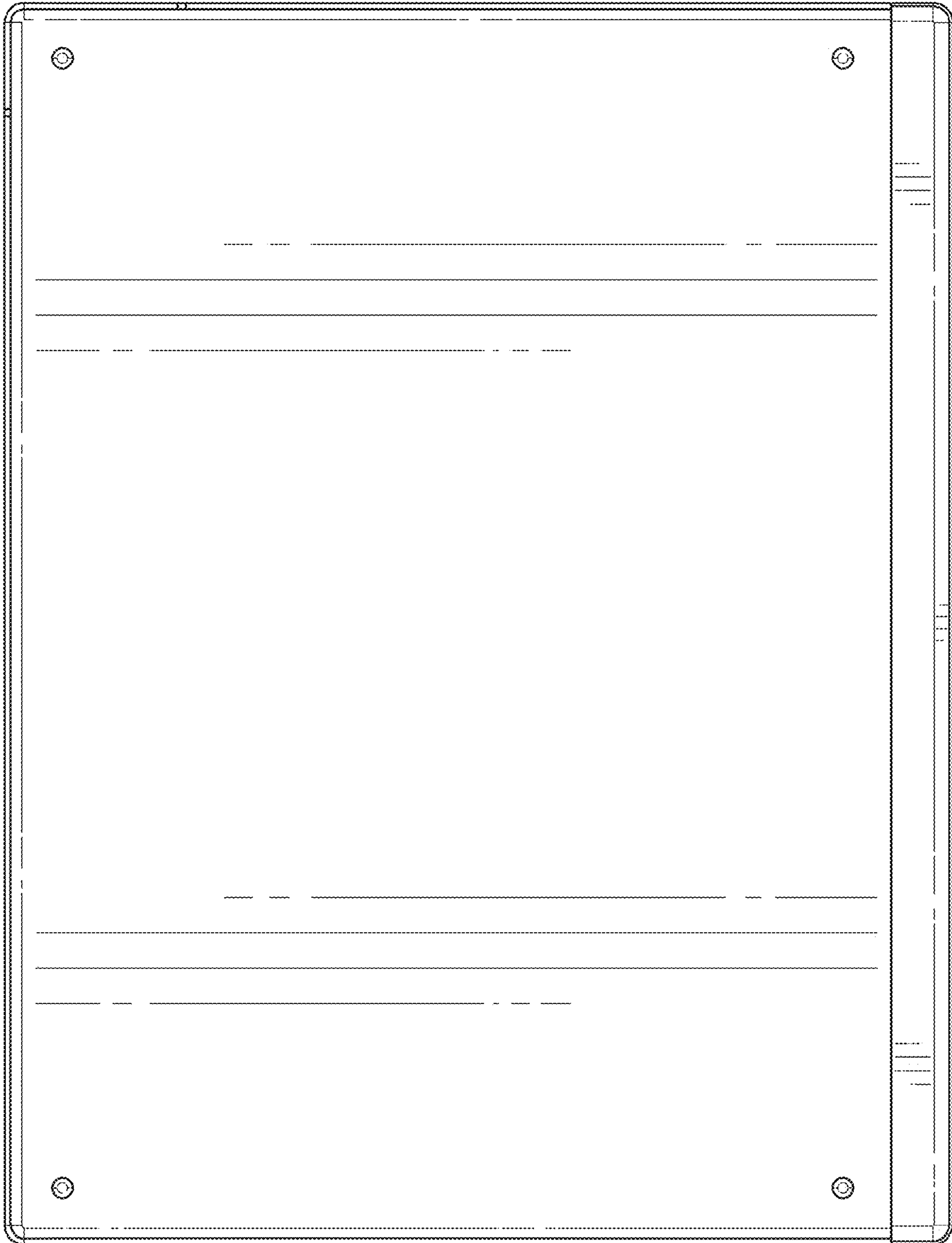


FIG. 3



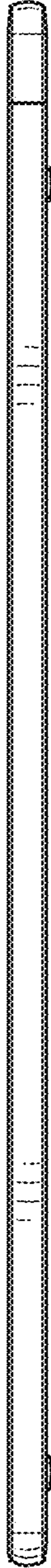


FIG. 4

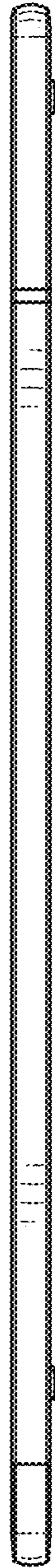


FIG. 5



FIG. 6



FIG. 7