



US00D928140S

(12) **United States Design Patent**
Wang et al.

(10) **Patent No.:** **US D928,140 S**

(45) **Date of Patent:** **** Aug. 17, 2021**

(54) **MOBILE PHONE SUPPORT**

(71) Applicant: **Aukey Technology Co., Ltd**, Shenzhen (CN)

(72) Inventors: **Zhihua Wang**, Shenzhen (CN);
Haizhuan Lu, Shenzhen (CN)

(73) Assignee: **Aukey Technology Co., Ltd**, Shenzhen (CN)

(**) Term: **15 Years**

(21) Appl. No.: **29/717,129**

(22) Filed: **Dec. 16, 2019**

(51) **LOC (13) Cl.** **14-03**

(52) **U.S. Cl.**

USPC **D14/253**

(58) **Field of Classification Search**

USPC D14/251–253, 447, 452, 432–434, 440,
D14/439, 254, 217, 224, 224.1, 238.1,
D14/299, 451, 483, 250, 458;
D12/415–426, 426.1, 114, 223; D3/218,
D3/215, 201, 207, 208, 212, 247, 232;
D16/242, 245, 208, 206, 218, 219, 243,
D16/237; D8/349, 363, 306, 307, 352,
D8/401, 373; D2/624, 625, 627, 635,
(Continued)

(56) **References Cited**

U.S. PATENT DOCUMENTS

D705,211 S * 5/2014 Huang D14/253
D858,509 S * 9/2019 Yao D14/253
D859,393 S * 9/2019 Dang D14/253

(Continued)

Primary Examiner — Ramzi Almatrahi

Assistant Examiner — Charles Cunningham

(74) *Attorney, Agent, or Firm* — Westbridge IP LLC

(57) **CLAIM**

The ornamental design for a mobile phone support, as shown and described.

DESCRIPTION

FIG. 1 is a front elevation view of a first embodiment of a mobile phone support showing our new design;

FIG. 2 is a rear elevation view of the first embodiment thereof;

FIG. 3 is a left side elevation view of the first embodiment thereof;

FIG. 4 is a right side elevation view of the first embodiment thereof;

FIG. 5 is a top plan view of the first embodiment thereof;

FIG. 6 is a bottom plan view of the first embodiment thereof;

FIG. 7 is a top, front, and right side perspective view of the first embodiment thereof;

FIG. 8 is a top, rear, and left side perspective view of the first embodiment thereof;

FIG. 9 is a front elevation view of a second embodiment of the mobile phone support showing our new design;

FIG. 10 is a rear elevation view of the second embodiment thereof;

FIG. 11 is a left side elevation view of the second embodiment thereof;

FIG. 12 is a right side elevation view of the second embodiment thereof;

FIG. 13 is a top plan view of the second embodiment thereof;

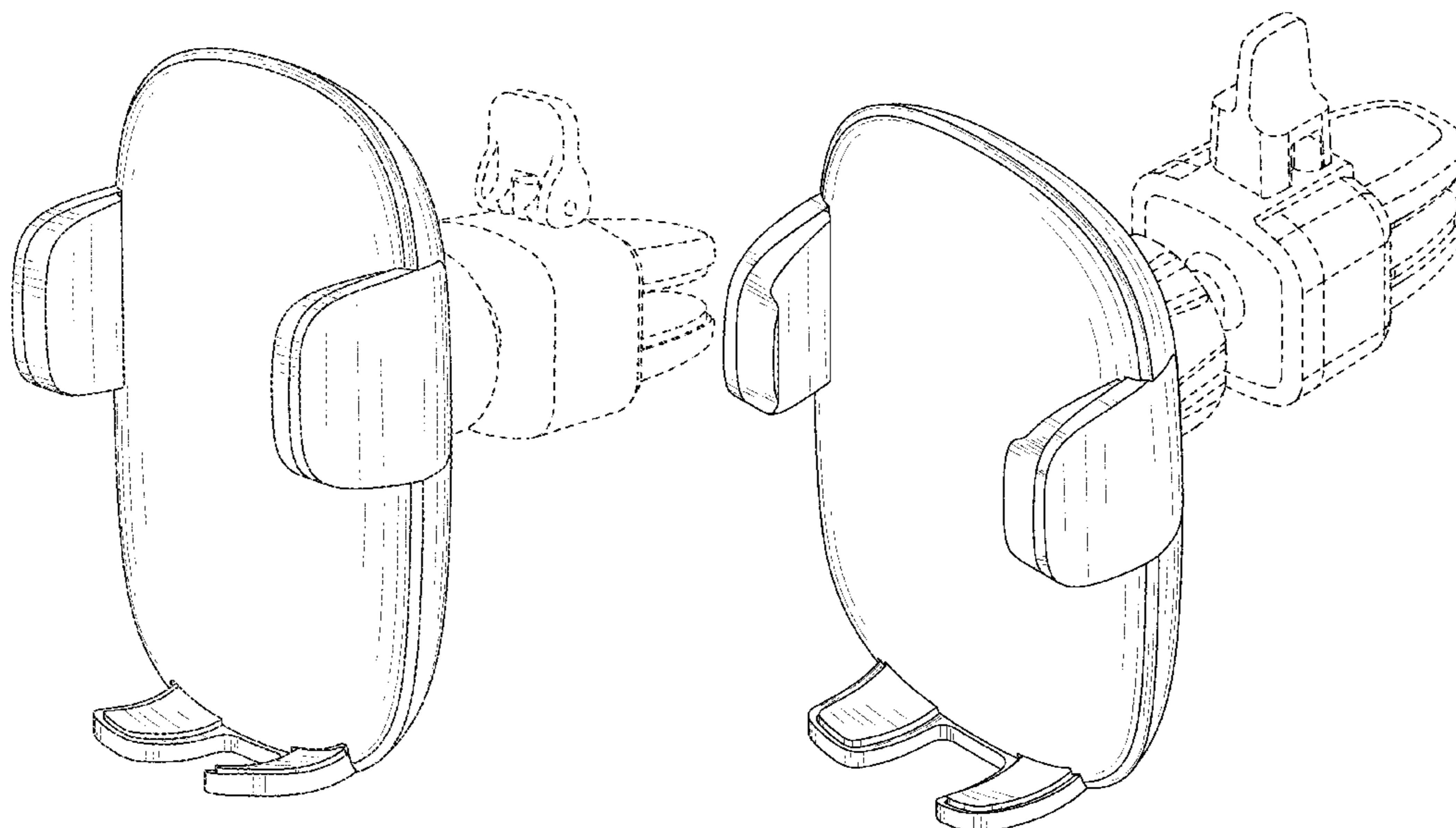
FIG. 14 is a bottom plan view of the second embodiment thereof;

FIG. 15 is a top, front, and right side perspective view of the second embodiment thereof; and,

FIG. 16 is a bottom, rear, and left side perspective view of the second embodiment thereof.

The evenly broken lines in the drawings illustrate portions of the mobile phone support that form no part of the claimed design.

1 Claim, 16 Drawing Sheets



(58) **Field of Classification Search**

USPC D2/632, 999; D7/620, 619.1, 602, 701;
D6/553, 512
CPC ... A45C 11/00; A45F 5/00; A45F 5/10; A45F
5/02; A45F 2200/0516; A45F 2200/0525;
A45F 2200/0533; A45F 2200/0508; A45F
2005/008; A47G 23/0216; B60R 11/00;
B60R 11/02; B60R 11/0241; B60R
11/0252; B60R 2011/0005; B60R
2011/0008; F16B 2/06; F16B 47/006;
F16M 11/00; F16M 11/04; F16M 11/06;
F16M 11/2021; F16M 11/38; F16M
11/046; F16M 11/08; F16M 11/16; F16M
11/041; F16M 11/2014; F16M 11/12;
F16M 11/18; F16M 11/205; F16M
11/2035; F16M 11/2007; F16M 13/00;
F16M 11/10; F16M 11/14; F16C 11/045;
G03B 17/561; G03B 17/563; H04M 1/02;
H04M 1/04; H04M 1/11; H04M 1/15;
H04M 1/026; H04M 1/0266; H04M

1/0281; H04M 1/0202; H04M 1/6041;
H04B 1/3877; H04B 1/3888; H04B
1/385; H01F 7/0252; H05K 5/0204;
H04R 1/1033; E05D 3/02

See application file for complete search history.

(56)

References Cited

U.S. PATENT DOCUMENTS

D861,670	S	*	10/2019	Li	D14/253
D872,014	S	*	1/2020	Zhang	D13/108
D875,090	S	*	2/2020	Leeds-Frank	D14/253
D877,066	S	*	3/2020	Zhang	D13/108
D888,703	S	*	6/2020	Liao	D14/253
D894,829	S	*	9/2020	Zhang	D13/108
D895,601	S	*	9/2020	Liao	D14/253
D895,602	S	*	9/2020	Cheng	D14/253
D900,087	S	*	10/2020	Leeds-Frank	D14/253
2019/0283685	A1	*	9/2019	Zhang	F16M 11/04

* cited by examiner

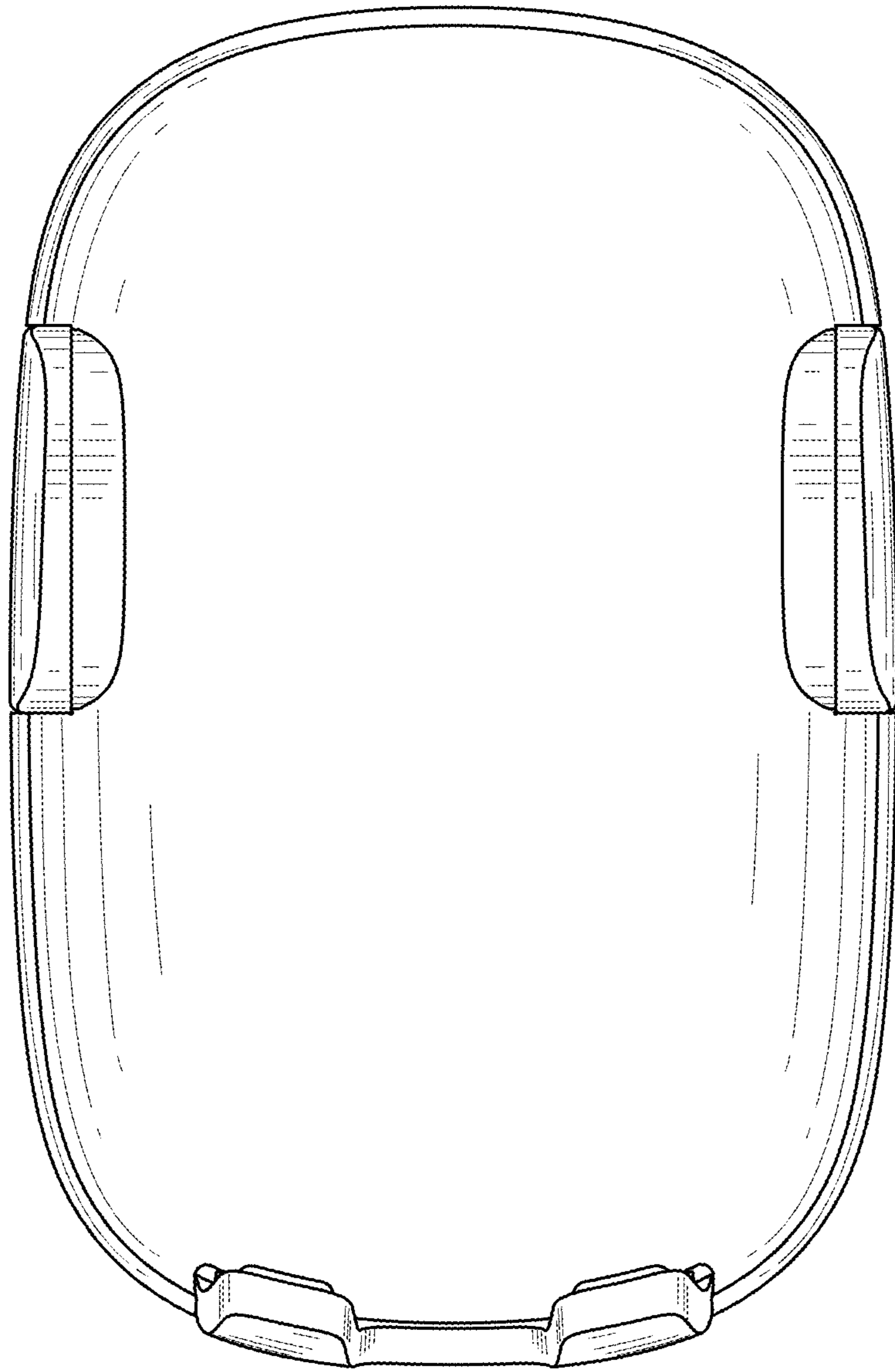


FIG. 1

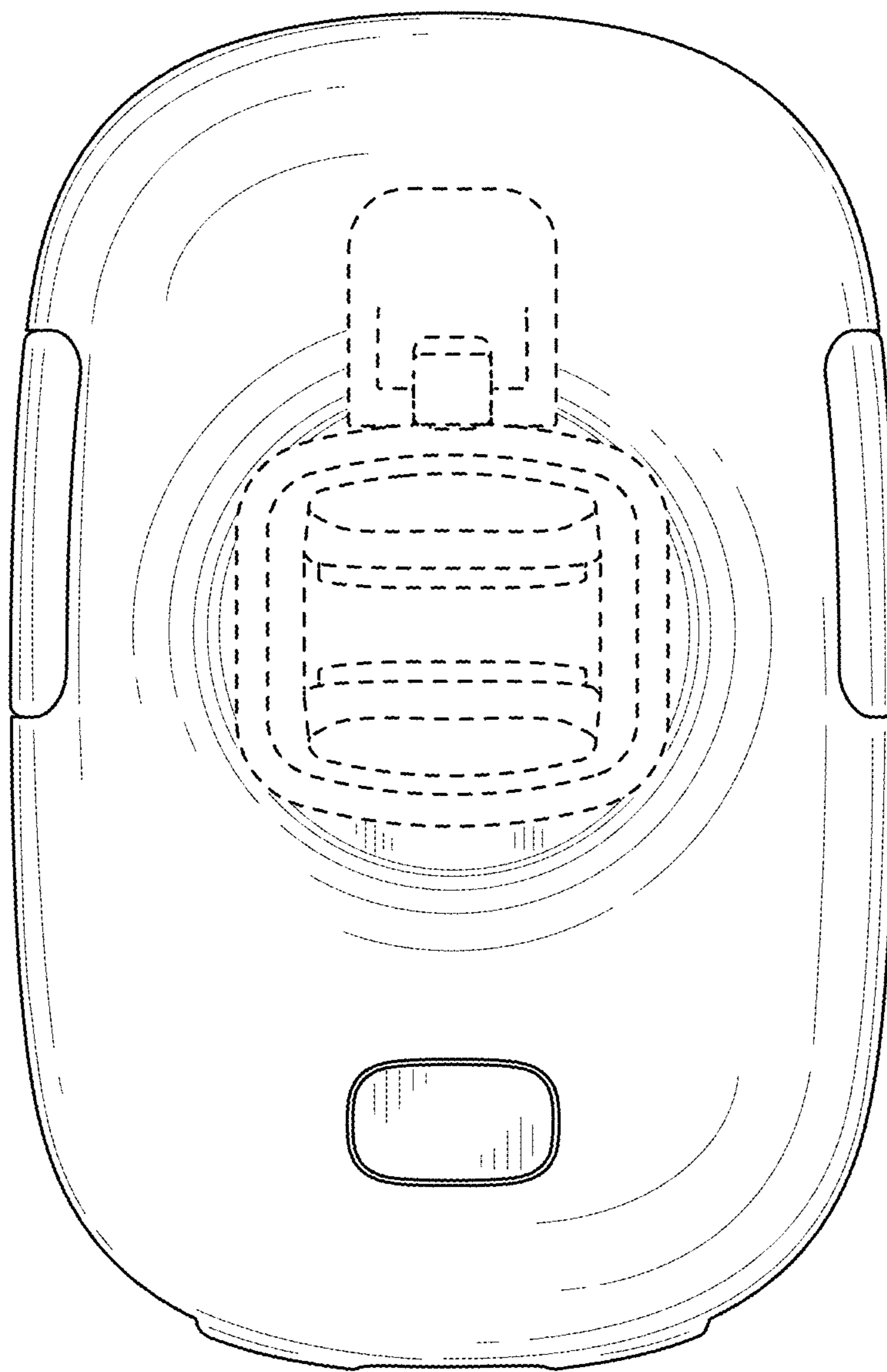


FIG. 2

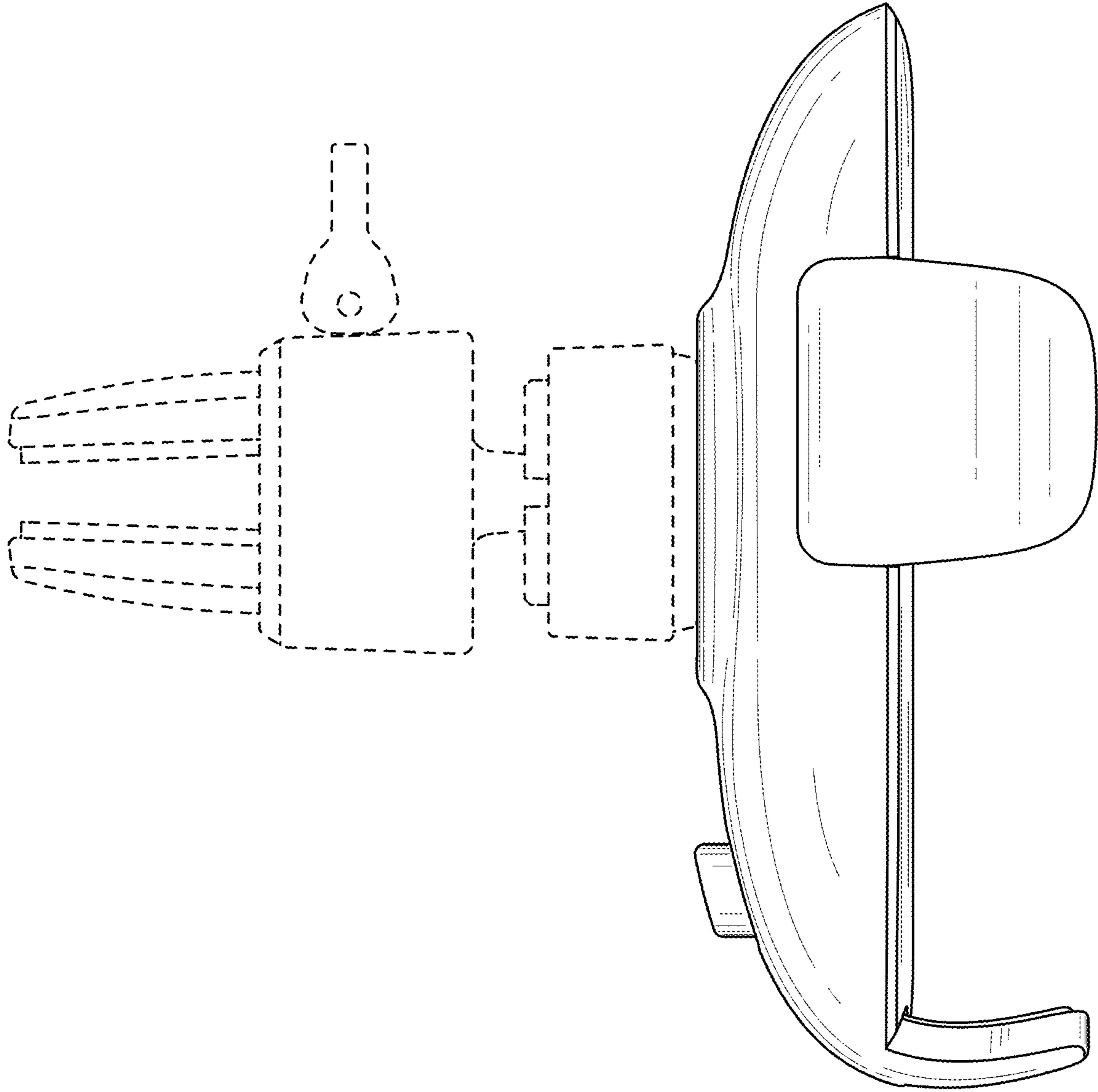


FIG. 3

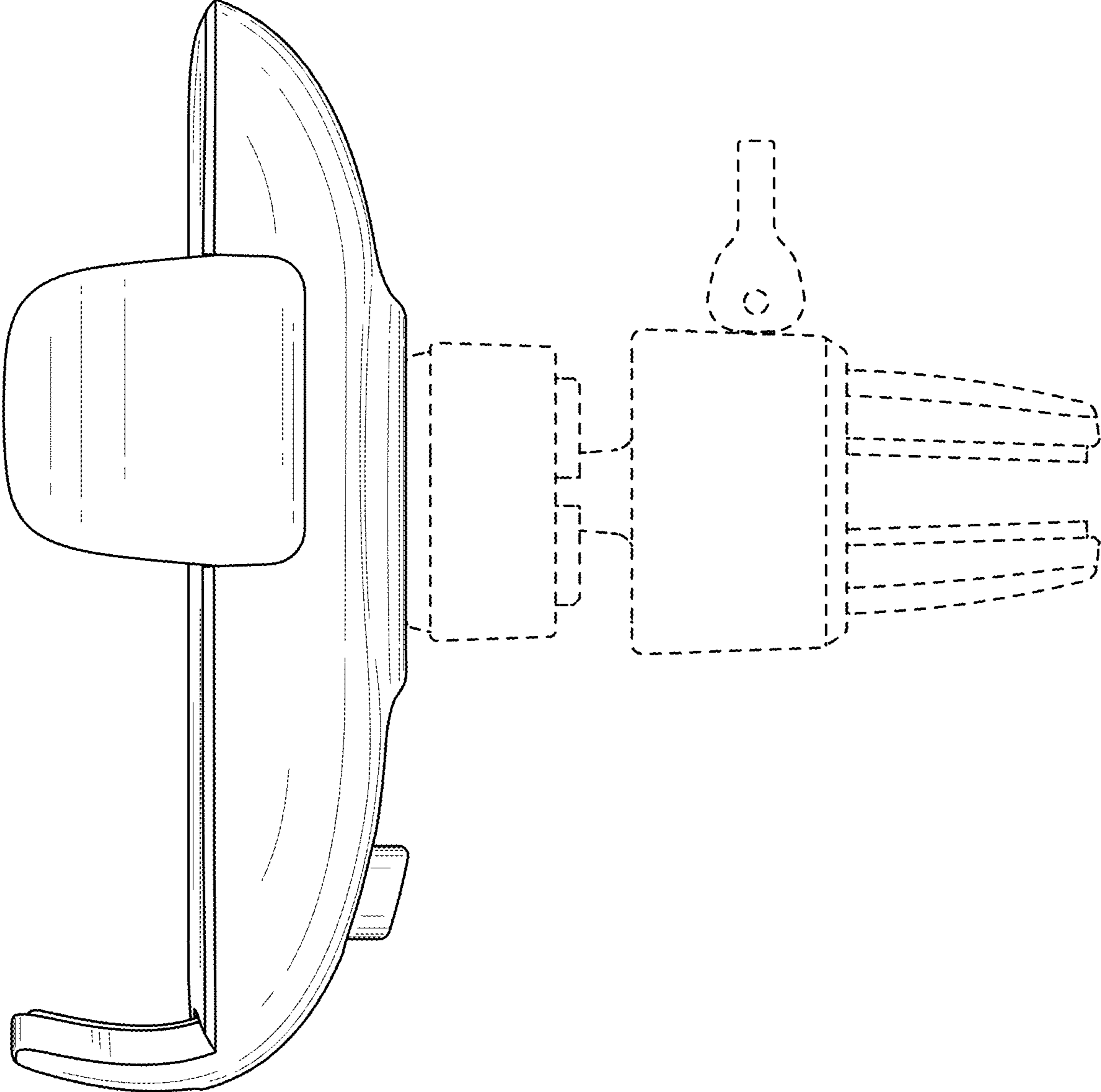


FIG. 4

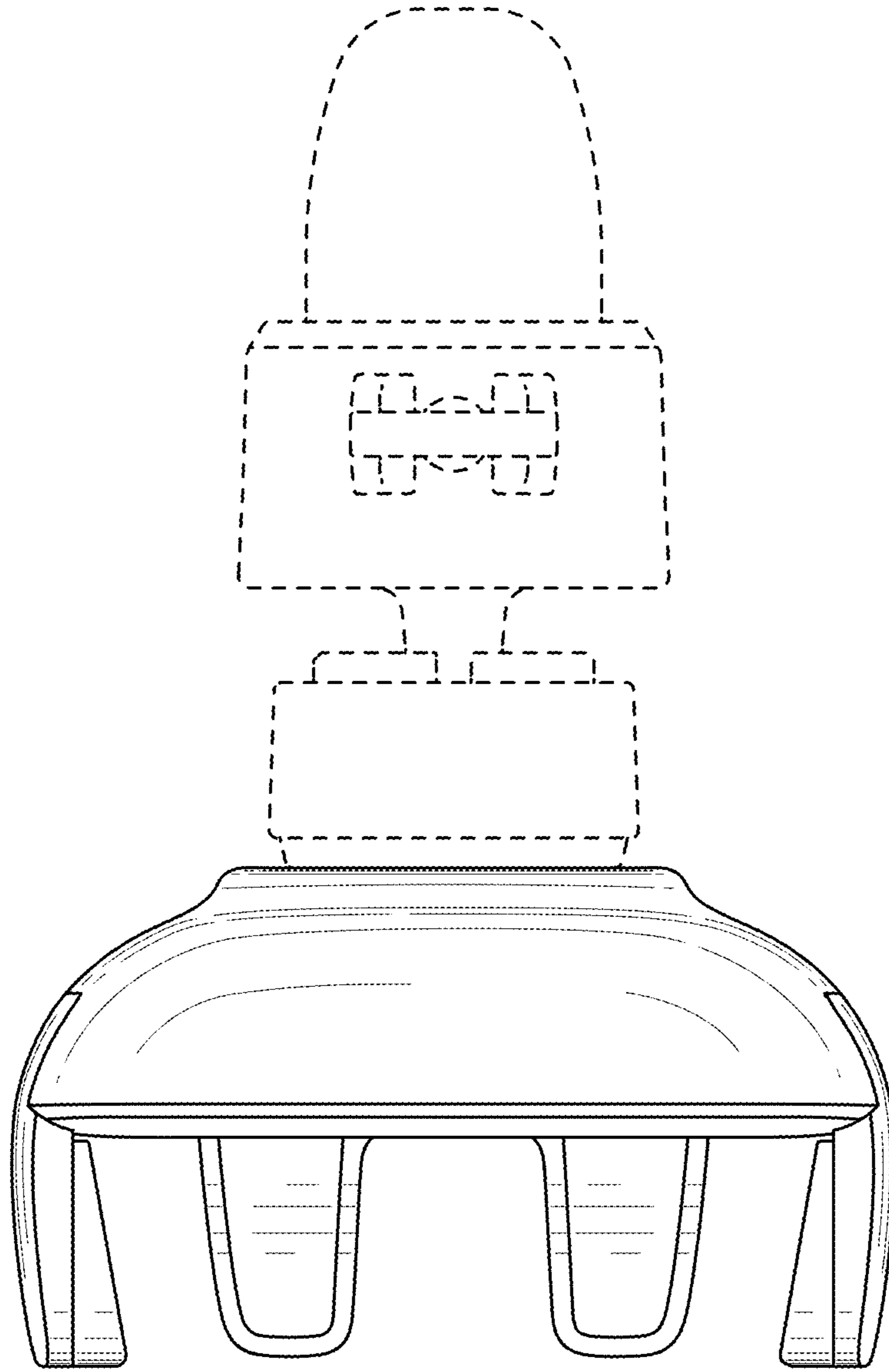


FIG. 5

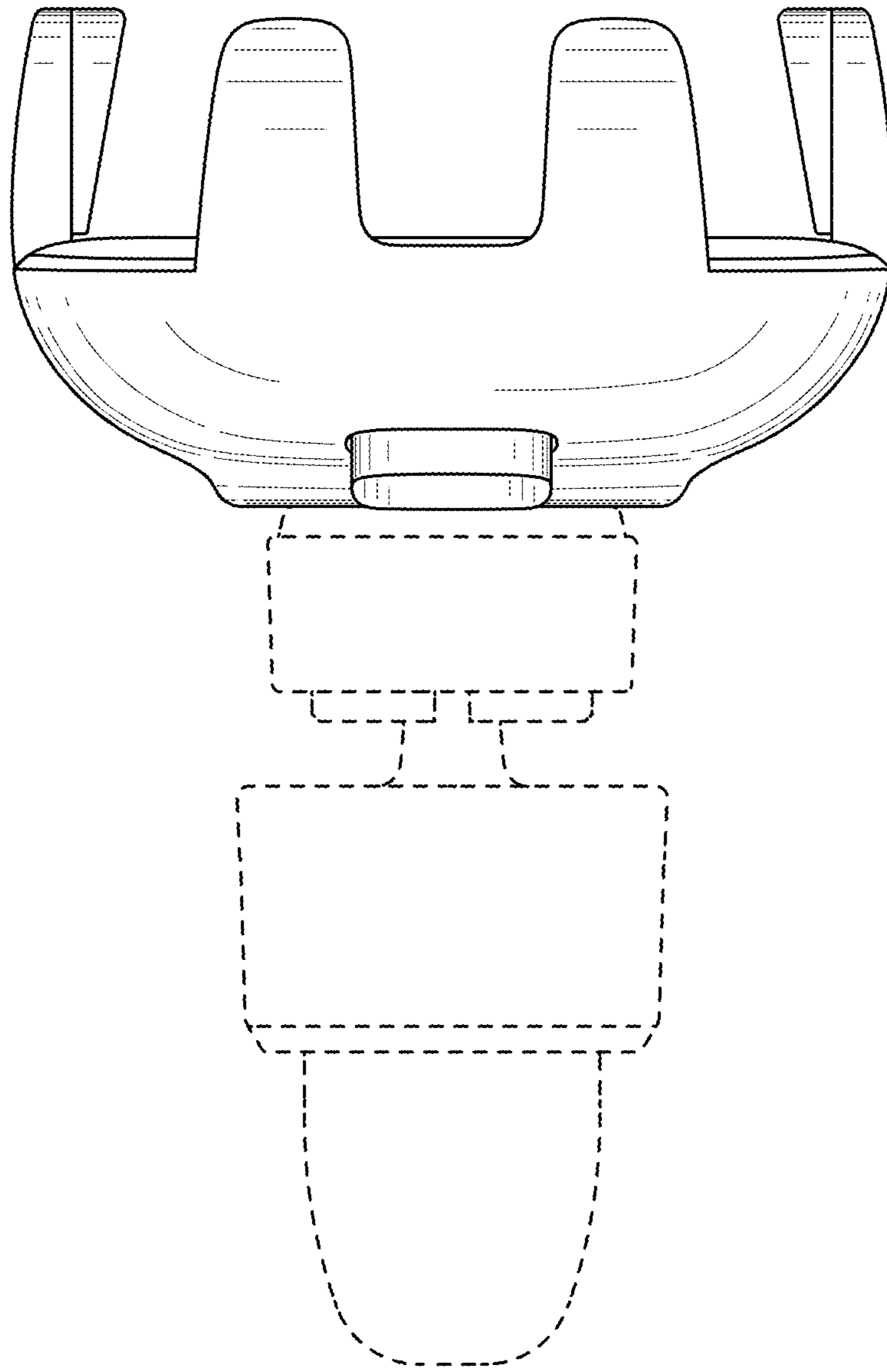


FIG. 6

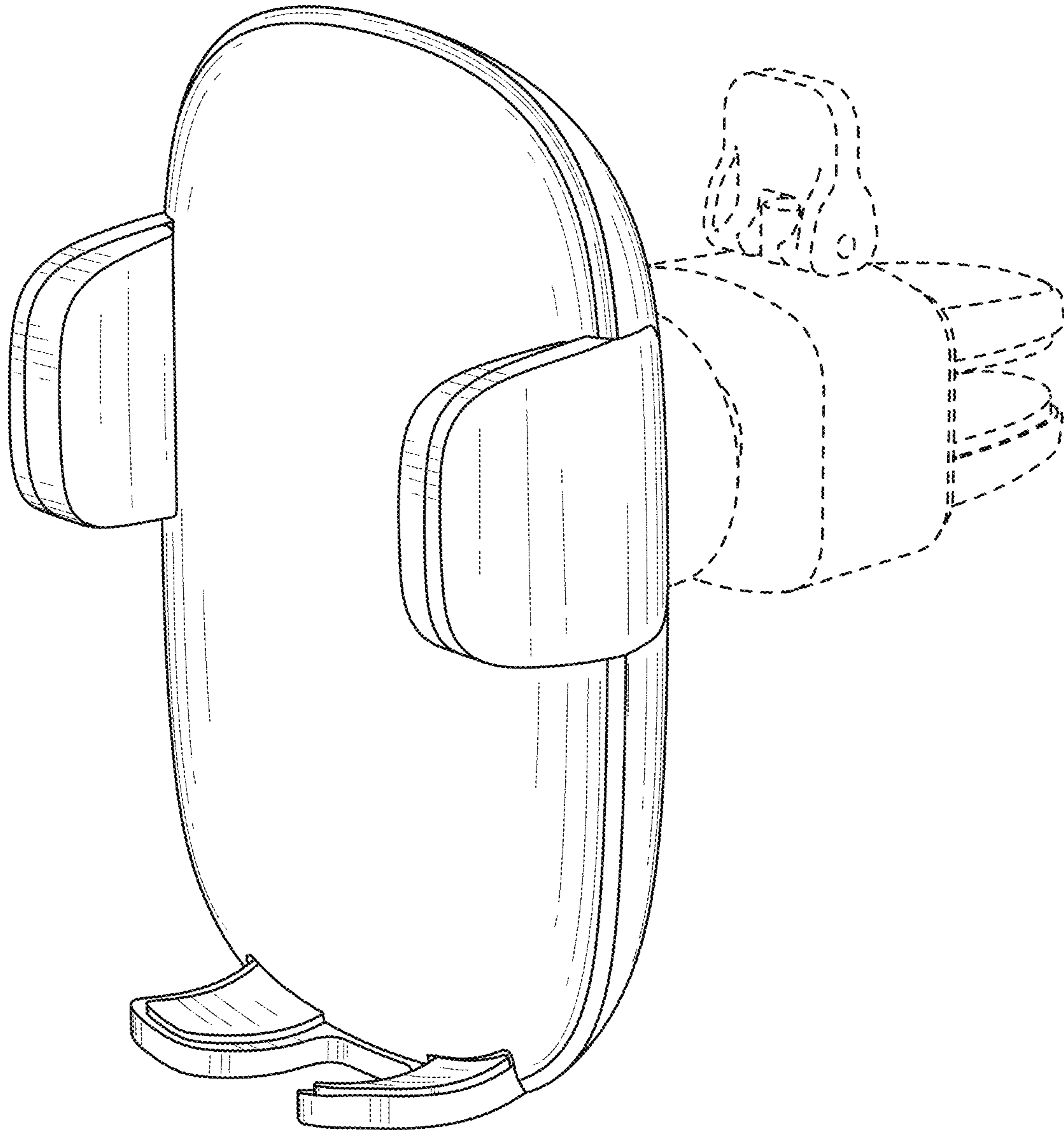


FIG. 7

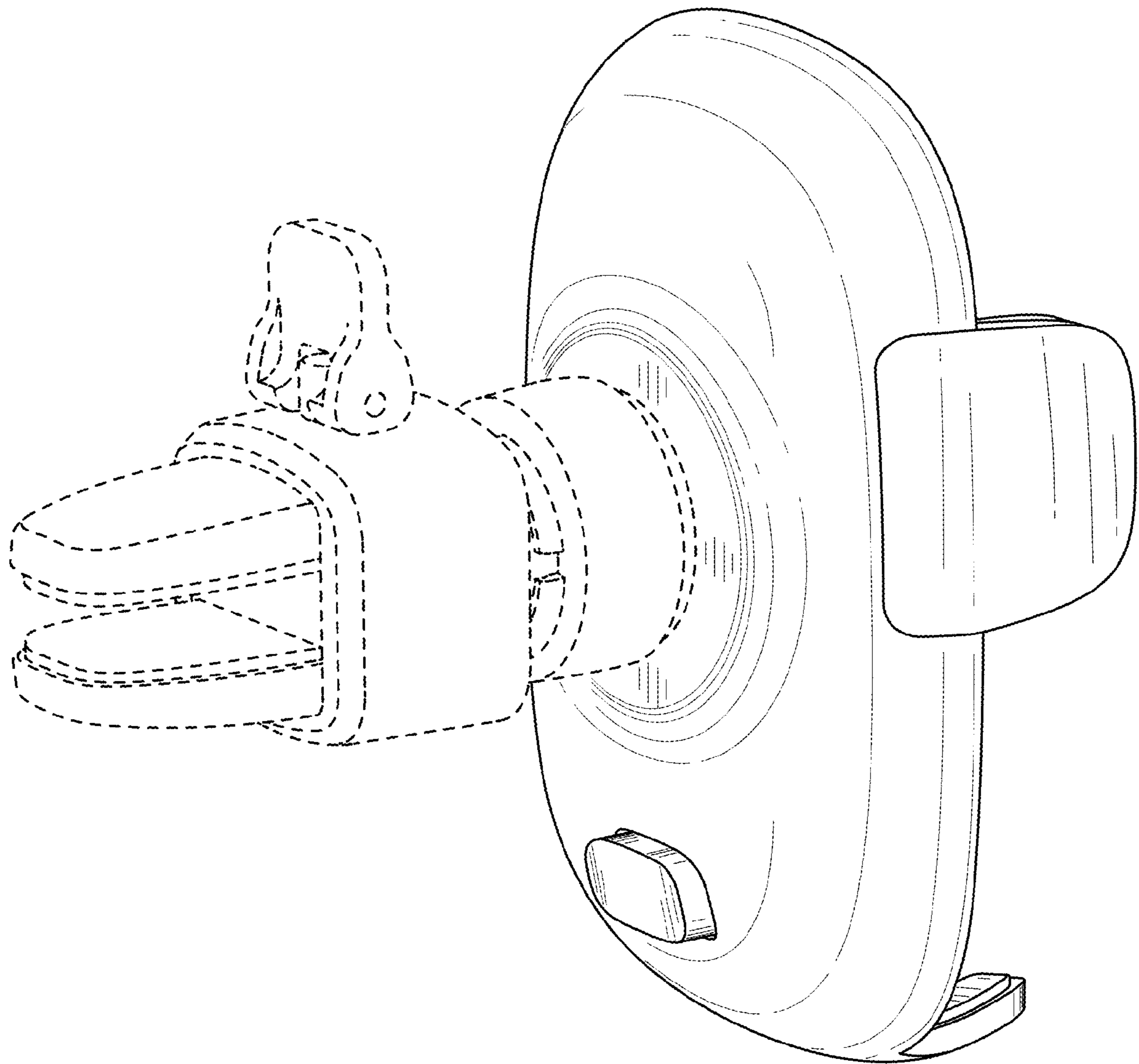


FIG. 8

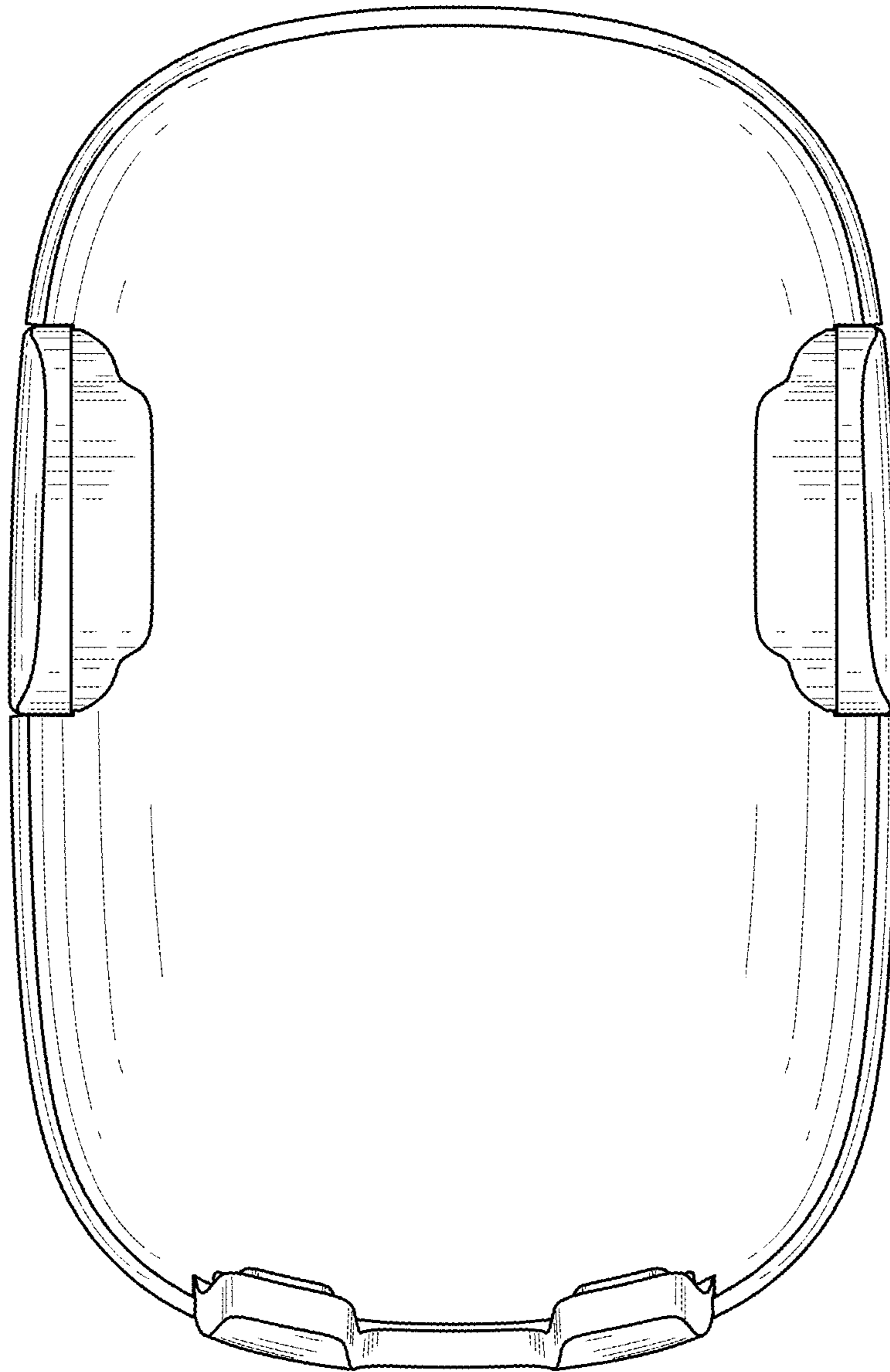


FIG. 9

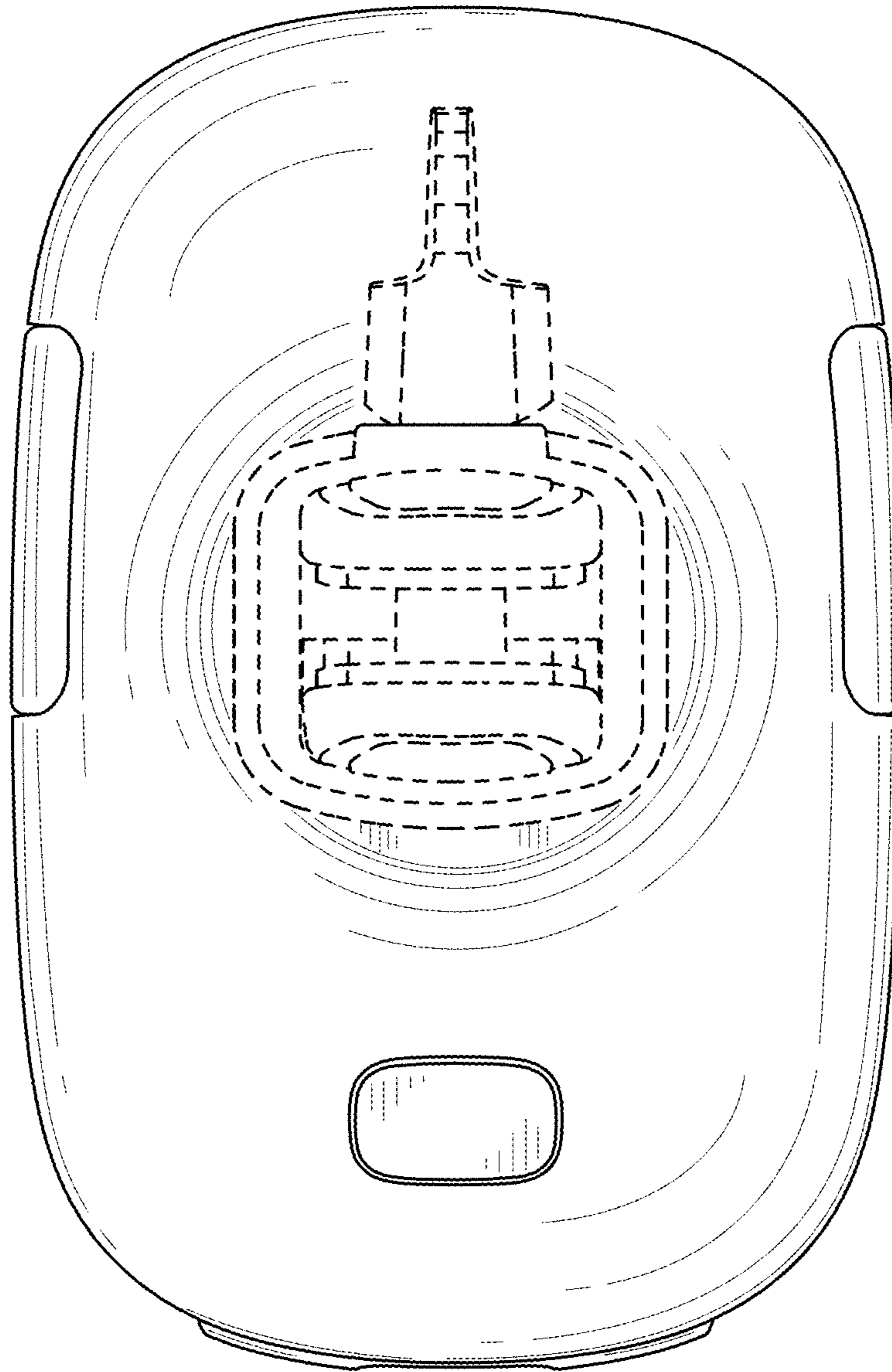


FIG. 10

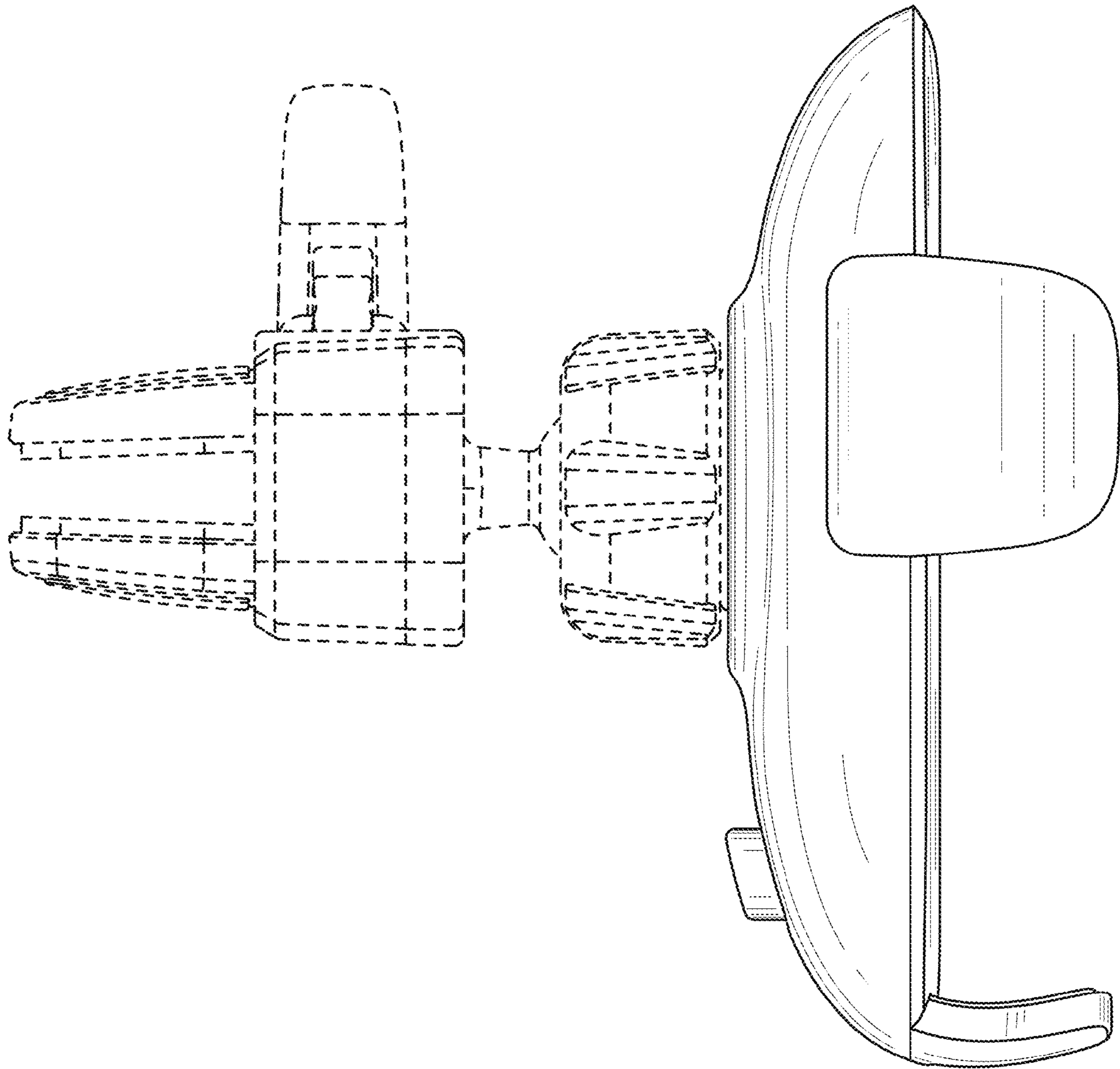


FIG. 11

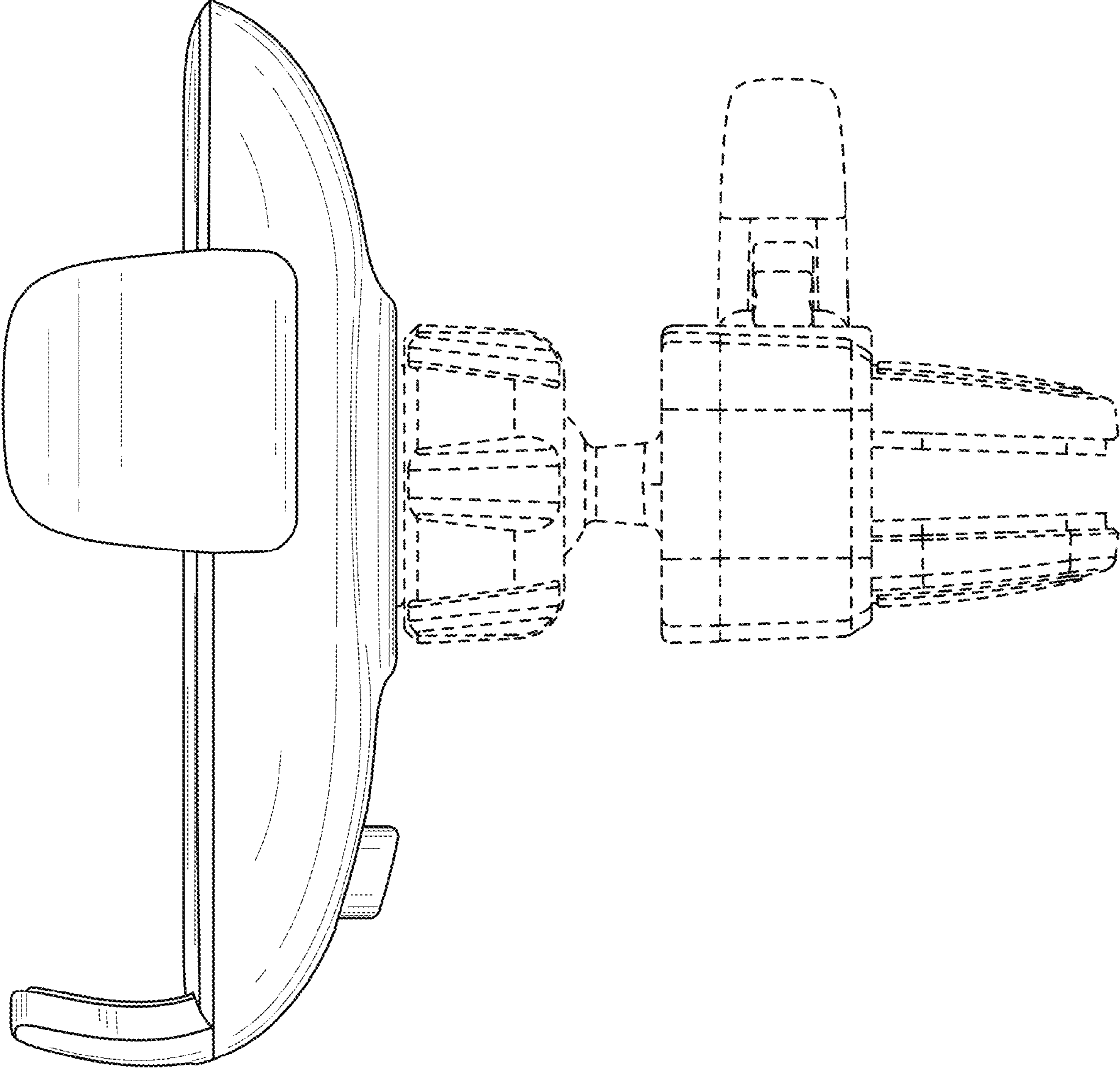


FIG. 12

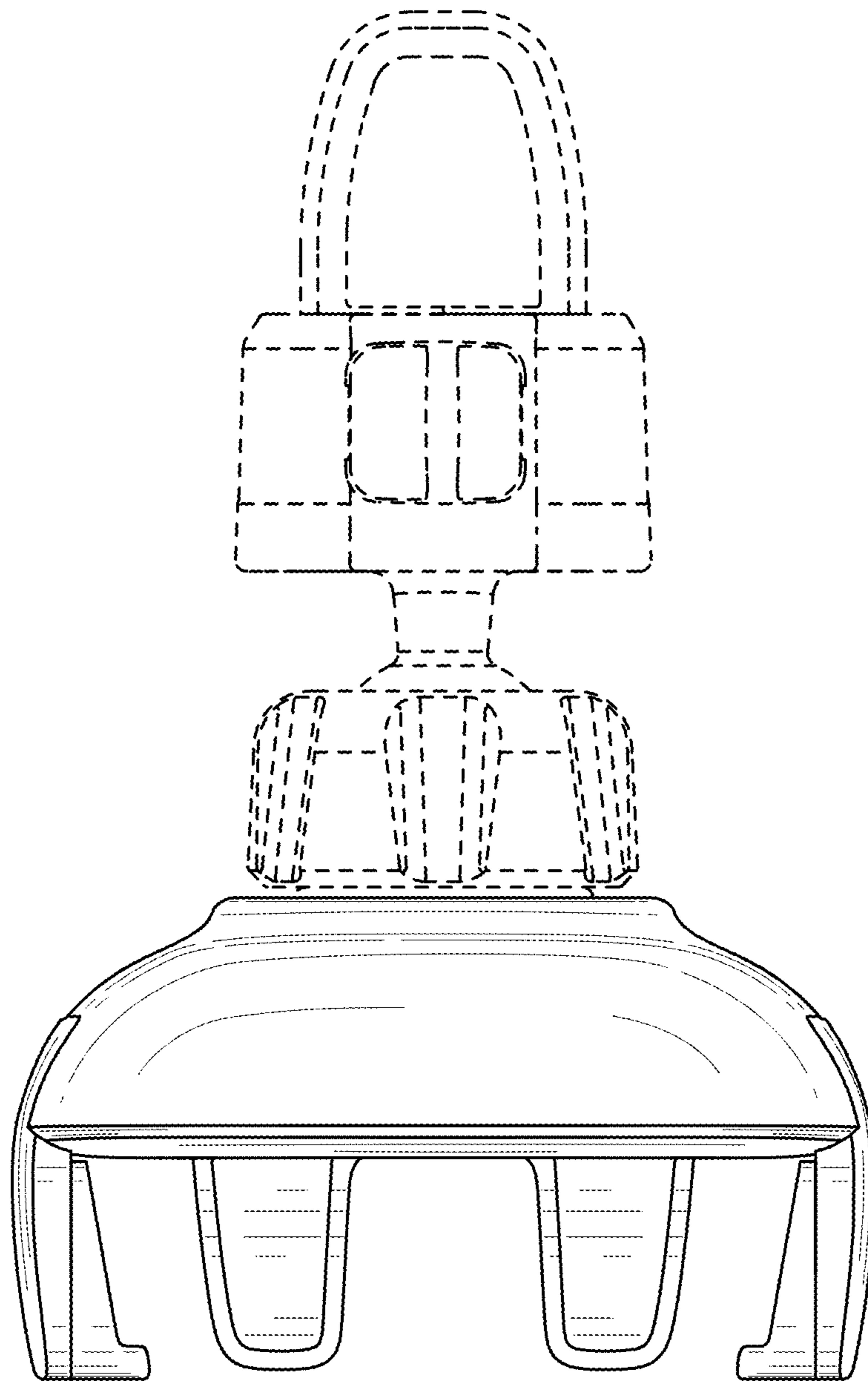


FIG. 13

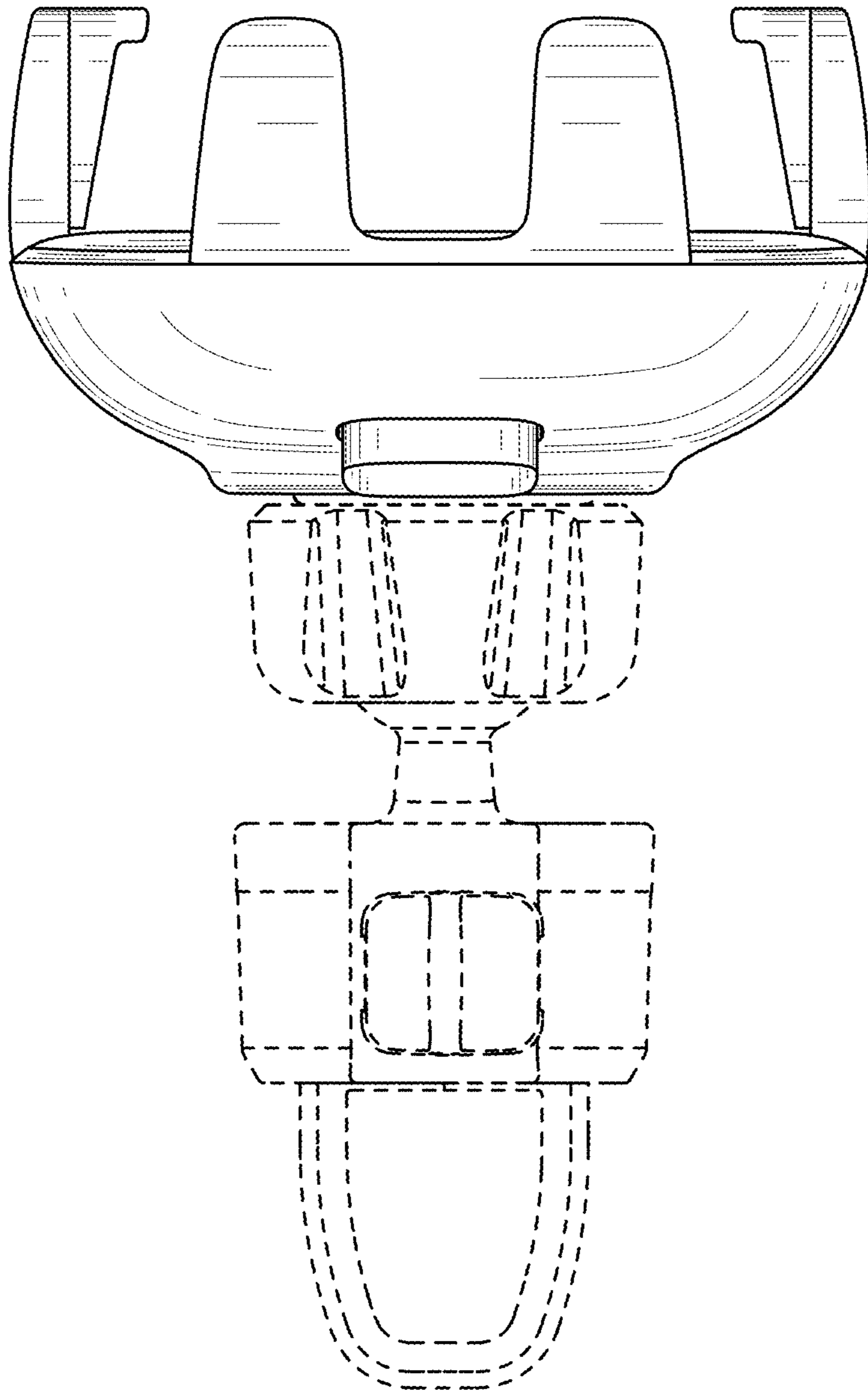


FIG. 14

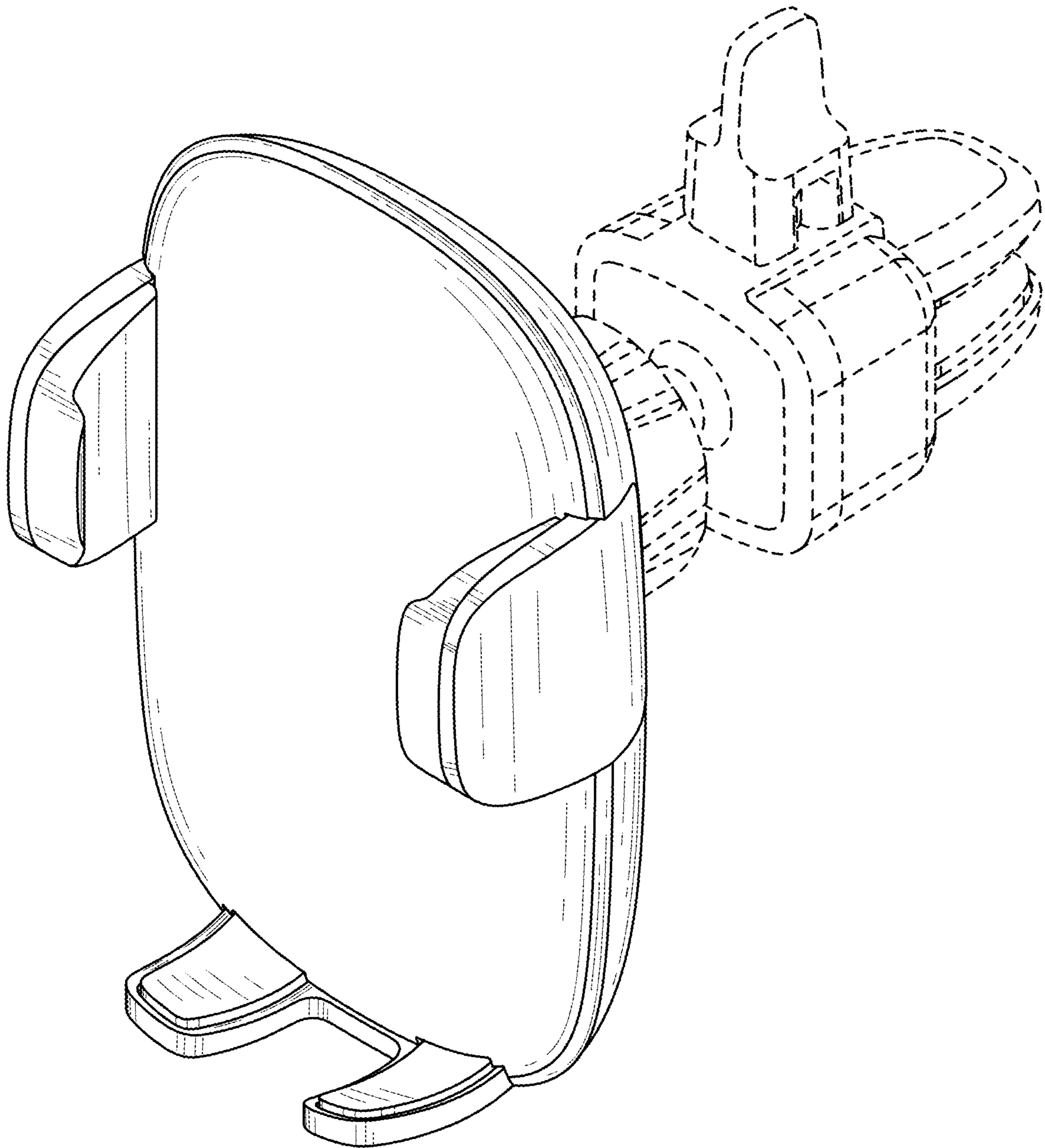


FIG. 15

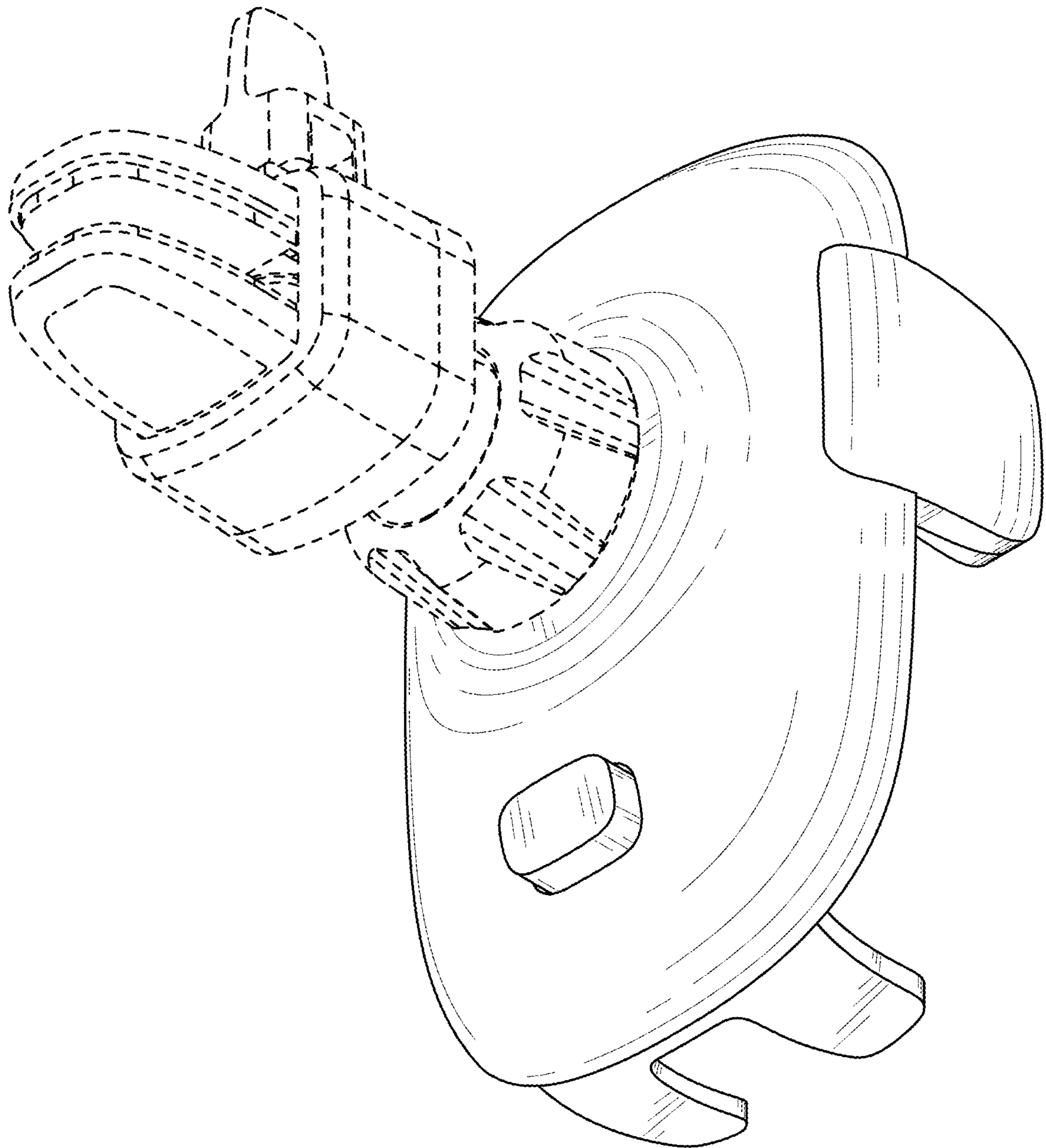


FIG. 16