



US00D928139S

(12) **United States Design Patent** (10) **Patent No.:** **US D928,139 S**  
**Wang et al.** (45) **Date of Patent:** **\*\* Aug. 17, 2021**

(54) **MOBILE PHONE SUPPORT**

11/045; G03B 17/561; G03B 17/563;  
H04M 1/02; H04M 1/04; H04M 1/11;  
H04M 1/15;

(71) Applicant: **Aukey Technology Co., Ltd**, Shenzhen (CN)

(Continued)

(72) Inventors: **Yang Wang**, Shenzhen (CN); **Haizhuan Lu**, Shenzhen (CN)

(56)

**References Cited**

(73) Assignee: **Aukey Technology Co., Ltd**, Shenzhen (CN)

U.S. PATENT DOCUMENTS

(\*\*) Term: **15 Years**

D554,042 S \* 10/2007 Richter ..... D12/415  
D619,586 S \* 7/2010 Richter ..... D14/447

(Continued)

(21) Appl. No.: **29/715,021**

OTHER PUBLICATIONS

(22) Filed: **Nov. 27, 2019**

Mpow Magnetic Windshield & Dashboard Car Phone Mount, announced Nov. 29, 2018, amazon.com , [online], [site visited Dec. 18, 2020], Available from internet URL: <https://www.amazon.com/Mpow-Magnetic-Windshield-Dashboard-Compatible/dp/B07KXM5FN> F/?tag=androidcentralb-20& ascsubtag=UUacUdUnU6%E2%80%A6 (Year: 2018).\*

(51) **LOC (13) Cl.** ..... **14-03**

(52) **U.S. Cl.**

USPC ..... **D14/253**

(58) **Field of Classification Search**

USPC ..... D14/251–253, 447, 452, 432–434, 440, D14/439, 254, 217, 224, 224.1, 238.1, D14/299, 451, 483, 250, 458; D12/415–426, 426.1, 114, 223; D3/218, D3/215, 201, 207, 208, 212, 247, 232; D16/242, 245, 208, 206, 218, 219, 243, D16/237; D8/349, 363, 306, 307, 352, D8/401, 373; D2/624, 625, 627, 635, D2/632, 999; D7/620, 619.1, 602, 701; D6/553, 512

CPC ... A45C 11/00; A45F 5/00; A45F 5/10; A45F 5/02; A45F 2200/0516; A45F 2200/0525; A45F 2200/0533; A45F 2200/0508; A45F 2005/008; A47G 23/0216; B60R 11/00; B60R 11/02; B60R 11/0241; B60R 11/0252; B60R 2011/0005; B60R 2011/0008; F16M 11/00; F16M 11/04; F16M 11/06; F16M 11/2021; F16M 11/38; F16M 11/046; F16M 11/08; F16M 11/16; F16M 11/041; F16M 11/2014; F16M 11/12; F16M 11/18; F16M 11/205; F16M 11/2035; F16M 11/2007; F16M 11/14; F16M 13/00; F16M 11/10; F16C

*Primary Examiner* — Ramzi Almatrahi

*Assistant Examiner* — Charles Cunningham

(74) *Attorney, Agent, or Firm* — Westbridge IP LLC

(57)

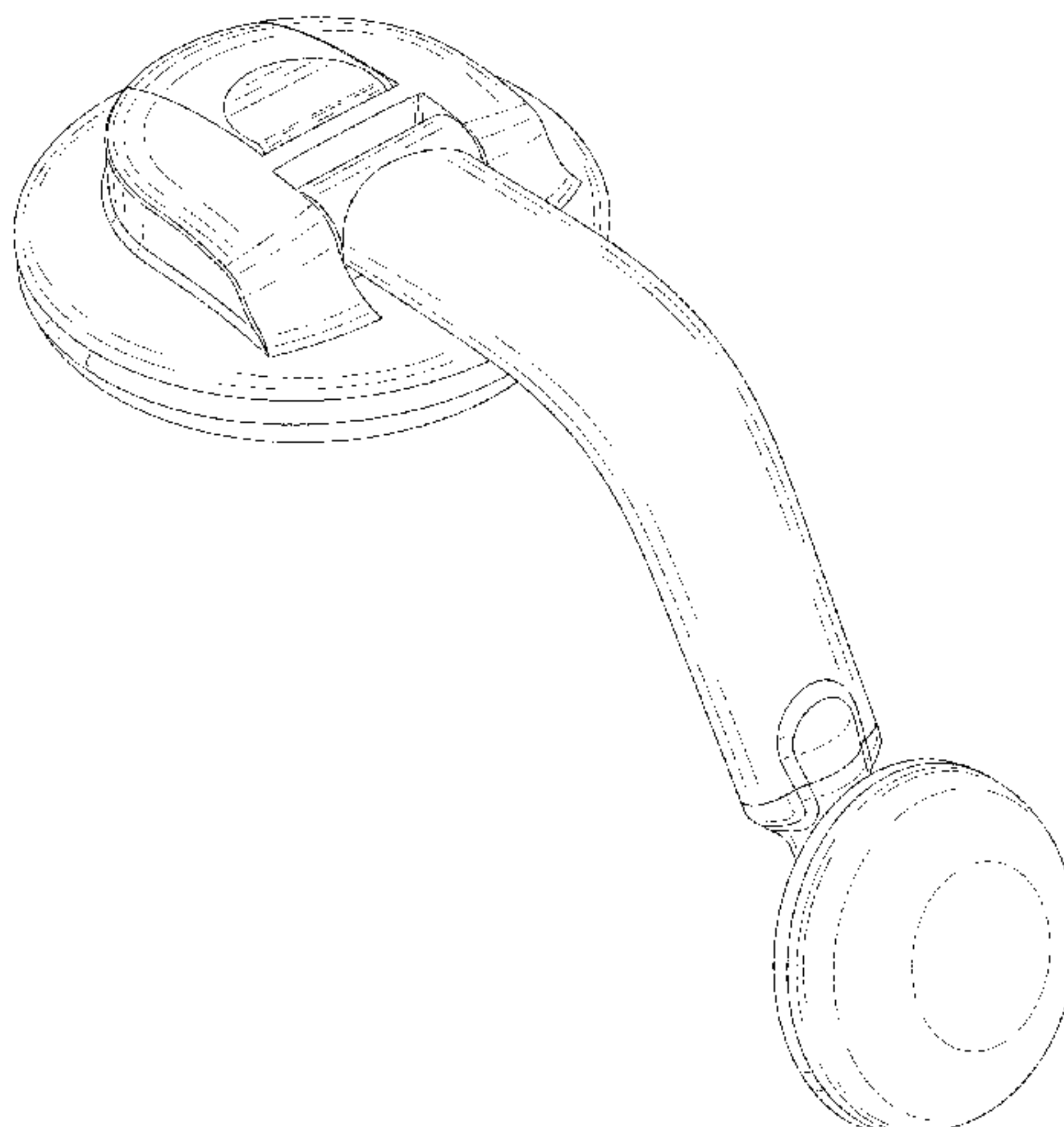
**CLAIM**

The ornamental design for a mobile phone support, as shown and described.

**DESCRIPTION**

FIG. 1 is a front elevation view of a mobile phone support showing our new design;  
FIG. 2 is a rear elevation view thereof;  
FIG. 3 is a left side elevation view thereof;  
FIG. 4 is a right side elevation view thereof;  
FIG. 5 is a top plan view thereof;  
FIG. 6 is a bottom plan view thereof; and,  
FIG. 7 is a top, rear, and right side perspective view thereof.

(Continued)



The evenly broken lines in the drawings illustrate portions of the mobile phone support that form no part of the claimed design.

**1 Claim, 7 Drawing Sheets**

**(58) Field of Classification Search**

CPC .. H04M 1/026; H04M 1/0266; H04M 1/0281;  
H04M 1/0202; H04M 1/6041; H04B  
1/3877; H04B 1/3888; H04B 1/385;  
H01F 7/0252; H05K 5/0204; H04R  
1/1033; E05D 3/02; F16B 2/06; F16B  
47/006

See application file for complete search history.

**(56) References Cited**

U.S. PATENT DOCUMENTS

D655,282	S	*	3/2012	Richter	.....	D14/253
D709,066	S	*	7/2014	Byun	.....	D14/253
D715,132	S	*	10/2014	McSweyn	.....	D8/363
D730,723	S	*	6/2015	McSweyn	.....	D8/363
D824,378	S	*	7/2018	Sukphisit	.....	D14/253
D879,766	S	*	3/2020	Fan	.....	D14/253
D889,382	S	*	7/2020	Lan	.....	D12/415
D907,627	S	*	1/2021	Li	.....	D14/253
2010/0320341	A1	*	12/2010	Baumann	.....	F16B 47/006 248/206.2
2012/0229300	A1	*	9/2012	Fu	.....	F16M 11/10 340/901
2016/0229352	A1	*	8/2016	Zhang	.....	F16M 11/14

\* cited by examiner

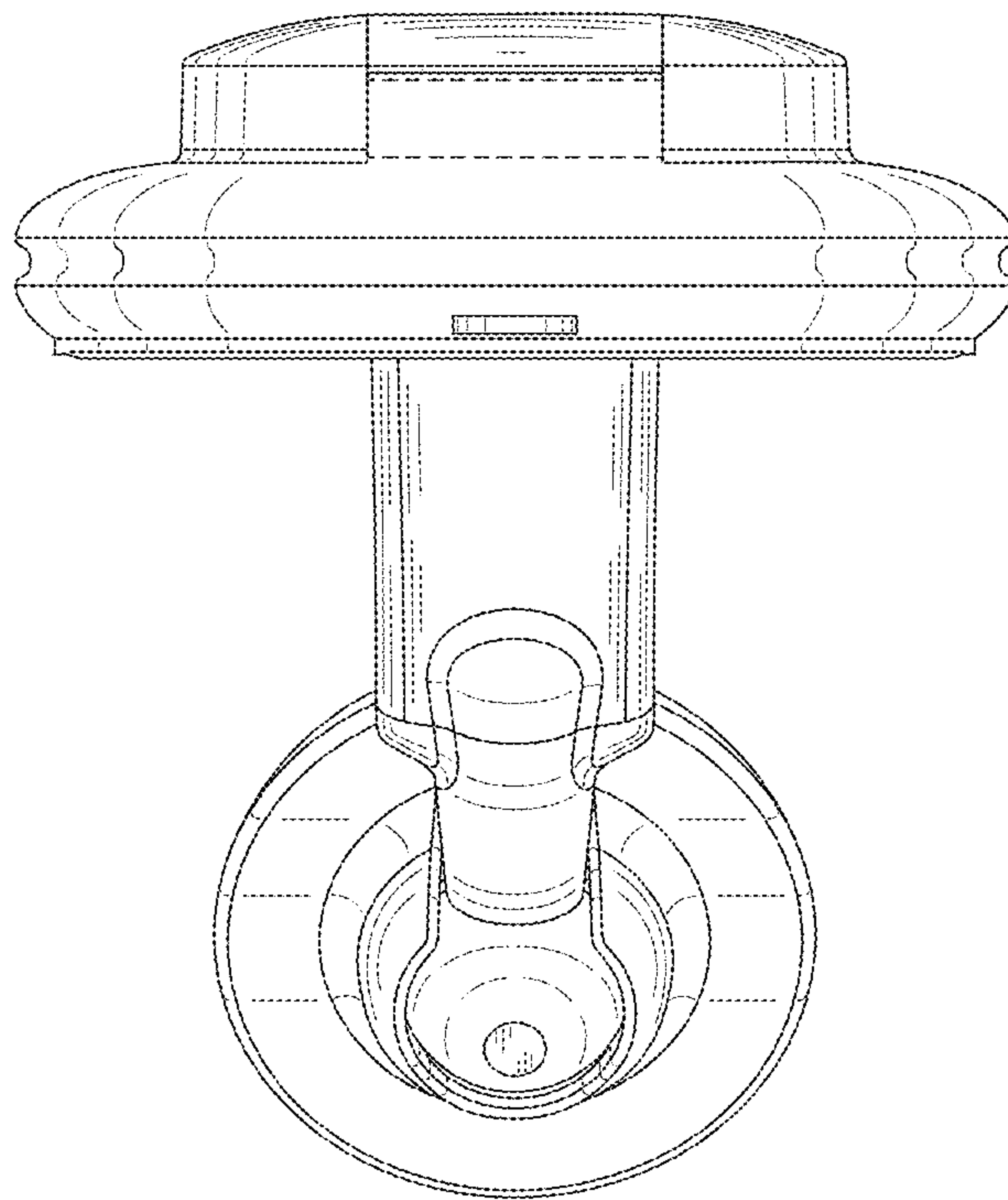


FIG. 1

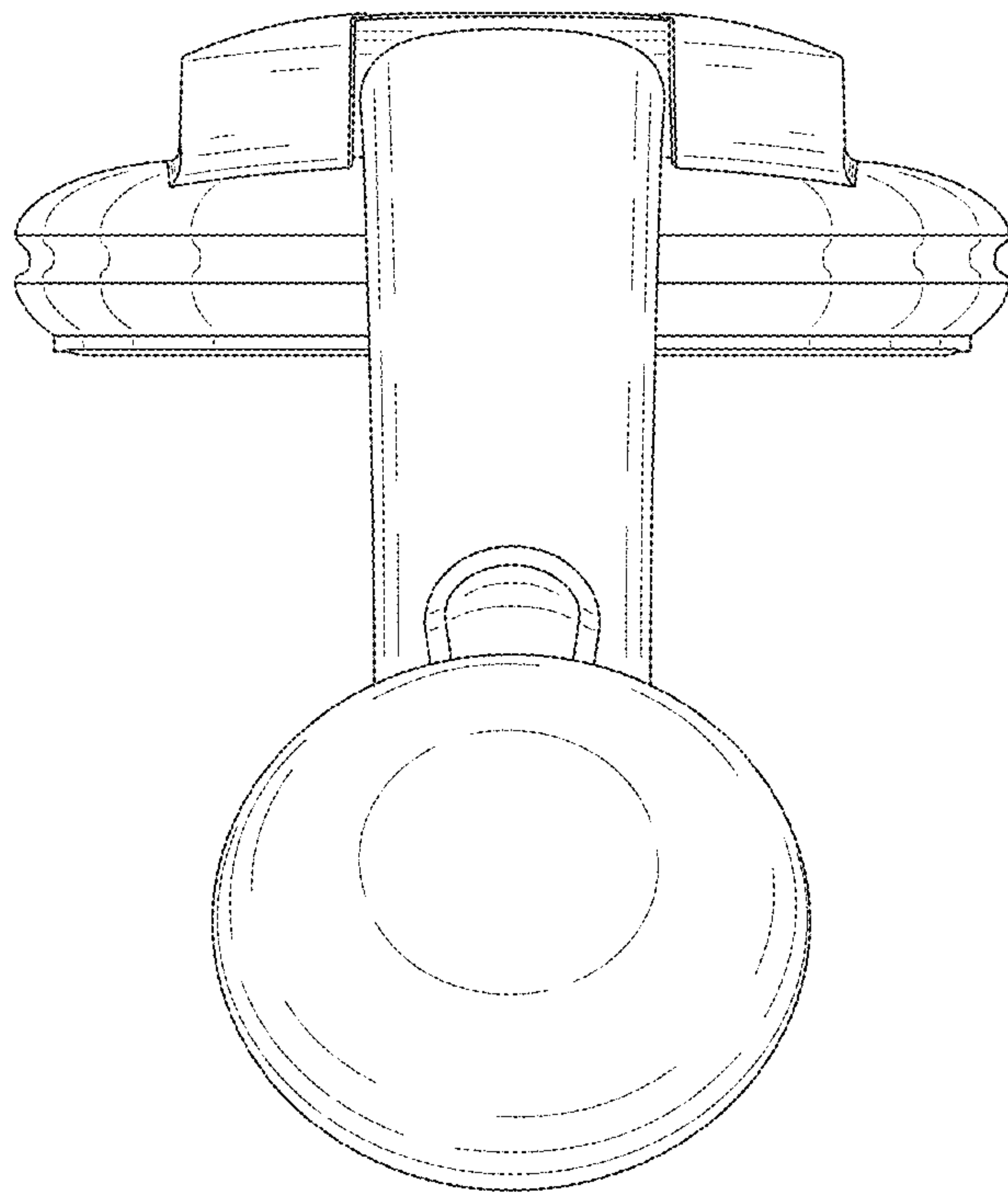


FIG.2

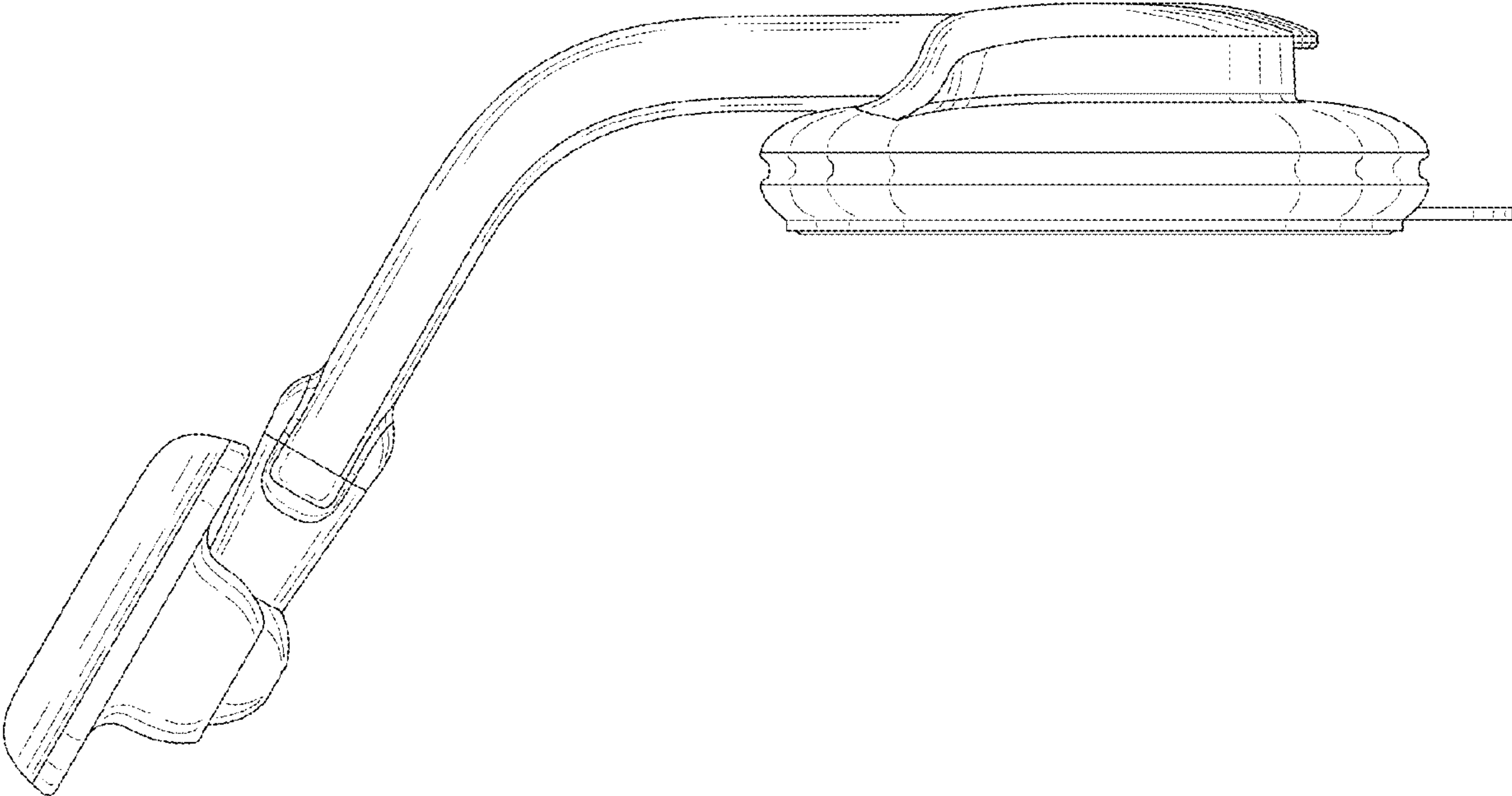


FIG.3

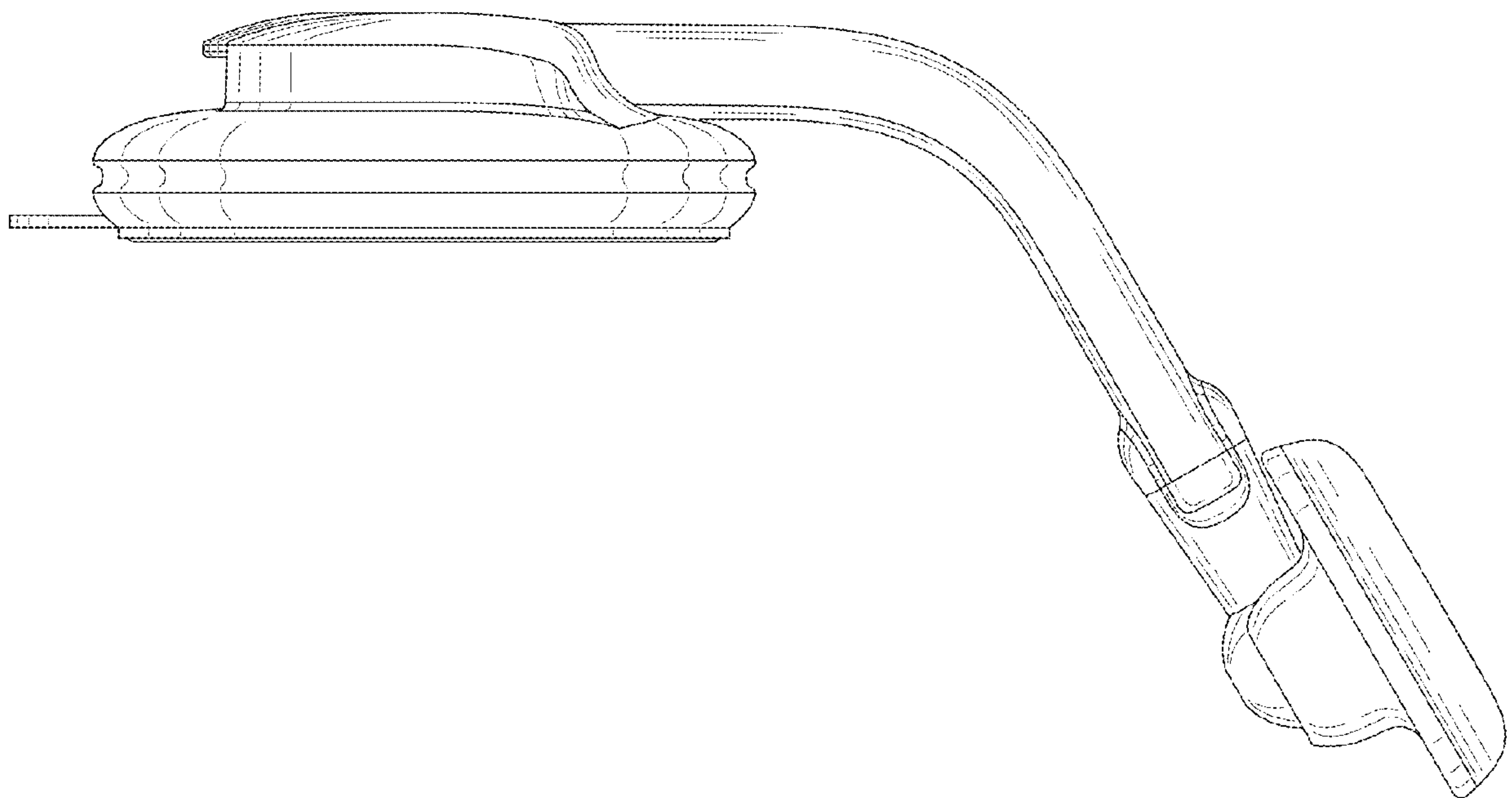


FIG.4



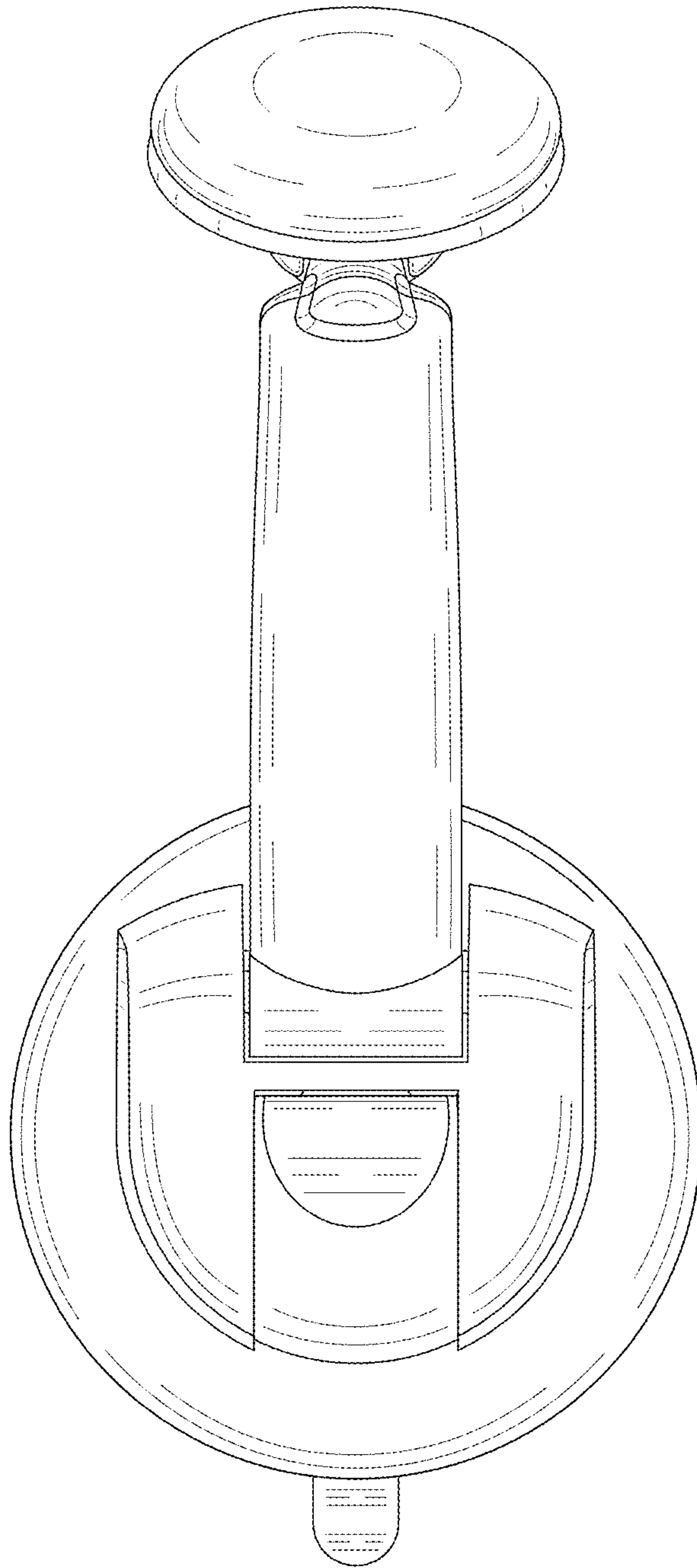


FIG.5

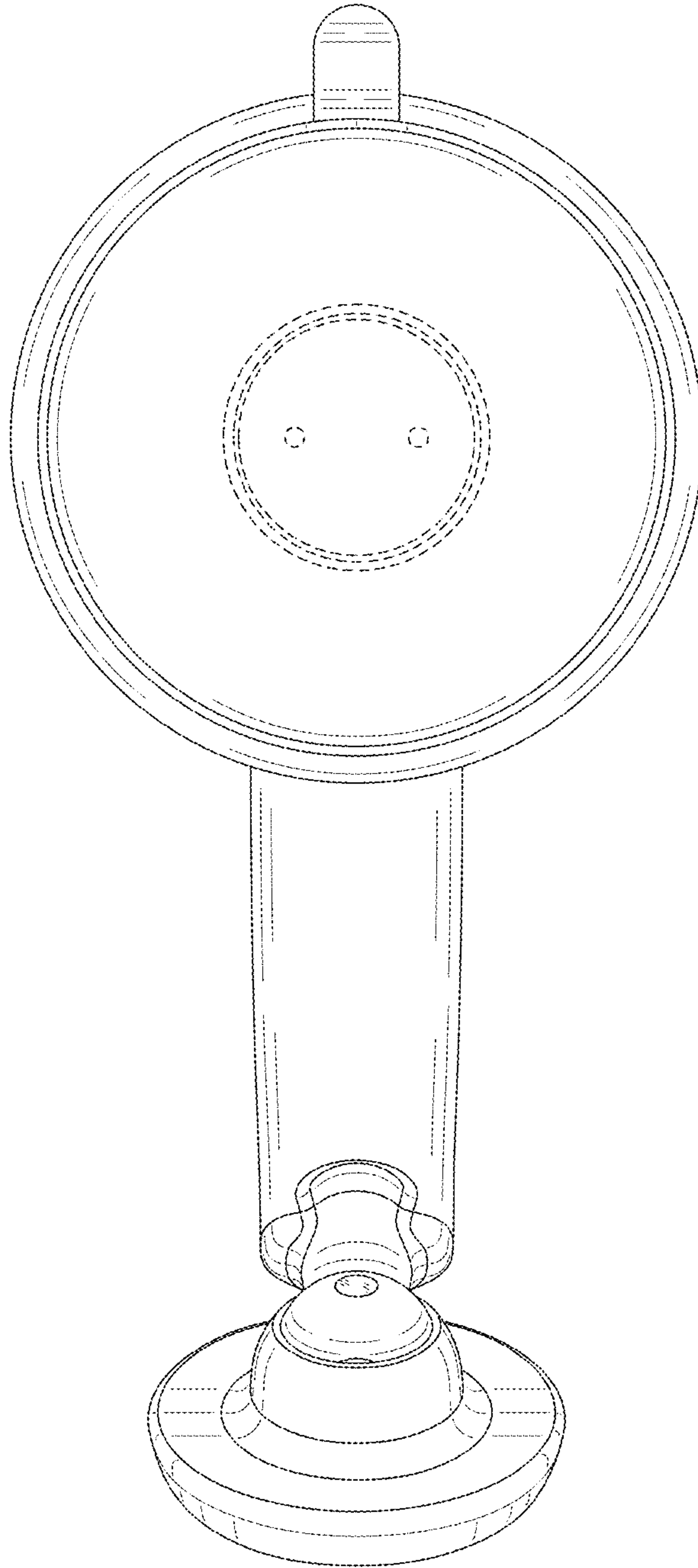


FIG.6



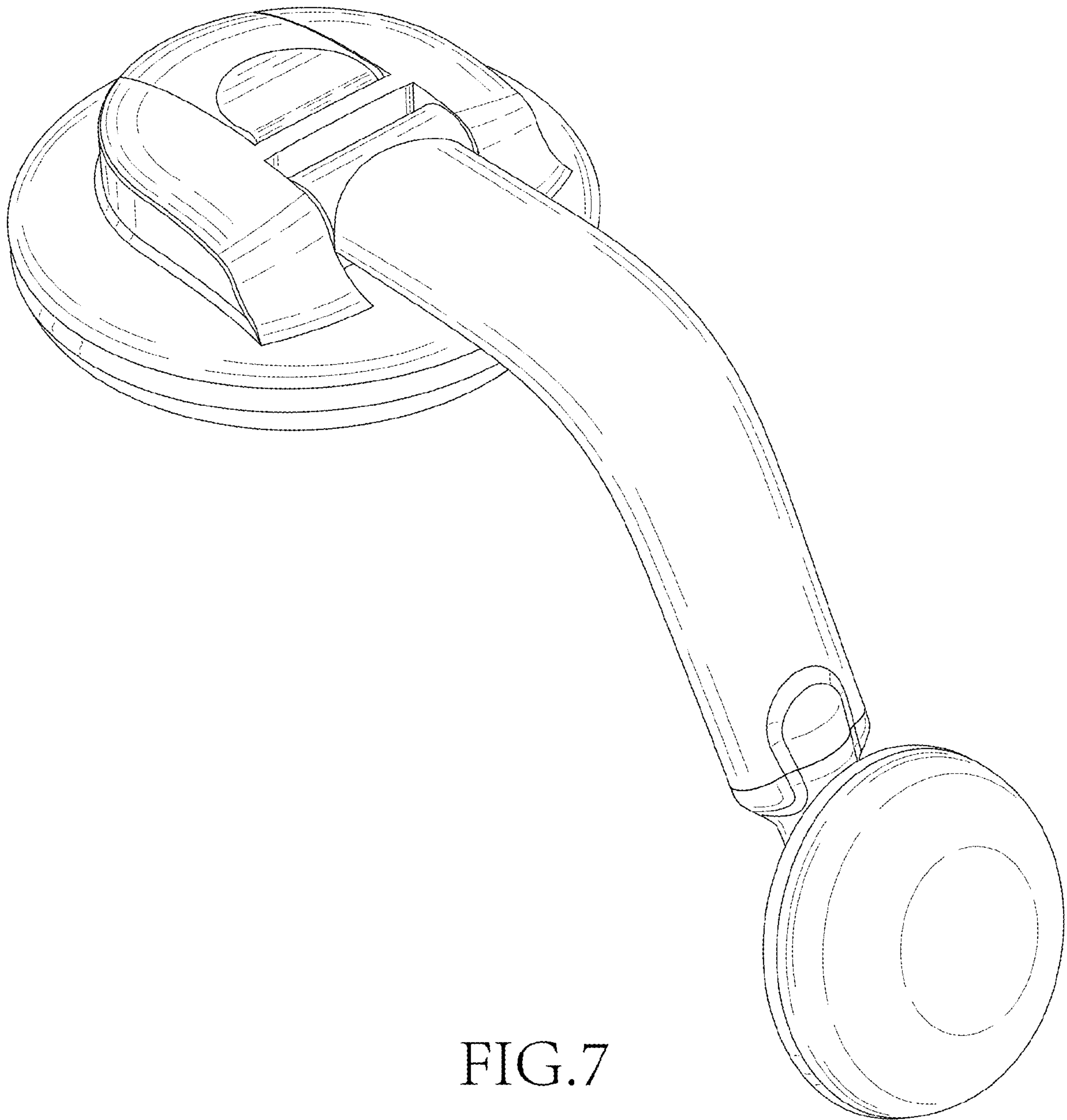


FIG. 7