



US00D928128S

(12) **United States Design Patent** (10) **Patent No.:** **US D928,128 S**
Chen (45) **Date of Patent:** **** Aug. 17, 2021**

(54) **DISPLAY MOUNT**

D873,253 S * 1/2020 Ahrens D14/239
D874,449 S * 2/2020 Ahrens D14/239
D877,743 S * 3/2020 Pei D14/451

(71) Applicant: **Perle Electronics Hardware**
(Hongkong) Co., Limited, Hongkong
(HK)

(Continued)

(72) Inventor: **Huasheng Chen**, Hongkong (HK)

CN 303239687 * 6/2015
CN 303239692 * 6/2015
CN 303309104 * 7/2015

(**) Term: **15 Years**

(Continued)

(21) Appl. No.: **29/748,236**

FOREIGN PATENT DOCUMENTS

(22) Filed: **Aug. 27, 2020**

(51) **LOC (13) Cl.** **14-03**

(52) **U.S. Cl.**
USPC **D14/239**

(58) **Field of Classification Search**
USPC D14/239, 371, 372, 373, 447-452, 125,
D14/127, 128, 129, 335-337, 375, 376,
D14/377, 341; D8/355, 363, 373;
D6/672, 682
CPC F16M 11/2085; F16M 11/2092; F16M
11/2007; F16M 11/2014; F16M 11/2021;
F16M 11/105; F16M 11/10; F16M
11/048; F16M 11/12; F16M 13/022

Amazon. Link: https://www.amazon.com/dp/B08KRK8KVF/ref=cm_sw_em_r_mt_dp_7FEW6MBF4XMB3YAPZBXX?_encoding=UTF8&psc=1. Oct. 6, 2020. TVON Universal TV Stand—Table Top TV Stand. (Year: 2020).*

(Continued)

Primary Examiner — Lauren D McVey
(74) *Attorney, Agent, or Firm* — W&K IP

See application file for complete search history.

(57) **CLAIM**

The ornamental design for a display mount, as shown and described.

DESCRIPTION

(56) **References Cited**

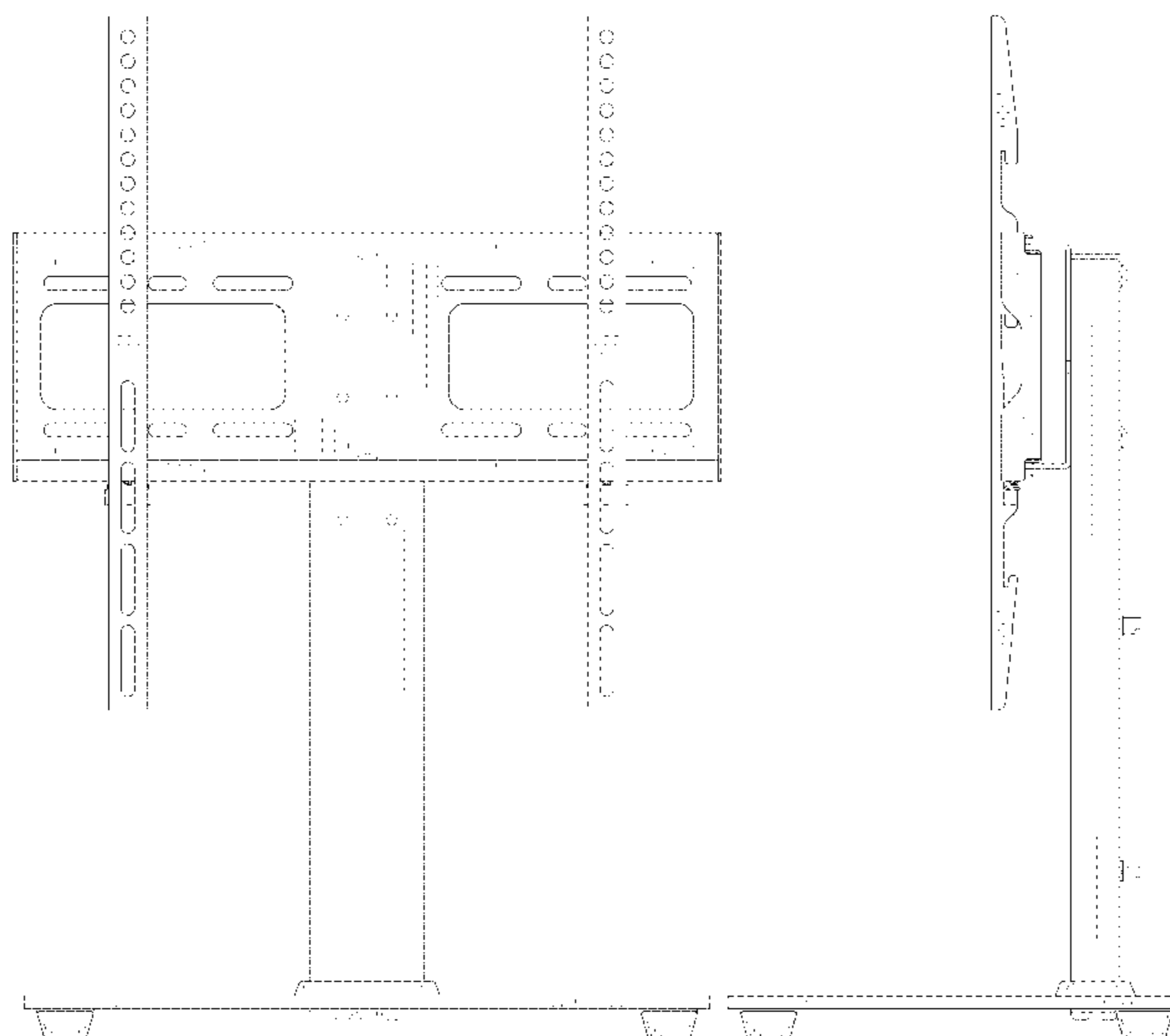
U.S. PATENT DOCUMENTS

7,195,214 B2 * 3/2007 Lee F16M 11/08
248/125.8
D568,325 S 5/2008 Muday
D575,774 S * 8/2008 Harris D14/125
D598,458 S * 8/2009 Li D14/451
D603,412 S * 11/2009 Wills D14/451
D615,072 S * 5/2010 Saitou D14/239
D699,552 S 2/2014 Wills
D782,491 S * 3/2017 Cutler D14/447
D784,999 S * 4/2017 Cutler D14/447
D836,091 S * 12/2018 Shu D14/239
D852,789 S * 7/2019 Pei D14/239
D853,403 S * 7/2019 Lyu D14/451

FIG. 1 is a perspective view of a display mount showing my new design;
FIG. 2 is a front view thereof;
FIG. 3 is a rear view thereof;
FIG. 4 is a left side view thereof;
FIG. 5 is a right side view thereof;
FIG. 6 is a top plan view thereof; and,
FIG. 7 is a bottom plan view thereof.

The broken lines immediately adjacent to the shaded areas depict the bounds of the claimed design, while all other broken lines are directed to environment. The broken lines form no part of the claimed design.

1 Claim, 7 Drawing Sheets



(56)

References Cited

U.S. PATENT DOCUMENTS

D912,024 S * 3/2021 Pei D14/239

FOREIGN PATENT DOCUMENTS

CN 303309105 * 7/2015
EM 006046504-0001 * 1/2019
EM 008189310-0003 * 9/2020

OTHER PUBLICATIONS

Amazon. Link: https://www.amazon.com/dp/B08F2Q435C/ref=cm_sw_em_r_mt_dp_CPMQOW18N3SMBN6H2XG1. Jul. 1, 2020. AM alphamount Universal TV Stand Table Top TV Base. (Year: 2020).*

Walmart. Link: <https://www.walmart.com/ip/onn-Swivel-TV-Base-for-TV-s-32-to-65/955558225>. Visited Feb. 24, 2021. onn. Swivel TV Base for TV's 32" to 65." (Year: 2021).*

Newegg. Link: <https://www.newegg.com/p/0RC-01RM-000Z6>. Sep. 14, 2019. Elitech TV Display Portable Floor Stand Height Adjustable Mount. (Year: 2019).*

* cited by examiner

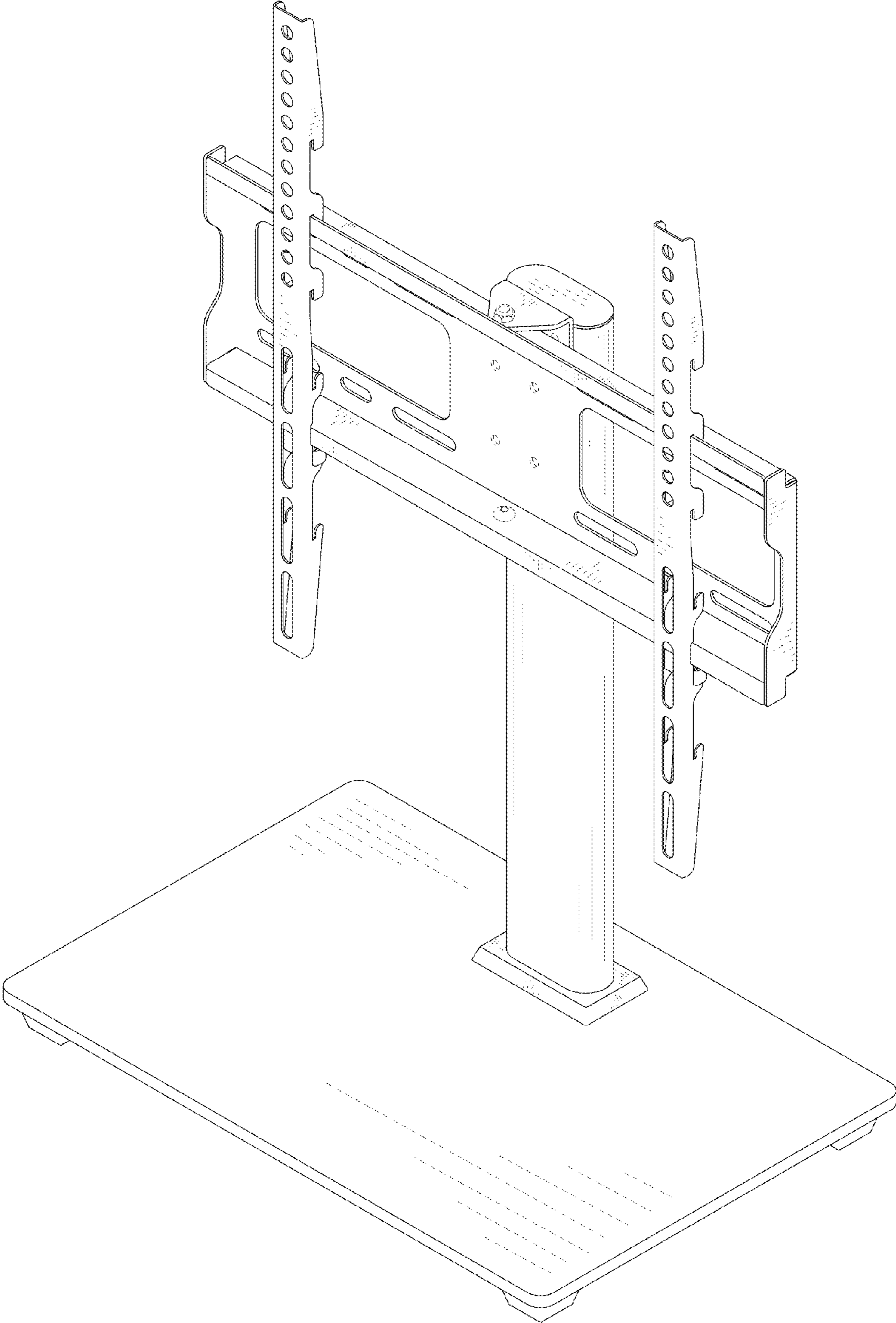


FIG. 1

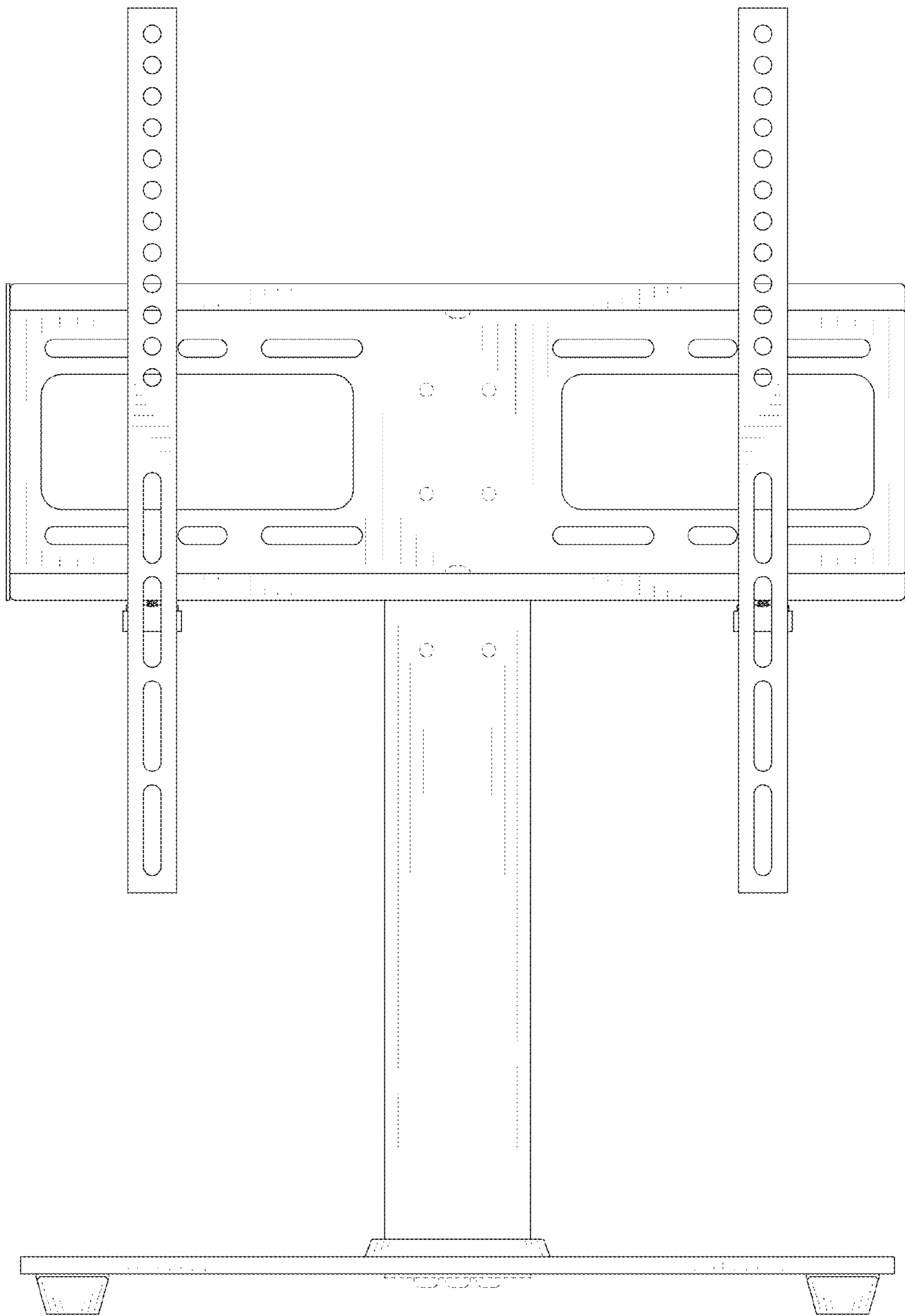


FIG. 2

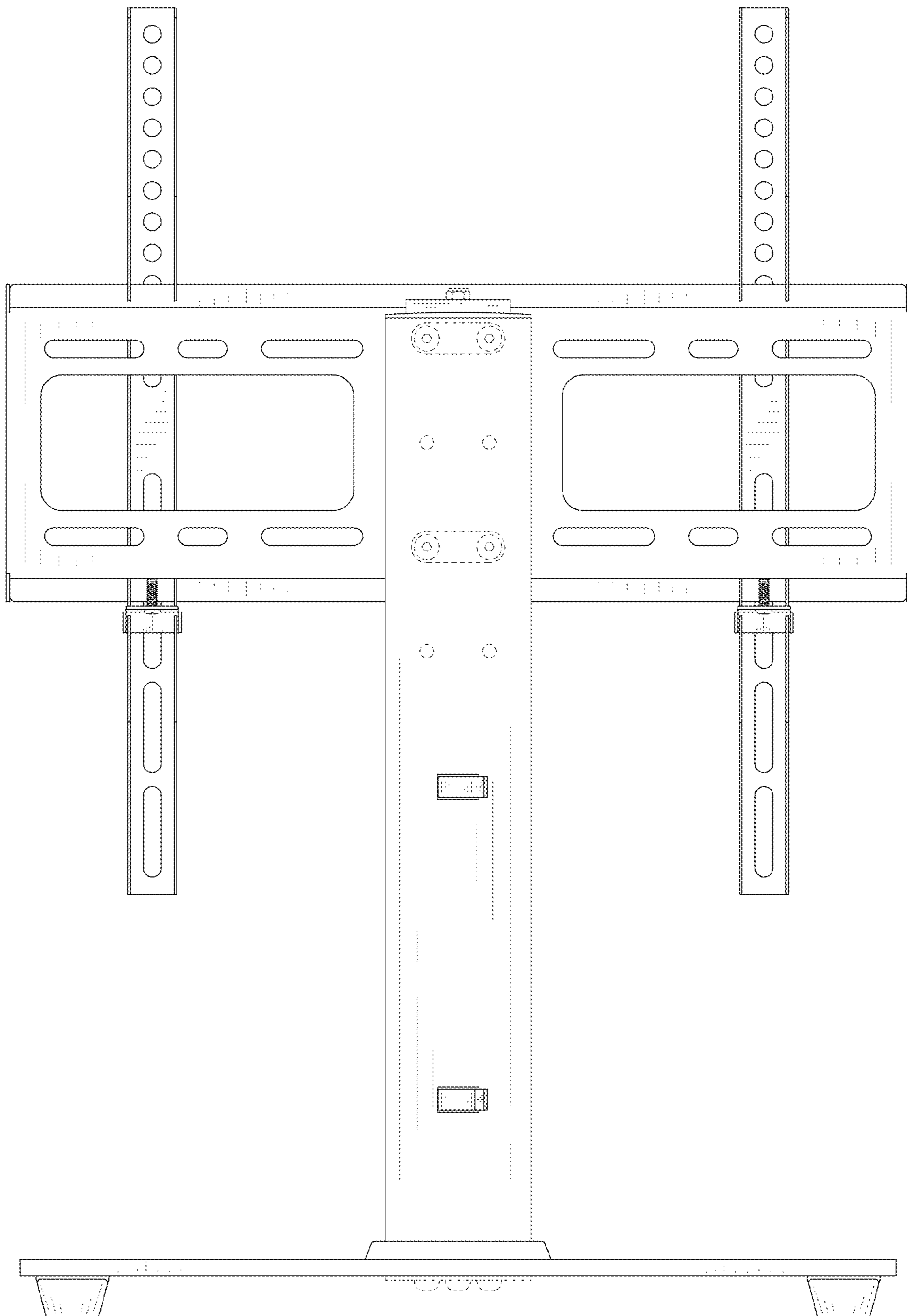


FIG. 3

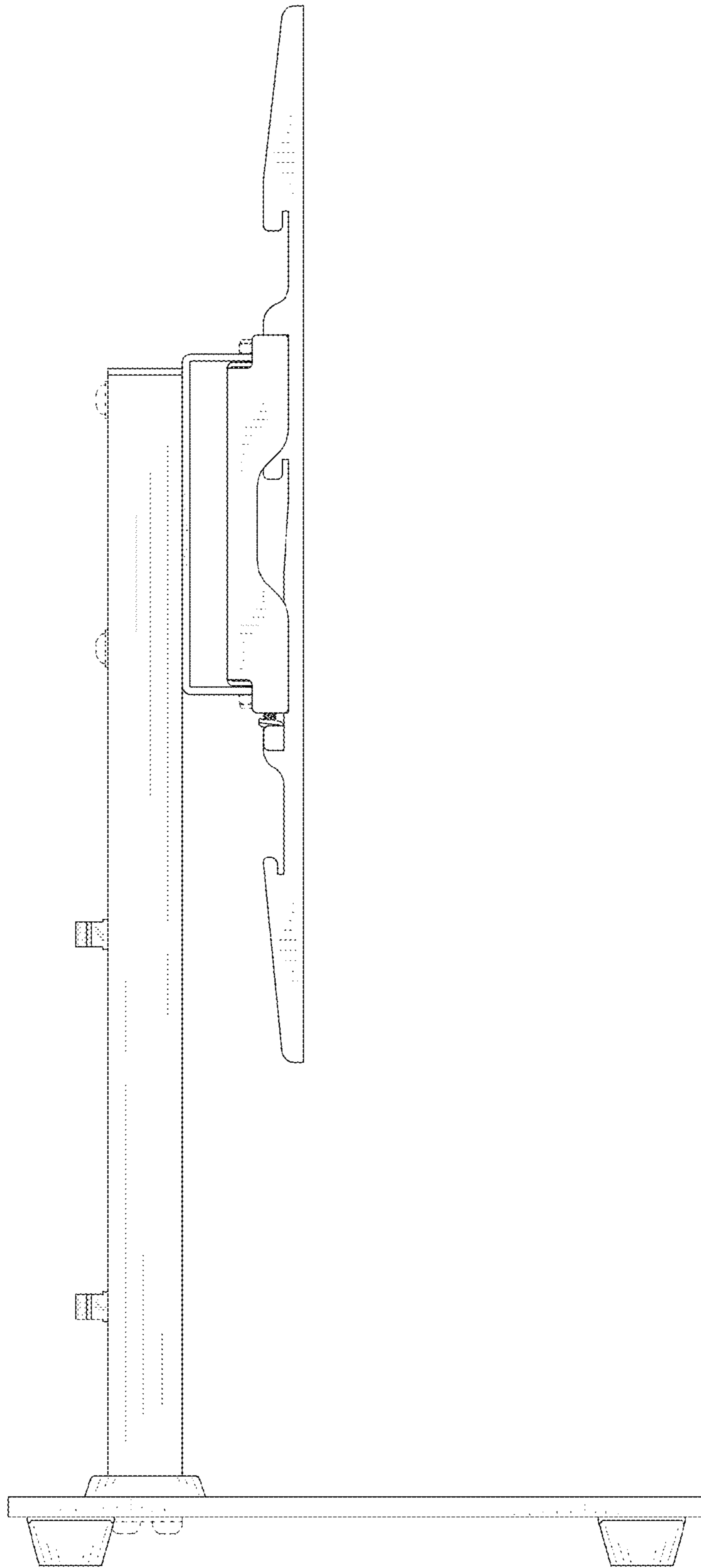


FIG. 4

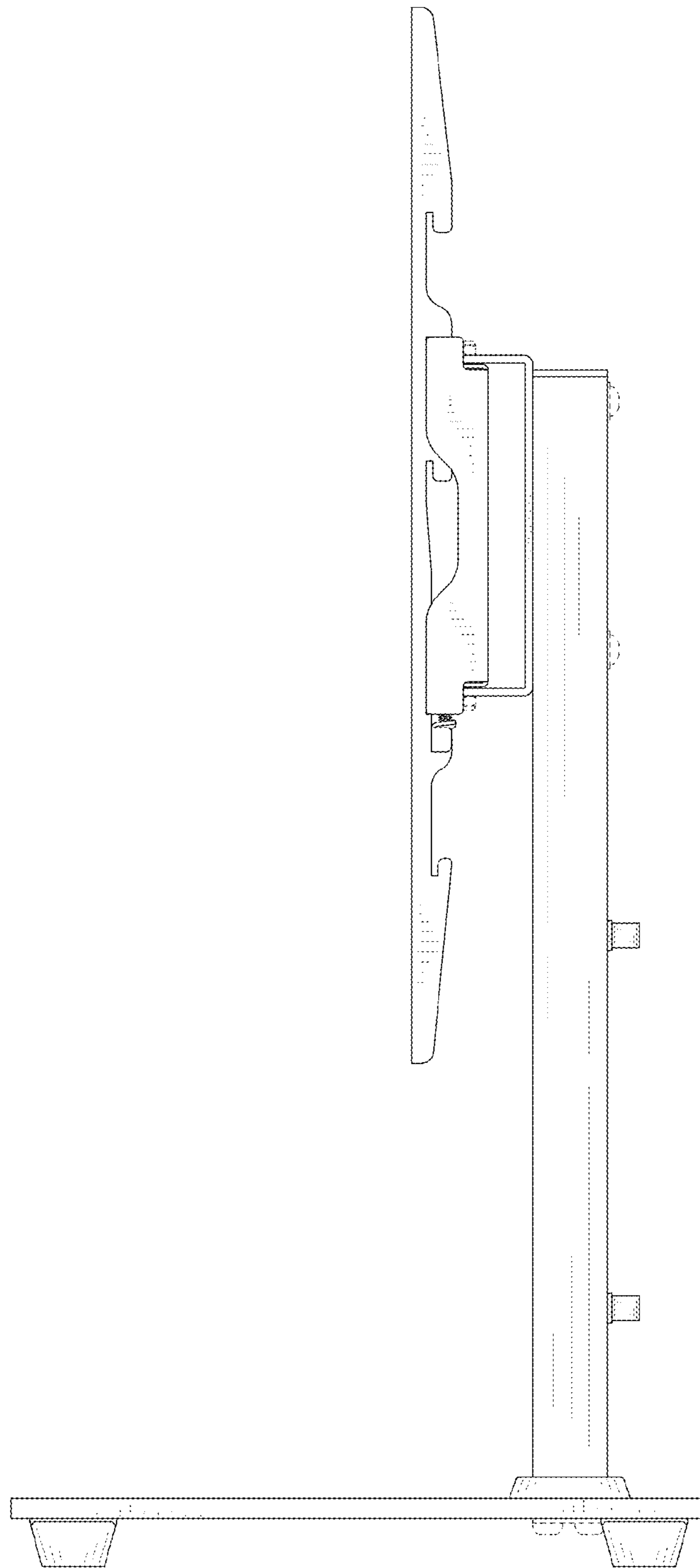


FIG. 5

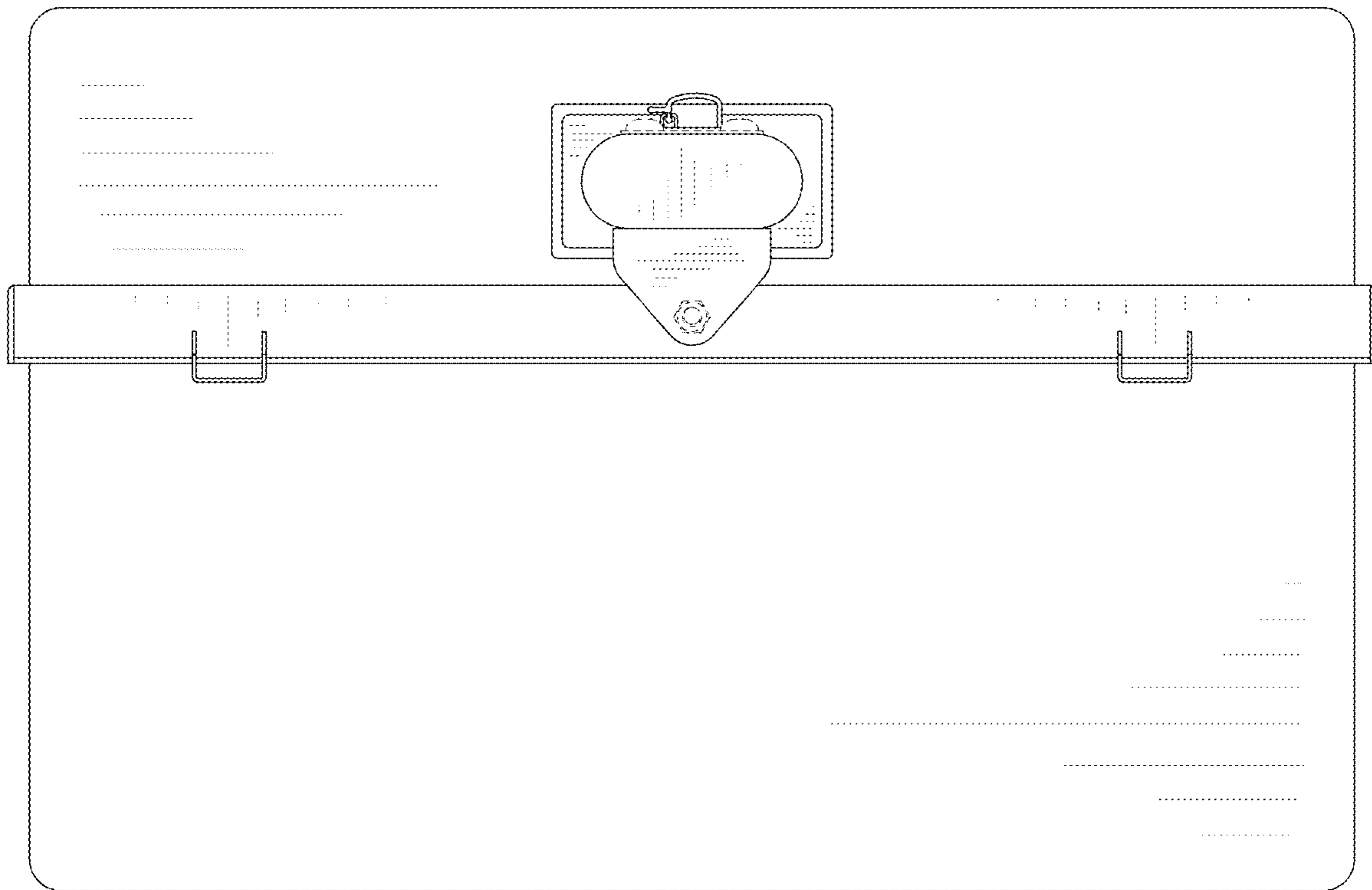


FIG. 6

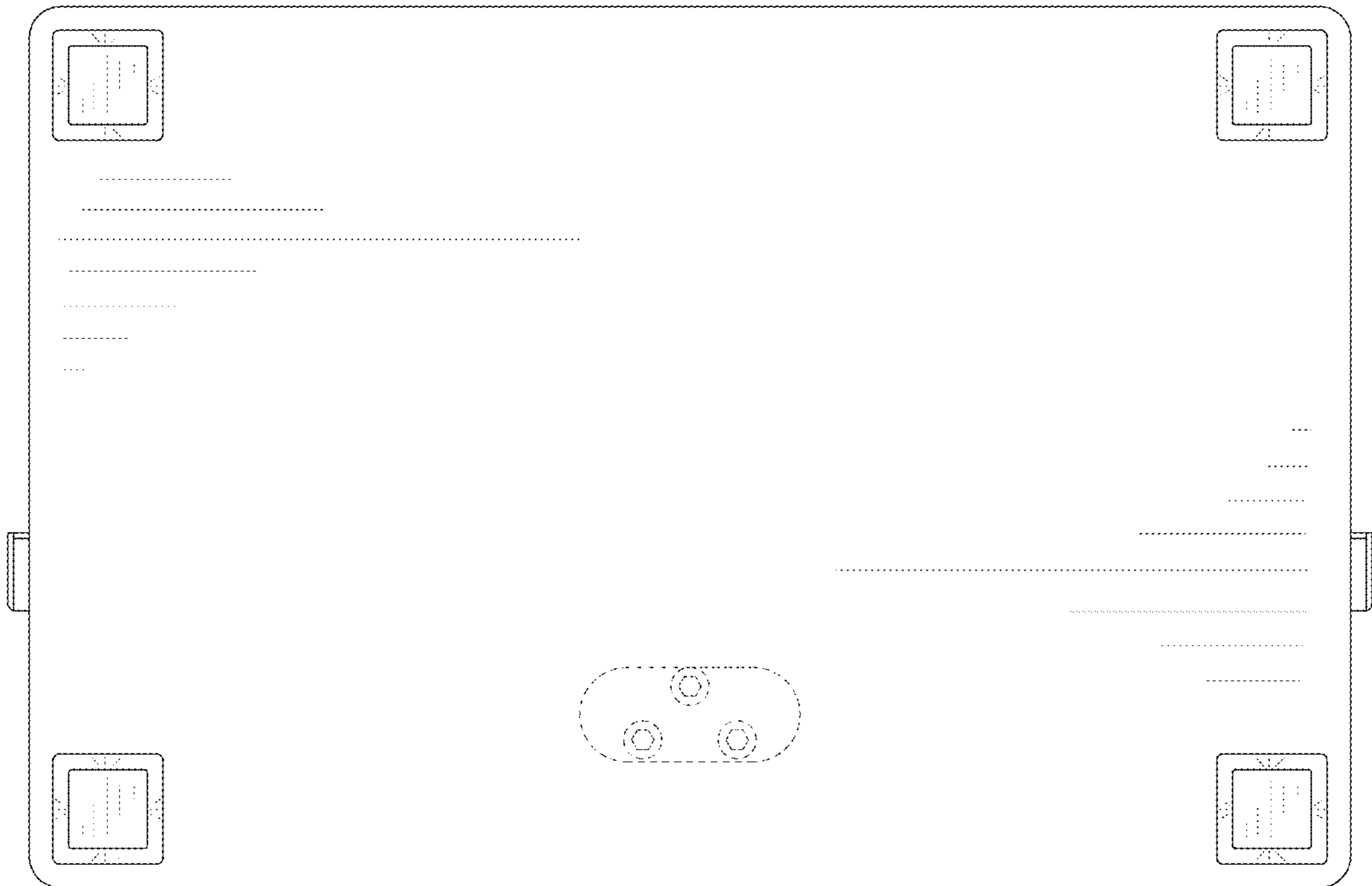


FIG. 7