



US00D928126S

(12) **United States Design Patent** (10) **Patent No.:** **US D928,126 S**
Chen (45) **Date of Patent:** **** Aug. 17, 2021**

(54) **WIRELESS EARPHONE**
(71) Applicant: **Xinying Chen**, Shantou (CN)
(72) Inventor: **Xinying Chen**, Shantou (CN)
(**) Term: **15 Years**
(21) Appl. No.: **29/752,589**
(22) Filed: **Sep. 28, 2020**
(51) **LOC (13) Cl.** **14-01**
(52) **U.S. Cl.**
USPC **D14/223**
(58) **Field of Classification Search**
USPC D14/223, 205; D24/174; 128/864, 865,
128/866; 381/380, 381, 322, 328;
455/90.3, 575.1, 569.1
CPC H04R 1/10; H04R 25/00; H04R 1/1066;
H04R 1/1016; H04R 5/033; H04R
5/0335; H04R 1/1058; H04R 1/1083;
H04R 1/1091; H04R 25/02
See application file for complete search history.

(56) **References Cited**
U.S. PATENT DOCUMENTS
4,122,841 A * 10/1978 Rock A61B 5/12
128/864
D499,397 S * 12/2004 Hlas D14/223
D557,689 S * 12/2007 Huang D14/223
D591,721 S * 5/2009 Densho D14/205
D619,122 S * 7/2010 Nomura D14/223
D627,765 S * 11/2010 Zheng D14/223
D628,193 S * 11/2010 Zheng D14/223
D633,086 S * 2/2011 Chen D14/223
D641,738 S * 7/2011 Perez D14/223
D651,196 S * 12/2011 Quek D14/223
D652,823 S * 1/2012 Chen H04R 1/1016
D14/223
D657,780 S * 4/2012 Dahlberg D14/223
D660,290 S * 5/2012 Weedon D14/223
D660,292 S * 5/2012 Rautiainen D14/223

D662,492 S * 6/2012 Akana D14/217
D662,493 S * 6/2012 Chen D14/223
D664,523 S * 7/2012 Naitou D14/223
D666,581 S * 9/2012 Perez D14/223
D666,996 S * 9/2012 Hardi D14/223
8,265,323 B2 * 9/2012 Stiehl H04R 1/1058
381/371
D671,531 S * 11/2012 Kim D14/223
D673,531 S * 1/2013 Lee D14/223
D681,015 S * 4/2013 Akana H04R 1/10
D14/223
D695,721 S * 12/2013 Thompson D14/223
8,712,087 B2 * 4/2014 Ozawa H04R 1/1016
381/380

(Continued)

FOREIGN PATENT DOCUMENTS

EM 008057400-0002 * 7/2020
EM 008060735-0001 * 7/2020
(Continued)

Primary Examiner — Paula Allen Greene
(74) *Attorney, Agent, or Firm* — Justin Lampel

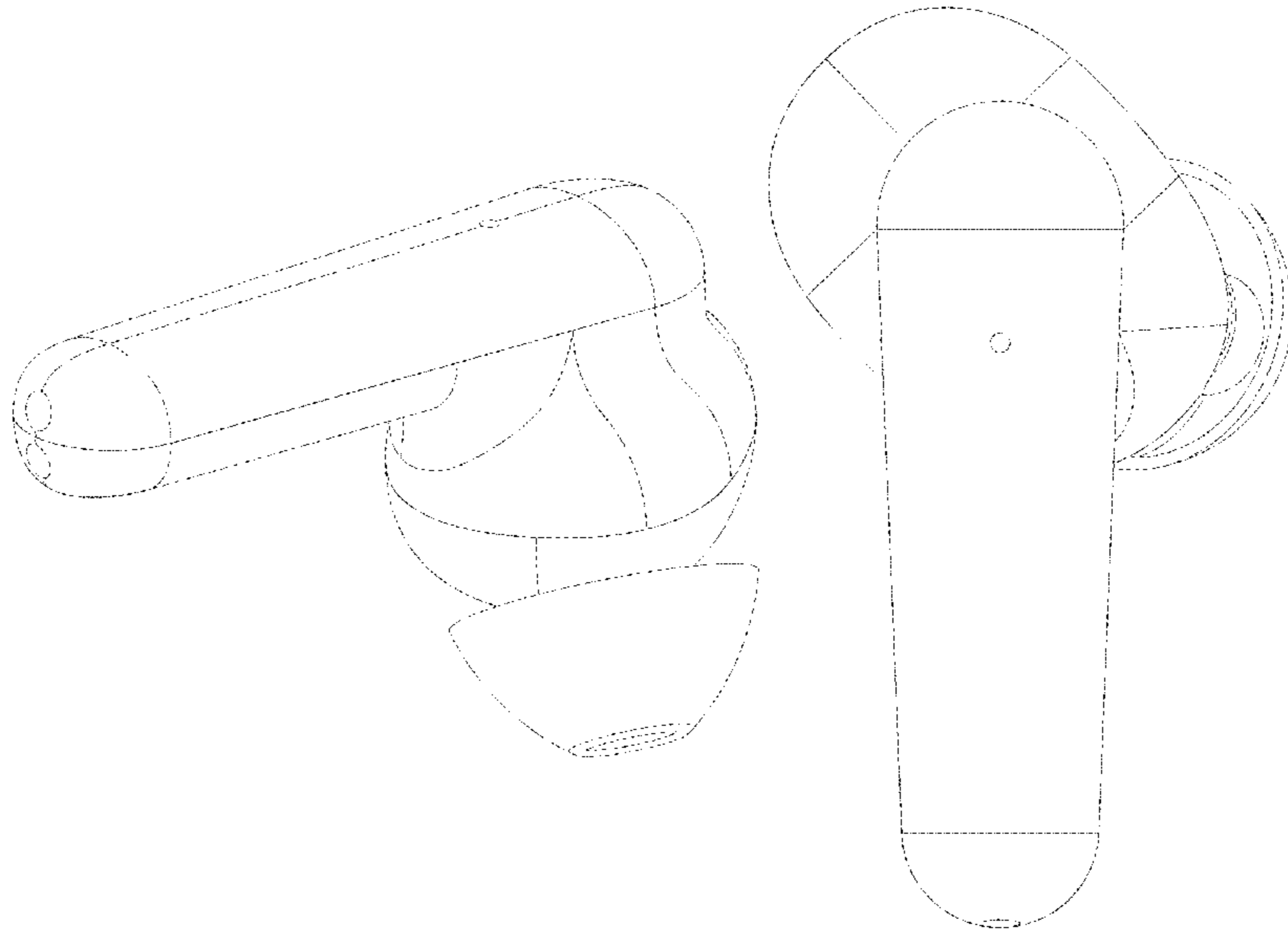
(57) **CLAIM**

The ornamental design for a wireless earphone, as shown and described.

DESCRIPTION

FIG. 1 is a perspective view of a wireless earphone showing the claimed design;
FIG. 2 is a top plan view thereof;
FIG. 3 is a rear elevational view thereof;
FIG. 4 is a bottom plan view thereof;
FIG. 5 is a right side view thereof;
FIG. 6 is a front elevational view thereof; and,
FIG. 7 is a left side view thereof.
The broken lines illustrate portions of the wireless earphone that form no part of the claimed design.

1 Claim, 7 Drawing Sheets



(56)

References Cited

U.S. PATENT DOCUMENTS

D707,206 S * 6/2014 Akana H04R 1/10
D14/223
D711,857 S * 8/2014 Burgett D14/223
D718,284 S * 11/2014 Shibusawa D14/223
D730,876 S * 6/2015 Dahlberg D14/223
D732,008 S * 6/2015 Akana H04R 1/10
D14/223
D733,101 S * 6/2015 Pi D14/223
D733,689 S * 7/2015 Narita D14/223
D738,864 S * 9/2015 Lee D14/223
D741,287 S * 10/2015 Harata D14/205
9,197,956 B2 * 11/2015 Iseberg H04R 1/1016
D757,682 S * 5/2016 Perez D14/205
D760,202 S * 6/2016 Hsieh D14/223
D761,760 S * 7/2016 Poulsen D14/205
D770,412 S * 11/2016 Son D14/205
D784,962 S * 4/2017 Yang D14/223
D801,312 S * 10/2017 Birger H04R 1/1025
D14/223
D801,314 S * 10/2017 Akana D14/223
D803,184 S * 11/2017 Loh Jun Kern D14/205
D820,809 S * 6/2018 Akana D14/205
D821,362 S * 6/2018 Vaclavik D14/223
D822,009 S * 7/2018 Matoba D14/223
D830,336 S * 10/2018 Cai D14/205
D832,824 S * 11/2018 Kim D14/223
D847,125 S * 4/2019 Akana D14/223
D847,794 S * 5/2019 Guo D14/223
D848,979 S * 5/2019 Kim D14/223
D848,982 S * 5/2019 Kim D14/223
D848,983 S * 5/2019 Kim D14/223
D861,647 S * 10/2019 Chen D14/223
D864,165 S * 10/2019 Roberts D14/223
D864,169 S * 10/2019 Min D14/223
D869,445 S * 12/2019 Hu D14/223
D878,337 S * 3/2020 Yang D14/223
D888,690 S * 6/2020 Yan D14/223

D888,691 S * 6/2020 Liu D14/223
D889,436 S * 7/2020 Zhang D14/223
D889,440 S * 7/2020 Yan
D890,138 S * 7/2020 Peng D14/223
D893,462 S * 8/2020 Liu D14/223
D894,875 S * 9/2020 Zhao D14/223
D895,579 S * 9/2020 Yang D14/223
D895,582 S * 9/2020 Wu D14/223
D896,206 S * 9/2020 Xu D14/223
D897,998 S * 10/2020 Ma D14/223
D903,639 S * 12/2020 Yang D14/223
D904,351 S * 12/2020 Zhang D14/223
D905,018 S * 12/2020 Zhu D14/223
D907,008 S * 1/2021 Yao D14/223
D907,607 S * 1/2021 Deng D14/223
D910,600 S * 2/2021 Zhang D14/223
D910,601 S * 2/2021 Hu D14/223
D912,011 S * 3/2021 Zhao D14/205
D915,355 S * 4/2021 Xiang D14/223
D916,683 S * 4/2021 Yao D14/223
D918,178 S * 5/2021 Chen D14/223
D918,179 S * 5/2021 Zhao D14/223
D918,182 S * 5/2021 Chen D14/223
D920,291 S * 5/2021 Hou D14/223
D920,293 S * 5/2021 Chen D14/223
D921,615 S * 6/2021 Wu D14/223
2007/0189570 A1 * 8/2007 Matsuo H04R 1/02
381/382
2013/0004011 A1 * 1/2013 Hayashida H04R 1/345
381/380
2016/0205458 A1 * 7/2016 Huang H04R 1/1016
381/380
2020/0252715 A1 * 8/2020 Zhou H04R 1/1041
2020/0382856 A1 * 12/2020 Liu H04R 1/2826

FOREIGN PATENT DOCUMENTS

EM 008364616-0001 * 12/2020
EM 008440440-0002 * 2/2021

* cited by examiner

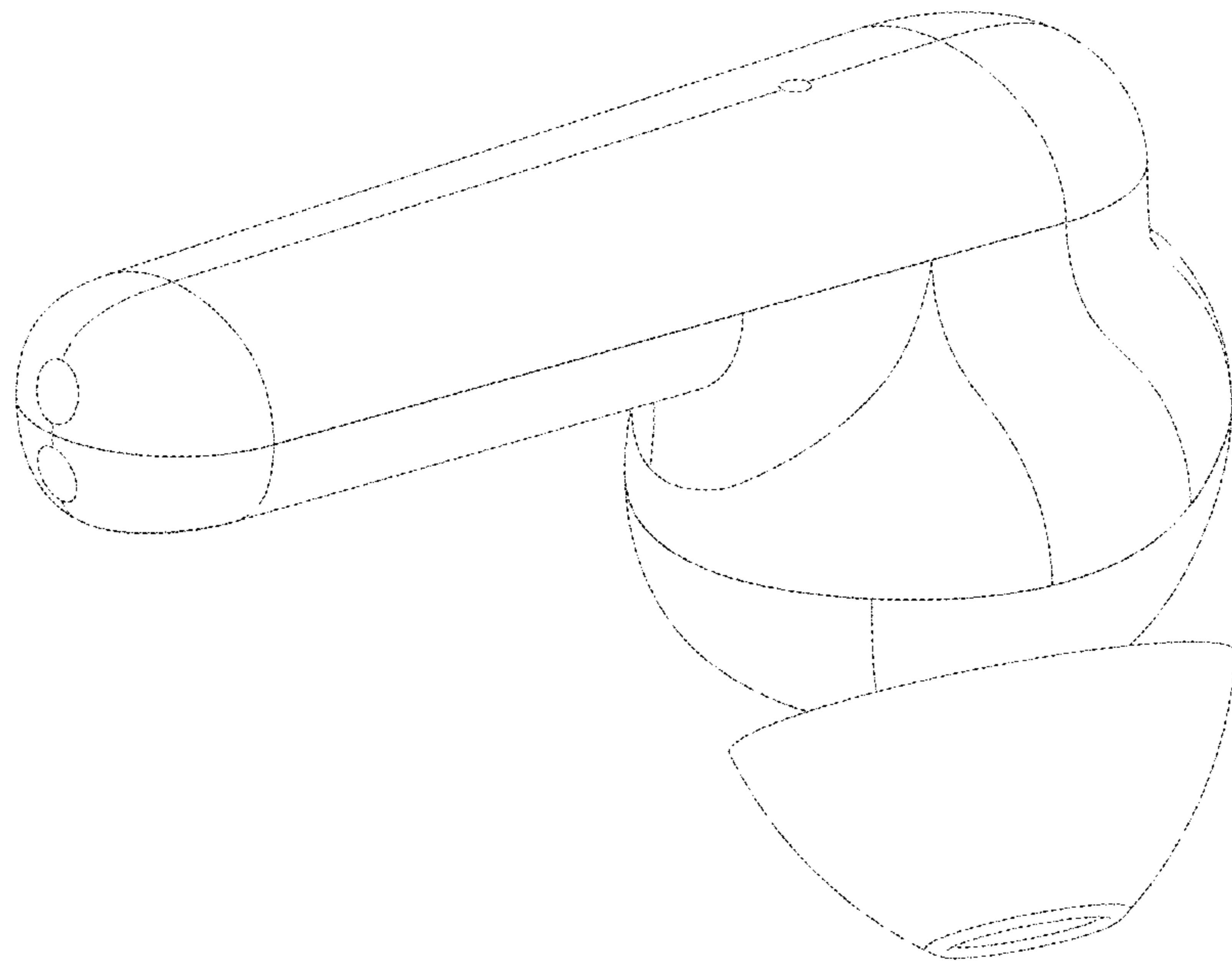


FIG.1

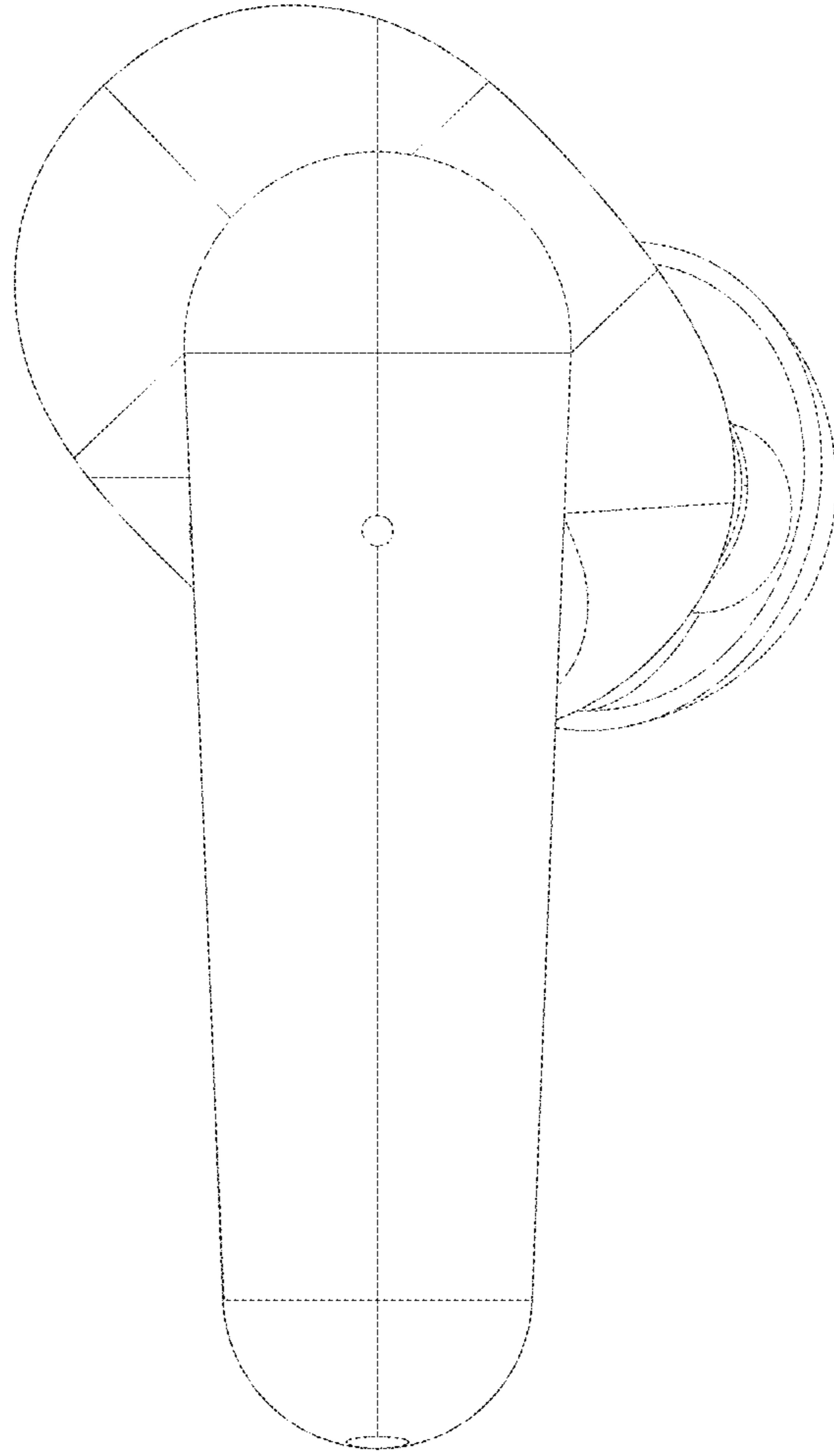


FIG.2

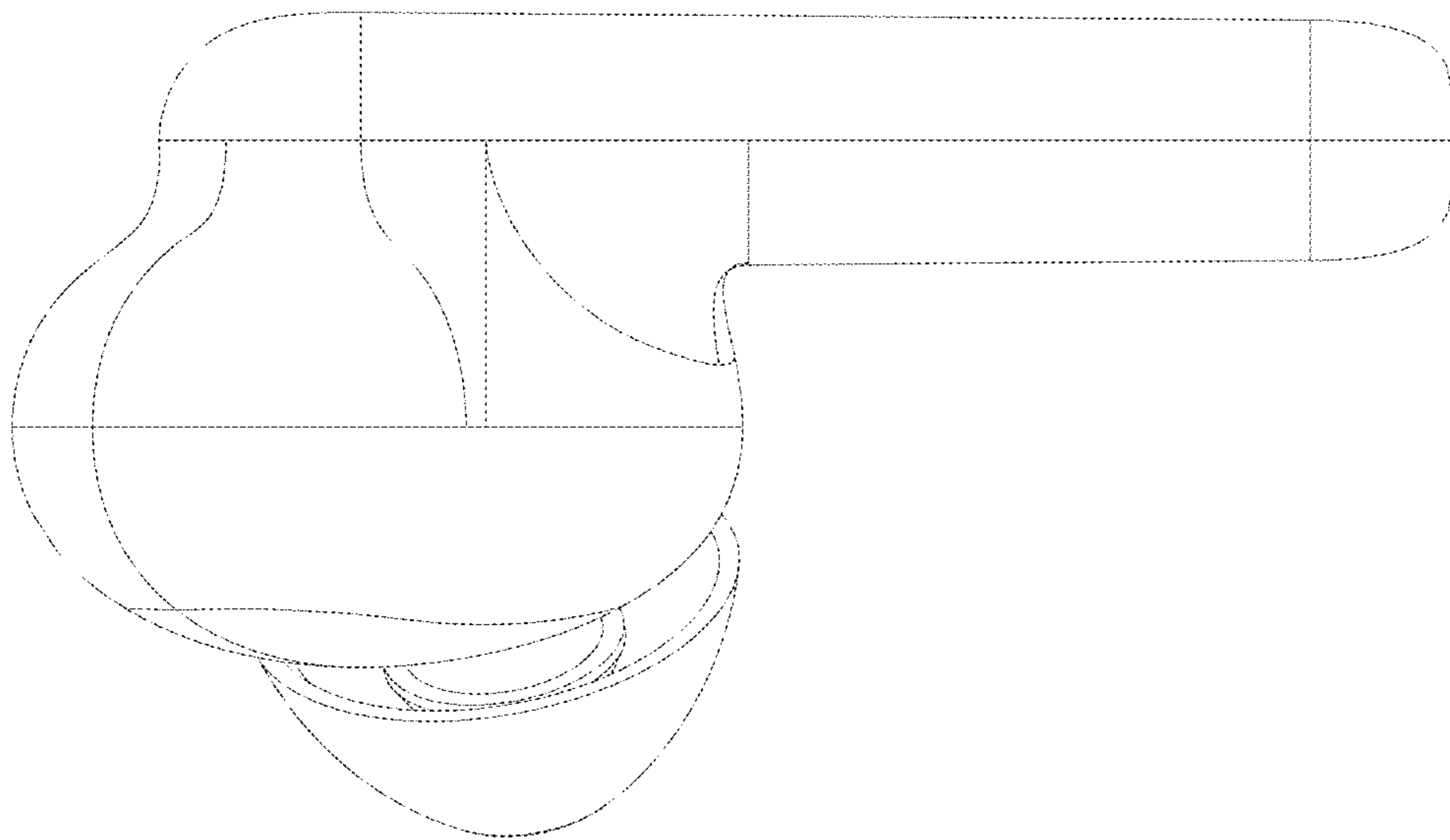


FIG. 3

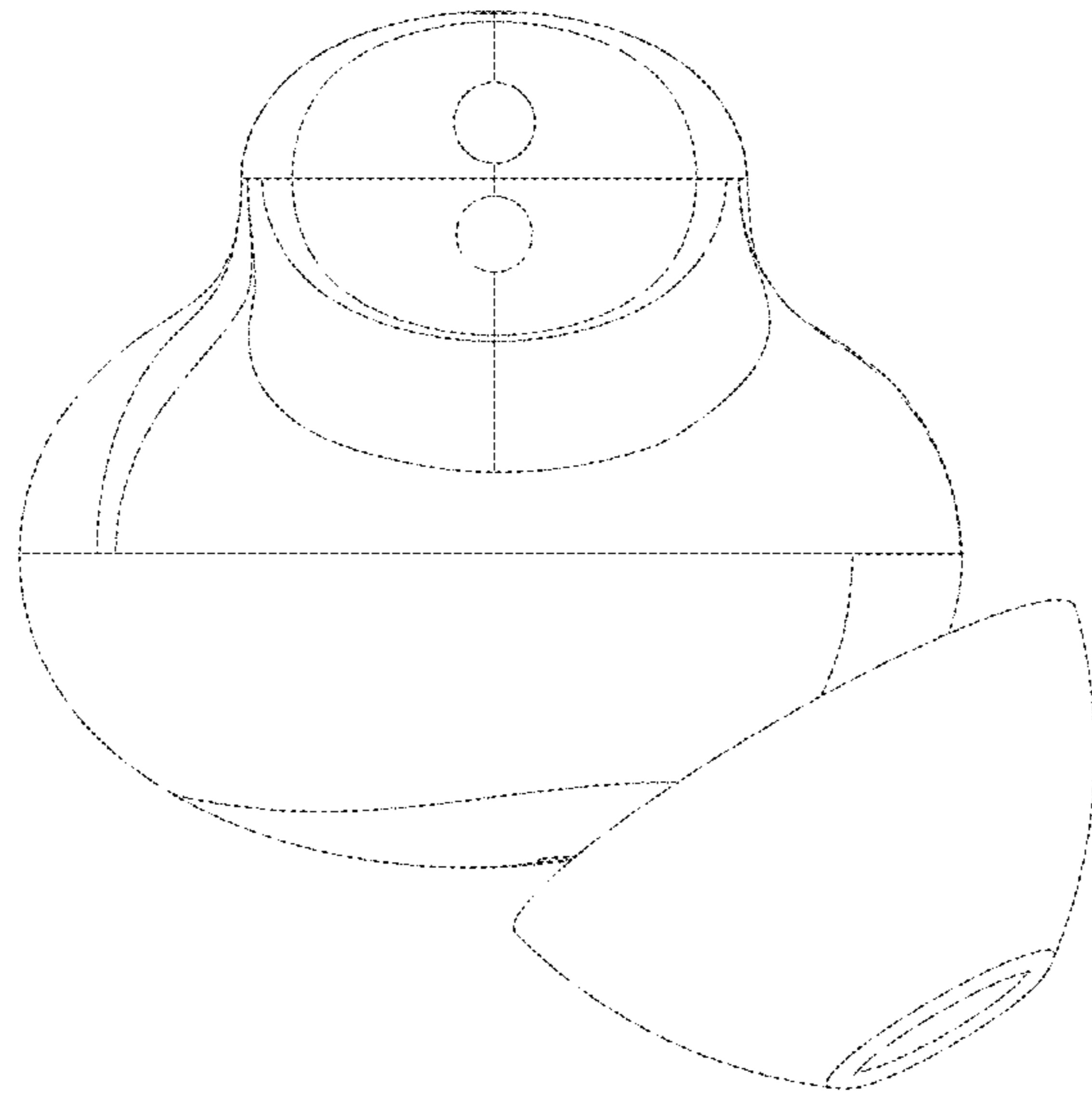


FIG.4

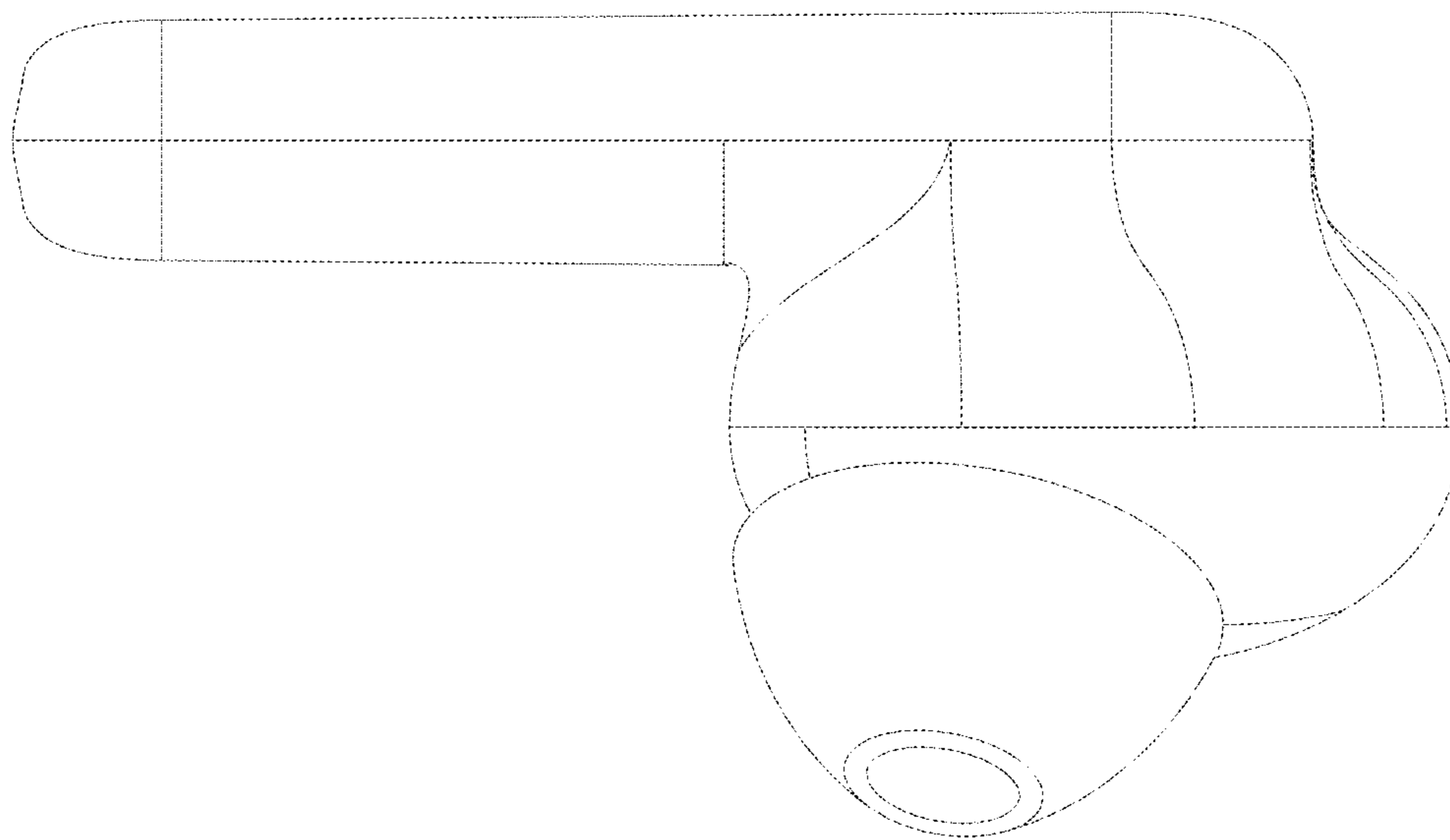


FIG. 5

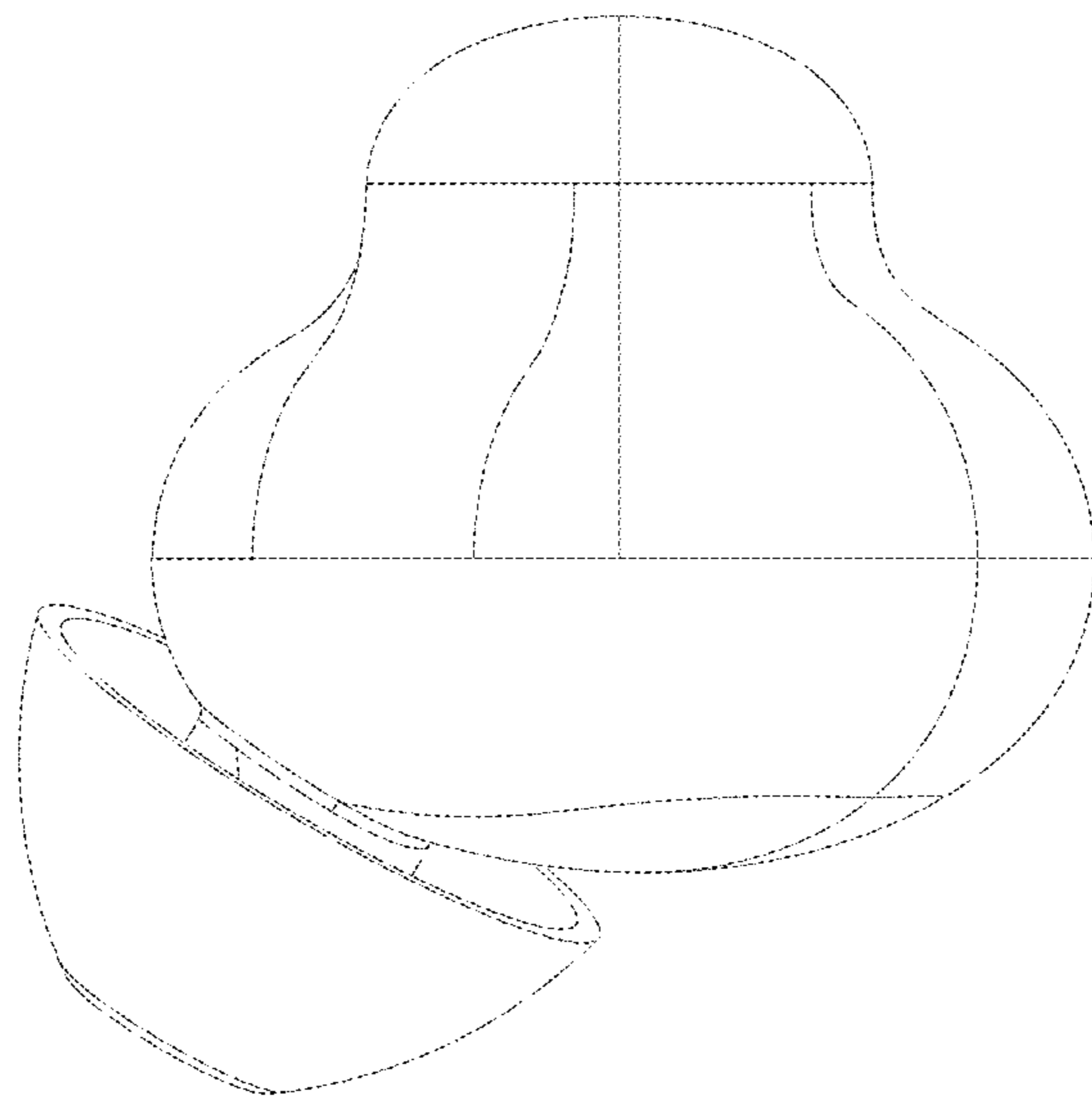


FIG.6

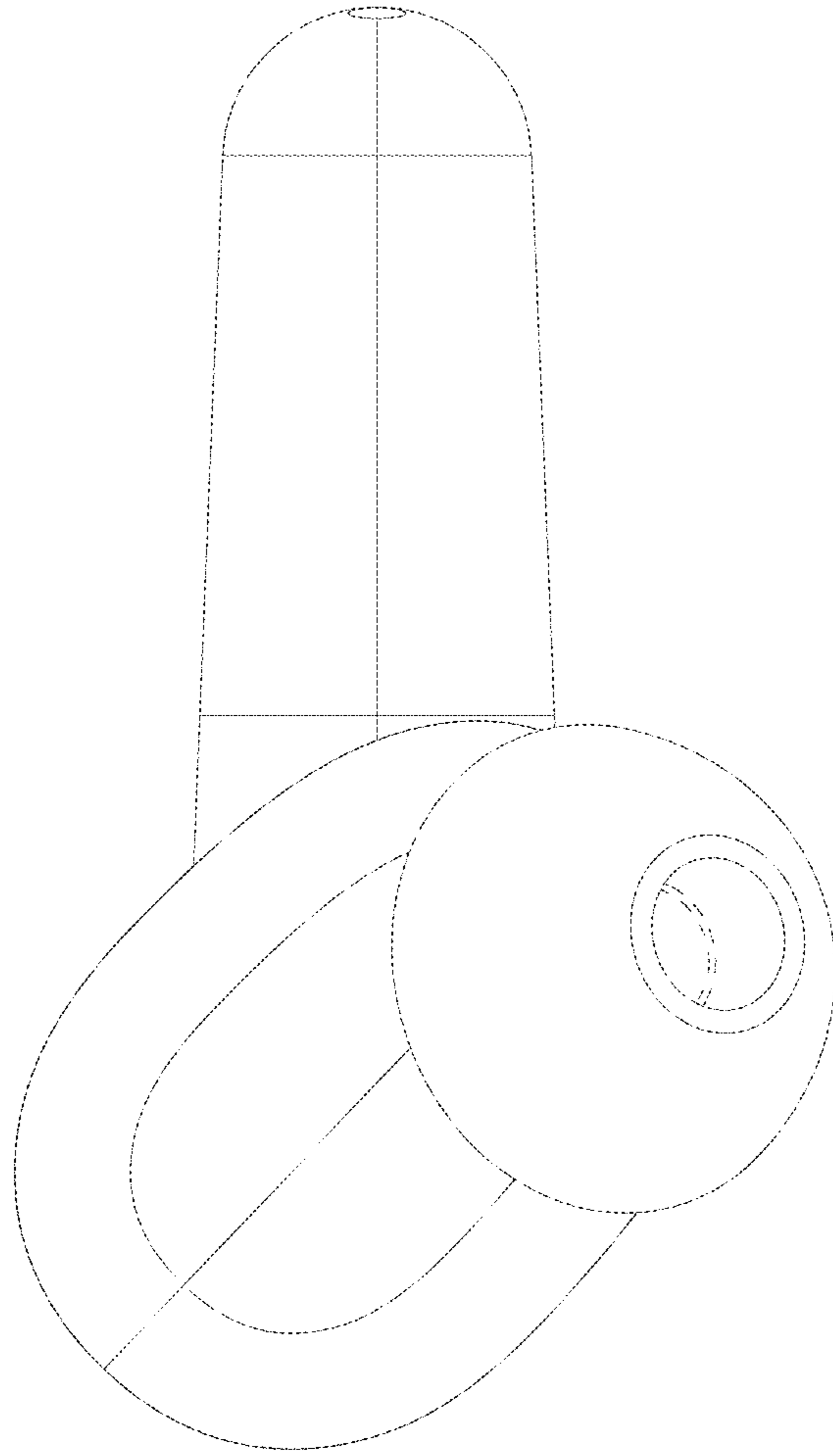


FIG. 7