



US00D928122S

(12) **United States Design Patent**
Yoshida et al.

(10) **Patent No.:** **US D928,122 S**

(45) **Date of Patent:** **** Aug. 17, 2021**

(54) **EARPHONE**

(71) Applicant: **Audio-Technica Corporation**, Tokyo (JP)

(72) Inventors: **Kohei Yoshida**, Tokyo (JP); **Per Bolmstrand**, Stockholm (SE); **Naoto Nakamura**, Stockholm (SE)

(73) Assignee: **AUDIO-TECHNICA CORPORATION**, Tokyo (JP)

(**) Term: **15 Years**

(21) Appl. No.: **29/680,792**

(22) Filed: **Feb. 20, 2019**

(30) **Foreign Application Priority Data**

Aug. 21, 2018 (JP) 2018-018132

(51) **LOC (13) Cl.** **14-01**

(52) **U.S. Cl.**
USPC **D14/223**

(58) **Field of Classification Search**
USPC D14/223, 205; D24/174; 128/864;
381/380, 381; 455/90.3, 575.1, 569.1
CPC H04R 1/10; H04R 1/1066; H04R 1/1016;
H04R 5/033; H04R 5/0335; H04R 25/00;
H04R 1/1058
See application file for complete search history.

(56) **References Cited**

U.S. PATENT DOCUMENTS

D508,479 S * 8/2005 Okada D14/206
D510,574 S * 10/2005 Okada D14/223
D543,972 S * 6/2007 Taylor D14/223
D575,772 S * 8/2008 Schultz D14/206
D576,610 S * 9/2008 Johnson D14/205
D579,006 S * 10/2008 Kim D14/223

D623,630 S * 9/2010 Otori D14/223
D641,008 S * 7/2011 Lee D14/223
D641,737 S * 7/2011 Krauss D14/205
D644,124 S * 8/2011 Cocchioni D9/420
D644,212 S * 8/2011 Quek D14/223
D644,213 S * 8/2011 Quek D14/223
D668,632 S * 10/2012 Enquist D14/205
D684,950 S * 6/2013 Schaal D14/205
D684,953 S * 6/2013 Schaal D14/205
D686,191 S * 7/2013 Schaal D14/205
D687,021 S * 7/2013 Yuen D14/223
D705,757 S * 5/2014 Yashiro H04R 1/10
D712,383 S * 9/2014 McNamara D14/223
D714,260 S * 9/2014 Han D14/223
8,831,266 B1 * 9/2014 Huang H04R 1/1091
381/380
8,897,480 B2 * 11/2014 Tan H04R 1/105
381/380
D725,636 S * 3/2015 McNamara D14/205

(Continued)

Primary Examiner — Paula Allen Greene

(74) *Attorney, Agent, or Firm* — W&C IP

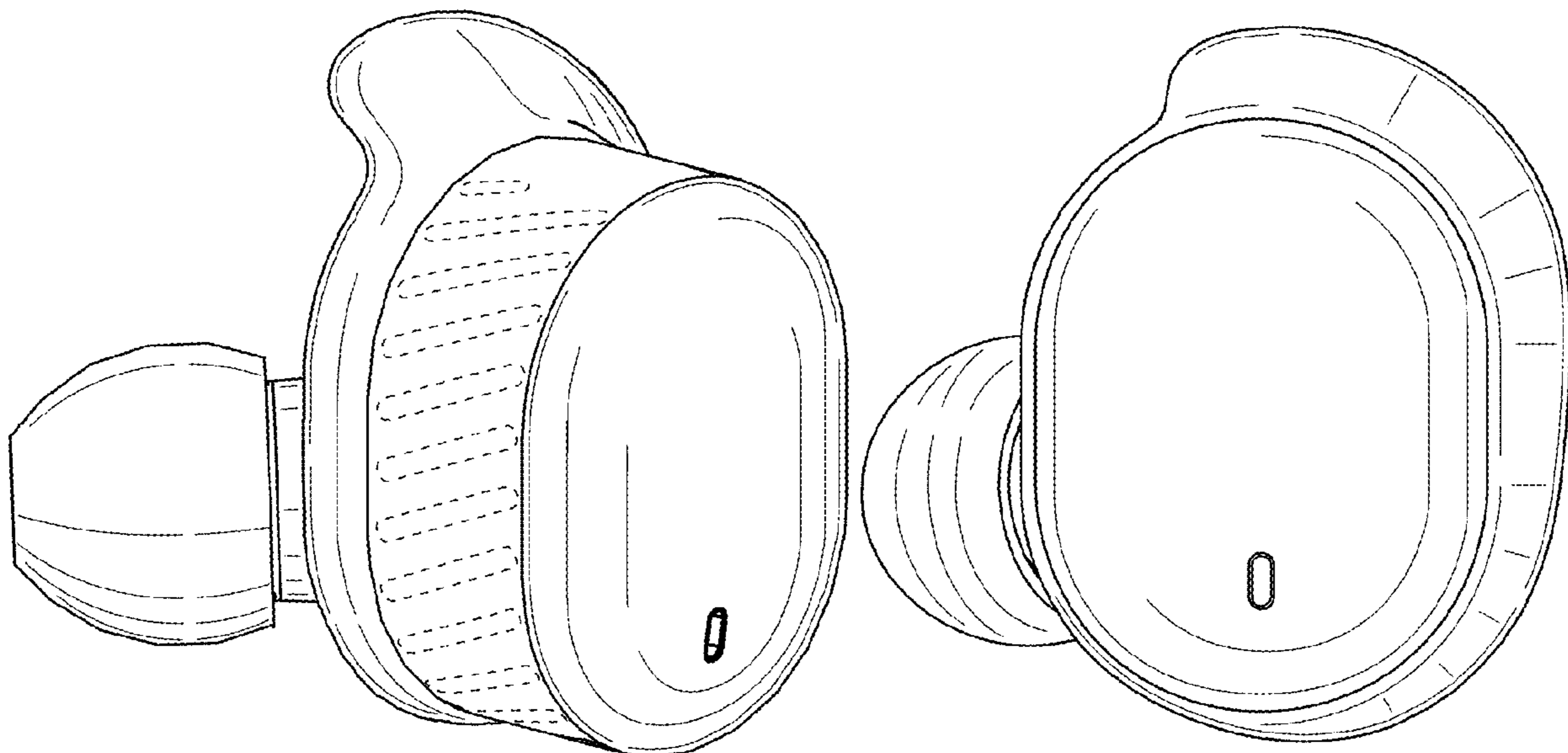
(57) **CLAIM**

The ornamental design for an earphone, as shown and described.

DESCRIPTION

FIG. 1 is a perspective view of an earphone;
FIG. 2 is a front view thereof;
FIG. 3 is a rear view thereof;
FIG. 4 is a left side view thereof;
FIG. 5 is a right side view thereof;
FIG. 6 is a top plan view thereof; and,
FIG. 7 is a bottom plan view thereof, showing our design.
In the drawing the claimed design is defined by the shaded surfaces; all other broken lines are directed to environment that is for the purposes of illustrating environmental structure; the broken lines form no part of the claimed design.

1 Claim, 4 Drawing Sheets



(56)

References Cited

U.S. PATENT DOCUMENTS

9,055,369 B2 * 6/2015 Yang H04R 1/10
 D735,169 S * 7/2015 Shieh D14/223
 D743,948 S * 11/2015 Crawford D14/205
 D744,456 S * 12/2015 Pedersen D14/223
 D750,600 S * 3/2016 Crawford D14/223
 D754,638 S * 4/2016 Krissman D14/223
 D773,440 S * 12/2016 Pedersen D14/223
 D773,441 S * 12/2016 Pedersen D14/223
 D774,021 S * 12/2016 Pedersen D14/223
 D779,461 S * 2/2017 Smith D14/223
 D780,157 S * 2/2017 Uggla D14/205
 D788,079 S * 5/2017 Son D14/223
 D795,224 S * 8/2017 Valenzuela D14/223
 D800,703 S * 10/2017 Vaclavik D14/223
 D822,646 S * 7/2018 Dang D14/223
 D828,825 S * 9/2018 Samrelius D14/223
 D841,626 S * 2/2019 Tang D14/223
 10,206,026 B2 * 2/2019 Yeung H01Q 1/273
 D852,171 S * 6/2019 Cai D14/223
 D864,165 S * 10/2019 Roberts D14/223
 D871,376 S * 12/2019 Zhou D14/223
 D872,064 S * 1/2020 Cai D14/223

D872,065 S * 1/2020 Cai D14/223
 D873,248 S * 1/2020 Weicheng D14/223
 D873,805 S * 1/2020 Yang D14/223
 D875,714 S * 2/2020 Kim D14/205
 D876,398 S * 2/2020 Cai D14/223
 D877,720 S * 3/2020 Madramotoo D14/223
 D877,721 S * 3/2020 Jung D14/223
 D880,457 S * 4/2020 Zhu D14/223
 D883,258 S * 5/2020 Wu D14/223
 D883,261 S * 5/2020 Zhang D14/223
 D883,262 S * 5/2020 Wu D14/223
 2011/0155147 A1 * 6/2011 McIntosh H04R 25/656
 128/864
 2011/0255729 A1 * 10/2011 Tan H04R 1/105
 381/380
 2012/0114160 A1 * 5/2012 Lin H04R 1/1091
 381/380
 2017/0026738 A1 * 1/2017 Tang H04R 1/1091
 2018/0035193 A1 * 2/2018 Tsubone H04R 1/10
 2018/0077484 A1 * 3/2018 Yeung H01Q 1/48
 2018/0103321 A1 * 4/2018 Seo H04R 1/1025
 2018/0160216 A1 * 6/2018 Dominijanni H04R 1/1066
 2019/0200112 A1 * 6/2019 Briggs H04R 1/105

* cited by examiner

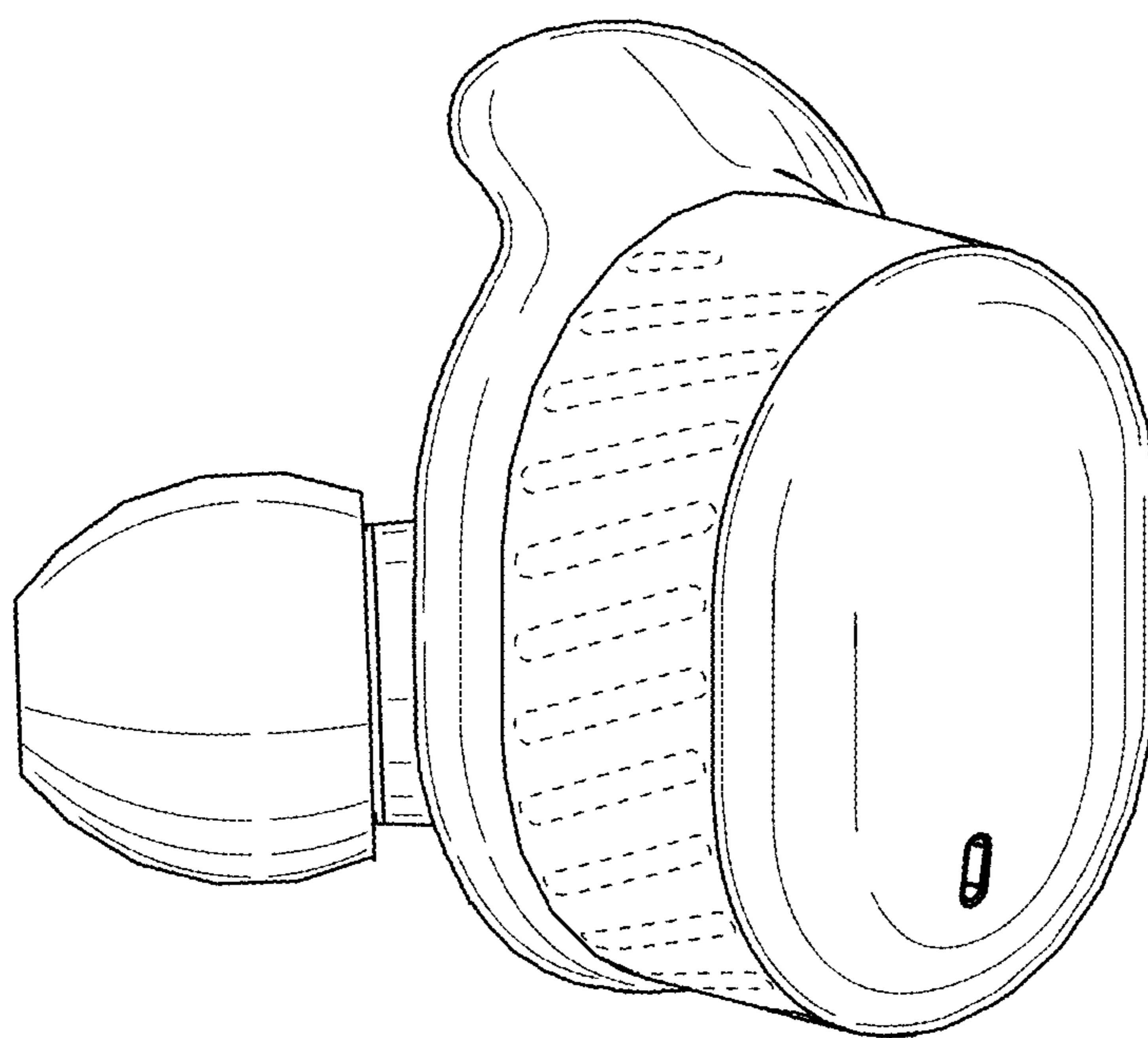


FIG. 1

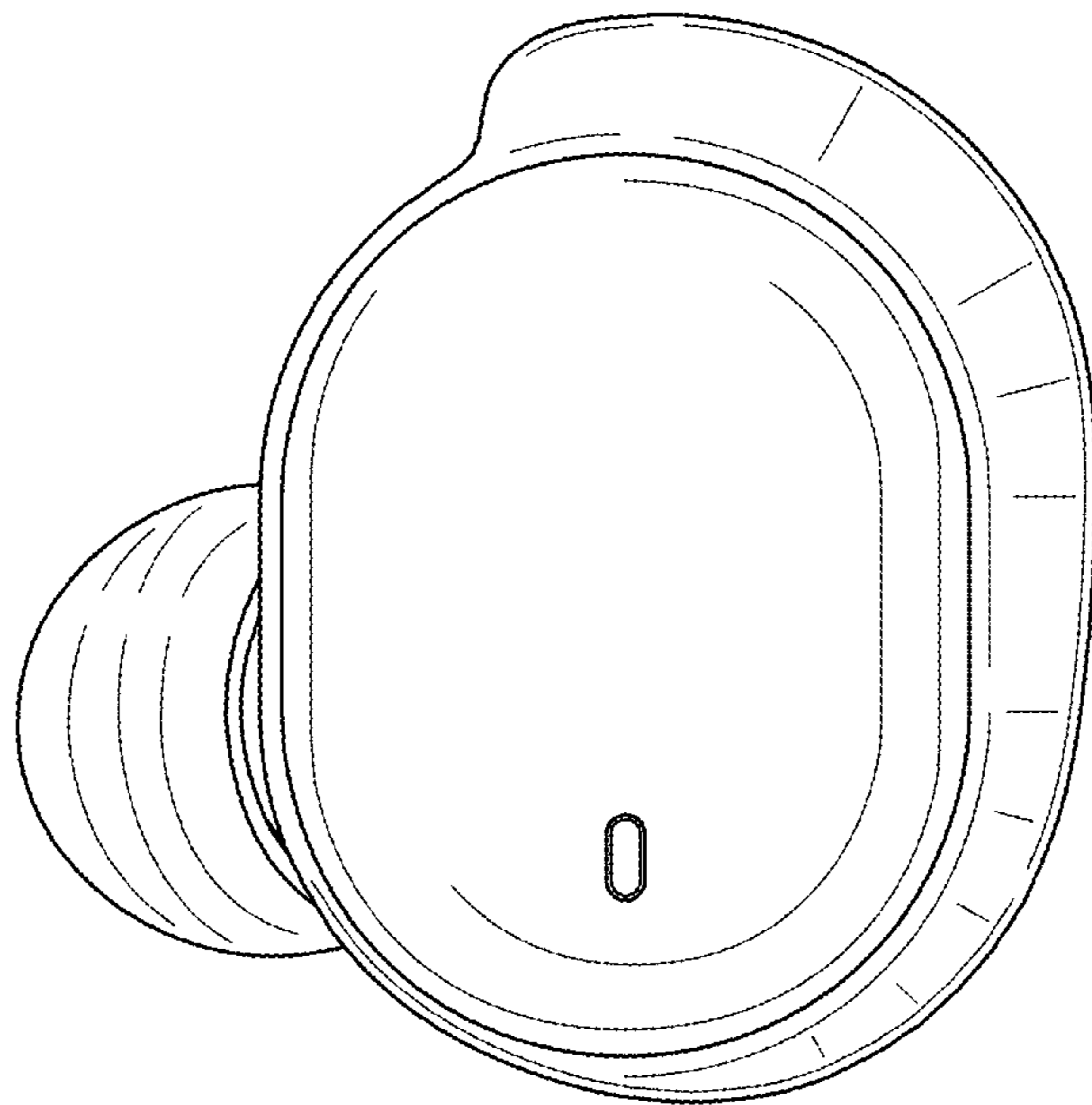


FIG. 2

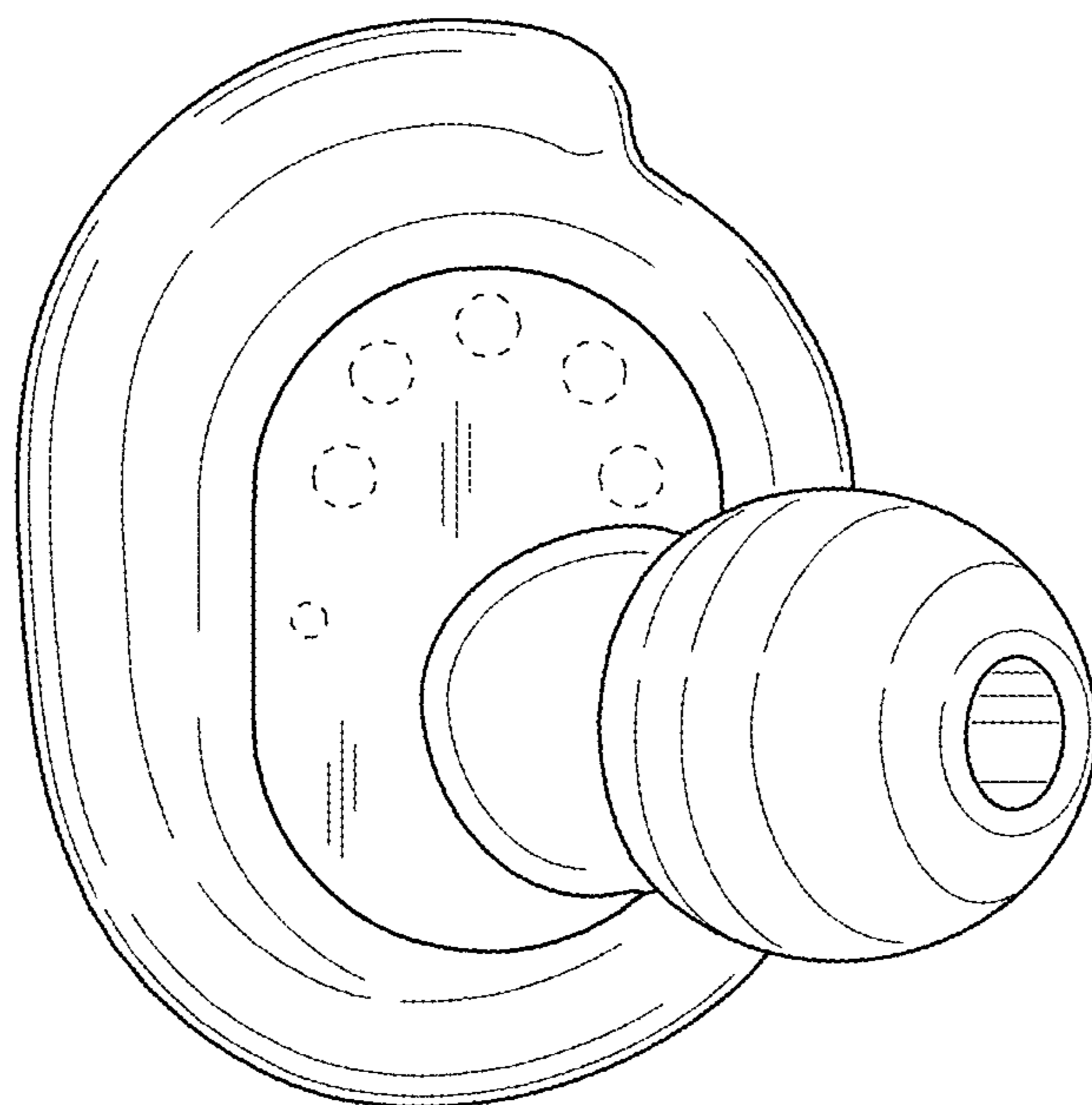


FIG. 3

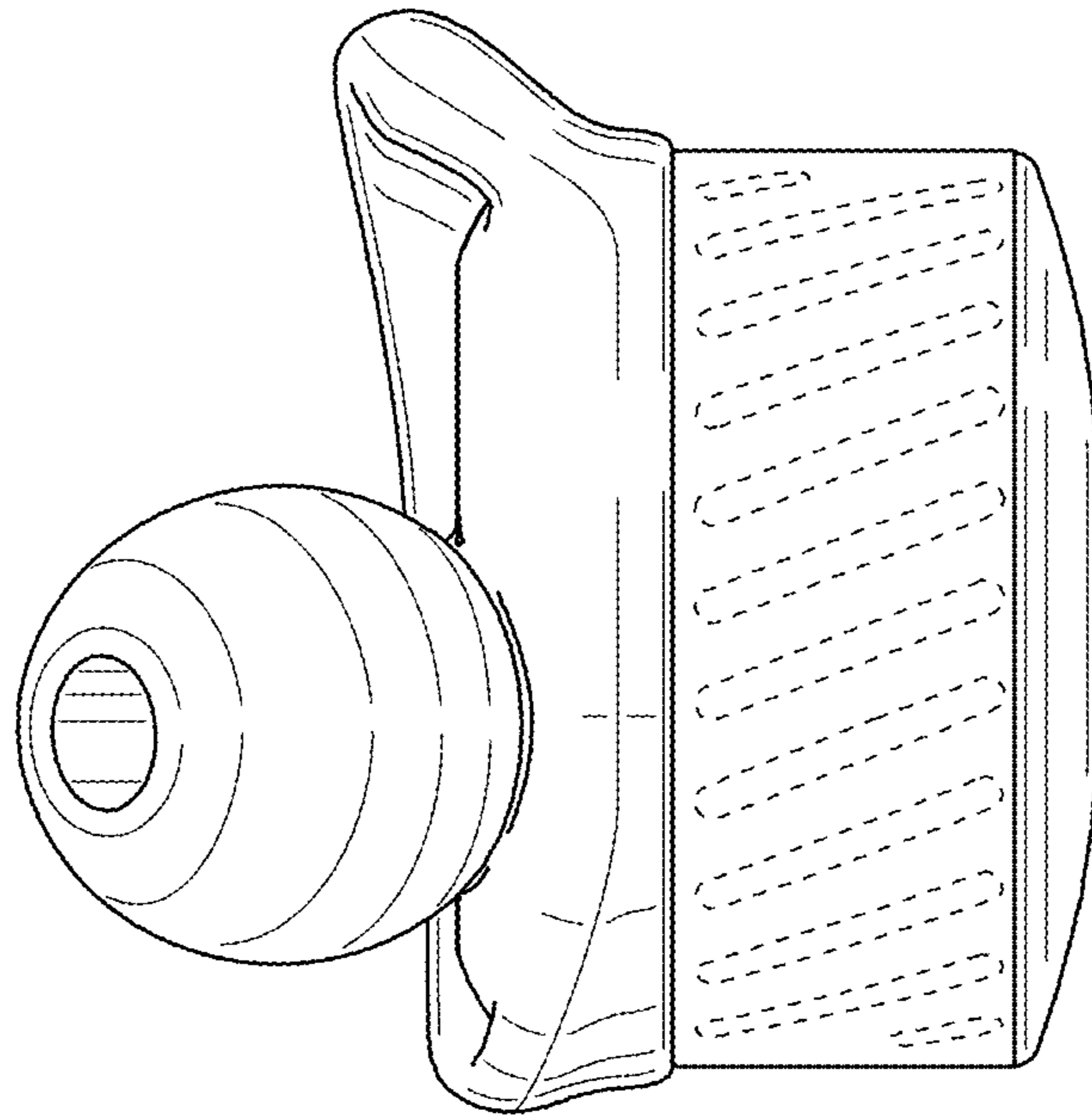


FIG. 4

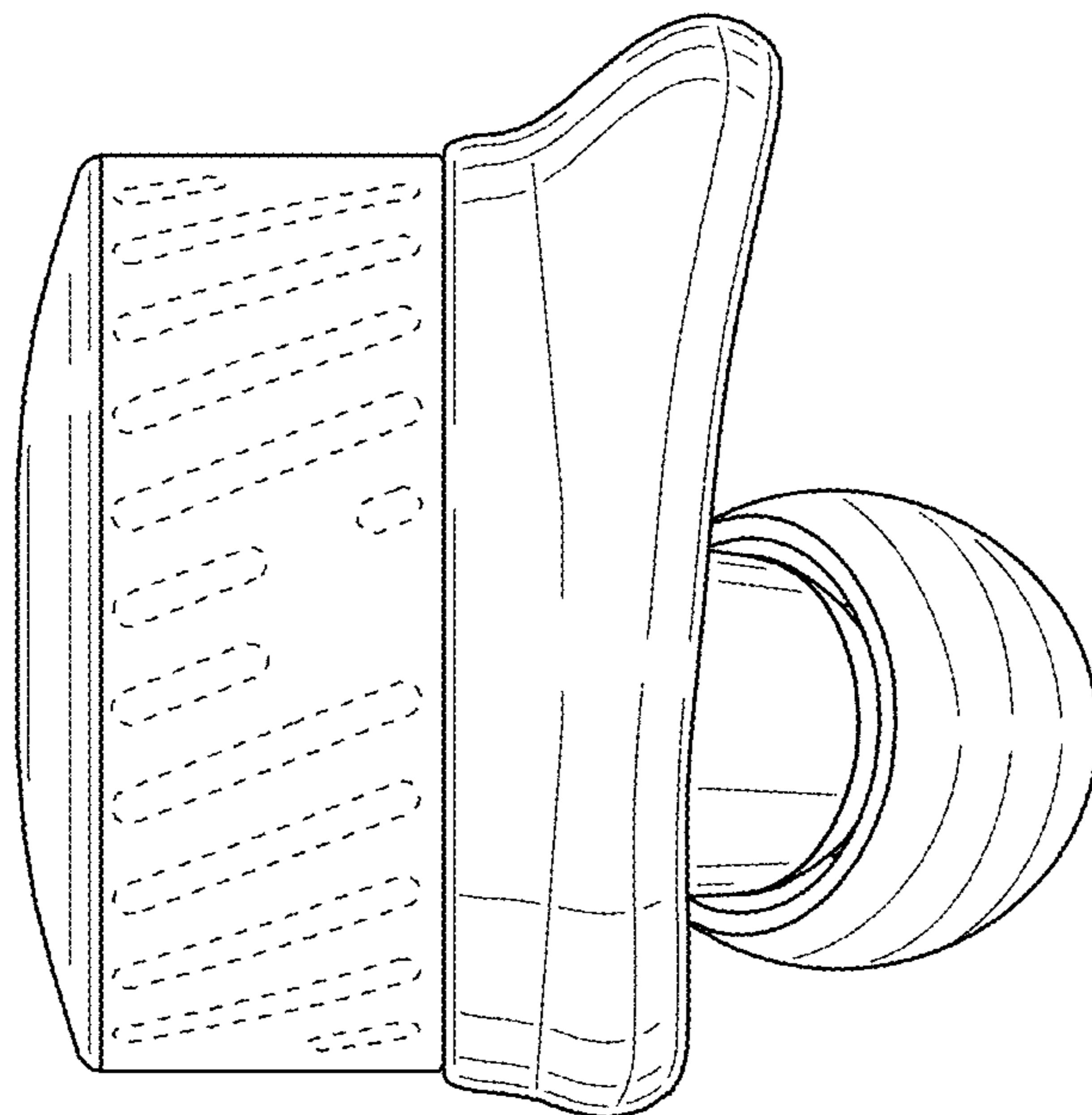


FIG. 5

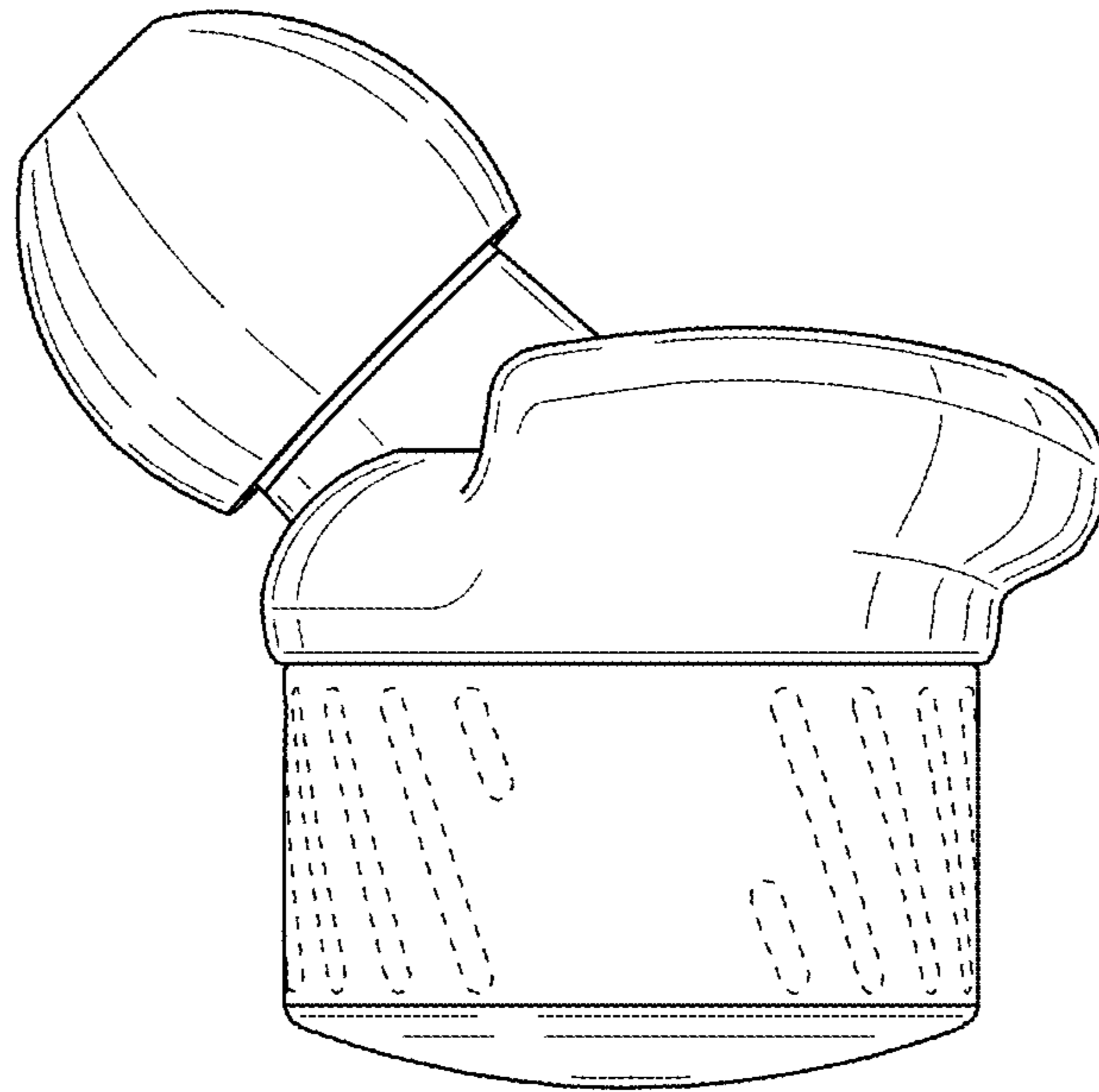


FIG. 6

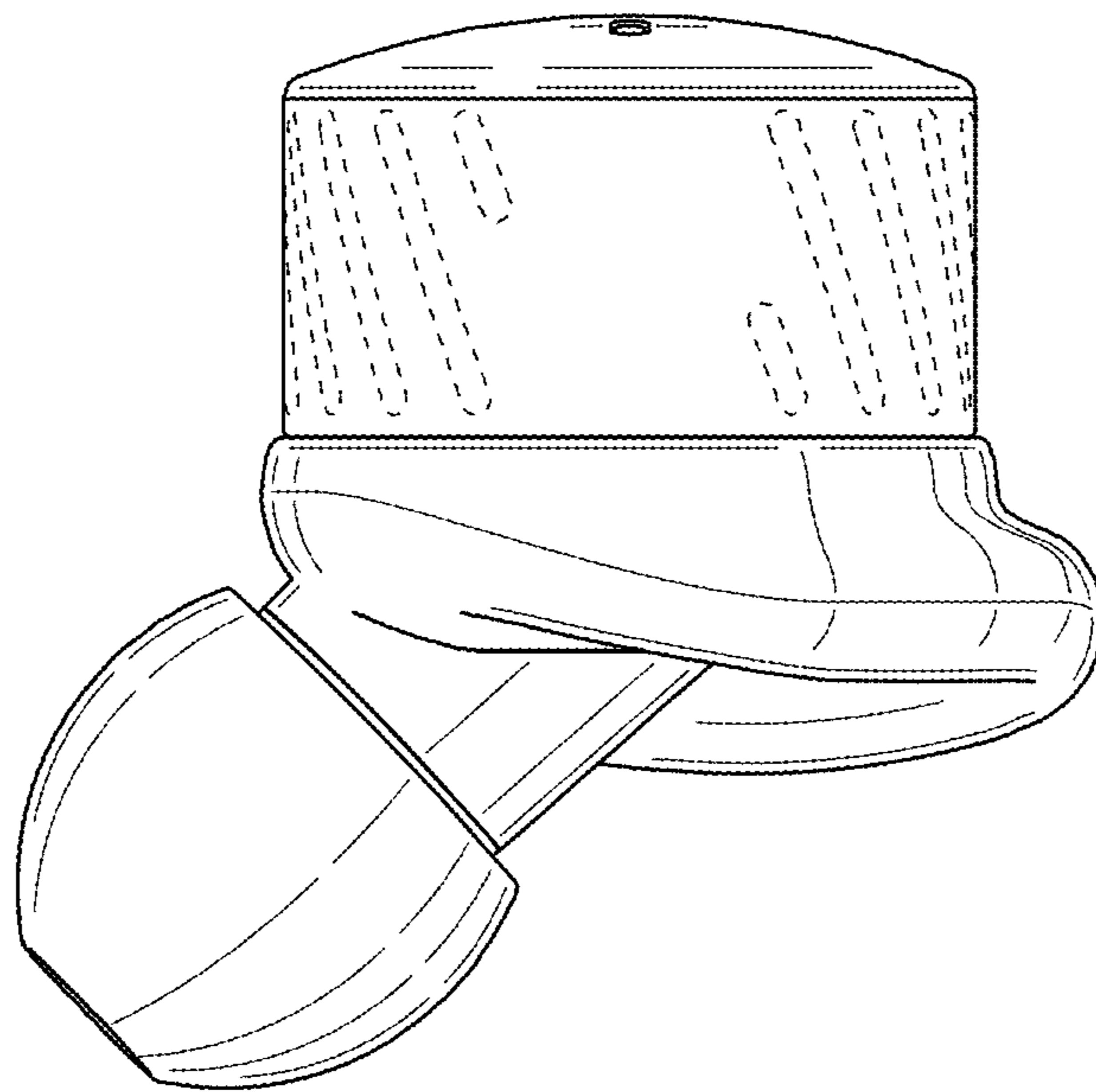


FIG. 7