



US00D928120S

(12) **United States Design Patent**  
**Lee et al.**

(10) **Patent No.:** **US D928,120 S**  
(45) **Date of Patent:** **\*\* Aug. 17, 2021**

(54) **MOUNT FOR ELECTRONIC DEVICE**

(71) Applicant: **elago CO. LTD**, Goyang-si (KR)

(72) Inventors: **Chanwoo Lee**, Goyang-si (KR); **Chong Min Kim**, Seoul (KR)

(73) Assignee: **elago CO. LTD**, Goyang-si (KR)

(\*\*) Term: **15 Years**

(21) Appl. No.: **29/688,731**

(22) Filed: **Apr. 24, 2019**

(51) **LOC (13) Cl.** ..... **14-03**

(52) **U.S. Cl.**  
USPC ..... **D14/217**

(58) **Field of Classification Search**  
USPC ..... D14/217, 204, 207, 209, 210, 211, 212, D14/213, 214, 215, 216, 221, 222, 224  
CPC ..... H04R 2201/003; H04R 2420/07; H04R 3/12; H04R 27/00; H04R 9/08; H04R 19/04; H04R 1/1016; H04R 1/2857; H04R 2410/03; H04R 2499/11; H04R 31/00; H04R 17/00; H04R 19/005; H04R 19/016; H04R 1/026; H04R 1/04; H04R 1/08; H04R 1/008; H04R 1/1041; H04R 1/1075; H04R 1/1083; H04R 1/24; H04R 1/2834; H04R 18/2846; H04R 1/2892; H04R 1/323; H04R 1/406; H04R 2225/33; H04R 2225/41; H04R 2225/49; H04R 2410/01; H04R 2430/01; H04R 2460/03; H04R 25/453; H04R 25/505; H04R 25/554; H04R 25/606; H04R 29/001; H04R 29/004; H04R 29/005; H04R 3/002; H04R 3/005; H04R 3/007; H04R 5/04; H04R 7/06; H04R 7/12; H04R 7/20

See application file for complete search history.

(56) **References Cited**

**U.S. PATENT DOCUMENTS**

D704,164	S	*	5/2014	Green	.....	D14/217
D742,856	S	*	11/2015	Skjoldborg	.....	D14/217
D750,598	S	*	3/2016	Alexander	.....	D14/217
D831,003	S	*	10/2018	Suzuki	.....	D14/217
D874,437	S	*	2/2020	Iwahori	.....	D14/217
D890,134	S	*	7/2020	Zong	.....	D14/217
D895,287	S	*	9/2020	Hyun	.....	D3/302
D895,288	S	*	9/2020	Hyun	.....	D3/302
D904,765	S	*	12/2020	Hyun	.....	D3/302
D922,354	S	*	6/2021	Gill	.....	D14/217
2008/0298026	A1	*	12/2008	Wang	.....	G06F 1/163 361/728
2015/0039039	A1	*	2/2015	Macho	.....	H01L 23/5387 607/5

(Continued)

*Primary Examiner* — Khawaja Anwar

(74) *Attorney, Agent, or Firm* — Paratus Law Group, PLLC

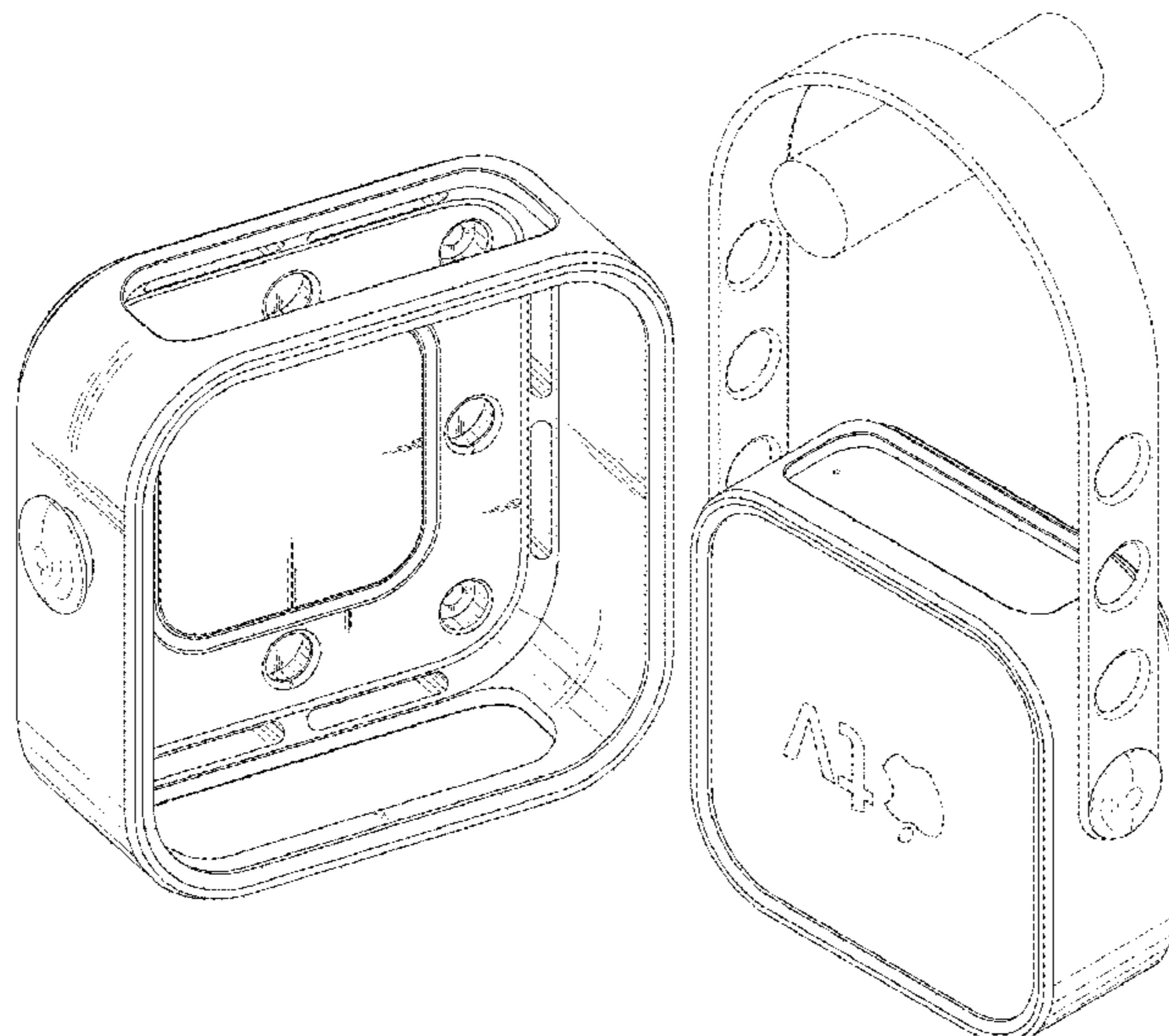
(57) **CLAIM**

The ornamental design for a mount for electronic device, as shown and described.

**DESCRIPTION**

FIG. 1 is a front, top and left perspective view of mount for electronic device showing claimed design;  
FIG. 2 is a front view thereof;  
FIG. 3 is a back view thereof;  
FIG. 4 is a left side view thereof;  
FIG. 5 and a right view thereof;  
FIG. 6 is a top view thereof;  
FIG. 7 is a bottom view thereof;  
FIG. 8 is a back, top and right perspective view thereof;  
FIG. 9 is a first reference view thereof, which shows the claimed design fixed on a wall, in use; and,  
FIG. 10 is a second reference view thereof, which shows the claimed design hung on a bar with a strap, in use.  
The broken lines shown in FIGS. 9 and 10 depict environment and form no part of the claimed design.

**1 Claim, 8 Drawing Sheets**



(56)

**References Cited**

U.S. PATENT DOCUMENTS

2016/0166321 A1\* 6/2016 Amsler ..... B23P 19/04  
607/5

\* cited by examiner

FIG. 1

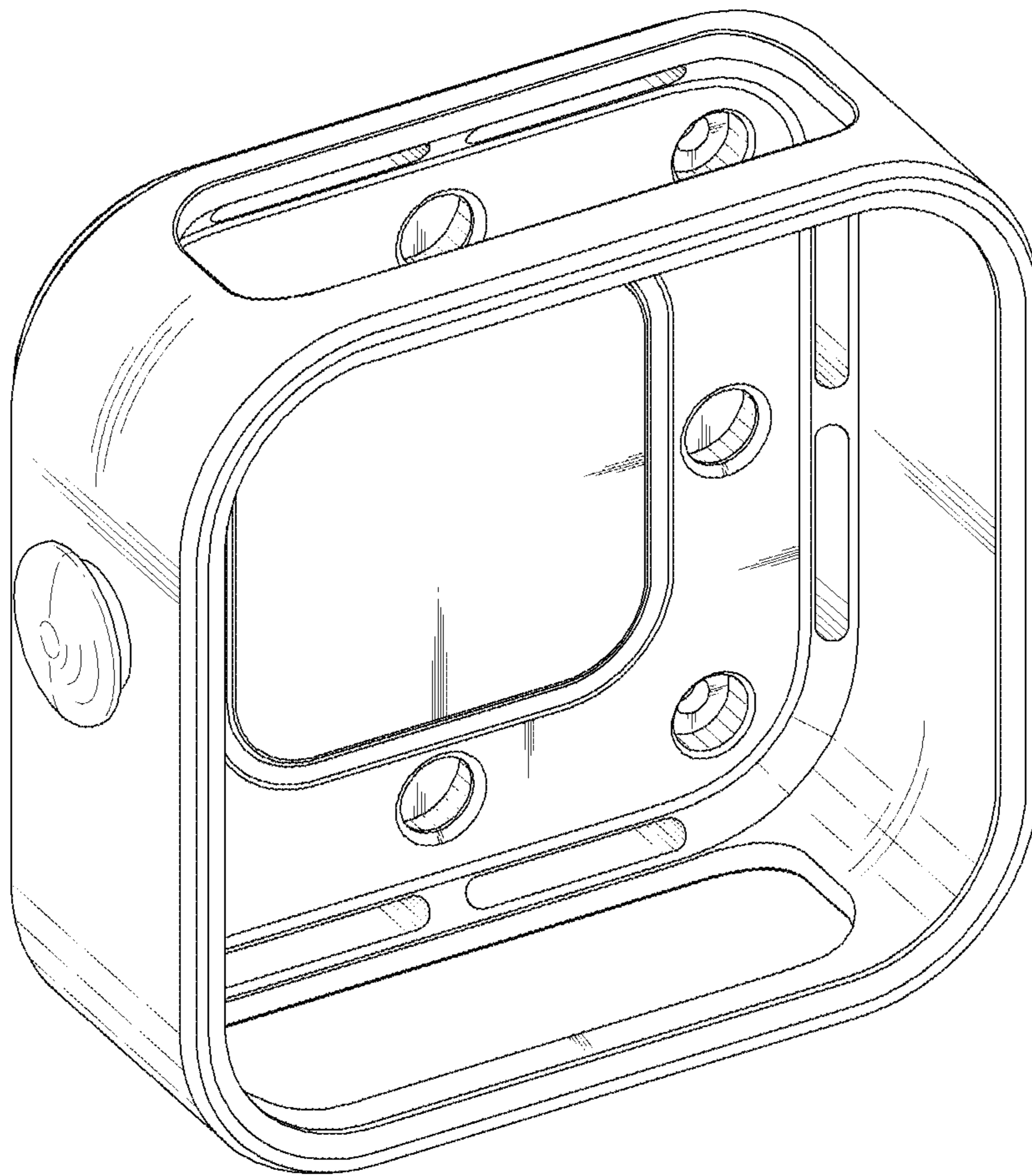


FIG. 2

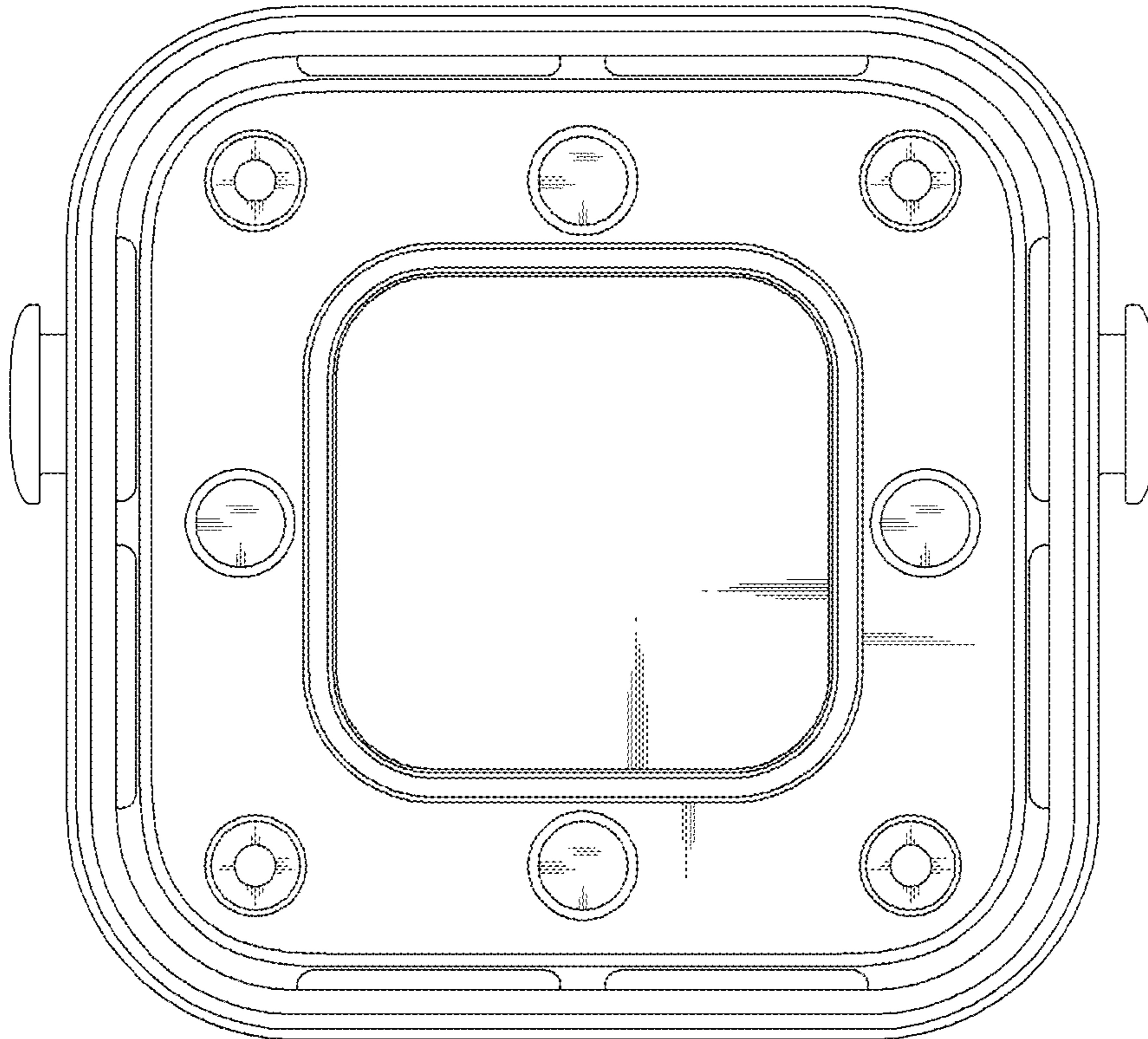


FIG. 3

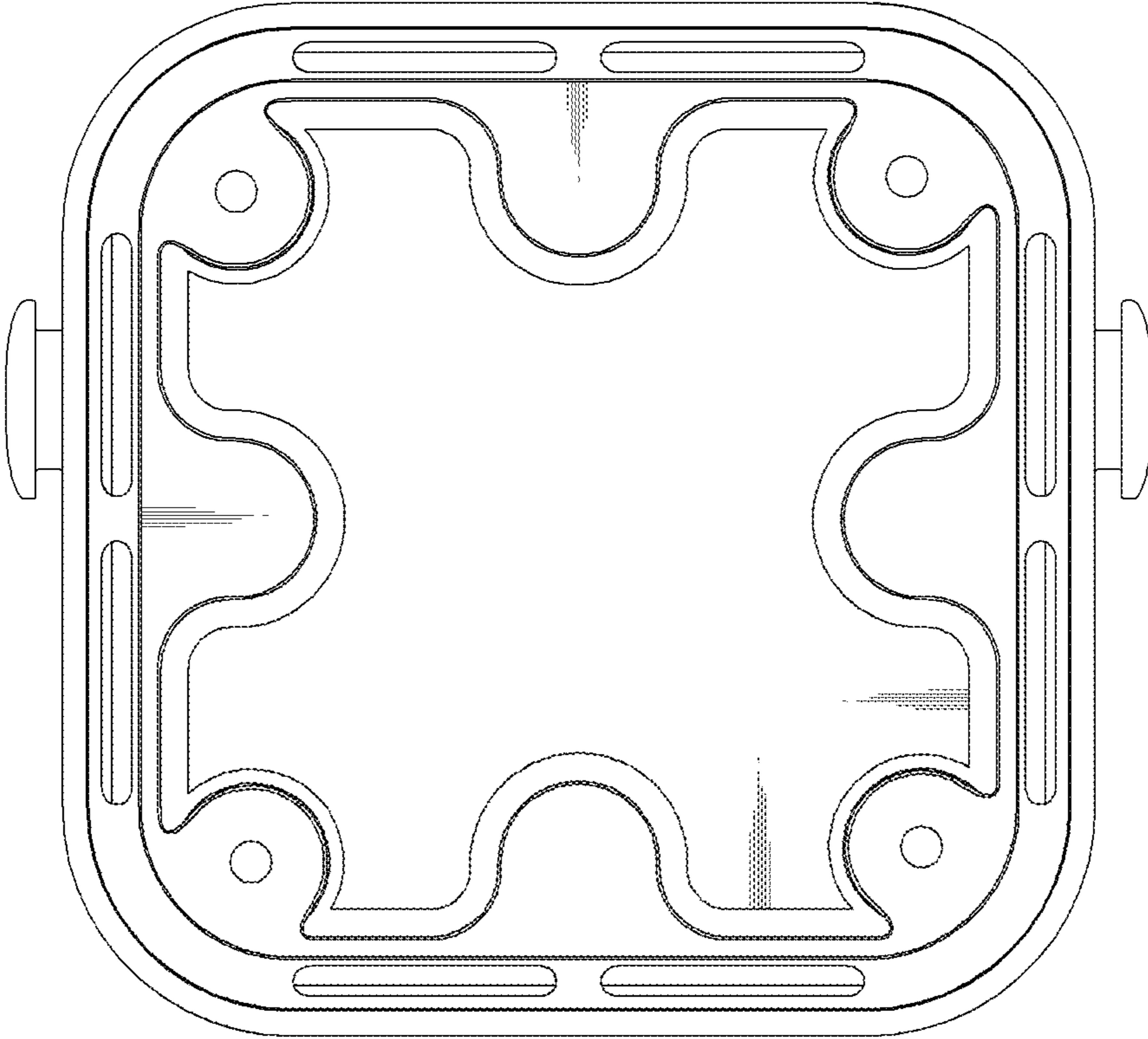


FIG. 4

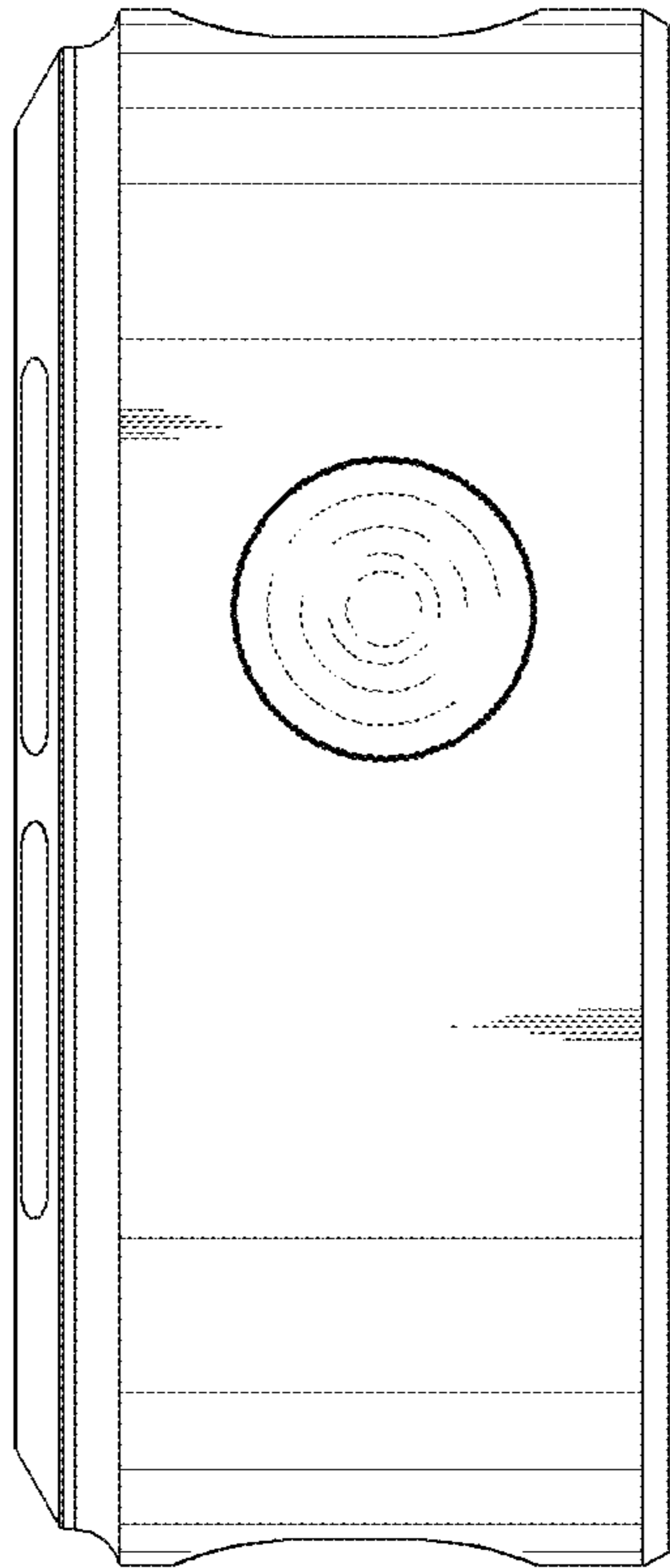


FIG. 5

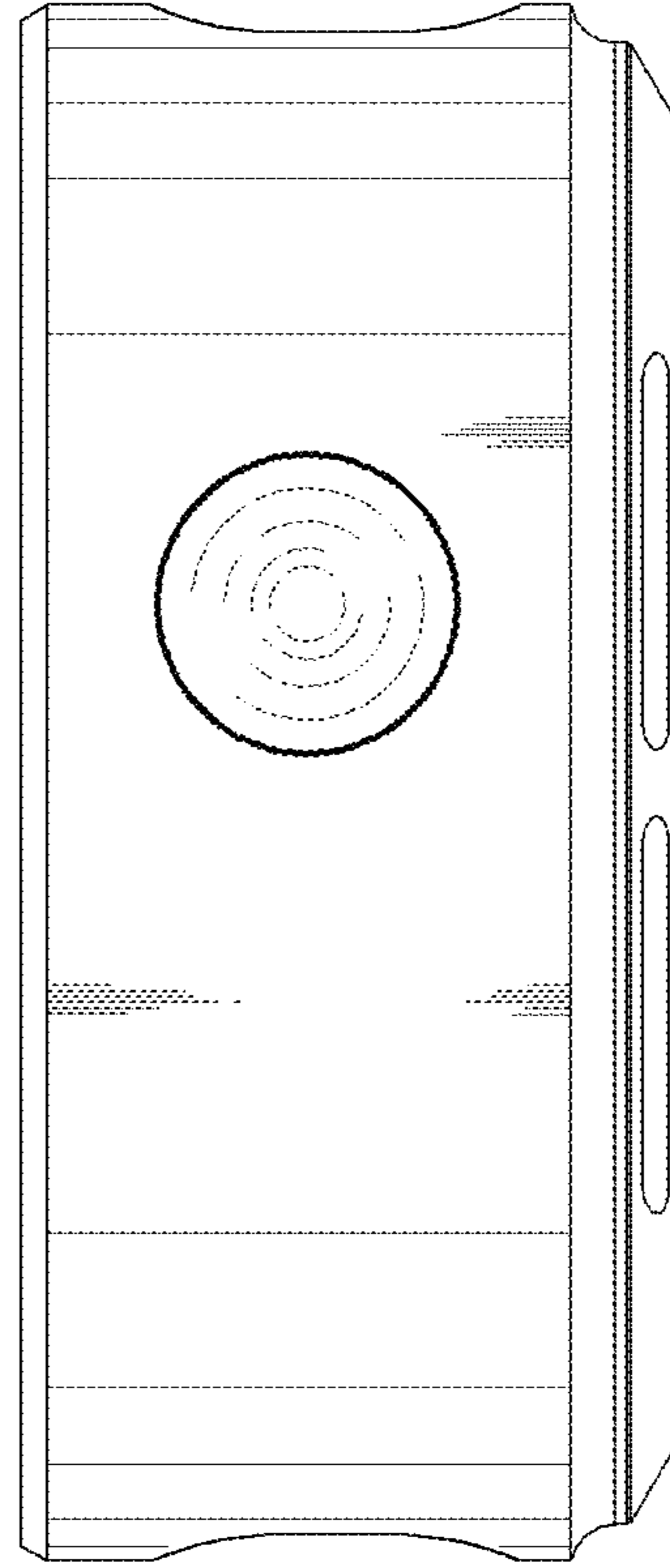


FIG. 6

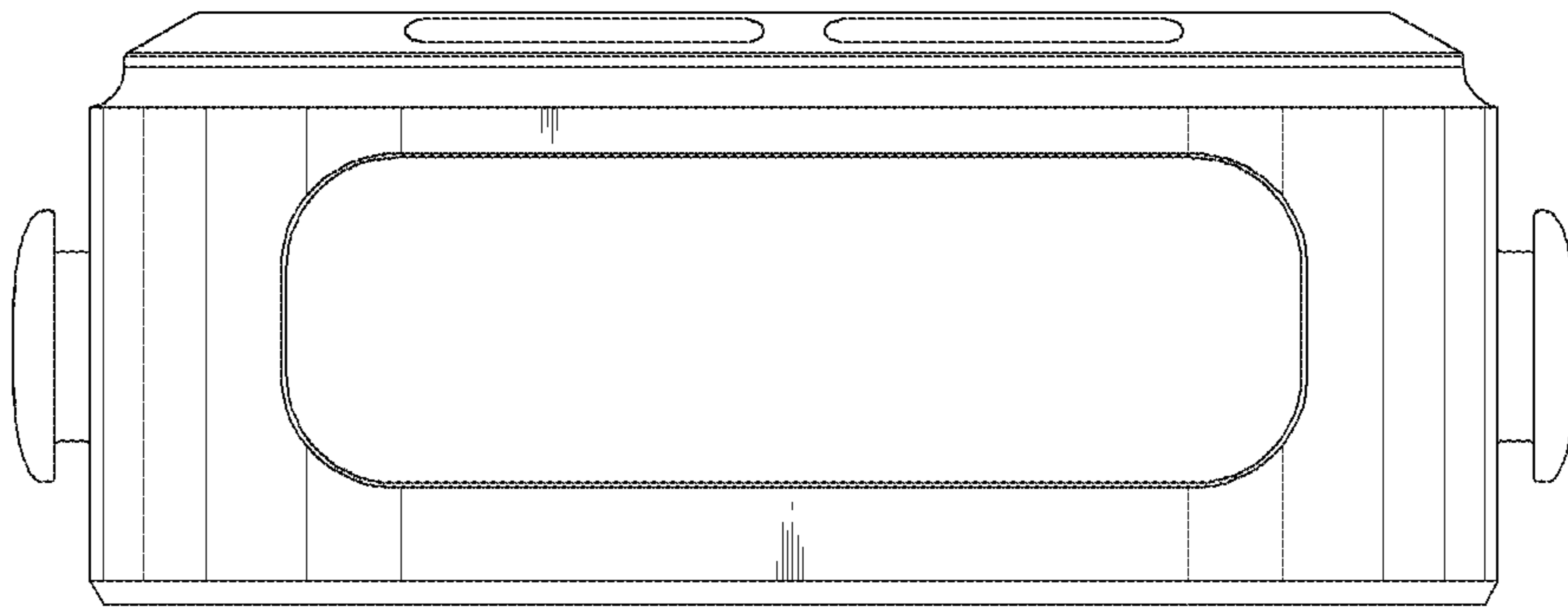


FIG. 7

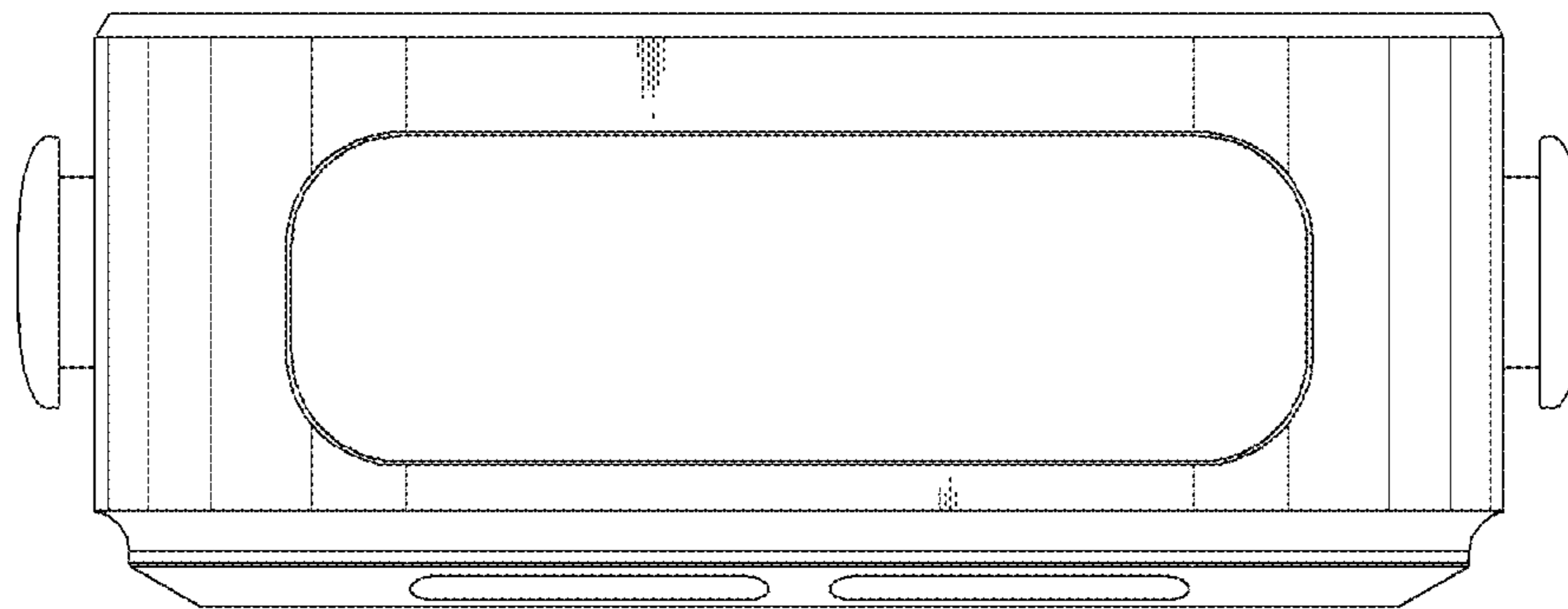


FIG. 8

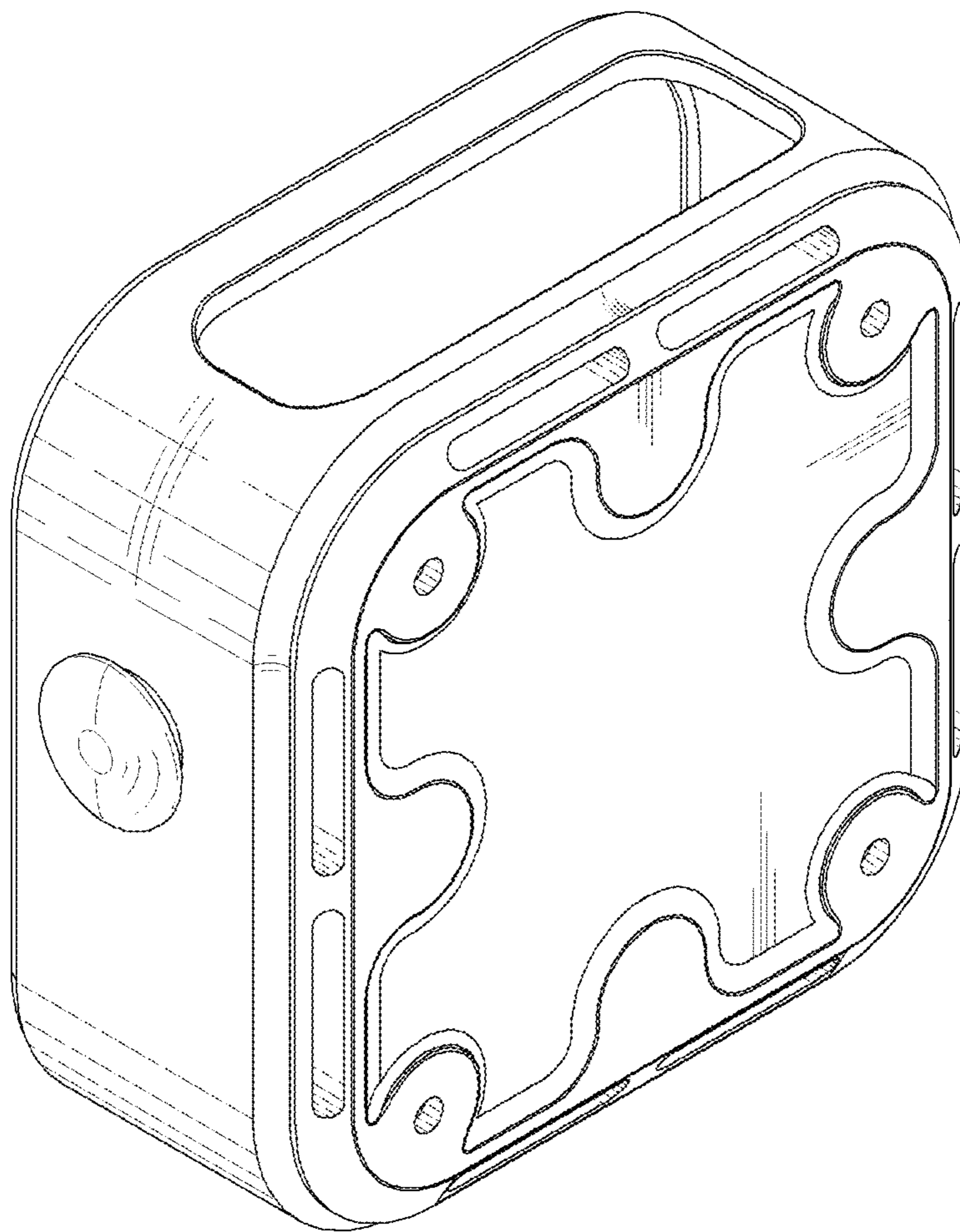




FIG. 9

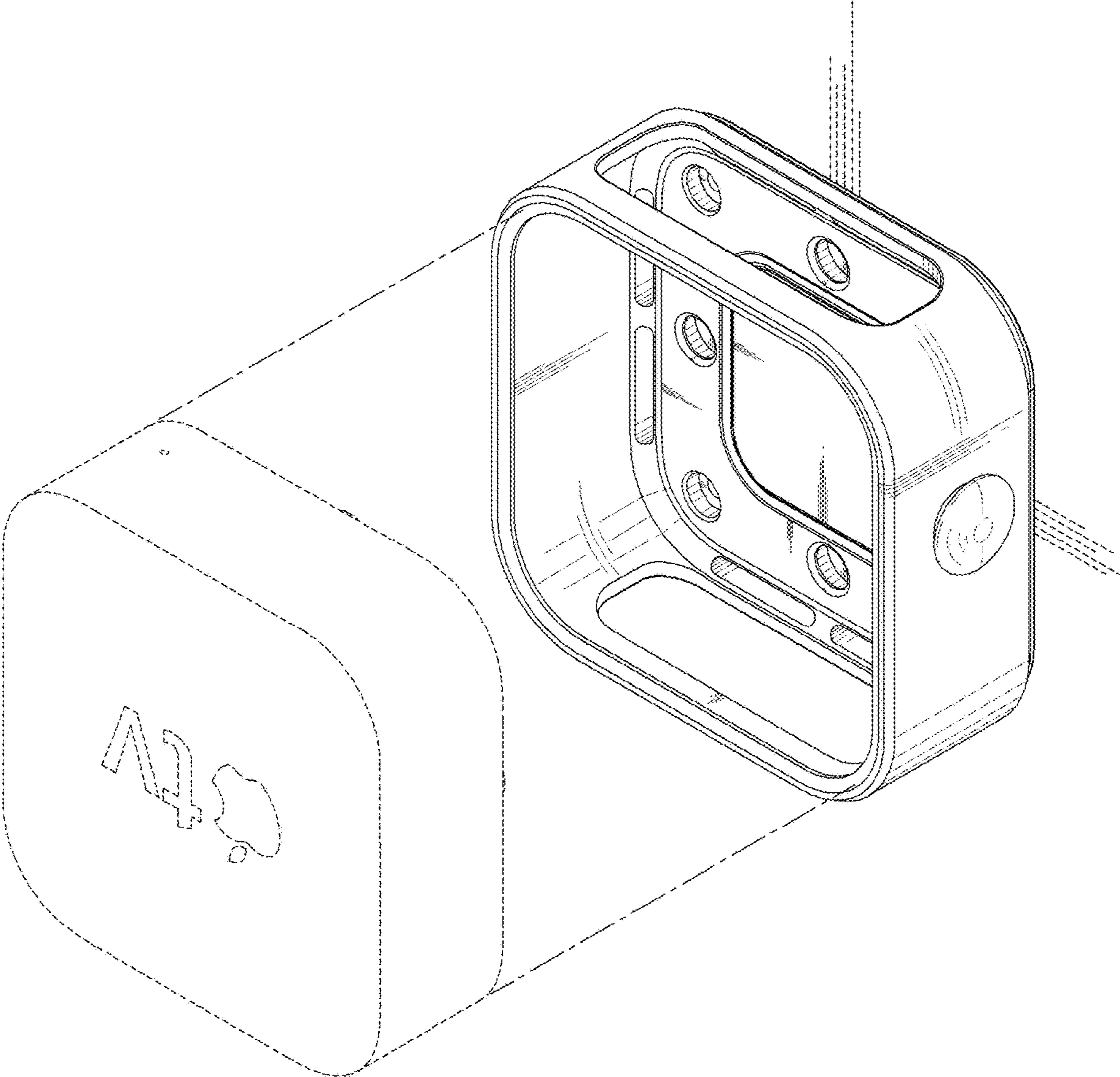


FIG. 10

