



US00D928119S

(12) **United States Design Patent** (10) **Patent No.:** **US D928,119 S**
Walter et al. (45) **Date of Patent:** **** Aug. 17, 2021**

(54) **PORTABLE SPEAKER**

FOREIGN PATENT DOCUMENTS

(71) Applicant: **POW Audio Inc.**, Boxford, MA (US)

CN 305552189 S 1/2020
CN 305568033 S 1/2020

(72) Inventors: **Cameron V. Walter**, Boxford, MA (US); **Glen V. Walter**, Boxford, MA (US); **Gabor Paulke**, Littleton, NH (US)

(Continued)

(73) Assignee: **POW Audio Inc.**, Boxford, MA (US)

OTHER PUBLICATIONS

(**) Term: **15 Years**

The POW Audio Una X, (c) 2020 [online], [retrieved Jun. 4, 2020], Retrieved from internet, URL: <<https://www.trendhunter.com/trends/pow-audio-una-x>> (Year: 2020).*

(21) Appl. No.: **29/682,388**

Primary Examiner — Barbara Fox
Assistant Examiner — Aram Kwon

(22) Filed: **Mar. 5, 2019**

(74) *Attorney, Agent, or Firm* — Hamilton, Brook, Smith & Reynolds, P.C.

(51) **LOC (13) Cl.** **14-01**

(57) **CLAIM**

(52) **U.S. Cl.**

The ornamental design for a portable speaker, as shown and described.

USPC **D14/216**

(58) **Field of Classification Search**

DESCRIPTION

USPC D14/214, 215, 216, 221, 204, 205, 206, D14/207, 208, 209, 209.1, 210, 211, 212, D14/213; D28/82

CPC .. G10K 13/00; G10K 9/13; H01F 1/03; H01F 3/10; H01F 7/0289

See application file for complete search history.

FIG. 1 is a perspective view of a portable speaker in an expanded state, showing our new design.
FIG. 2 is a front view thereof.
FIG. 3 is a right view thereof.
FIG. 4 is a back view thereof.
FIG. 5 is a left view thereof.
FIG. 6 is a top view thereof.
FIG. 7 is a bottom view thereof.
FIG. 8 is a perspective view of a portable speaker in a collapsed state, showing our new design.
FIG. 9 is a front view thereof.
FIG. 10 is a right view thereof.
FIG. 11 is a back view thereof.
FIG. 12 is a left view thereof.
FIG. 13 is a top view thereof; and,
FIG. 14 is a bottom view thereof.
The broken lines in the drawings depict portions of the portable speaker that form no part of the claimed design.

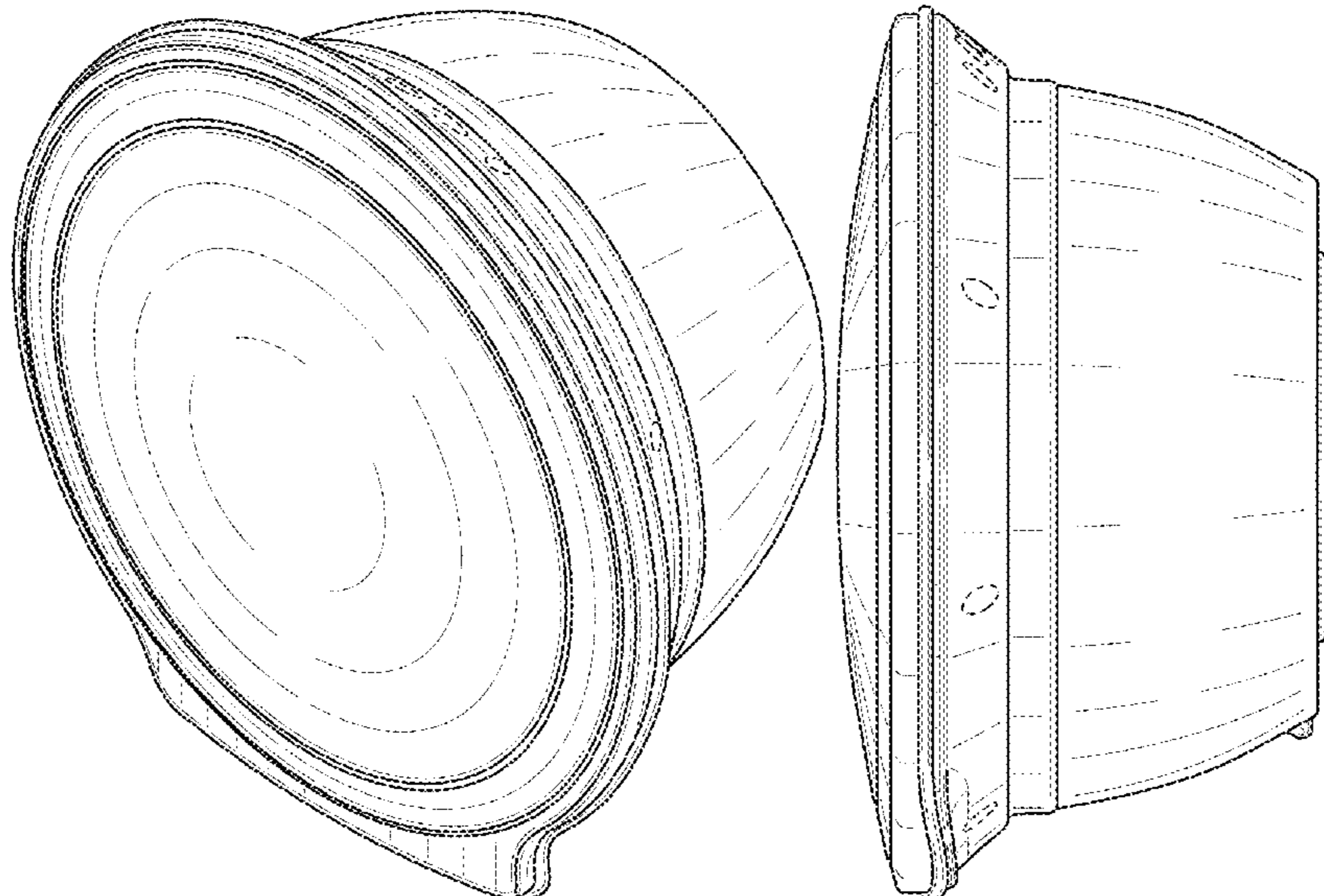
(56) **References Cited**

U.S. PATENT DOCUMENTS

- D247,562 S * 3/1978 Walker D14/209
- D318,346 S * 7/1991 Bakic D28/82
- D341,592 S * 11/1993 Queen D14/209
- D391,944 S * 3/1998 Han D14/356
- D412,222 S * 7/1999 Bakic D28/82
- D415,652 S * 10/1999 Loew D7/392.1
- D531,159 S * 10/2006 Park D14/203.3
- D620,256 S * 7/2010 Fujimura D3/294
- D634,477 S * 3/2011 Morabito D28/64.1

(Continued)

1 Claim, 8 Drawing Sheets



(56)

References Cited

U.S. PATENT DOCUMENTS

8,284,972 B2 10/2012 Lin
 D671,367 S * 11/2012 Shah D7/542
 D681,877 S * 5/2013 Curry D28/7
 D718,280 S * 11/2014 Yoon D14/216
 D728,520 S 5/2015 Zhang
 D728,521 S 5/2015 Zhang
 D728,522 S 5/2015 Zhang
 D728,525 S 5/2015 Zhang
 D728,526 S 5/2015 Zhang
 D752,024 S * 3/2016 Kachwalla D14/216
 9,351,066 B2 5/2016 Walter et al.
 D781,699 S * 3/2017 Pan D9/423
 D781,818 S * 3/2017 Pera D14/209
 D816,994 S * 5/2018 Fischer D3/294
 D824,765 S * 8/2018 Metais D9/504
 D840,376 S * 2/2019 Sakata D14/216
 D859,363 S * 9/2019 Chalabi D14/216
 D859,364 S * 9/2019 Chalabi D14/216
 D864,914 S * 10/2019 Kitamura D14/216
 D866,517 S * 11/2019 Wakasa D14/216
 D867,334 S * 11/2019 She D14/216
 D896,515 S * 9/2020 Cooper D3/273
 2004/0252859 A1 12/2004 Saiki
 2008/0118098 A1 5/2008 Irby et al.
 2008/0279406 A1 11/2008 D’Hoogh
 2010/0194578 A1 8/2010 Zhang
 2012/0063626 A1 3/2012 Peng

2012/0163620 A1 6/2012 Zhang
 2013/0003984 A1 1/2013 Belafonte et al.
 2014/0093097 A1 4/2014 Zhang

FOREIGN PATENT DOCUMENTS

CN 201930091525.4 * 1/2020
 EM 006721783-0001 * 11/2019
 EM 006721783-0002 * 11/2019
 EM 006721783-0009 * 11/2019
 JP 2007-129539 A 5/2007
 WO 2013/078916 A1 6/2013

OTHER PUBLICATIONS

New Expandable Una™ Speaker, (c) 2019 [online], [retrieved Jun. 4, 2020], Retrieved from internet, URL: <<https://www.prnewswire.com/news-releases/pow-audio-grows-product-portfolio-with-new-expandable-una-speaker-line-300921259.html>> (Year: 2019).
 DrFaulken, Gibberish Is My Native Language, “Powered Portable Speaker Shootout,” [online], Dec. 13, 2011 [retrieved on Jul. 15, 2014]; Retrieved from the Internet URL: <http://journal.drfaulken.com/powered-portable-speaker-shootout/>.
 SMARTV LTD, “TranXformer™,” <http://www.tranxformer.com> (last visited Jun. 2015).
 Notification of Transmittal of the International Search Report and the Written Opinion of the International Searching Authority for PCT/US2014/051037, “Expandable Speaker,” dated Nov. 24, 2014.

* cited by examiner

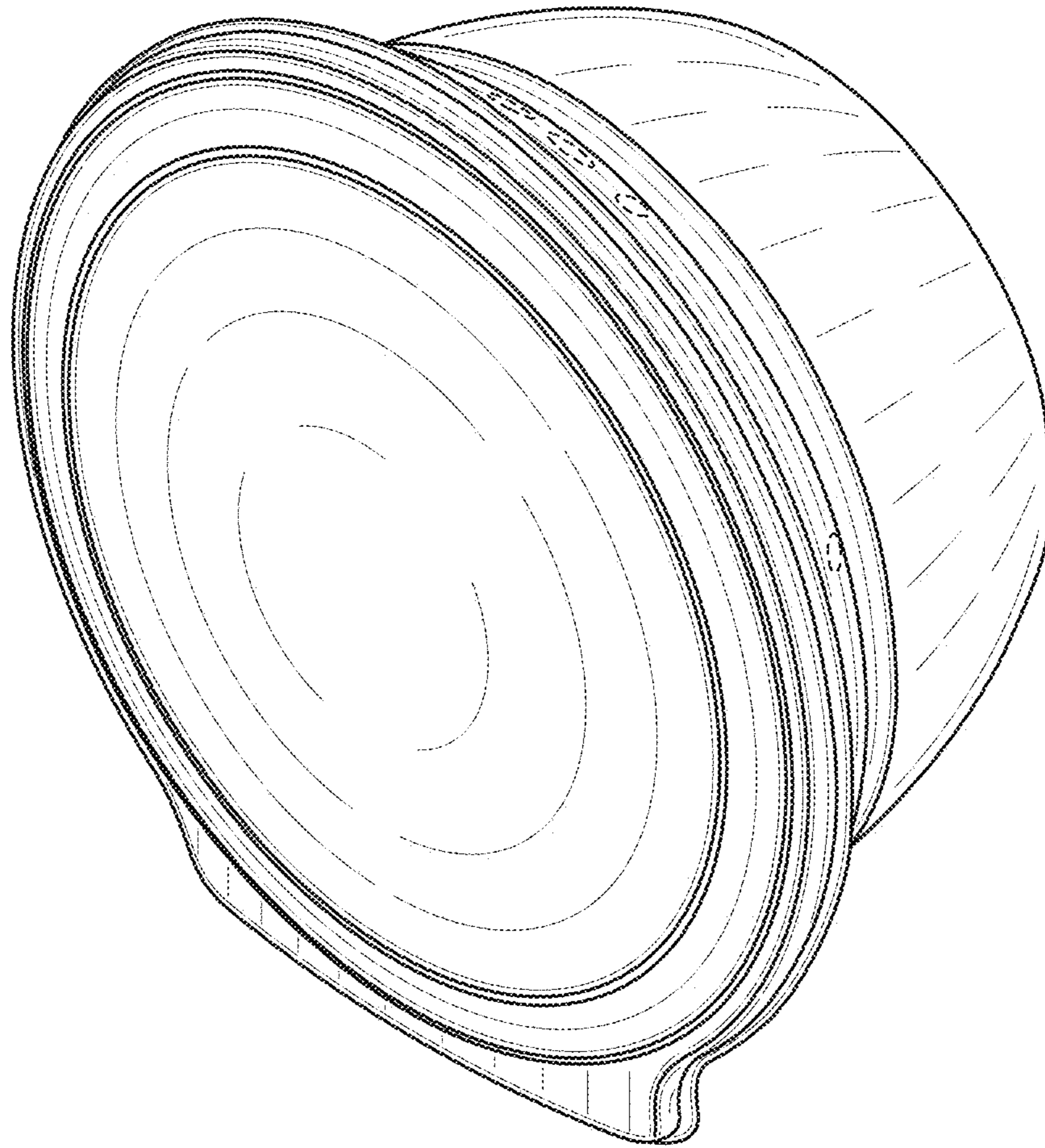


FIG. 1

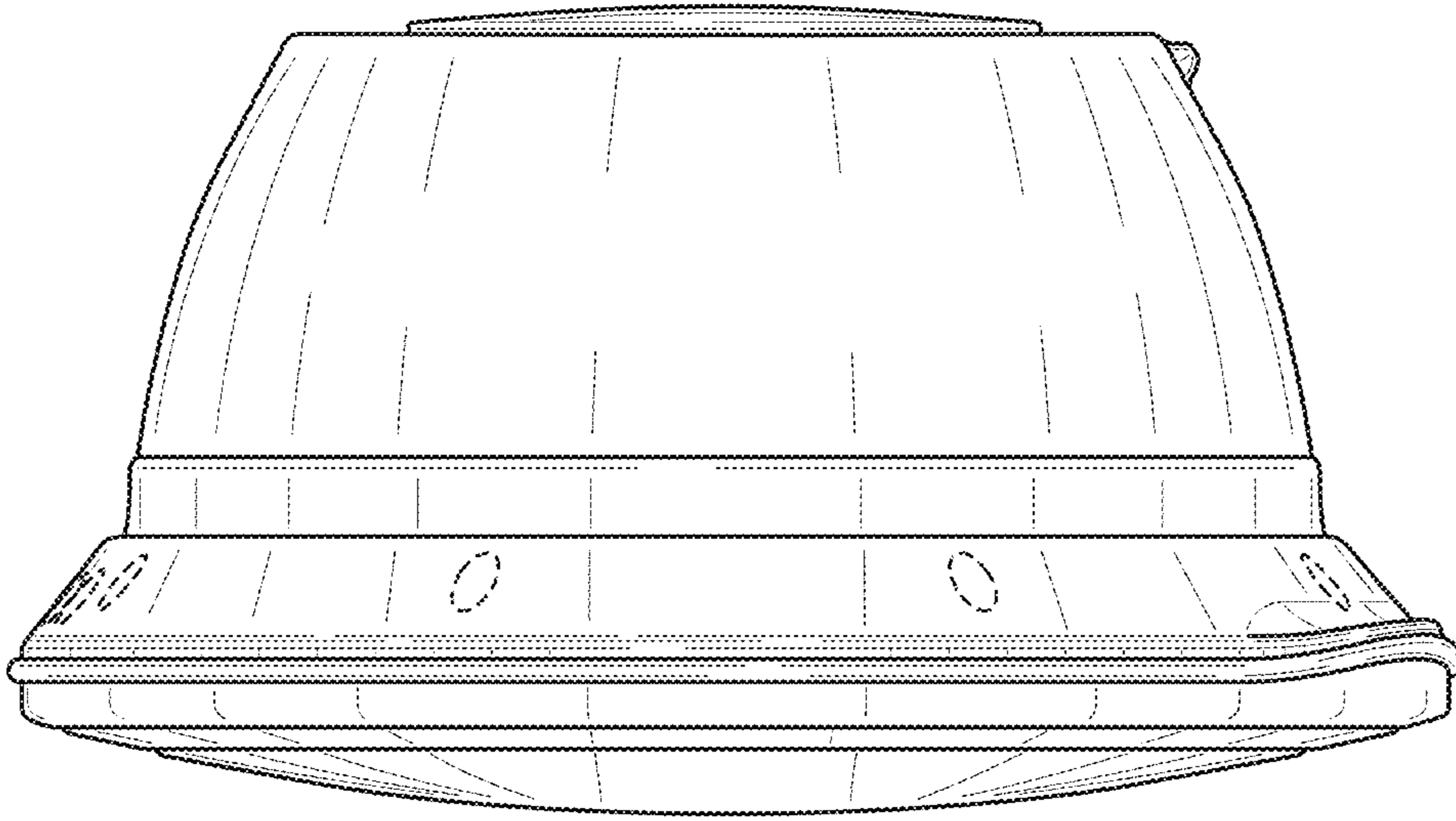


FIG. 3

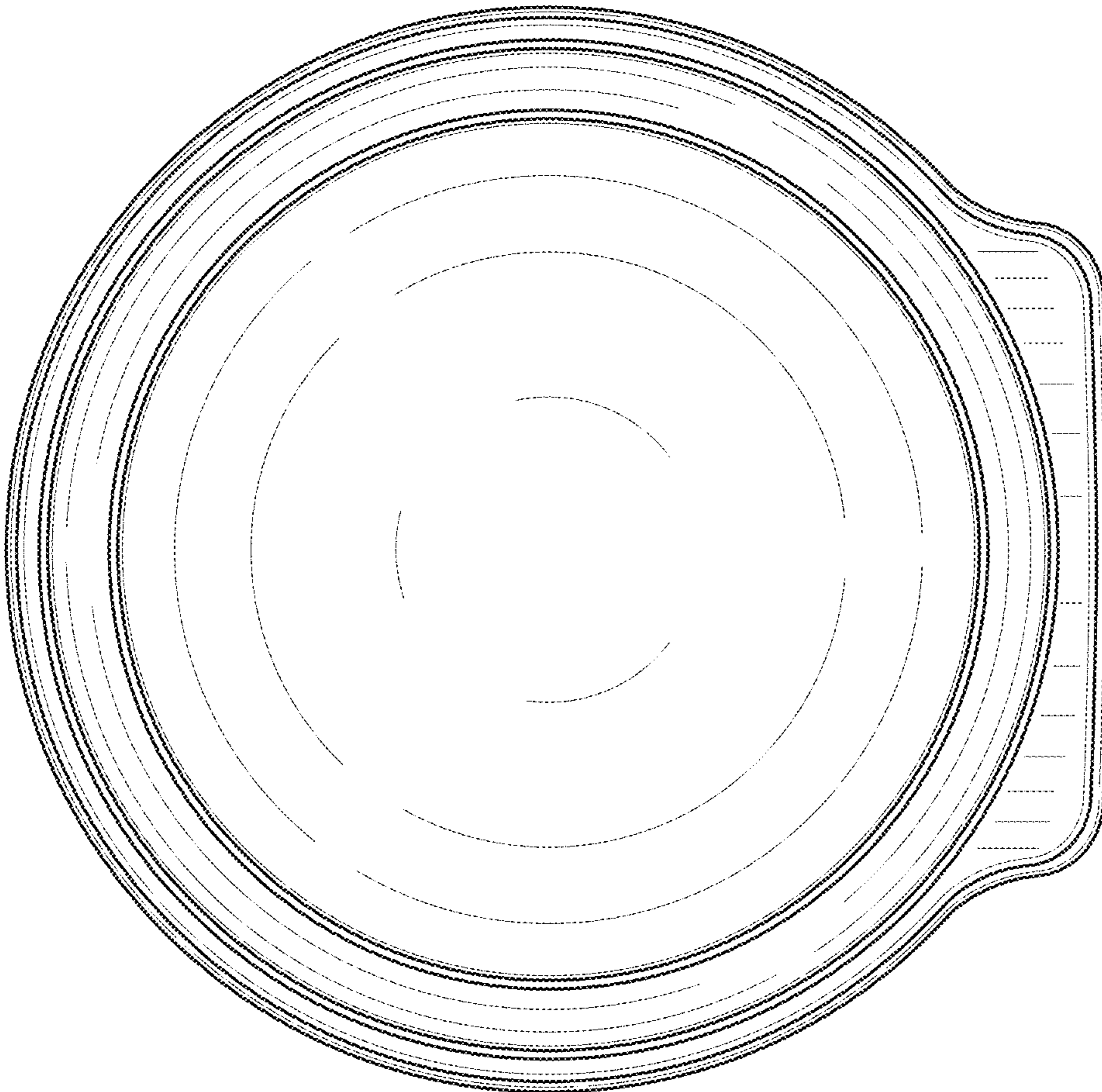


FIG. 2

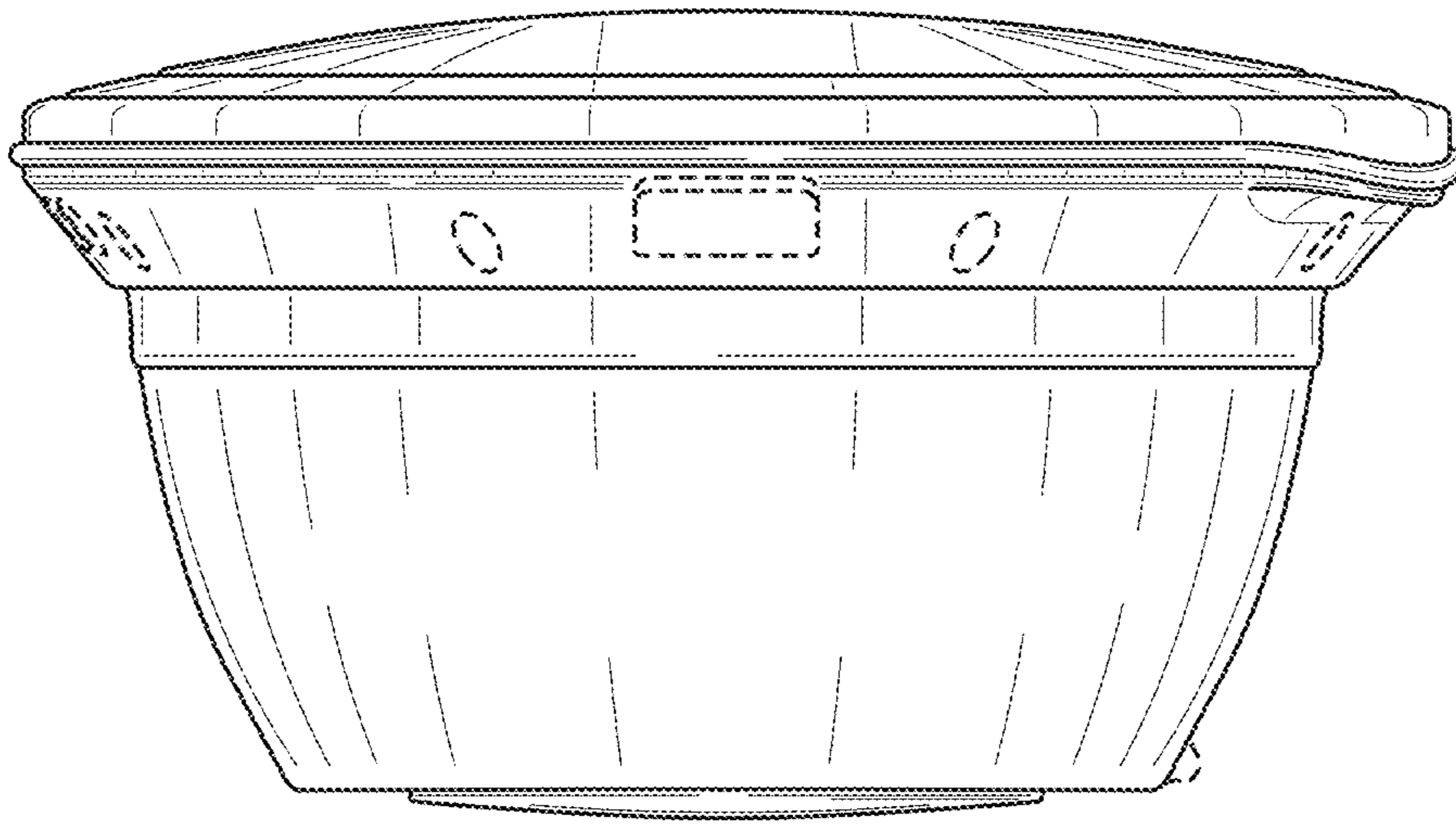


FIG. 5

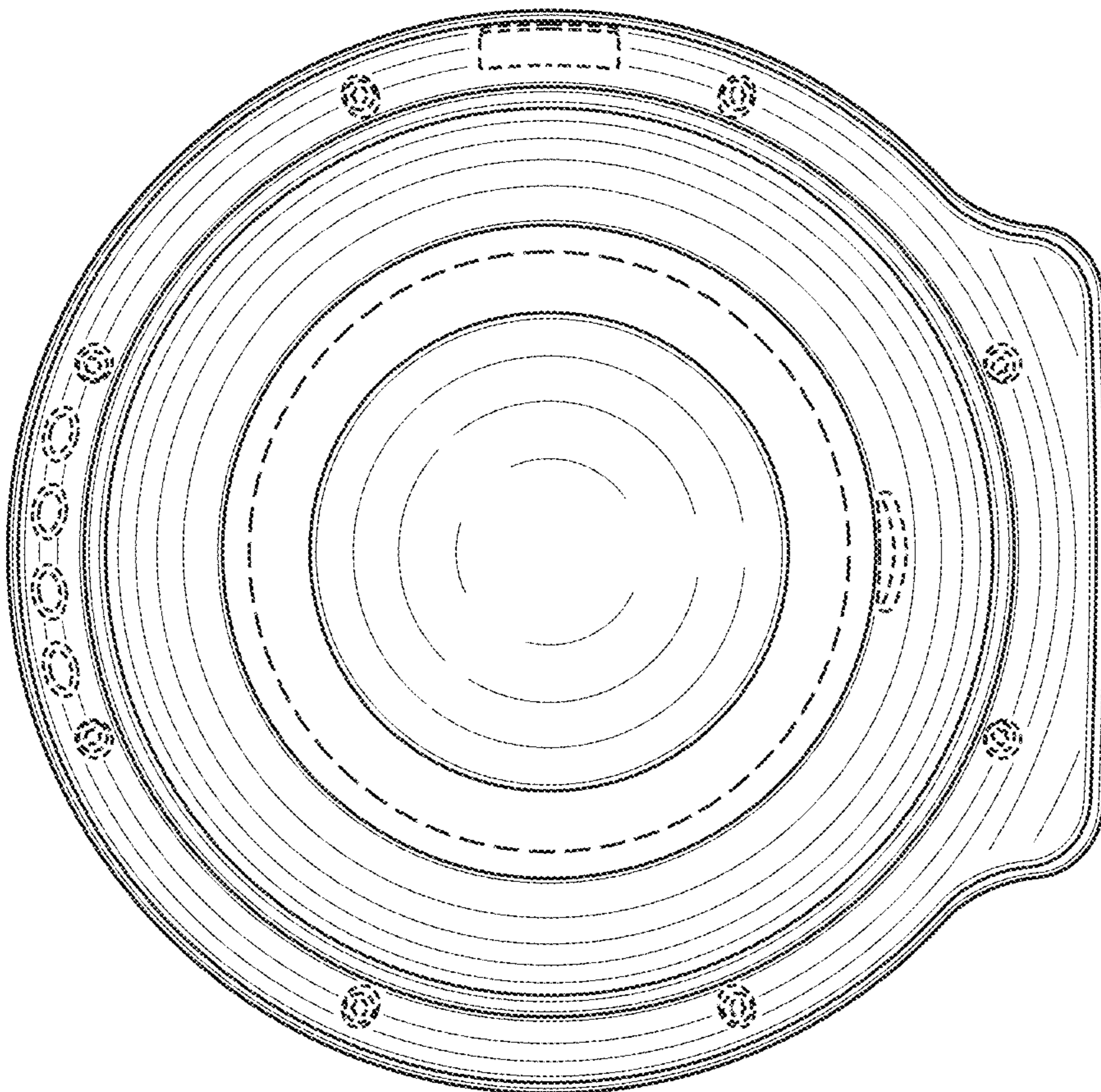


FIG. 4

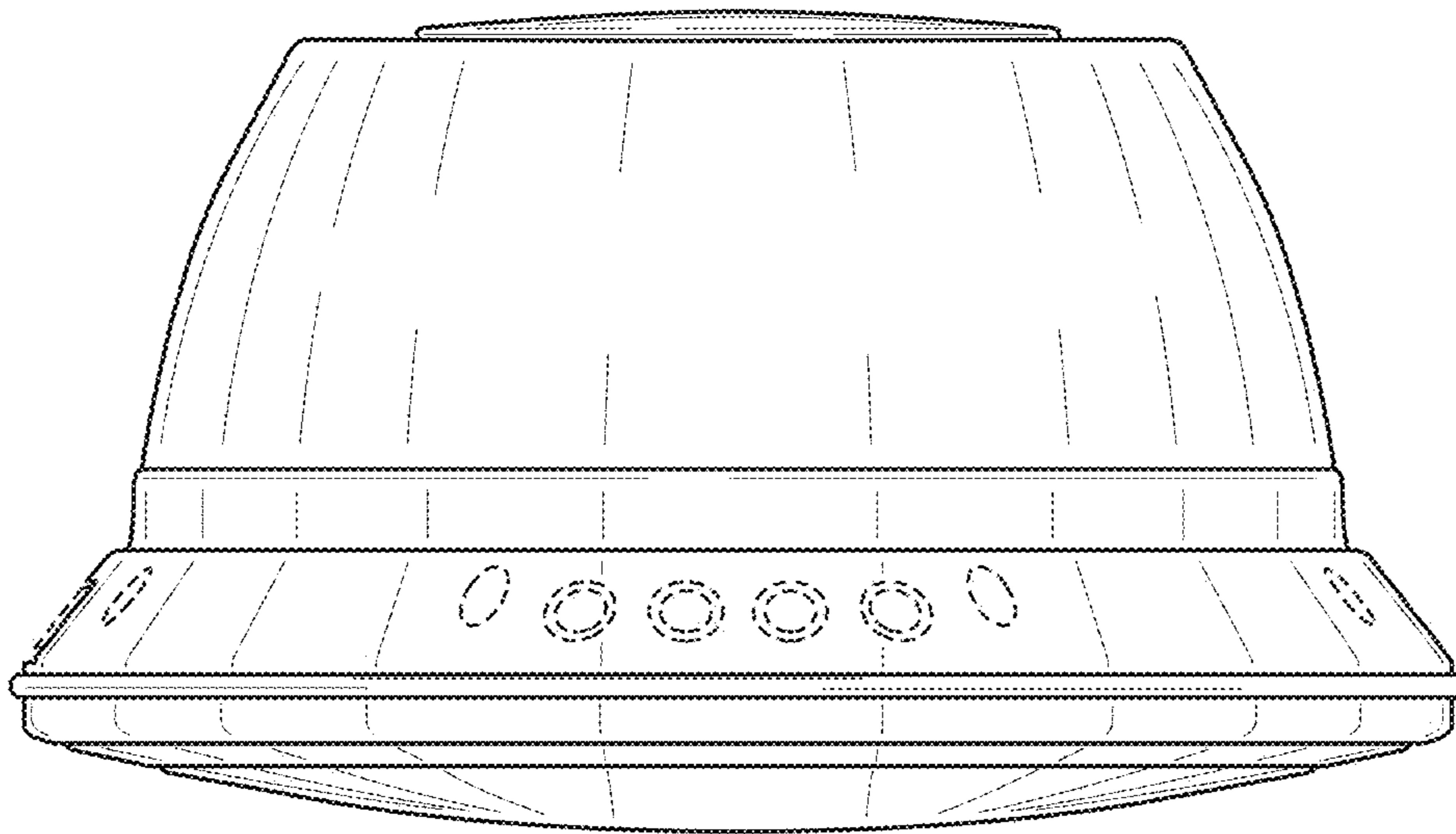


FIG. 6

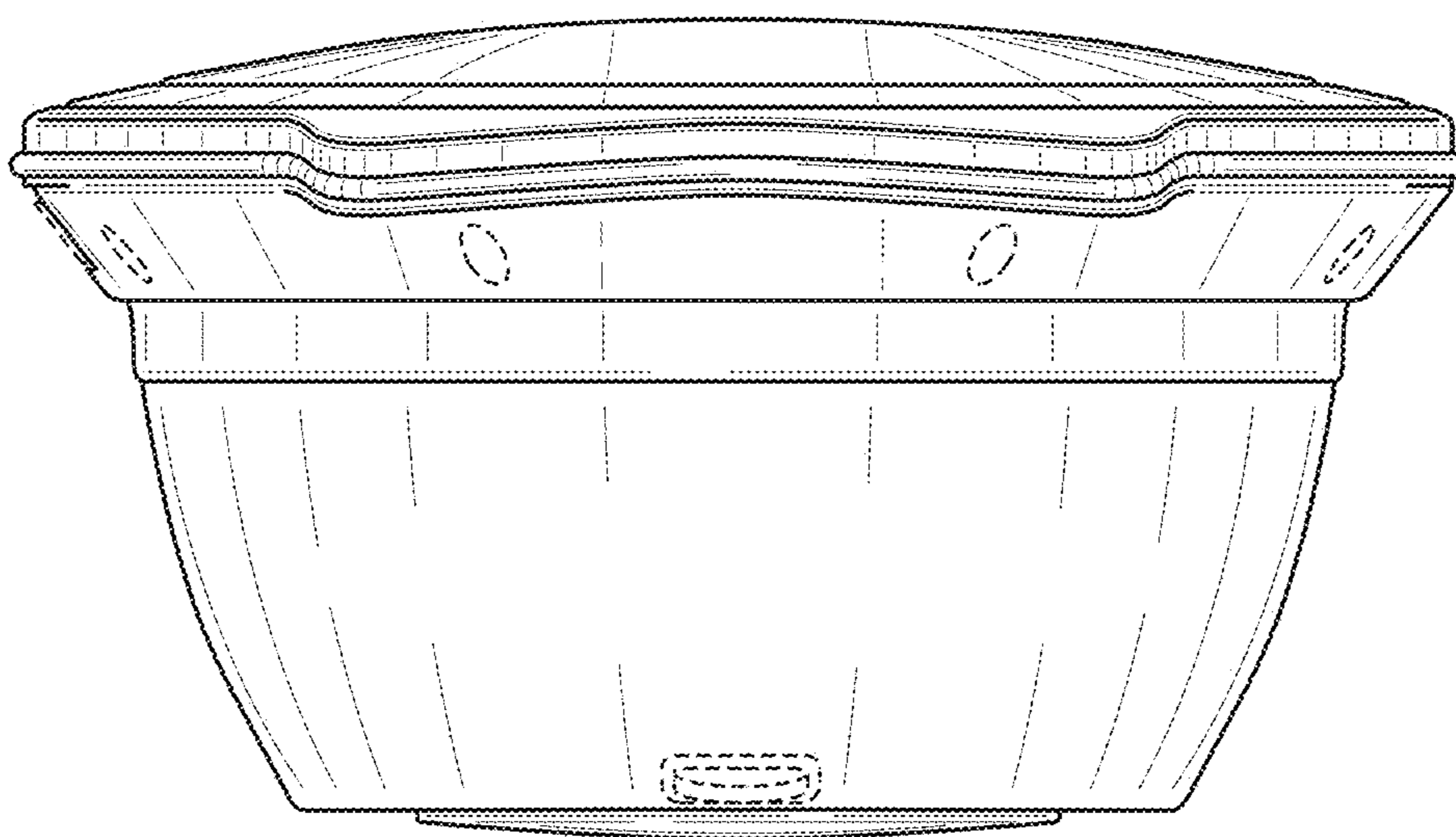


FIG. 7

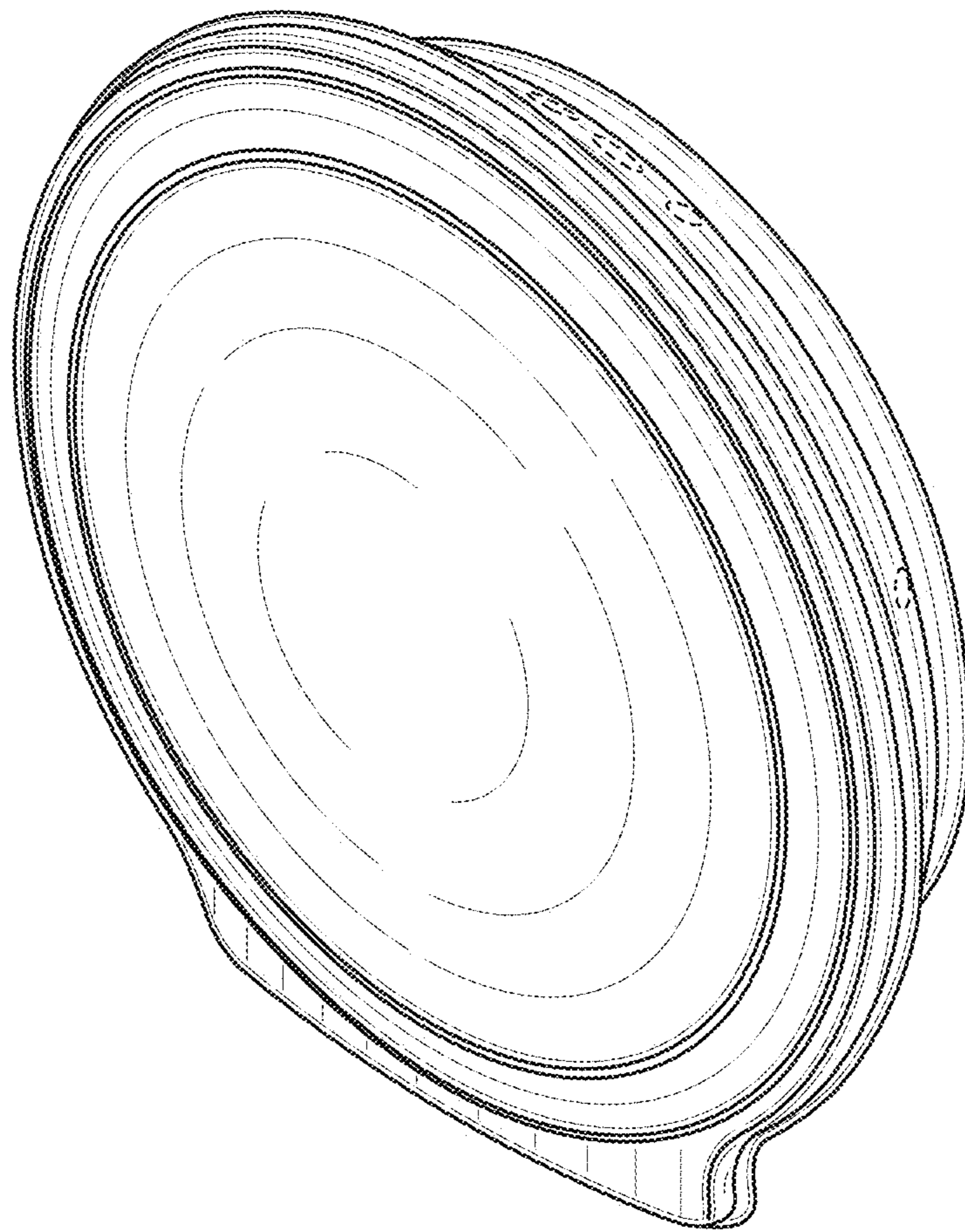


FIG. 8

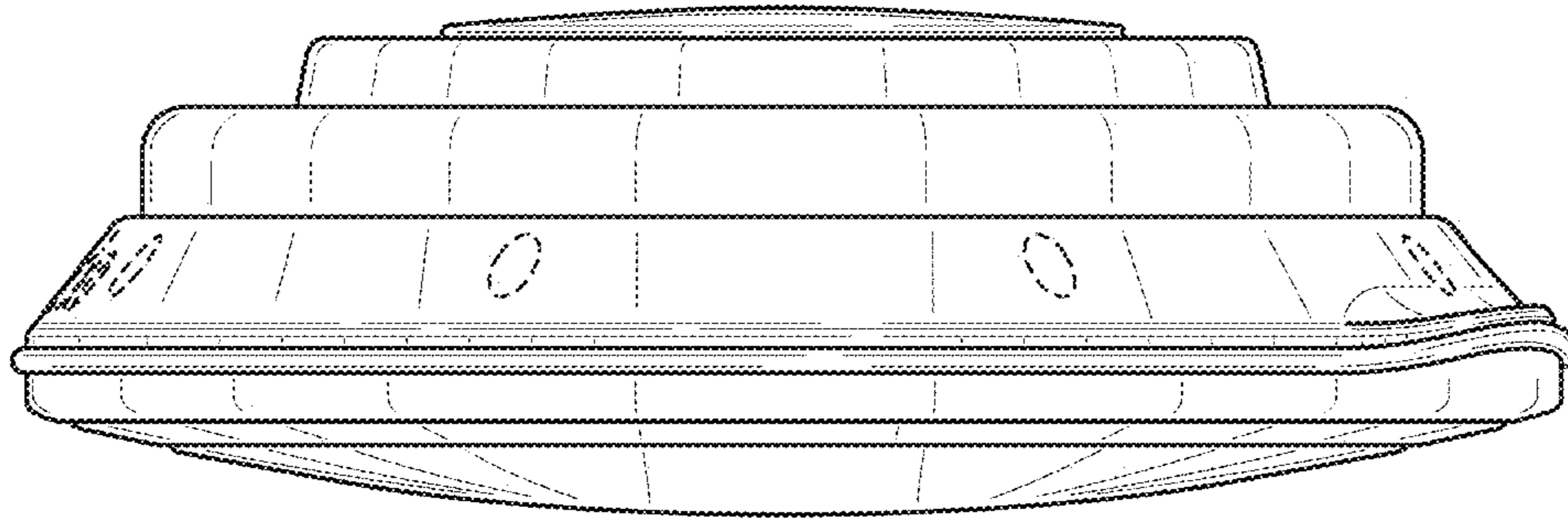


FIG. 10

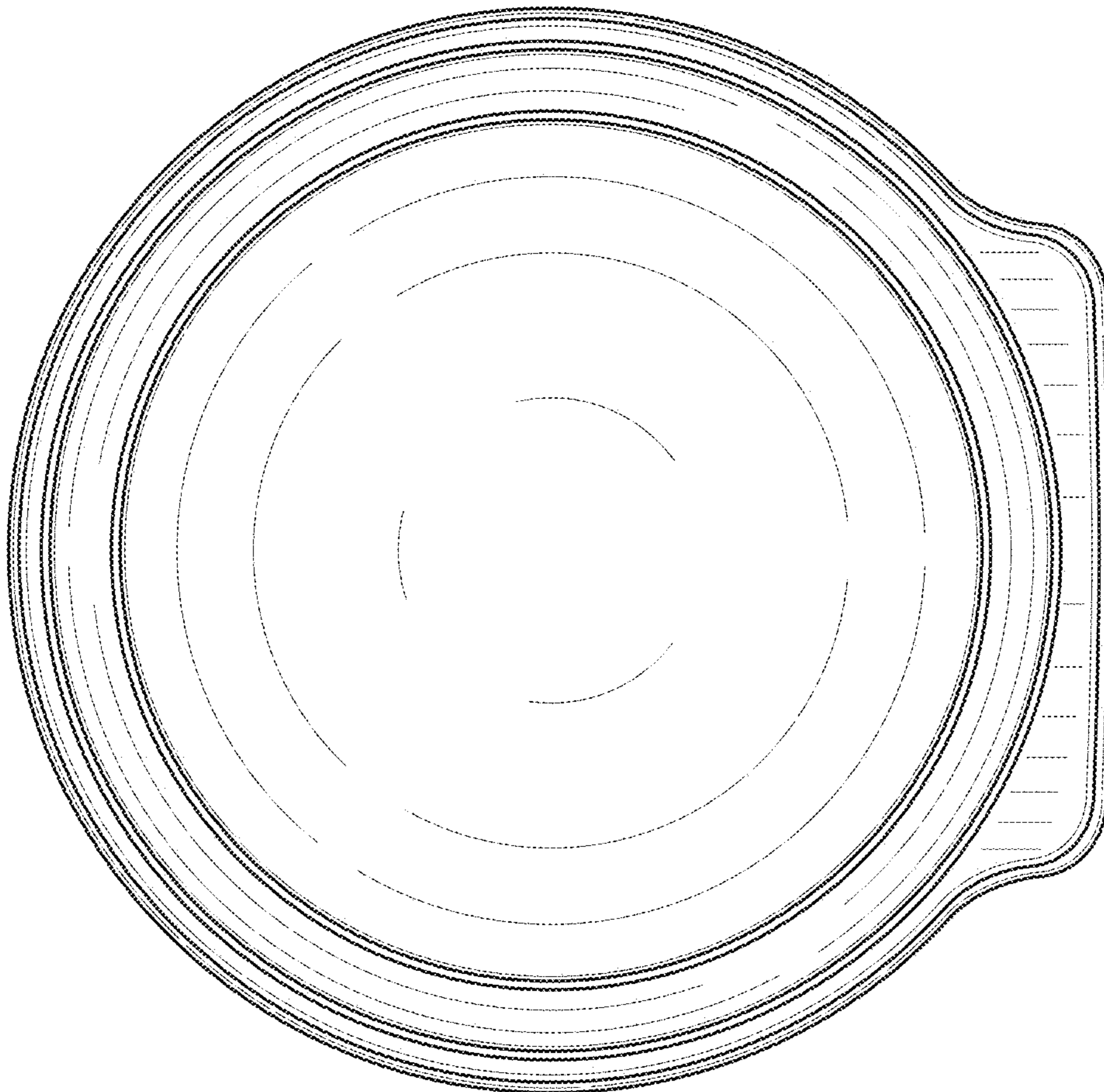


FIG. 9

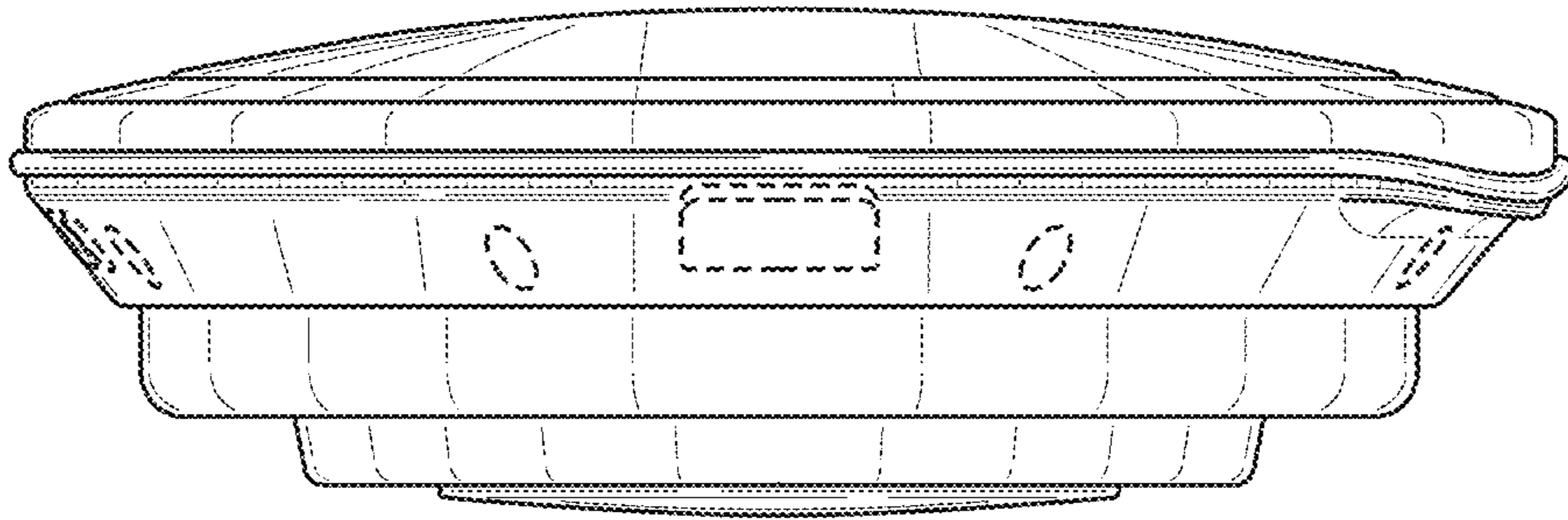


FIG. 12

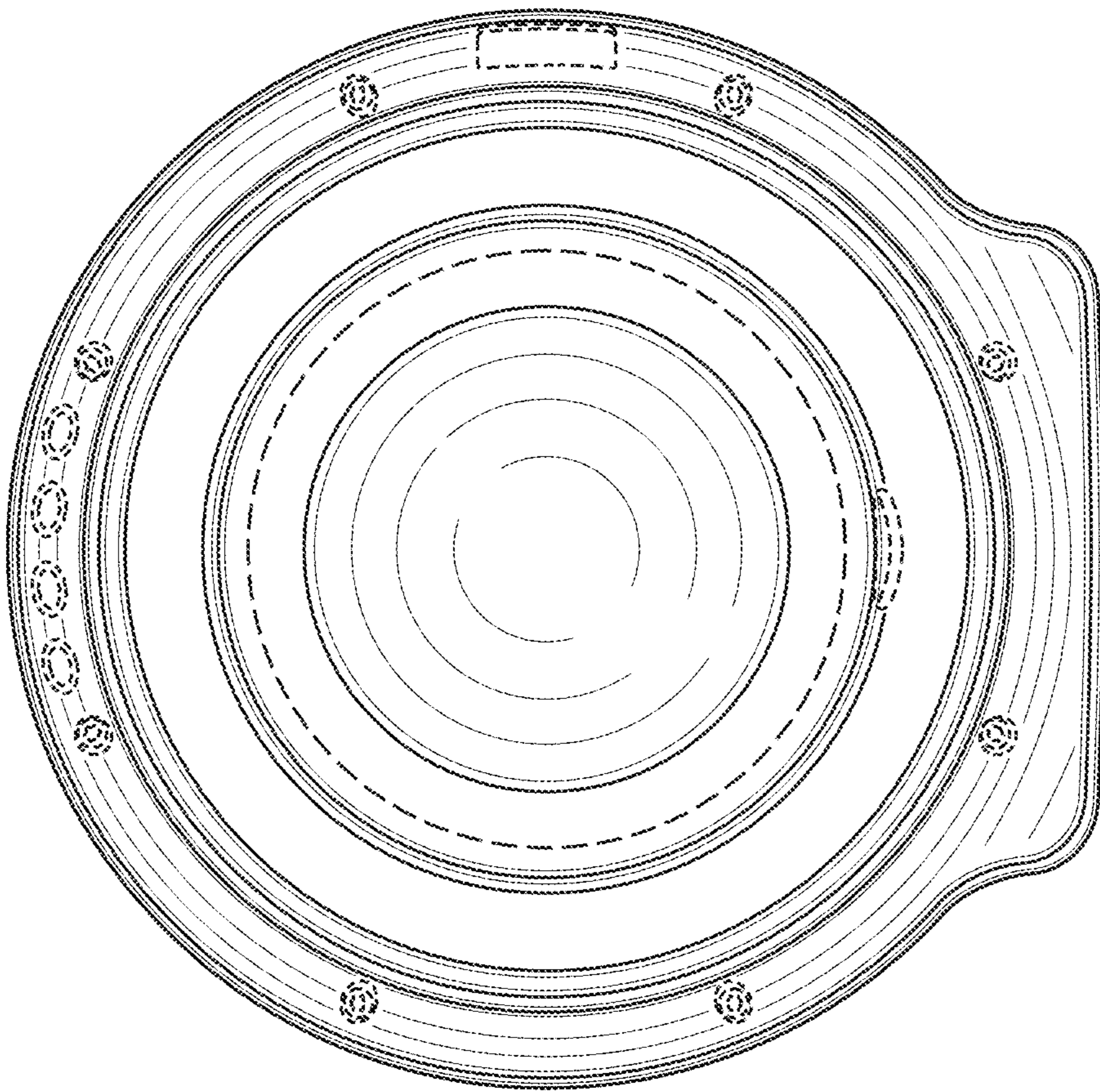


FIG. 11

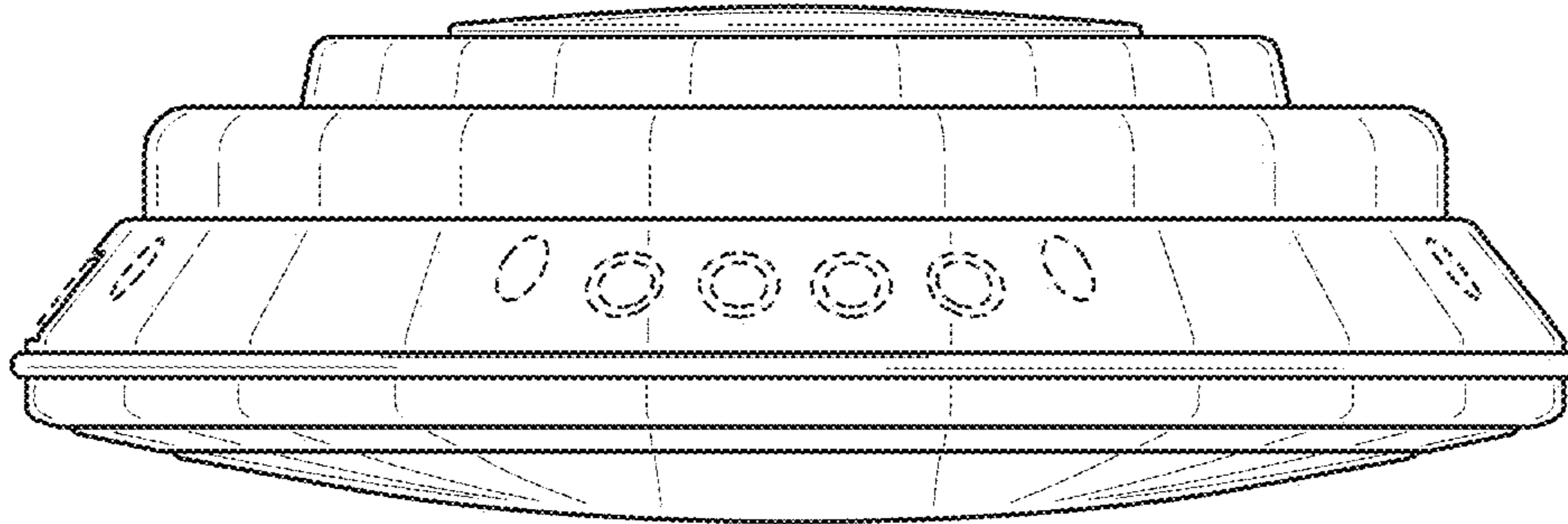


FIG. 13

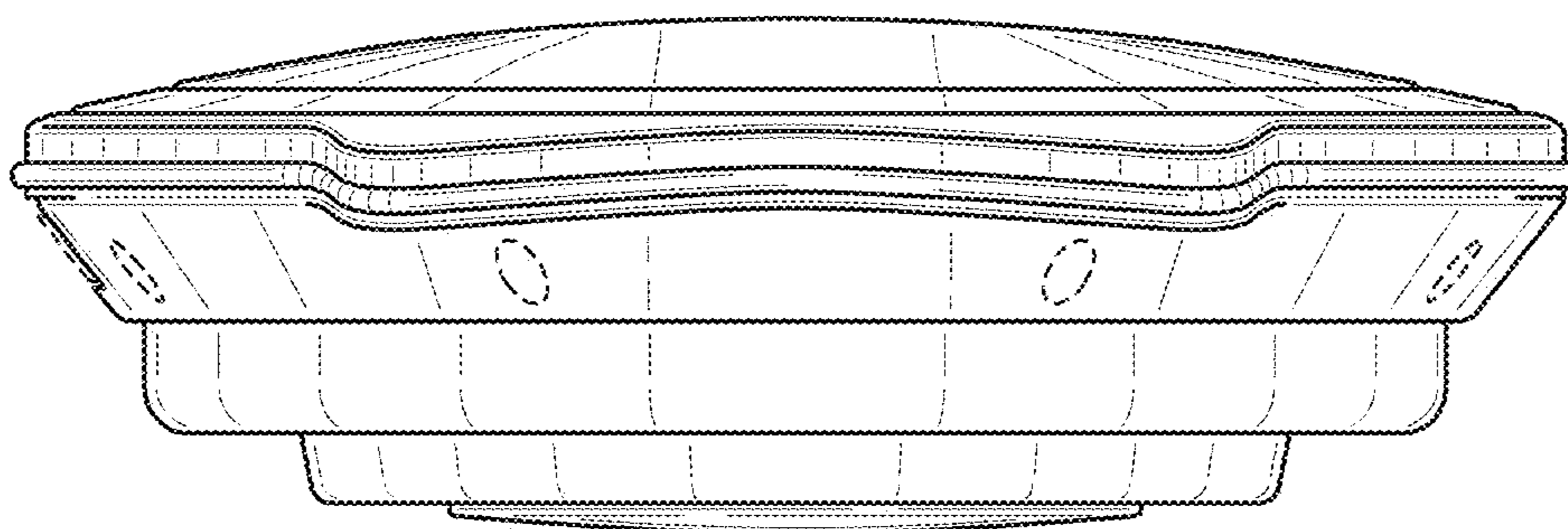


FIG. 14