



US00D928117S

(12) **United States Design Patent**  
**Levine et al.**

(10) **Patent No.:** **US D928,117 S**  
(45) **Date of Patent:** **\*\* Aug. 17, 2021**

- (54) **HEADSET**
- (71) Applicant: **New Audio LLC**, New York, NY (US)
- (72) Inventors: **Jonathan E. Levine**, New York, NY (US); **Drew Stone Briggs**, Seattle, WA (US); **Marten Andersson**, Malmo (SE); **Thomas C. Wilson**, Brooklyn, NY (US)
- (73) Assignee: **New Audio, LLC**, New York, NY (US)
- (\*\*) Term: **15 Years**

1,367,746 A	2/1921	Kent
1,483,315 A	2/1924	Saal
1,489,978 A	4/1924	Byron
1,587,409 A	6/1926	Ouillette
1,649,551 A	11/1927	Smith
2,235,372 A	3/1941	Otto
2,394,374 A	2/1946	Gilman
2,413,345 A	12/1946	Gilman
2,486,267 A	10/1949	Dulinsky
D156,329 S	12/1949	Federico et al.
2,510,344 A	6/1950	Law
2,782,423 A	2/1957	Simon et al.

(Continued)

- (21) Appl. No.: **29/743,351**
- (22) Filed: **Jul. 21, 2020**

FOREIGN PATENT DOCUMENTS

EM	003805571-0001	3/2017
WO	D089598-005	* 8/2015

**Related U.S. Application Data**

- (62) Division of application No. 29/668,788, filed on Nov. 1, 2018, now Pat. No. Des. 893,453, which is a division of application No. 29/596,857, filed on Mar. 10, 2017, now Pat. No. Des. 832,811, which is a division of application No. 29/535,635, filed on Aug. 7, 2015, now Pat. No. Des. 781,265.

OTHER PUBLICATIONS

U.S. Appl. No. 15/853,395, filed Dec. 22, 2017, Levine, Jonathan E. et al.

(Continued)

*Primary Examiner* — Paula Allen Greene  
(74) *Attorney, Agent, or Firm* — Holzer Patel Drennan

- (51) **LOC (13) Cl.** ..... **14-01**
- (52) **U.S. Cl.**  
USPC ..... **D14/206**; D14/226
- (58) **Field of Classification Search**  
USPC ..... D14/206, 205, 226, 216, 219; D29/112;  
2/209; 381/378, 370, 374, 379;  
455/90.3, 575.1, 569.1  
CPC .... H04R 25/00; H04R 1/1066; H04R 1/1016;  
H04R 5/033; H04R 5/0335; H04R  
1/1091; H04R 1/1075; H04R 1/1008  
See application file for complete search history.

(57) **CLAIM**

The ornamental design for a headset, as shown and described.

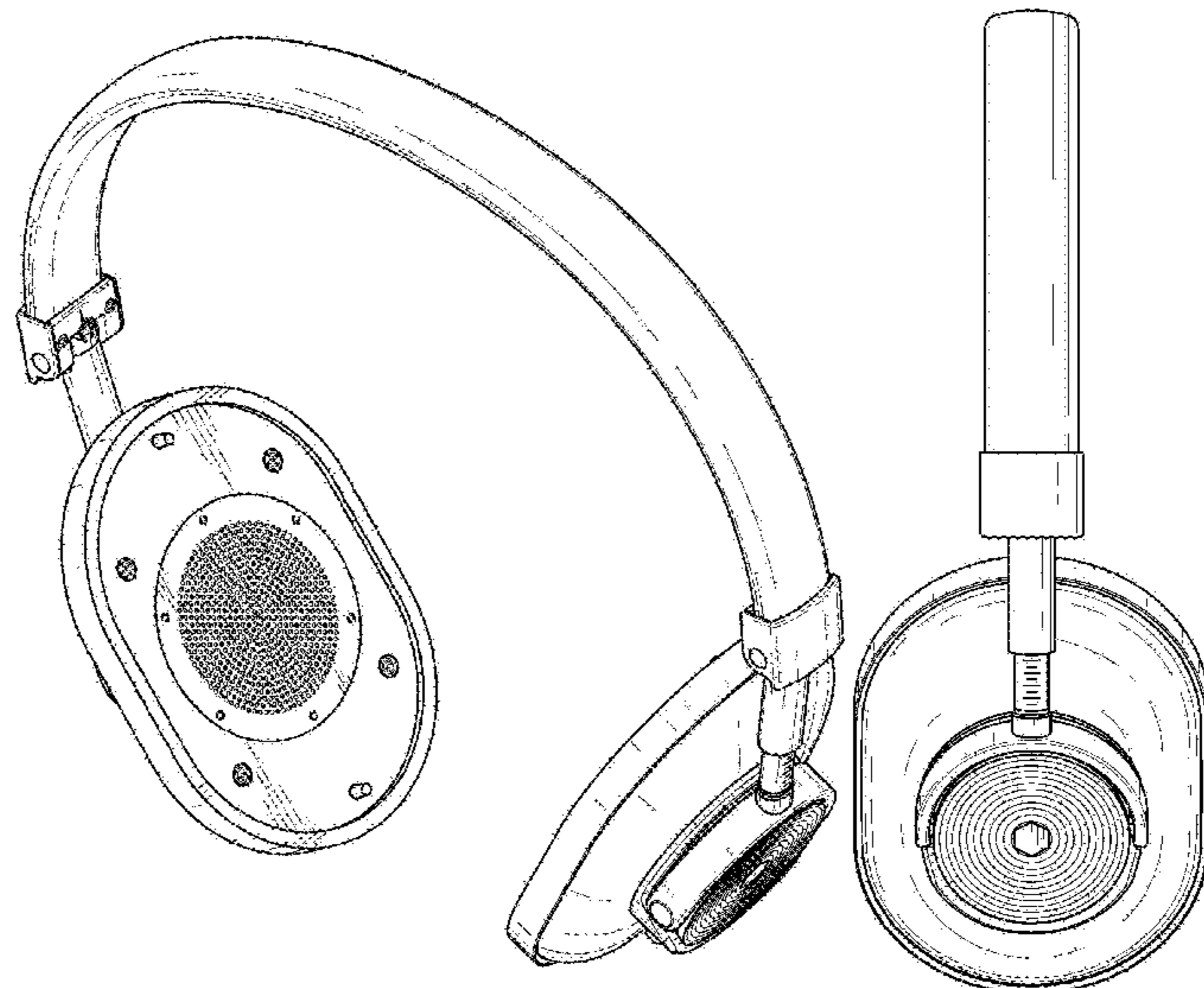
**DESCRIPTION**

FIG. 1 is a perspective view of a headset showing our new design;  
FIG. 2 is a front elevational view thereof.  
FIG. 3 is a back elevational view thereof.  
FIG. 4 is a first side elevational view thereof.  
FIG. 5 is a second side profile view thereof.  
FIG. 6 is a top plan view thereof; and,  
FIG. 7 is a bottom plan view thereof.

- (56) **References Cited**  
U.S. PATENT DOCUMENTS

1,127,161 A	2/1915	Baldwin
1,289,826 A	12/1918	Lawton

**1 Claim, 5 Drawing Sheets**



(56)

References Cited

U.S. PATENT DOCUMENTS

3,440,663 A 4/1969 Beguin  
 3,488,457 A 1/1970 Lahti  
 3,797,045 A 3/1974 Aho  
 3,922,725 A 12/1975 Csiki  
 4,175,217 A 11/1979 Williams  
 4,472,607 A 9/1984 Houg  
 4,829,571 A 5/1989 Kakiuchi et al.  
 5,035,005 A 7/1991 Hung  
 5,233,650 A 8/1993 Chan  
 5,293,647 A 3/1994 Mirmilshiteyn  
 5,438,626 A 8/1995 Neuman  
 5,457,751 A 10/1995 Such  
 5,729,615 A 3/1998 Yang  
 5,862,241 A 1/1999 Nelson  
 D410,466 S 6/1999 Mouri  
 D424,150 S 5/2000 Post  
 D431,550 S 10/2000 Yoneda  
 D432,522 S 10/2000 Kieltyka et al.  
 6,427,018 B1 7/2002 Keliiliki  
 D484,485 S 12/2003 Matsuoka  
 6,654,966 B2 12/2003 Rolla  
 D508,483 S 8/2005 Suzuki  
 D512,708 S 12/2005 Harris, Jr.  
 D514,087 S 1/2006 Wilson  
 D517,527 S 3/2006 Suzuki  
 D538,261 S 3/2007 Taylor  
 D560,654 S 1/2008 Feng  
 D567,215 S 4/2008 Lee  
 D573,581 S 7/2008 Gondo  
 D576,604 S 9/2008 Suzuki  
 D600,674 S 9/2009 Brennwald  
 7,639,478 B2\* 12/2009 Wu ..... H05K 5/0008  
 312/223.2  
 D633,367 S 3/2011 Scherr  
 D633,895 S 3/2011 Morimoto  
 D646,666 S\* 10/2011 Maeyama ..... D14/216  
 D665,775 S 8/2012 Katsumata  
 8,325,962 B2 12/2012 Ishida  
 D677,243 S 3/2013 Kitayama  
 D705,750 S 5/2014 Wu  
 8,737,668 B1 5/2014 Blair  
 8,755,555 B2\* 6/2014 Dougherty ..... H04R 1/1066  
 381/378  
 D716,762 S 11/2014 Greve  
 D722,998 S 2/2015 Sancho et al.  
 D727,280 S 4/2015 Levine  
 D727,281 S 4/2015 Levine  
 D728,512 S\* 5/2015 Nakagawa ..... D14/205  
 D733,090 S 6/2015 Petersen  
 D733,092 S 6/2015 Gan  
 D736,174 S 8/2015 Levine  
 D736,175 S 8/2015 Levine  
 D736,185 S 8/2015 Yaegashi  
 D741,842 S 10/2015 Levine  
 D759,626 S\* 6/2016 Wagner ..... D14/205  
 D762,190 S 7/2016 Levine  
 D762,191 S 7/2016 Levine  
 D772,841 S 11/2016 Levine  
 D780,155 S 2/2017 Levine et al.  
 D781,265 S 3/2017 Levine  
 D781,814 S 3/2017 Levine  
 9,729,954 B2 8/2017 Levine et al.  
 D805,056 S 12/2017 Levine  
 D810,055 S 2/2018 Levine  
 D811,365 S 2/2018 Czaniecki  
 D812,588 S 3/2018 Levine  
 D815,614 S 4/2018 Tzeng  
 D820,810 S 6/2018 Levine

D826,208 S 8/2018 Czaniecki  
 D832,811 S 11/2018 Levine et al.  
 D832,813 S 11/2018 Levine et al.  
 D836,600 S 12/2018 Lee  
 D845,928 S 4/2019 Lee  
 D852,166 S 6/2019 Levine  
 D857,654 S 8/2019 Levine  
 D868,029 S\* 11/2019 Hanggi ..... D14/205  
 D879,067 S\* 3/2020 Hu ..... D14/205  
 10,674,245 B2\* 6/2020 Chih-Hsueh ..... H04R 1/1008  
 D893,453 S\* 8/2020 Levine ..... D14/205  
 2008/0056525 A1 3/2008 Fujiwara et al.  
 2010/0177907 A1 7/2010 Morisawa  
 2012/0070028 A1 3/2012 Margulies  
 2017/0041697 A1 2/2017 Levine  
 2017/0134845 A1 5/2017 Milam et al.  
 2017/0339479 A1 11/2017 Levine  
 2018/0020277 A1 1/2018 Briggs  
 2018/0020278 A1 1/2018 Levine et al.

OTHER PUBLICATIONS

U.S. Appl. No. 29/594,131, filed Feb. 15, 2017, Levine, Jonathan E. et al.  
 U.S. Appl. No. 29/599,322, filed Mar. 31, 2017, Levine, Jonathan E. et al.  
 U.S. Appl. No. 29/599,994, filed Apr. 7, 2017, Levine, Jonathan E. et al.  
 U.S. Appl. No. 29/628,837, filed Dec. 7, 2017, Levine, Jonathan E. et al.  
 U.S. Appl. No. 29/632,542, filed Jan. 8, 2018, Drew Stone Briggs et al.  
 U.S. Appl. No. 29/636,718, filed Feb. 9, 2018, Levine, Jonathan E.  
 U.S. Appl. No. 29/596,857, filed Mar. 10, 2017, Levine, Jonathan E. et al.  
 U.S. Appl. No. 29/636,714, filed Feb. 9, 2018, Levine Jonathan E.  
 U.S. Appl. No. 14/821,619, filed Aug. 7, 2015, Levine, Jonathan E., et al.  
 U.S. Appl. No. 14/821,643, filed Aug. 7, 2015, Levine, Jonathan E., et al.  
 U.S. Appl. No. 29/520,926, filed Mar. 18, 2015, Levine, Jonathan E., et al.  
 U.S. Appl. No. 29/520,928, filed Mar. 18, 2015, Levine, Jonathan E., et al.  
 U.S. Appl. No. 29/532,363, filed Jul. 6, 2015, Levine, Jonathan E., et al.  
 U.S. Appl. No. 29/532,834, filed Jul. 10, 2015, Levine, Jonathan E., et al.  
 U.S. Appl. No. 29/532,871, filed Jul. 10, 2015, Levine, Jonathan E., et al.  
 U.S. Appl. No. 29/542,067, filed Oct. 9, 2015, Levine, Jonathan E., et al.  
 Non-Final Office Action for Design U.S. Appl. No. 29/481,794, dated Dec. 9, 2014, U.S. Patent and Trademark Office, 8 pages.  
 Non-Final Office Action for Design U.S. Appl. No. 29/481,796, dated Nov. 25, 2014, U.S. Patent and Trademark Office, 8 pages.  
 Notice of Allowance for Design U.S. Appl. No. 29/481,787, dated Dec. 10, 2014, U.S. Patent and Trademark Office, 11 pages.  
 Notice of Allowance for Design U.S. Appl. No. 29/481,791, dated Dec. 3, 2014, U.S. Patent and Trademark Office, 8 pages.  
 Notice of Allowance for Design U.S. Appl. No. 29/481,794, dated Apr. 17, 2015, U.S. Patent and Trademark Office, 6 pages.  
 Notice of Allowance for Design U.S. Appl. No. 29/481,796, dated Apr. 10, 2015, U.S. Patent and Trademark Office, 5 pages.  
 Notice of Allowance for Design U.S. Appl. No. 29/495,943, dated Jun. 24, 2015, U.S. Patent and Trademark Office, 18 pages.

\* cited by examiner





*Fig. 1*

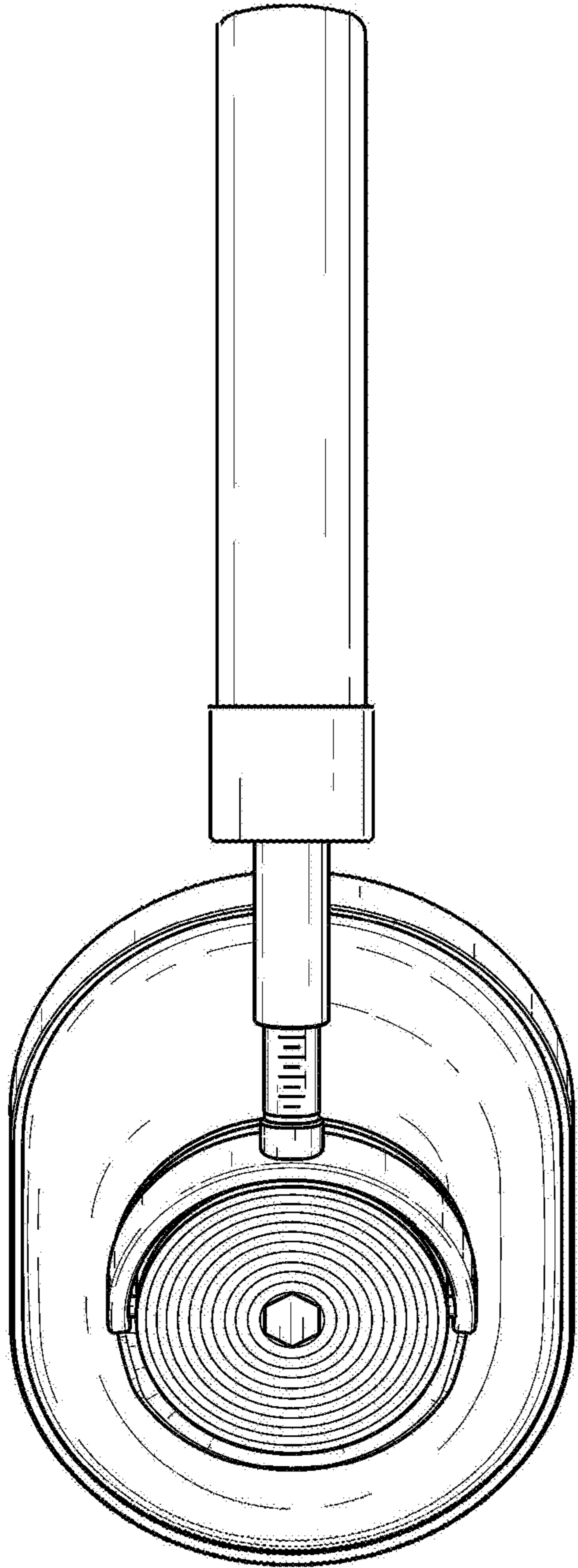


*Fig. 2*

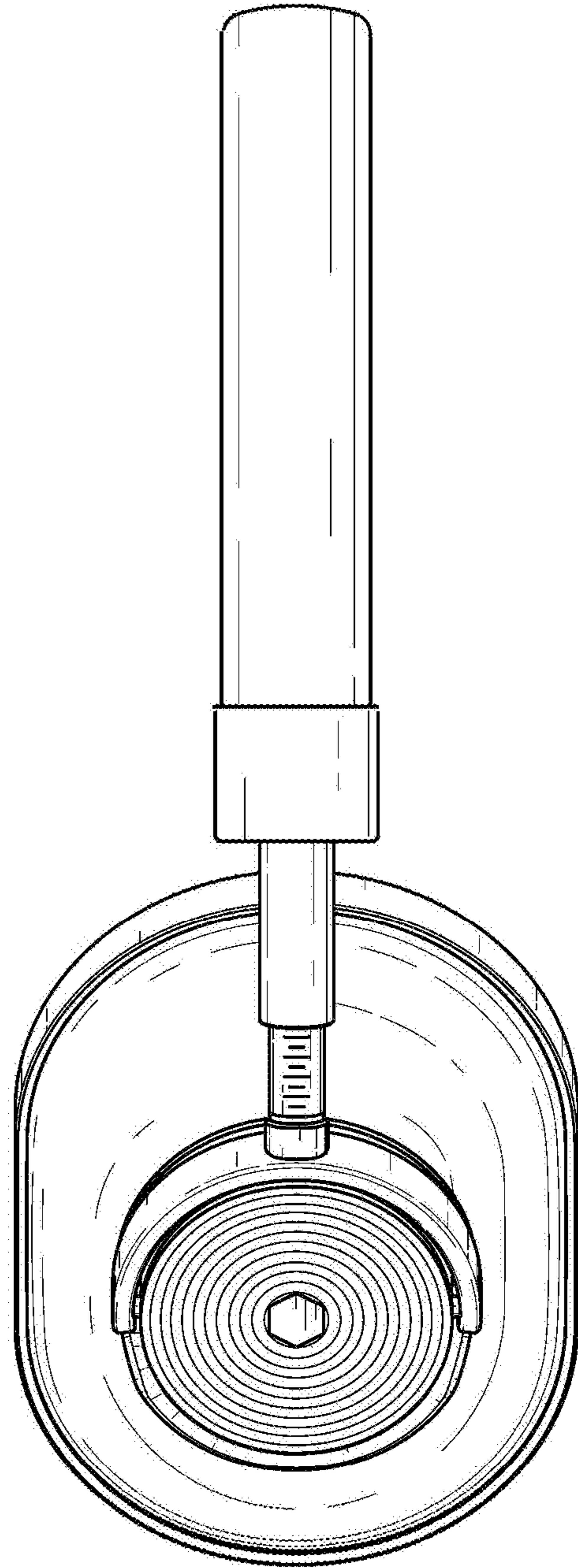


*Fig. 3*

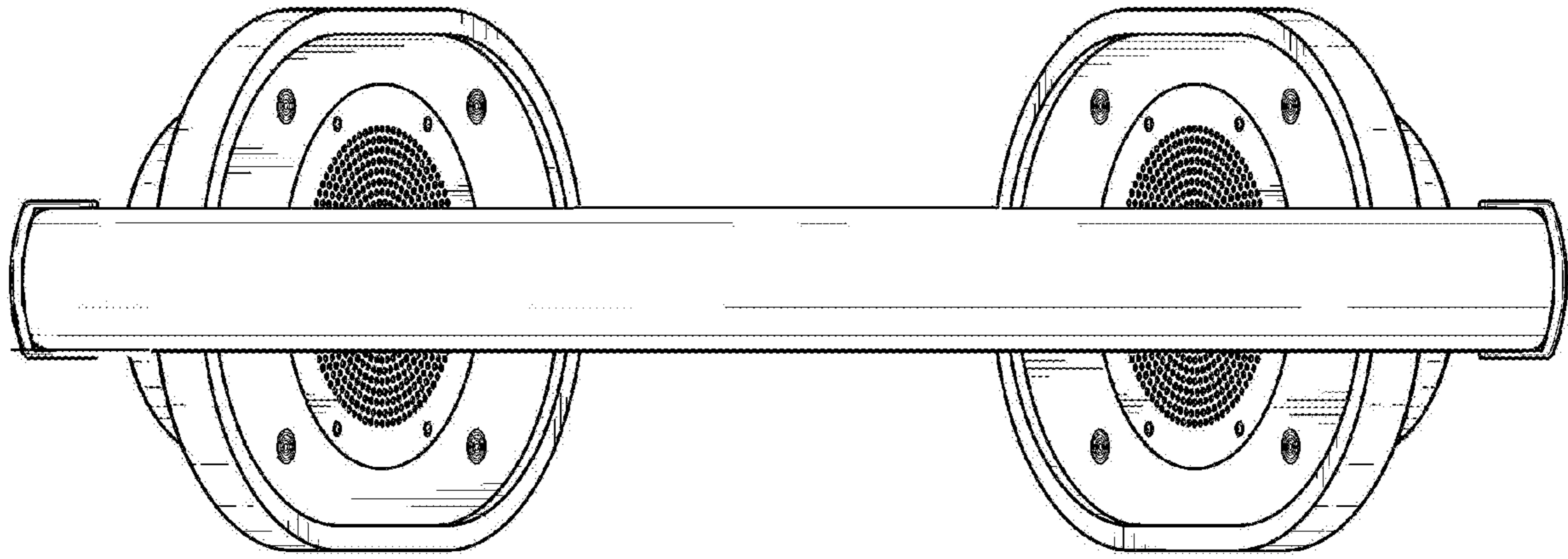




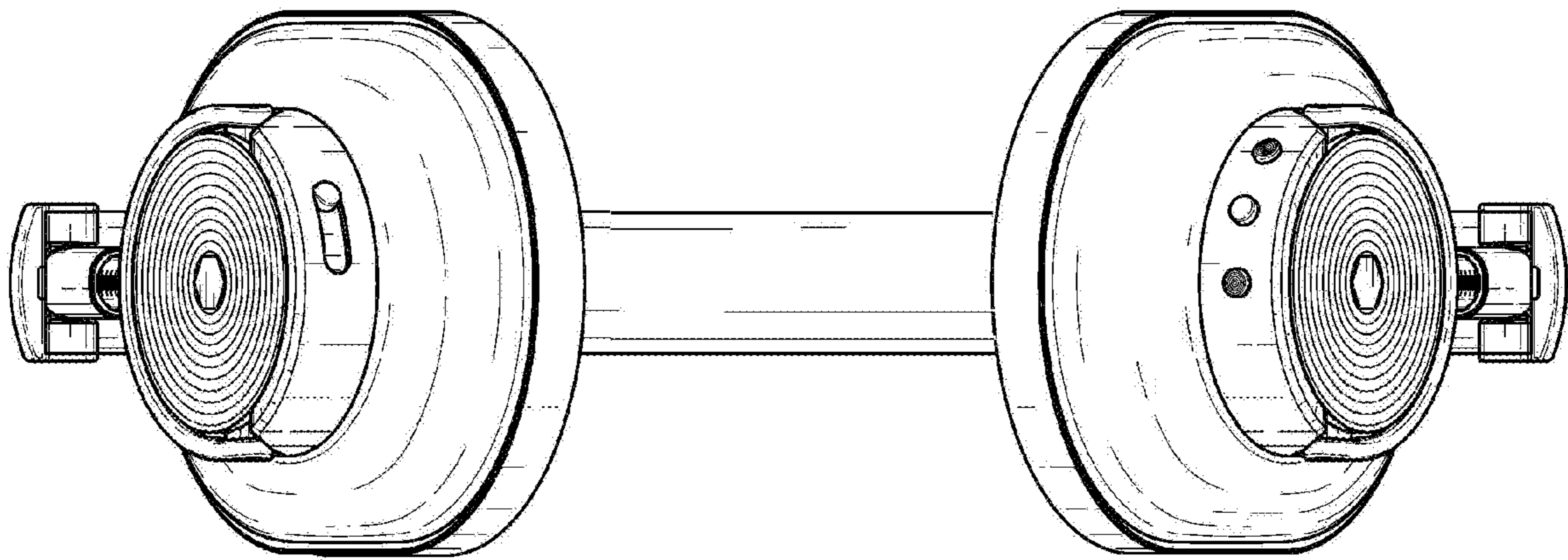
*Fig. 4*



*Fig. 5*



*Fig. 6*



*Fig. 7*