



US00D928116S

(12) **United States Design Patent**
Su

(10) **Patent No.:** **US D928,116 S**
(45) **Date of Patent:** **** Aug. 17, 2021**

(54) **AUDIO HEADSET**
(71) Applicant: **YEALINK (XIAMEN) NETWORK TECHNOLOGY CO., LTD.**, Fujian (CN)
(72) Inventor: **Jingfeng Su**, Fujian (CN)
(73) Assignee: **YEALINK (XIAMEN) NETWORK TECHNOLOGY CO., LTD.**, Xiamen (CN)
(**) Term: **15 Years**

5,793,878 A * 8/1998 Chang H04R 5/0335
381/370
6,154,530 A * 11/2000 Letellier H04M 1/2746
379/142.06
D447,472 S * 9/2001 McGugan D14/225
D448,749 S * 10/2001 Weikel D14/206
D473,539 S * 4/2003 O'Leary D14/205
D482,019 S * 11/2003 Petersen D14/206
D488,146 S * 4/2004 Minto D14/206
D494,957 S * 8/2004 Rath D14/206
D498,470 S * 11/2004 Skulley D14/206
D505,413 S * 5/2005 Skulley D14/223
D514,086 S * 1/2006 Skulley D14/206
D517,528 S * 3/2006 Skulley D14/206

(Continued)

(21) Appl. No.: **29/732,814**
(22) Filed: **Apr. 28, 2020**
(30) **Foreign Application Priority Data**
Mar. 27, 2020 (CN) 202030111733.9
(51) **LOC (13) Cl.** **14-01**
(52) **U.S. Cl.**
USPC **D14/206**
(58) **Field of Classification Search**
USPC D14/206, 205, 226, 188, 192; D13/108,
D13/168; D29/112; 2/209; 381/380,
381/381, 374; 455/90.3, 575.1, 569.1
CPC .. H04R 25/00; H04R 1/10166; H04R 1/1016;
H04R 5/033; H04R 5/0335; H04R 19/04;
H04R 1/1008
See application file for complete search history.

FOREIGN PATENT DOCUMENTS

CN 306422137 * 3/2021
EM 007792767-0009 * 4/2020

(Continued)

Primary Examiner — Paula Allen Greene

(57) **CLAIM**

The ornamental design for an audio headset, as shown and described.

DESCRIPTION

FIG. 1 is a front elevational view of an audio headset showing my new design;
FIG. 2 is a rear elevational view thereof;
FIG. 3 is a left side view thereof;
FIG. 4 is a right side view thereof;
FIG. 5 is a top plan view thereof;
FIG. 6 is a bottom plan view thereof;
FIG. 7 is a bottom, front and left side perspective view thereof; and,
FIG. 8 is a top, rear and right side perspective view thereof.
The broken lines in the drawings illustrate portions of the audio headset which form no part of the claimed design.

1 Claim, 6 Drawing Sheets



(56)

References Cited

U.S. PATENT DOCUMENTS

D518,479 S * 4/2006 Skulley D14/225
 7,072,483 B2 * 7/2006 Lenhard-Backhaus
 H04R 1/1066
 381/370
 D535,285 S * 1/2007 Skulley D14/205
 D601,543 S * 10/2009 Bentley D14/206
 D602,001 S * 10/2009 Bentley D14/206
 D603,370 S * 11/2009 Suzuki D14/205
 D604,266 S * 11/2009 Milde D14/205
 D606,048 S * 12/2009 Soetejo D14/223
 D612,835 S * 3/2010 Yang D14/206
 D612,840 S * 3/2010 Yang D14/223
 D617,769 S * 6/2010 Birger D14/205
 D625,705 S * 10/2010 Ohori D14/205
 D628,189 S * 11/2010 Rath D14/206
 D632,668 S * 2/2011 Brunner D14/205
 D635,962 S * 4/2011 Kelley D14/223
 D638,000 S * 5/2011 Hoggarth D14/206
 D639,776 S * 6/2011 Arimoto D14/205
 D641,337 S * 7/2011 Brandis D14/206
 D643,405 S * 8/2011 Rath D14/206
 D644,625 S * 9/2011 Iseki D14/206
 D653,649 S * 2/2012 Yang D14/206
 D654,471 S * 2/2012 Fischer D14/206
 D654,472 S * 2/2012 Fischer D14/206
 D657,776 S * 4/2012 Lee D14/205
 D660,824 S * 5/2012 Hardi D14/205
 8,189,847 B2 * 5/2012 Huang H04R 1/1075
 381/380
 D666,168 S * 8/2012 Rath D14/206
 D671,914 S * 12/2012 Lee D14/205
 D673,136 S * 12/2012 Kelly D14/205
 D673,524 S * 1/2013 Brennwald D14/206
 D675,595 S * 2/2013 Cho D14/205
 D684,559 S * 6/2013 Groset D14/205
 D689,843 S * 9/2013 Lee D14/205
 D691,110 S * 10/2013 Ham D14/205
 D691,984 S * 10/2013 Wang D14/205
 D692,410 S * 10/2013 Brunner H04R 1/1008
 D14/206
 D707,655 S * 6/2014 Porter H04M 1/05
 D14/206

8,755,555 B2 * 6/2014 Dougherty H04R 1/1066
 381/378
 D709,860 S * 7/2014 Brunner H04S 1/005
 D14/205
 D716,258 S * 10/2014 Awiszus D14/206
 D716,259 S * 10/2014 Awiszus D14/206
 D725,074 S * 3/2015 Boeckel D14/205
 D725,630 S * 3/2015 Nakagawa D14/205
 D728,512 S * 5/2015 Nakagawa D14/205
 9,036,849 B2 * 5/2015 Thompson H04R 1/083
 381/375
 D732,002 S * 6/2015 Goransson D14/206
 D760,690 S * 7/2016 Gecawicz D14/206
 9,426,554 B2 * 8/2016 Dai H04M 1/6058
 D769,219 S * 10/2016 Ohmachi D14/205
 D775,104 S * 12/2016 Lee D14/205
 D806,676 S * 1/2018 Fuglsang D14/206
 D822,638 S * 7/2018 Liu D14/206
 D851,628 S * 6/2019 Wernblad D14/206
 D852,776 S * 7/2019 Zhu D14/205
 D875,073 S * 2/2020 Pedersen D14/206
 D881,843 S * 4/2020 Hu D14/206
 D885,364 S * 5/2020 Paterson D14/206
 D886,078 S * 6/2020 He D14/206
 D891,399 S * 7/2020 Chen D14/206
 D893,454 S * 8/2020 Li D14/206
 D895,570 S * 9/2020 Choi D14/205
 D896,203 S * 9/2020 Tong D14/206
 D898,701 S * 10/2020 Zhong D14/206
 D899,402 S * 10/2020 Shen D14/206
 D914,637 S * 3/2021 Shen D14/206
 2003/0182713 A1 * 10/2003 Rolla A61F 11/14
 2/209
 2006/0104471 A1 * 5/2006 Tsunoda H04R 1/2803
 381/374
 2010/0040252 A1 * 2/2010 Thompson H04R 1/083
 381/375
 2020/0288234 A1 * 9/2020 Fletcher H04R 1/083

FOREIGN PATENT DOCUMENTS

EM 007792767-0010 * 4/2020
 EM 007792767-0011 * 4/2020
 EM 007792767-0012 * 4/2020

* cited by examiner

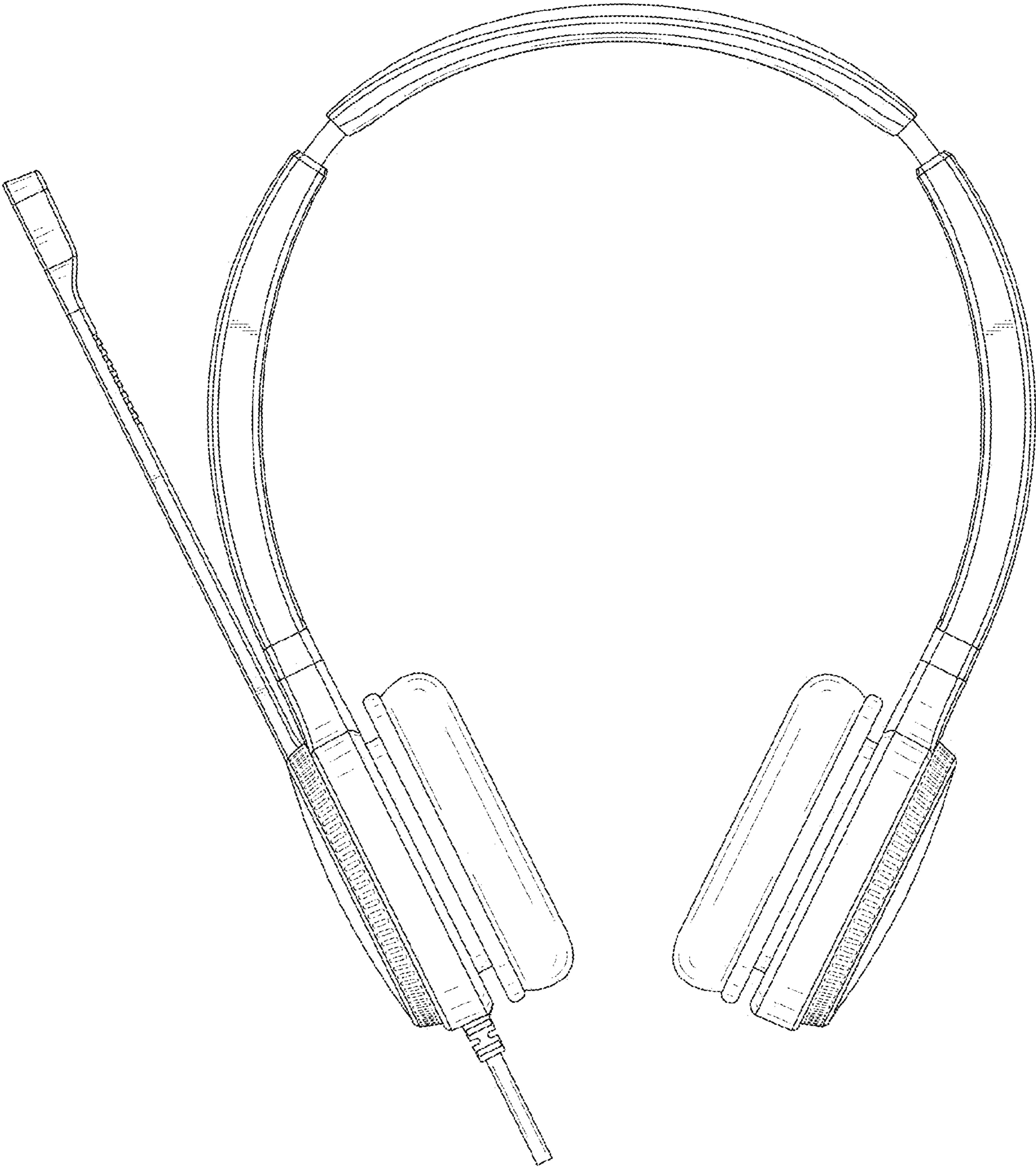


FIG.1

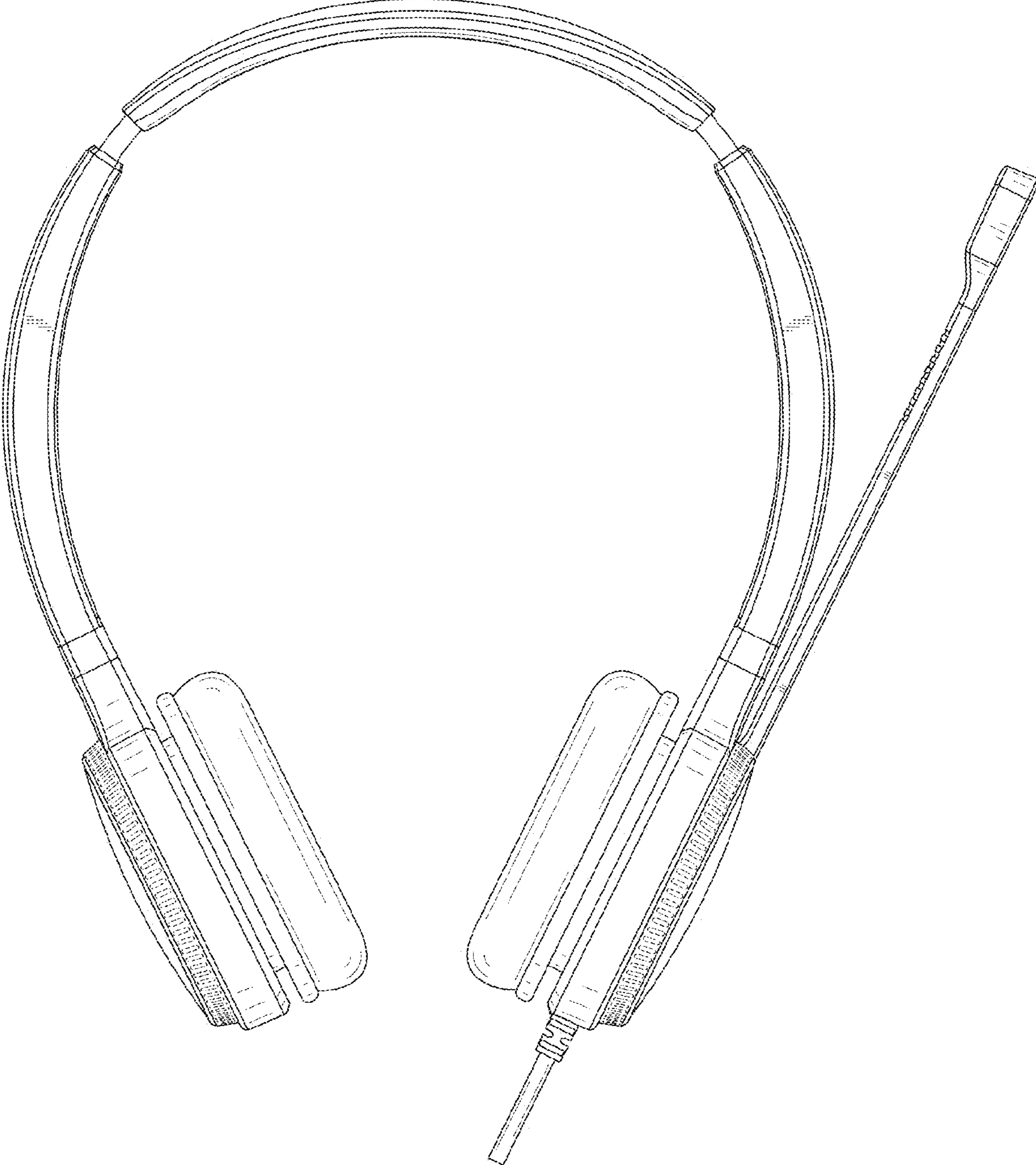


FIG.2

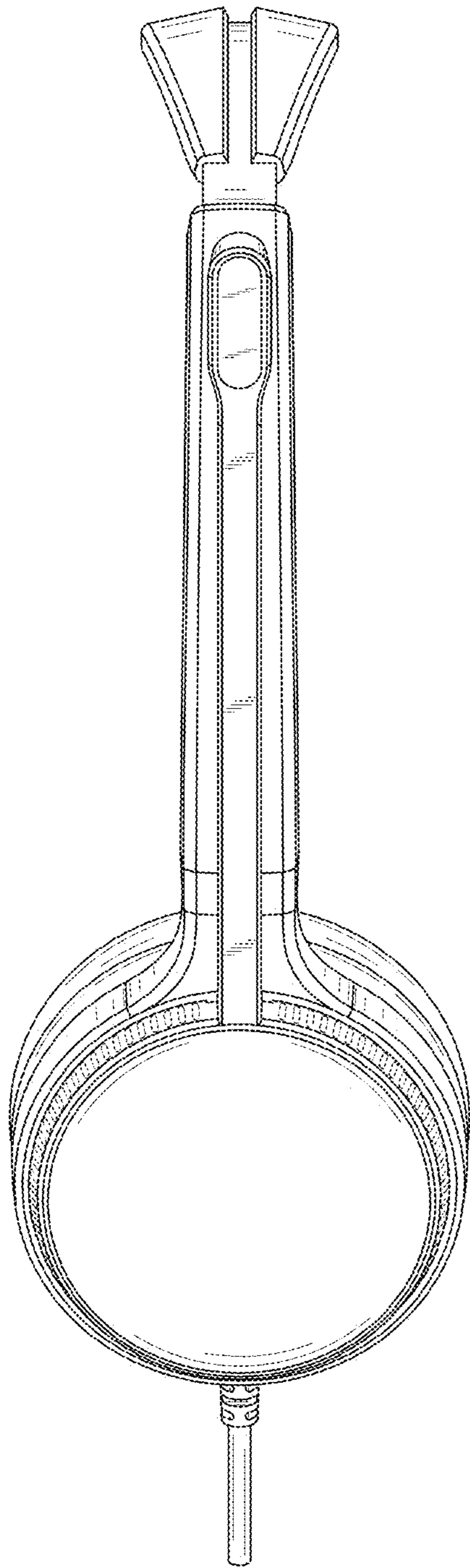


FIG.3

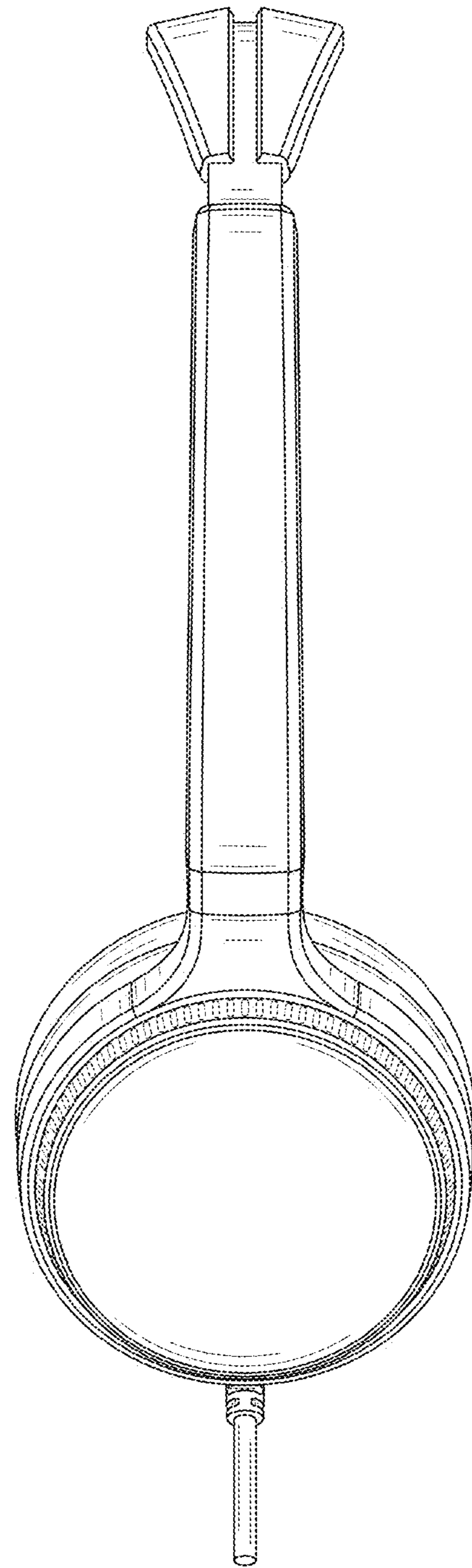


FIG.4

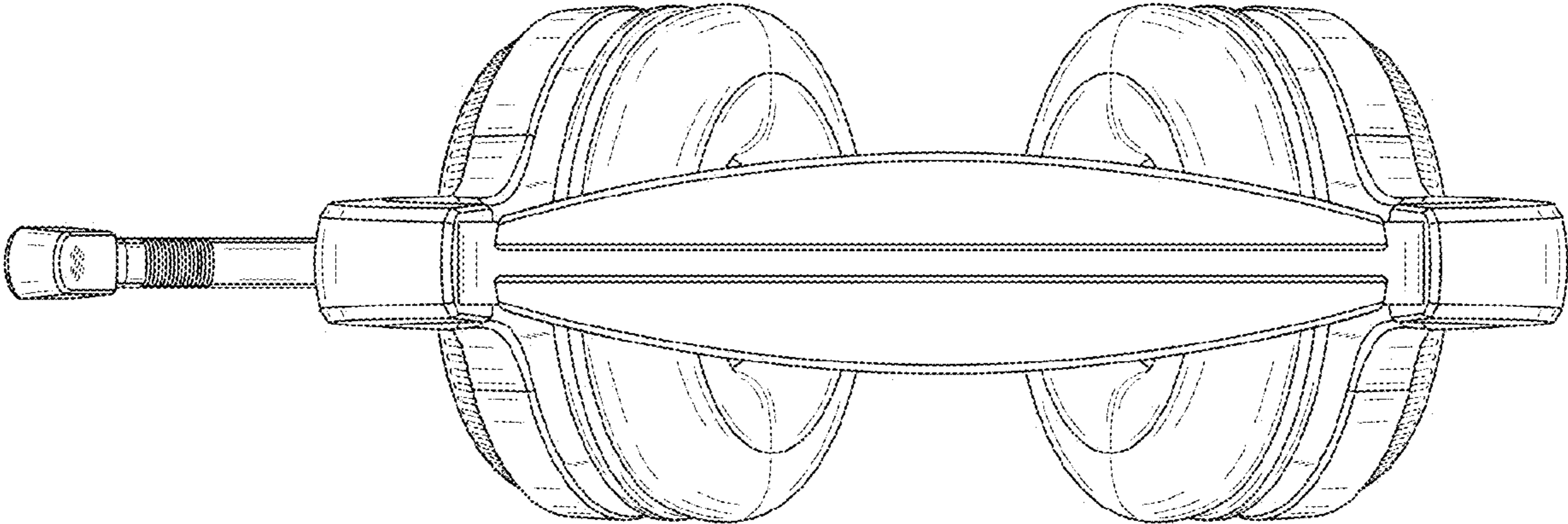


FIG.5

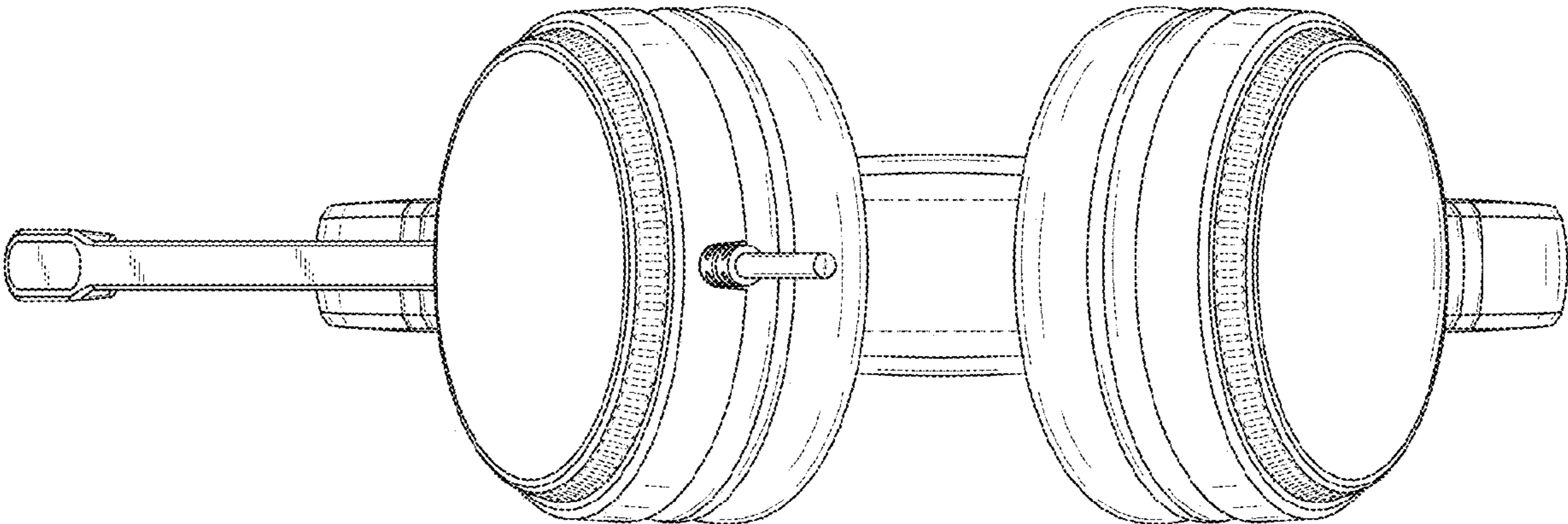


FIG.6



FIG. 7



FIG.8