



US00D928115S

(12) **United States Design Patent**
Huang

(10) **Patent No.:** **US D928,115 S**

(45) **Date of Patent:** **** Aug. 17, 2021**

(54) **HEADPHONE**

(71) Applicant: **Shenzhen linx technology co., LTD,**
Shenzhen (CN)

(72) Inventor: **Yue Huang,** Shenzhen (CN)

(**) Term: **15 Years**

(21) Appl. No.: **29/723,639**

(22) Filed: **Feb. 10, 2020**

(51) **LOC (13) Cl.** **14-01**

(52) **U.S. Cl.**

USPC **D14/205;** D14/207

(58) **Field of Classification Search**

USPC D14/205, 206, 188, 192, 207; D29/112;
2/209; D21/617, 660; 381/380, 381,
381/374; 455/90.3, 575.1, 569.1

CPC H04R 25/00; H04R 1/1016; H04R 1/1066;
H04R 5/033; H04R 5/0335; H04R 25/02

See application file for complete search history.

(56) **References Cited**

U.S. PATENT DOCUMENTS

D155,702 S *	10/1949	Ganine	D21/617
D166,603 S *	4/1952	Hartman	D7/302
D180,052 S *	4/1957	Young	D2/869
D386,181 S *	11/1997	Fisher	D14/192
D482,393 S *	11/2003	Hui	D19/116
D512,708 S *	12/2005	Harris, Jr.	D14/205
D534,155 S *	12/2006	Obata	D14/205
D576,604 S *	9/2008	Suzuki	D14/205
D625,705 S *	10/2010	Ohori	D14/205
D634,732 S *	3/2011	Kondo	D14/205
D635,957 S *	4/2011	Hirano	D14/205
D643,065 S *	8/2011	van der Lande ..	D19/142
D657,006 S *	4/2012	Wallick	D21/617
D662,080 S *	6/2012	Carr	D14/205
D665,775 S *	8/2012	Katsumata	D14/205
D683,329 S *	5/2013	Hagelin	D14/205
D685,283 S *	7/2013	Katoh	D11/1

D699,702 S *	2/2014	Chen	D14/205
D717,764 S *	11/2014	Lee	D14/205
D719,136 S *	12/2014	Schaal	D14/206
D757,679 S *	5/2016	Yan	D14/205
D758,508 S *	6/2016	Chuang	D21/630
D795,837 S *	8/2017	Cai	D14/205
D801,948 S *	11/2017	Picunko	D14/205
D813,195 S *	3/2018	Huang	D14/205
10,021,487 B2 *	7/2018	Yan	H04R 5/0335
D851,624 S *	6/2019	Huang	D14/205
D858,483 S *	9/2019	Hu	D14/205
D863,253 S *	10/2019	He	D14/205
D868,026 S *	11/2019	Hardi	D14/205
D869,433 S *	12/2019	Huan	D14/205

(Continued)

FOREIGN PATENT DOCUMENTS

CN	306402067	*	3/2021
EM	007685730-0001	*	2/2020

(Continued)

Primary Examiner — Paula Allen Greene

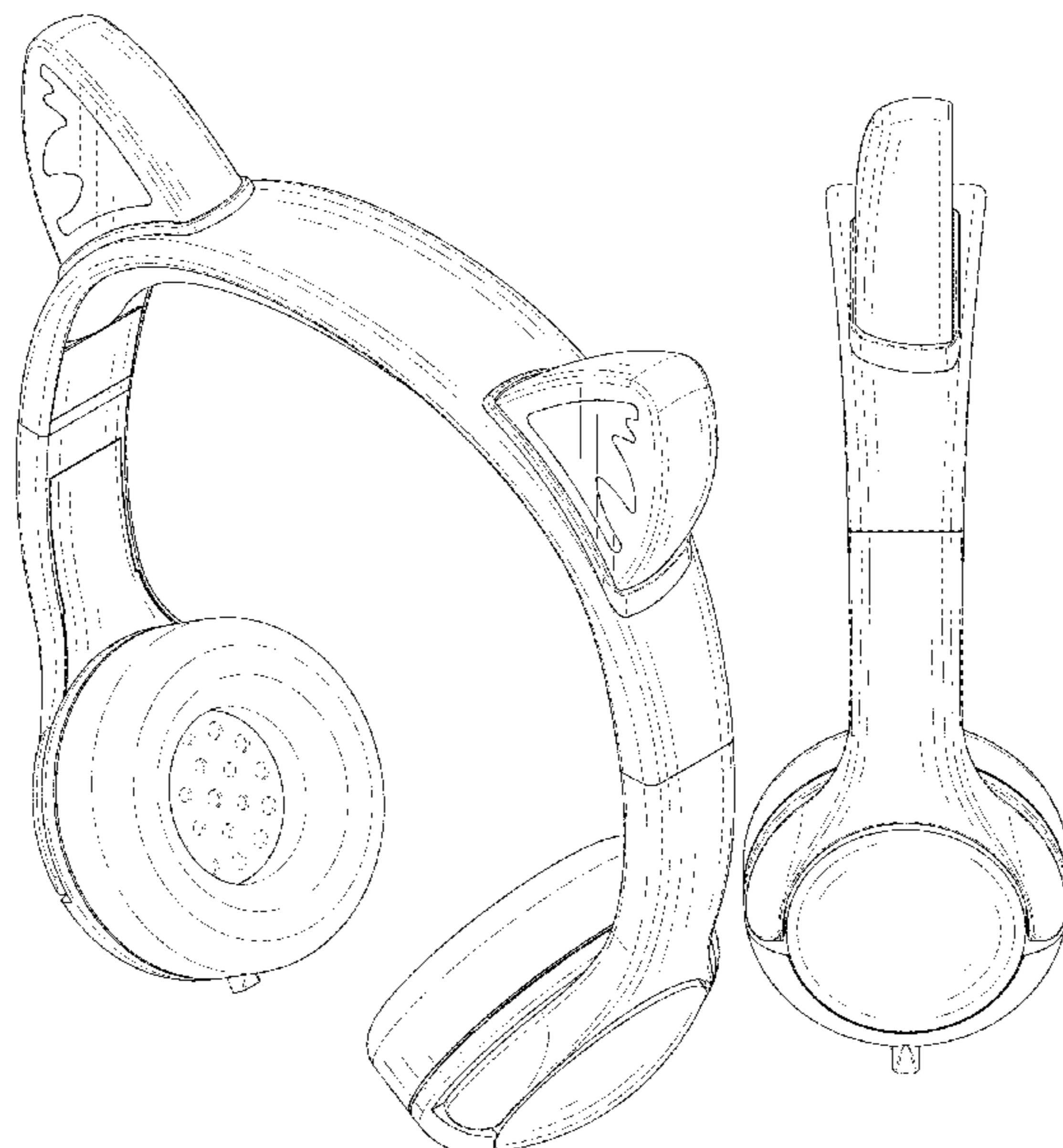
(57) **CLAIM**

The ornamental design for a headphone, as shown and described.

DESCRIPTION

FIG. 1 is a front and top perspective view of a headphone, showing my new design;
 FIG. 2 is a rear and bottom perspective view thereof;
 FIG. 3 is a front elevational view thereof;
 FIG. 4 is a rear elevational view thereof;
 FIG. 5 is a left side elevational view thereof;
 FIG. 6 is a right side elevational view thereof;
 FIG. 7 is a top plan view thereof; and,
 FIG. 8 is a bottom plan view thereof.
 The broken lines in the figures illustrate portions of the headphone that form no part of the claimed design.

1 Claim, 8 Drawing Sheets



(56)

References Cited

U.S. PATENT DOCUMENTS

D869,437	S	*	12/2019	Hu	D14/205
D879,742	S	*	3/2020	Hu	D14/205
D884,669	S	*	5/2020	Zhong	D14/205
D887,391	S	*	6/2020	Chong	D14/205
D888,008	S	*	6/2020	Yook	D14/205
D889,431	S	*	7/2020	Huang	D14/205
D890,124	S	*	7/2020	ShiXing	D14/205
D892,080	S	*	8/2020	Krakovskiy	D14/205
D901,437	S	*	11/2020	ShiXing	D14/205
D902,176	S	*	11/2020	Huang	D14/205
D909,989	S	*	2/2021	Lu	D14/205
D914,635	S	*	3/2021	Tong	D14/205
D916,048	S	*	4/2021	Meyer	D14/206
2004/0213428	A1	*	10/2004	Lenhard-Backhaus	
						H04R 1/1066
						381/370
2010/0177907	A1	*	7/2010	Morisawa	H04R 5/0335
						381/74
2016/0088383	A1	*	3/2016	Yan	H04R 5/0335
						381/378

FOREIGN PATENT DOCUMENTS

EM	008160840-0001	*	9/2020
EM	008276281-0001	*	11/2020
GB	6103038	*	10/2020

* cited by examiner

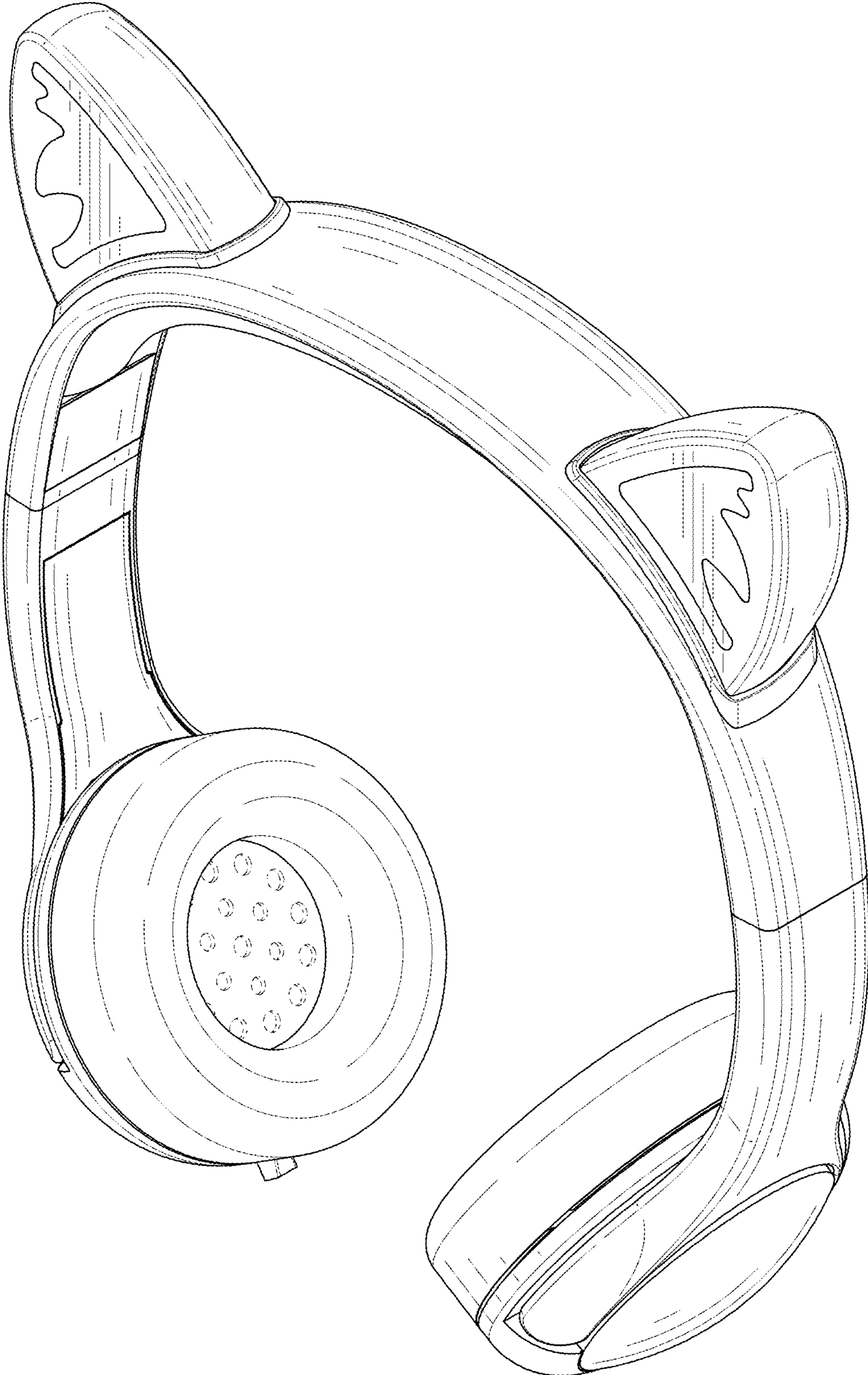


FIG. 1

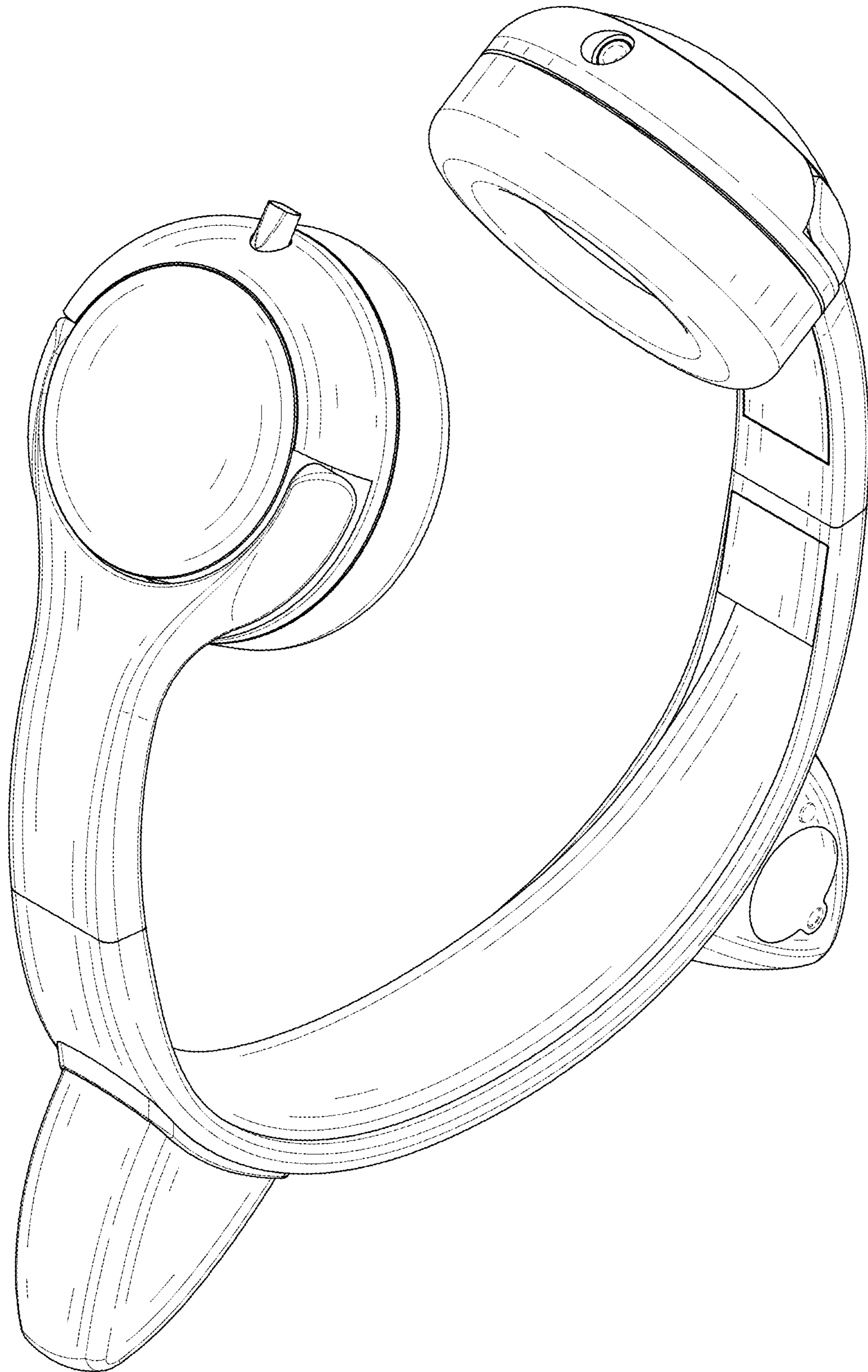


FIG. 2



FIG. 3

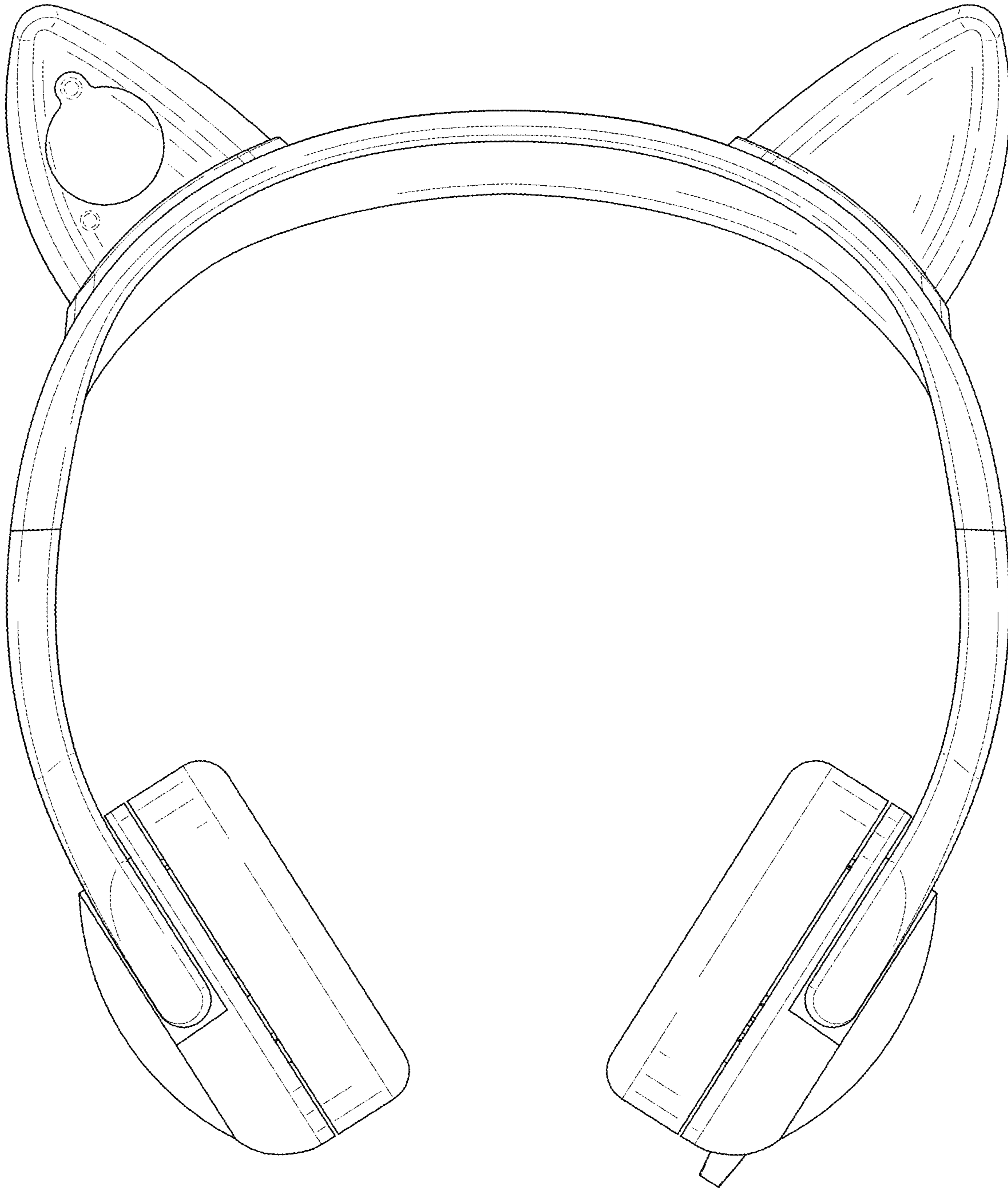


FIG. 4

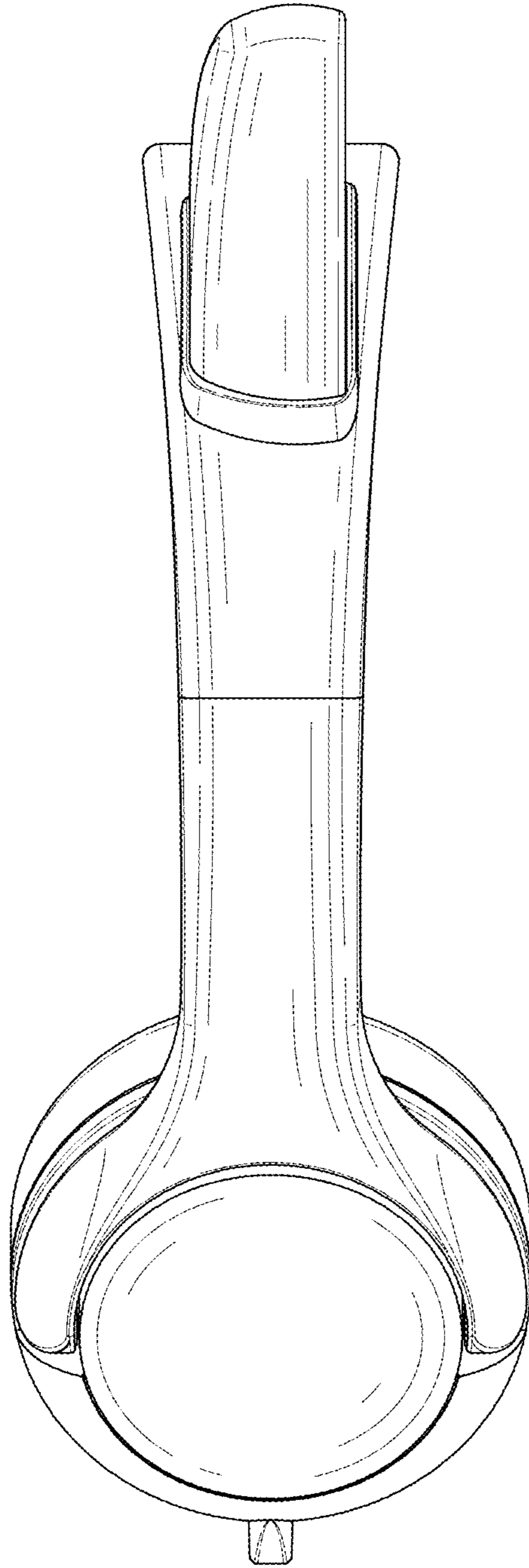


FIG. 5

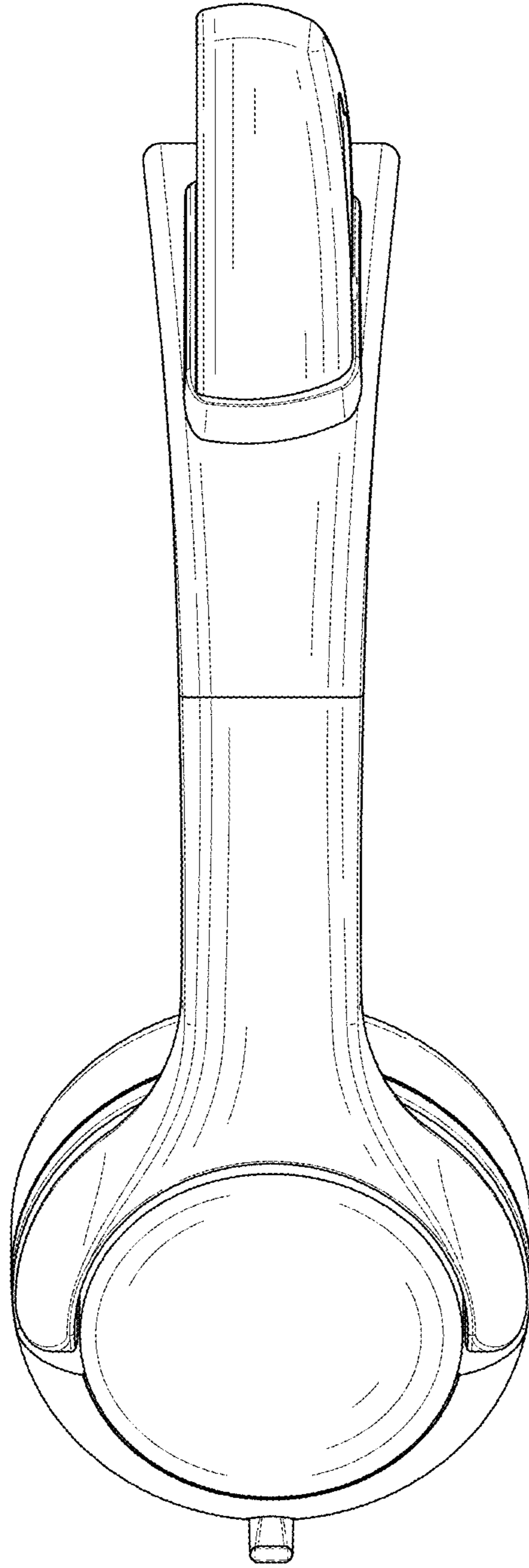


FIG. 6

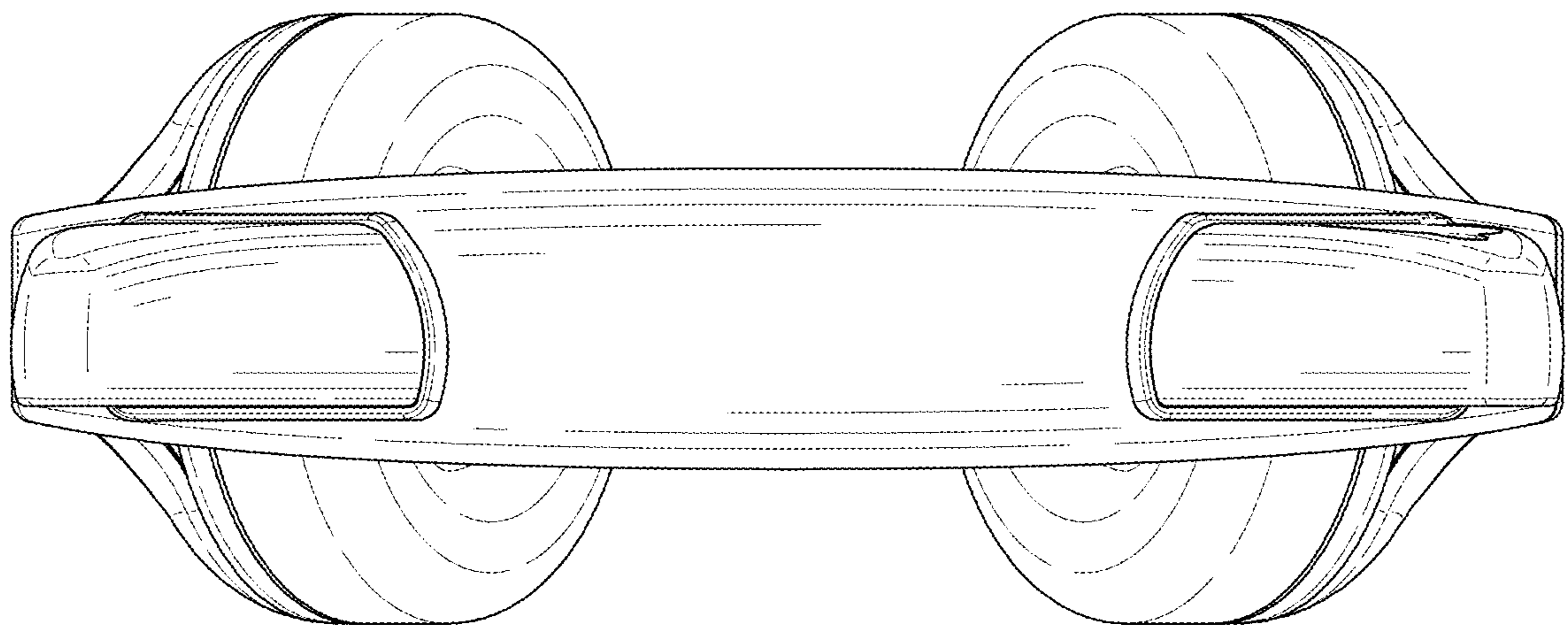


FIG. 7

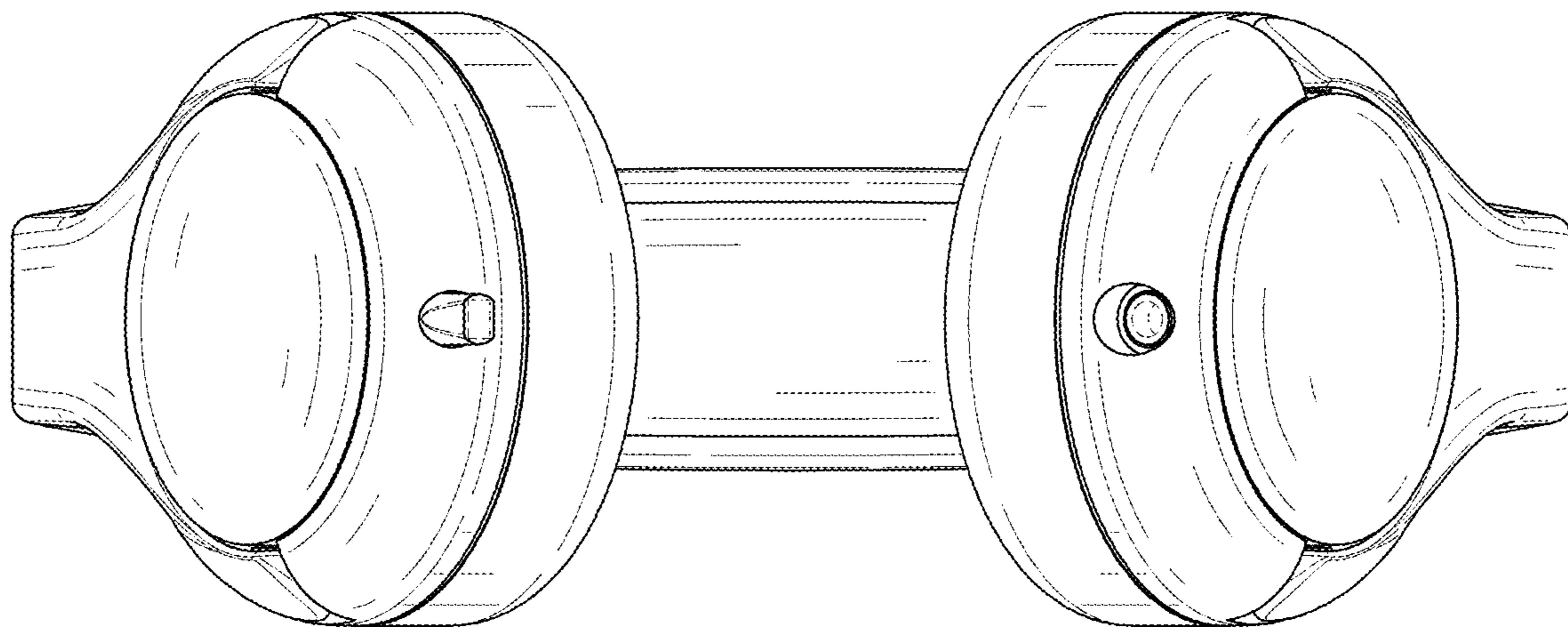


FIG. 8