



US00D928114S

(12) **United States Design Patent**  
**Terazaki**

(10) **Patent No.:** **US D928,114 S**

(45) **Date of Patent:** **\*\* Aug. 17, 2021**

(54) **HEADPHONE**

(71) Applicant: **YAMAHA CORPORATION,**  
Hamamatsu (JP)

(72) Inventor: **Yoshinobu Terazaki,** Hamamatsu (JP)

(73) Assignee: **YAMAHA CORPORATION,**  
Hamamatsu (JP)

(\*\*) Term: **15 Years**

(21) Appl. No.: **29/718,021**

(22) Filed: **Dec. 20, 2019**

(51) **LOC (13) Cl.** ..... **14-01**

(52) **U.S. Cl.**  
USPC ..... **D14/205**

(58) **Field of Classification Search**  
USPC ..... D14/205, 188, 192, 206; D29/112;  
2/209; 381/380, 381, 374; 455/90.3,  
455/575.1, 569.1  
CPC ..... H04R 25/00; H04R 25/02; H04R 1/10;  
H04R 5/033; H04R 5/0335; H04R  
1/1066; H04R 1/1016  
See application file for complete search history.

(56) **References Cited**

**U.S. PATENT DOCUMENTS**

|           |      |         |                  |       |                        |
|-----------|------|---------|------------------|-------|------------------------|
| 4,465,905 | A *  | 8/1984  | Nation           | ..... | H04R 1/24<br>381/386   |
| 5,185,807 | A *  | 2/1993  | Bergin           | ..... | H04R 1/1066<br>181/128 |
| D510,335  | S *  | 10/2005 | Suzuki           | ..... | D14/205                |
| D514,087  | S *  | 1/2006  | Wilson           | ..... | D14/206                |
| D517,045  | S *  | 3/2006  | Komiyama         | ..... | D14/205                |
| 7,072,483 | B2 * | 7/2006  | Lenhard-Backhaus | ..... | H04R 1/1066<br>381/370 |
| D532,407  | S *  | 11/2006 | Motoishi         | ..... | D14/205                |
| D538,261  | S *  | 3/2007  | Taylor           | ..... | D14/205                |
| D541,255  | S *  | 4/2007  | Taylor           | ..... | D14/205                |

|           |      |         |           |       |                           |
|-----------|------|---------|-----------|-------|---------------------------|
| D549,217  | S *  | 8/2007  | Viduya    | ..... | D14/206                   |
| 7,388,960 | B2 * | 6/2008  | Kuo       | ..... | H04R 1/1041<br>379/430    |
| D573,581  | S *  | 7/2008  | Gondo     | ..... | D14/205                   |
| 7,457,649 | B1 * | 11/2008 | Wilson    | ..... | H04R 1/1025<br>379/428.02 |
| D585,872  | S *  | 2/2009  | Lee       | ..... | D14/205                   |
| D588,098  | S *  | 3/2009  | Kurihara  | ..... | D14/205                   |
| D594,847  | S *  | 6/2009  | Suzuki    | ..... | D14/205                   |
| D597,070  | S *  | 7/2009  | Zheng     | ..... | D14/205                   |
| D600,674  | S *  | 9/2009  | Brennwald | ..... | D14/205                   |
| D603,370  | S *  | 11/2009 | Suzuki    | ..... | D14/205                   |
| D633,895  | S *  | 3/2011  | Morimoto  | ..... | D14/205                   |
| D635,958  | S *  | 4/2011  | Ando      | ..... | D14/205                   |
| D637,579  | S *  | 5/2011  | Hamaura   | ..... | D14/205                   |
| D639,775  | S *  | 6/2011  | Horibe    | ..... | D14/205                   |
| D639,776  | S *  | 6/2011  | Arimoto   | ..... | D14/205                   |

(Continued)

**FOREIGN PATENT DOCUMENTS**

EM 007437249-0001 \* 12/2019

*Primary Examiner* — Paula Allen Greene

(74) *Attorney, Agent, or Firm* — Sughrue Mion, PLLC

(57) **CLAIM**

The ornamental design for a headphone, as shown and described.

**DESCRIPTION**

FIG. 1 is a perspective view of the front, top and right side of a headphone showing my new design; FIG. 2 is a front view thereof; FIG. 3 is a rear view thereof; FIG. 4 is a left side view thereof; FIG. 5 is a right side view thereof; FIG. 6 is a top view thereof; and, FIG. 7 is a bottom view thereof.

The broken line showing of the headphone is included for the purpose of illustrating portions of the headphone and forms no part of the claimed design.

**1 Claim, 6 Drawing Sheets**



(56)

References Cited

U.S. PATENT DOCUMENTS

|              |         |                 |         |                   |         |                 |                        |
|--------------|---------|-----------------|---------|-------------------|---------|-----------------|------------------------|
| D642,554 S * | 8/2011  | Schaal .....    | D14/205 | D869,437 S *      | 12/2019 | Hu .....        | D14/205                |
| D662,080 S * | 6/2012  | Carr .....      | D14/205 | D871,368 S *      | 12/2019 | Saule .....     | D14/205                |
| D664,113 S * | 7/2012  | Katsumata ..... | D14/205 | D872,049 S *      | 1/2020  | Saule .....     | D14/205                |
| D665,775 S * | 8/2012  | Katsumata ..... | D14/205 | D876,388 S *      | 2/2020  | Carr .....      | D14/205                |
| D666,990 S * | 9/2012  | Komiyama .....  | D14/205 | D883,949 S *      | 5/2020  | Hu .....        | D14/205                |
| D677,243 S * | 3/2013  | Kitayama .....  | D14/205 | D890,123 S *      | 7/2020  | Yoshimura ..... | D14/205                |
| D691,583 S * | 10/2013 | Kitayama .....  | D14/205 | D892,079 S *      | 8/2020  | Wu .....        | D14/205                |
| D697,048 S * | 1/2014  | Pavitsich ..... | D14/205 | D894,867 S *      | 9/2020  | Choe .....      | D14/205                |
| D722,998 S * | 2/2015  | Sancho .....    | D14/205 | D900,782 S *      | 11/2020 | Vaclavik .....  | D14/205                |
| D736,174 S * | 8/2015  | Levine .....    | D14/205 | D901,436 S *      | 11/2020 | Peng .....      | D14/205                |
| D736,175 S * | 8/2015  | Levine .....    | D14/205 | D907,598 S *      | 1/2021  | Mei .....       | D14/205                |
| D811,365 S * | 2/2018  | Czaniecki ..... | D14/205 | 2005/0238189 A1 * | 10/2005 | Tsai .....      | H04R 1/1075<br>381/309 |
| D857,652 S * | 8/2019  | Wang .....      | D14/205 | 2006/0104471 A1 * | 5/2006  | Tsunoda .....   | H04R 1/2803<br>381/374 |
| D858,481 S * | 9/2019  | Saule .....     | D14/205 | 2007/0177748 A1 * | 8/2007  | Yang .....      | H04R 1/1075<br>381/309 |
| D859,354 S * | 9/2019  | Xia .....       | D14/205 | 2018/0132027 A1 * | 5/2018  | Hawkes .....    | G06F 3/04847           |
| D860,163 S * | 9/2019  | Xia .....       | D14/205 | 2020/0228890 A1 * | 7/2020  | Han .....       | H04R 1/1008            |
| D868,733 S * | 12/2019 | Luo .....       | D14/205 |                   |         |                 |                        |

\* cited by examiner



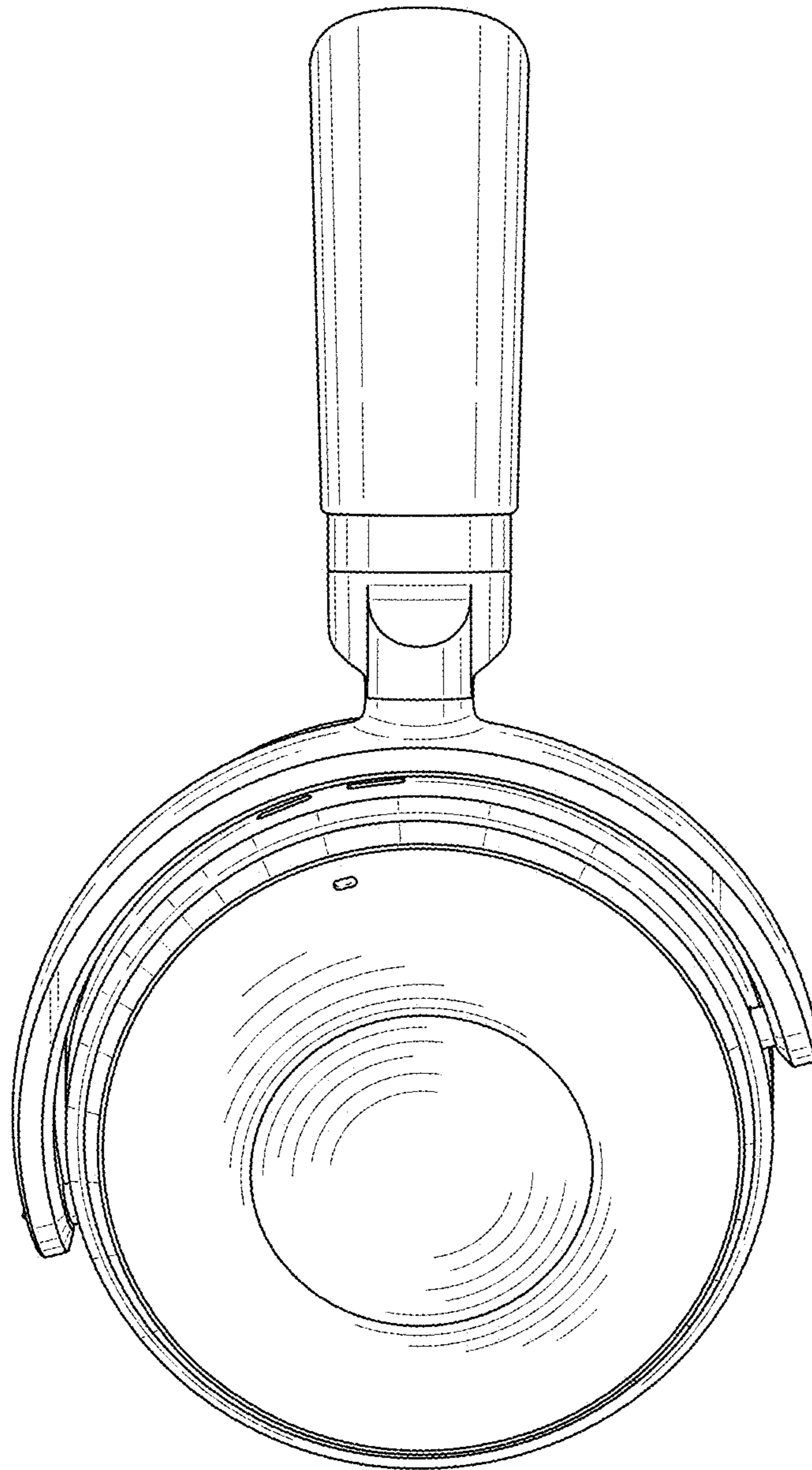
**FIG. 1**



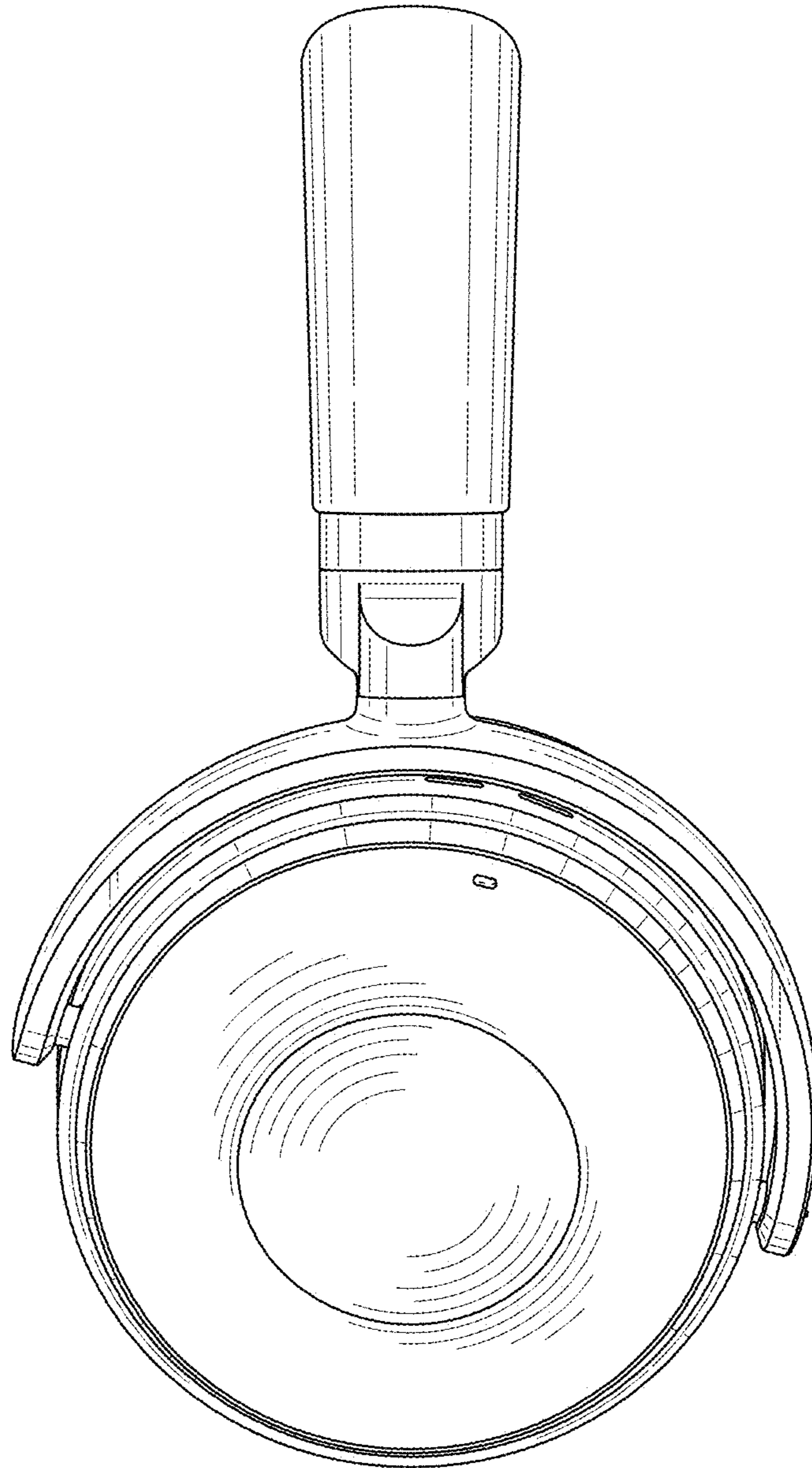
FIG. 2



FIG. 3



*FIG. 4*



*FIG. 5*

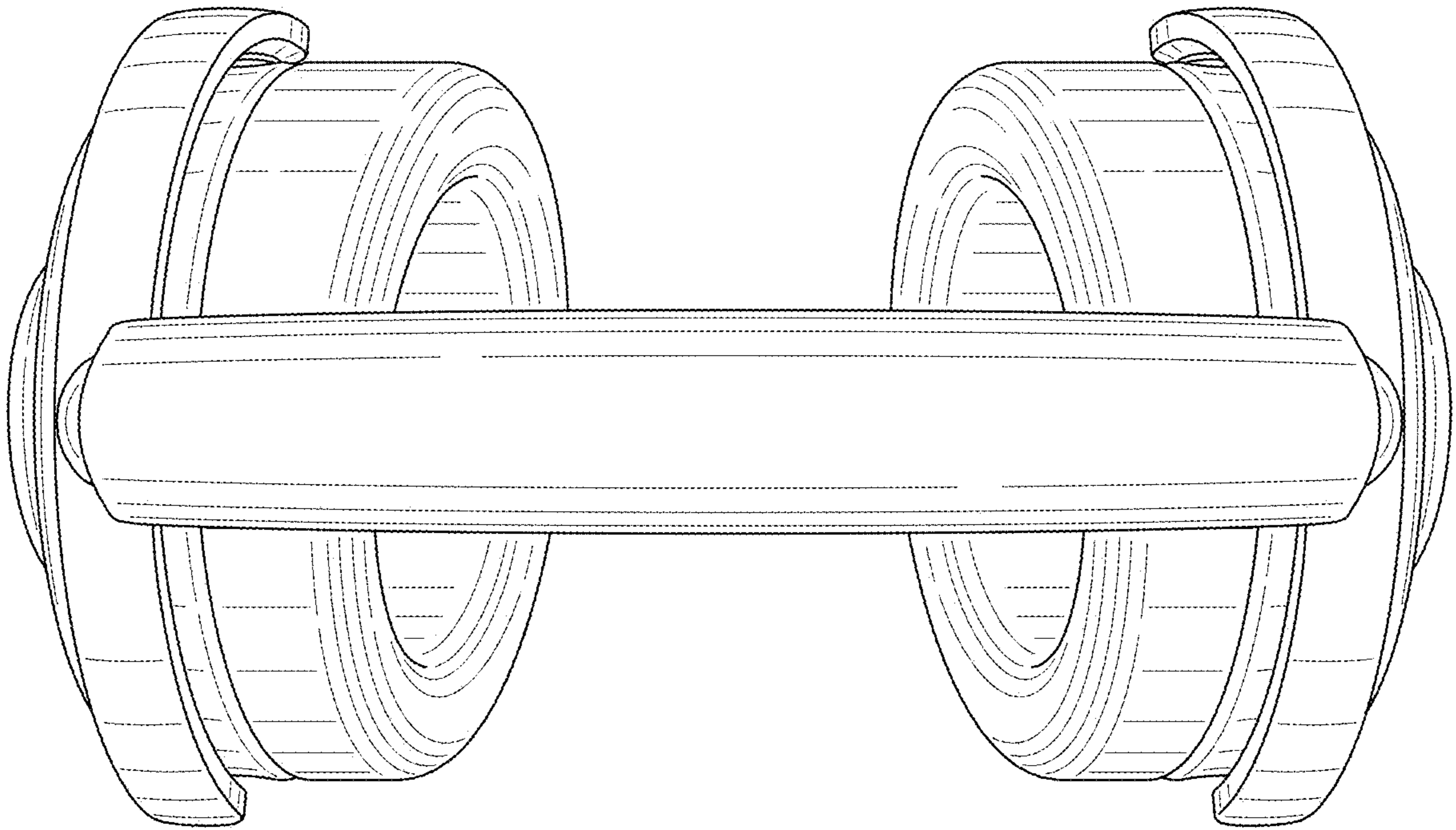


FIG. 6

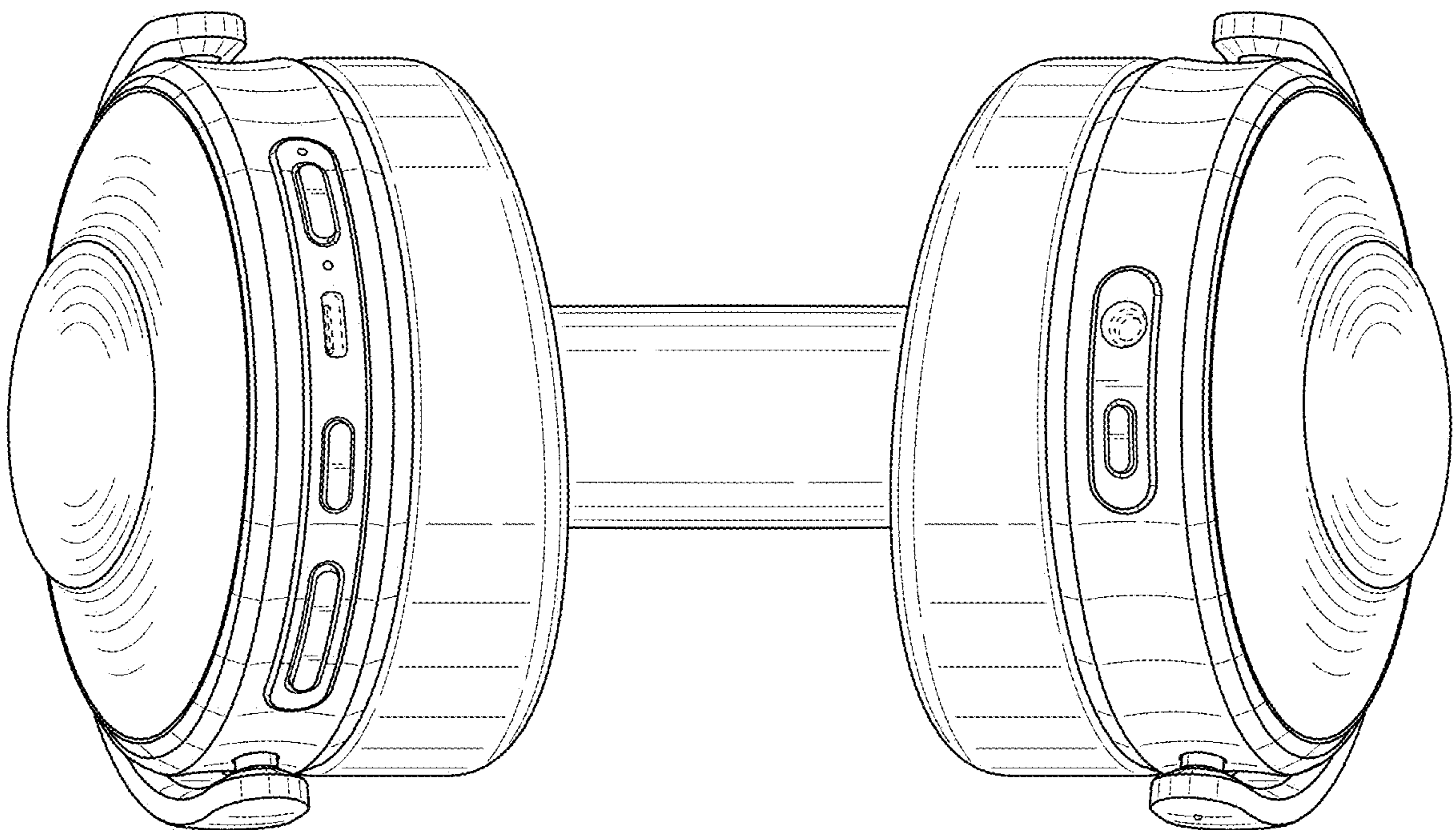


FIG. 7