



US00D928113S

(12) **United States Design Patent** (10) **Patent No.:** **US D928,113 S**
Guack et al. (45) **Date of Patent:** **** Aug. 17, 2021**

(54) **PORTABLE INFORMATION HANDLING SYSTEM WITH DETACHABLE GAMING CONTROLLERS**

FOREIGN PATENT DOCUMENTS

CN 108079576 A 5/2018
JP 2017220185 A 12/2017
KR 20150056066 A 5/2015

(71) Applicant: **Dell Products L.P.**, Round Rock, TX (US)

OTHER PUBLICATIONS

(72) Inventors: **Yongook Guack**, Austin, TX (US); **Andrew P. Tosh**, Cedar Park, TX (US); **Duck Soo Choi**, Austin, TX (US); **Cormac O’Conaire**, Wicklow (IE); **James Lynch**, Wicklow (IE); **Philip Nordmand Anderson**, Wicklow (IE); **Peter Bevan**, Wicklow (IE); **Michael Parker**, Wicklow (IE); **Cathal Loughnane**, Wicklow (IE)

“CES 2020: Alienware Showcases Concept UFO, 8" Handheld For Gaming” Jan. 8, 2020, site visited Mar. 12, 2021: <https://www.anandtech.com/show/15348/ces-2020-alienware-showcases-concept-ufo-8-handheld-gaming> (Year: 2020).*

Primary Examiner — Michael C Stout
Assistant Examiner — Melvin L Davis
(74) *Attorney, Agent, or Firm* — Zagorin Cave LLP; Robert W. Holland

(73) Assignee: **Dell Products L.P.**, Round Rock, TX (US)

(57) **CLAIM**

We claim the ornamental design for a portable information handling system with detachable gaming controllers, as shown and described.

(**) Term: **15 Years**

DESCRIPTION

(21) Appl. No.: **29/719,051**

(22) Filed: **Dec. 31, 2019**

(51) **LOC (13) Cl.** **14-01**

(52) **U.S. Cl.**
USPC **D14/203.7; D14/203.1; D14/203.3; D21/333**

(58) **Field of Classification Search**
USPC D14/174, 218, 387–389, 400–418, D14/426–431, 443, 449–450, 454, 471,
(Continued)

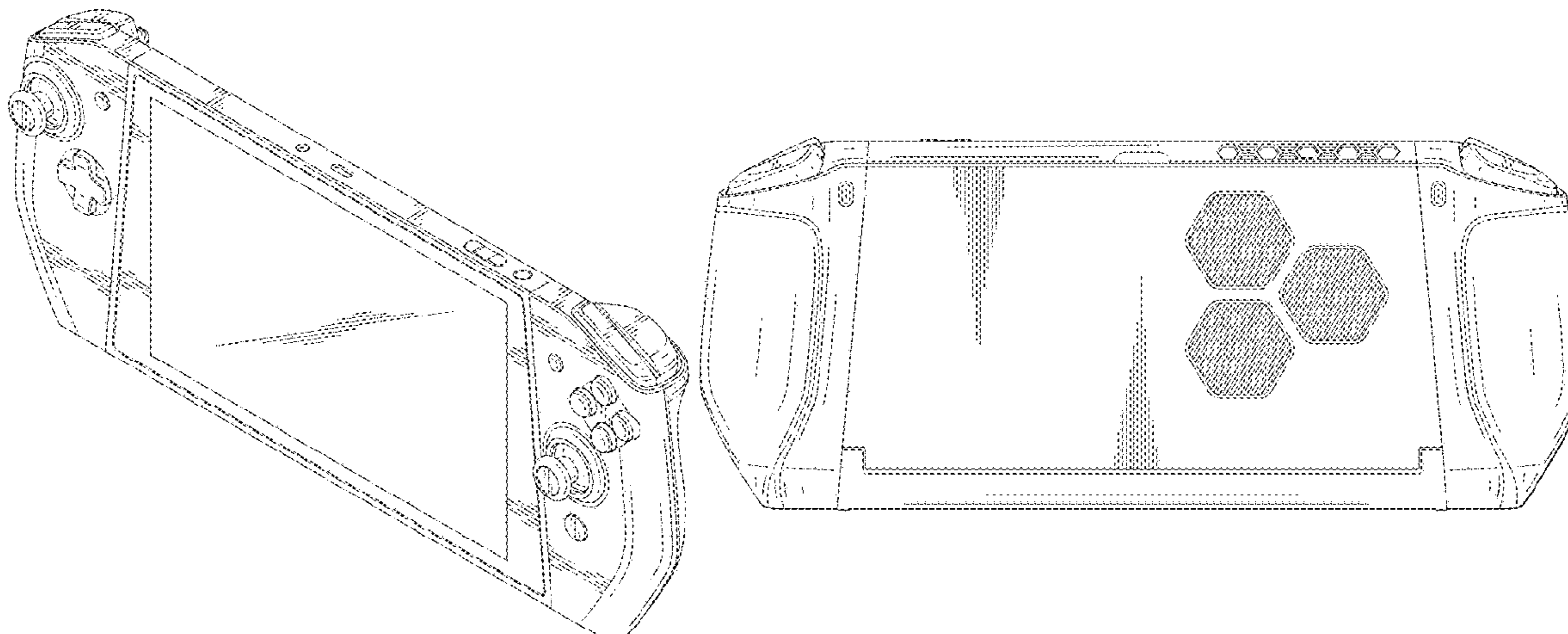
FIG. 1 is a front perspective view of the of the portable information handling system with detachable gaming controllers comprising the present invention; FIG. 2 is a front elevation view thereof; FIG. 3 is a rear elevation view thereof; FIG. 4 is a right side view thereof; FIG. 5 is a left side view thereof; FIG. 6 is a top view thereof; and FIG. 7 is a bottom view thereof; FIG. 8 is a rear perspective view thereof; FIG. 9 is a front perspective view thereof having the gaming controllers detached from the portable information handling system and attached to a bridge; FIG. 10 is a front elevation view thereof; FIG. 11 is a rear elevation view thereof; FIG. 12 is a right side view thereof; FIG. 13 is a left side view thereof; FIG. 14 is a top view thereof; FIG. 15 is a bottom view thereof;

(Continued)

(56) **References Cited**

U.S. PATENT DOCUMENTS

6,811,491 B1 11/2004 Levenberg et al.
7,281,338 B2 10/2007 Ziegmann et al.
(Continued)



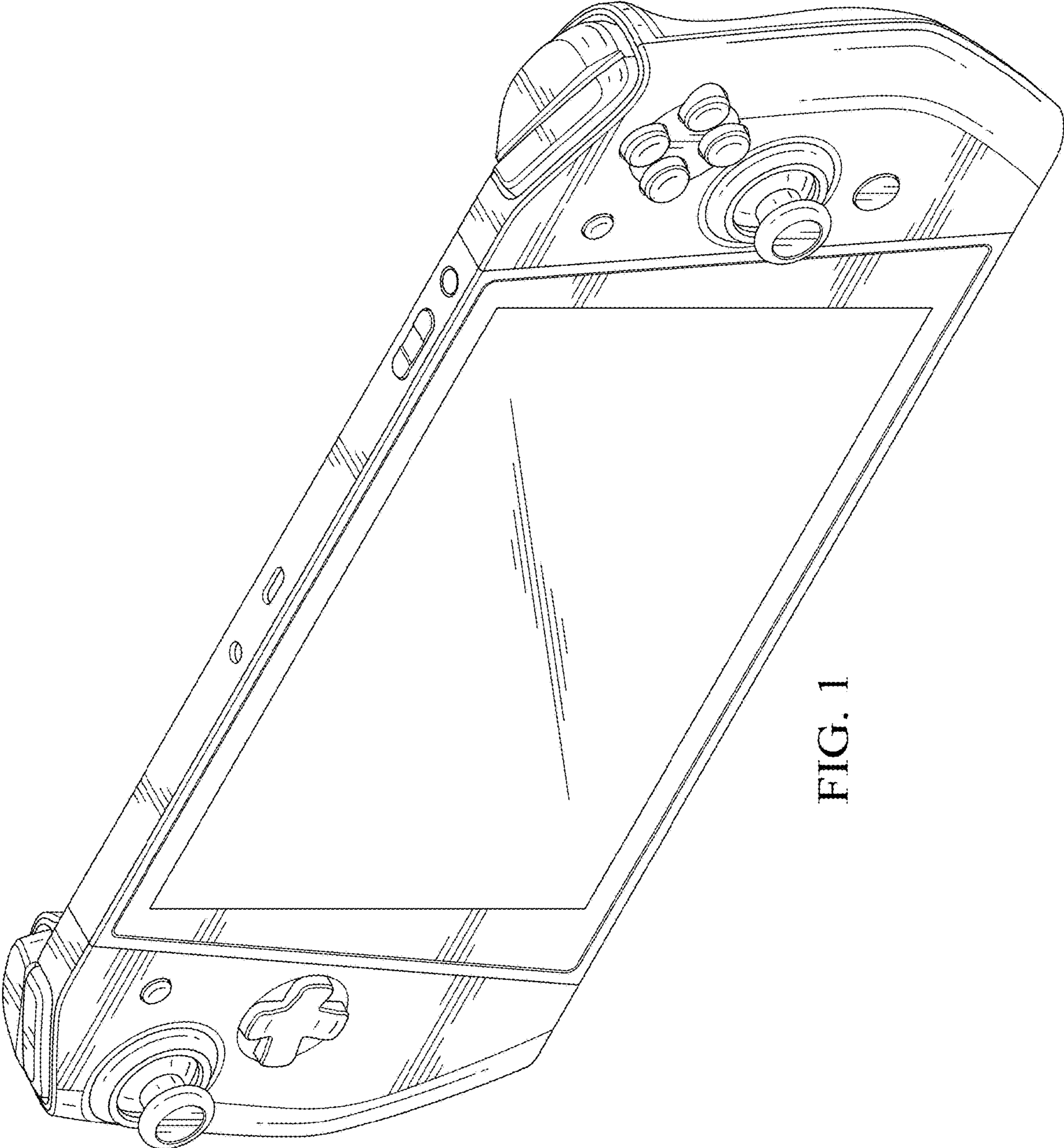


FIG. 1

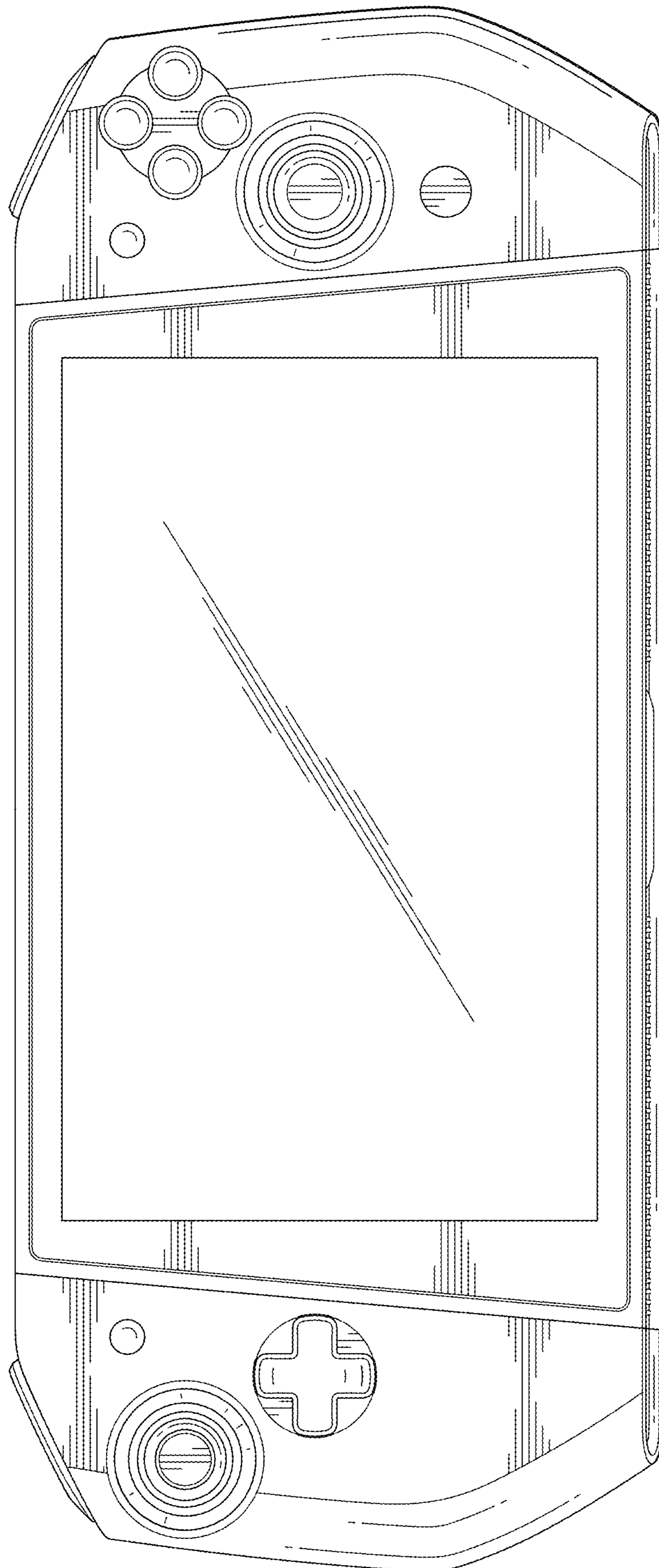


FIG. 2

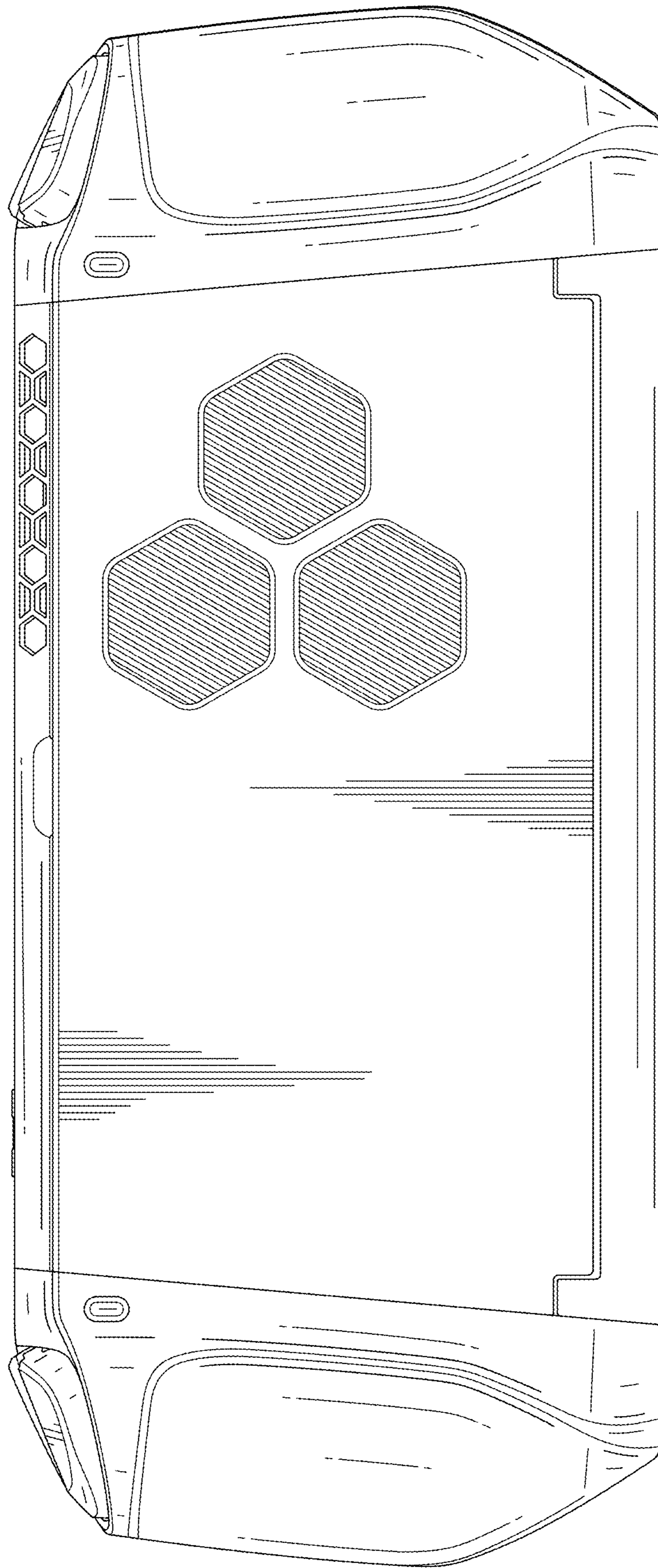


FIG. 3

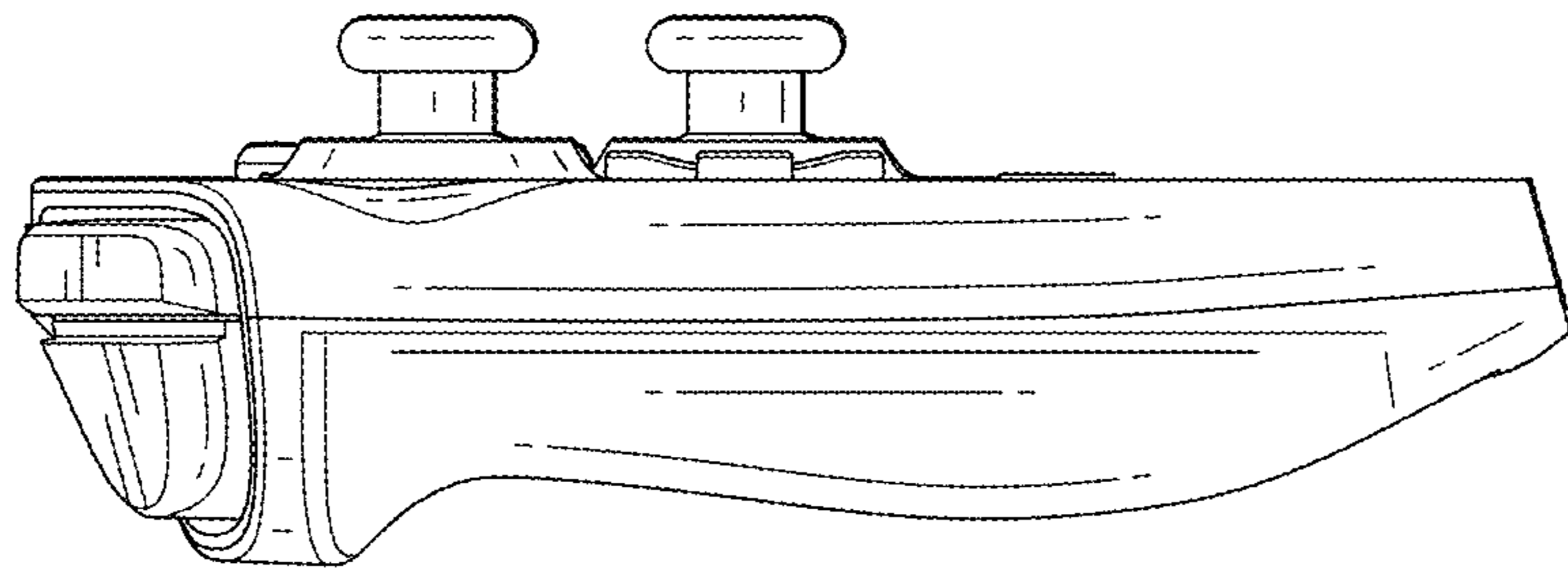


FIG. 5

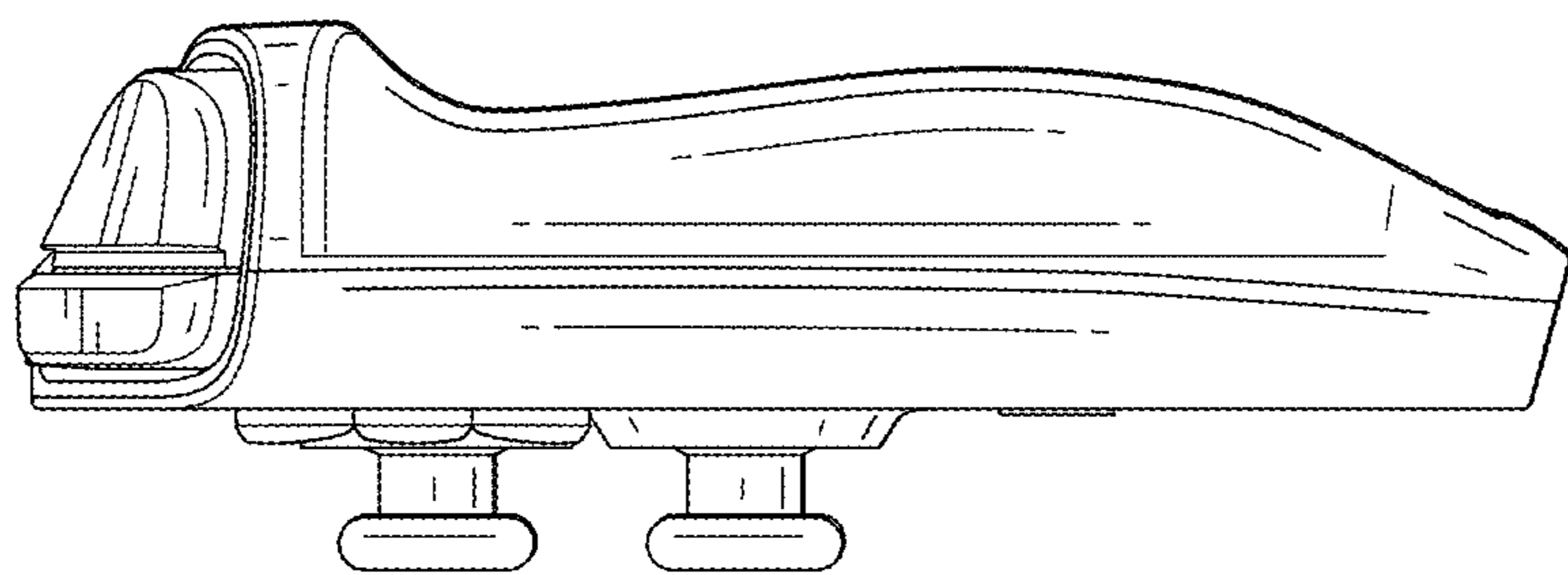


FIG. 4

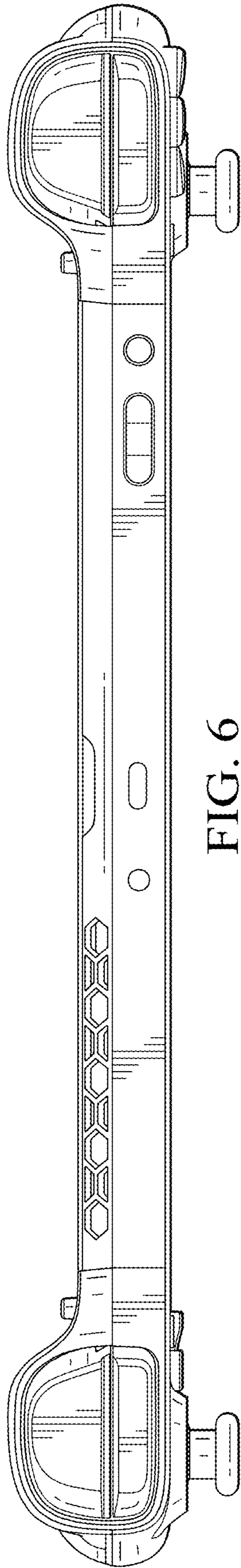


FIG. 6

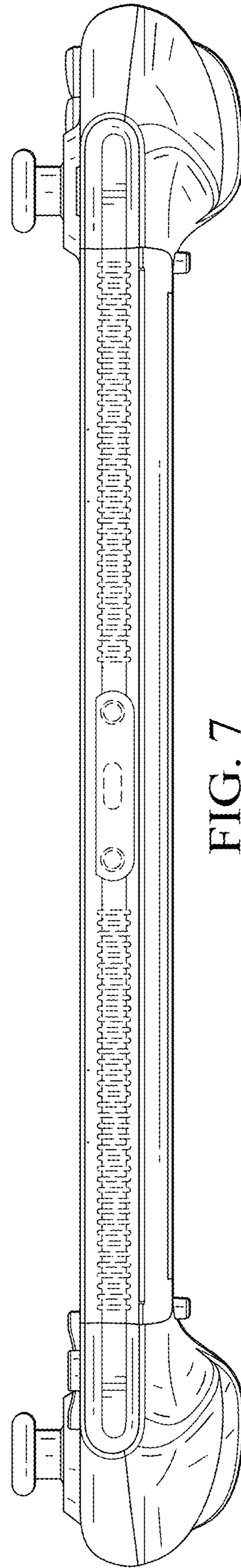


FIG. 7

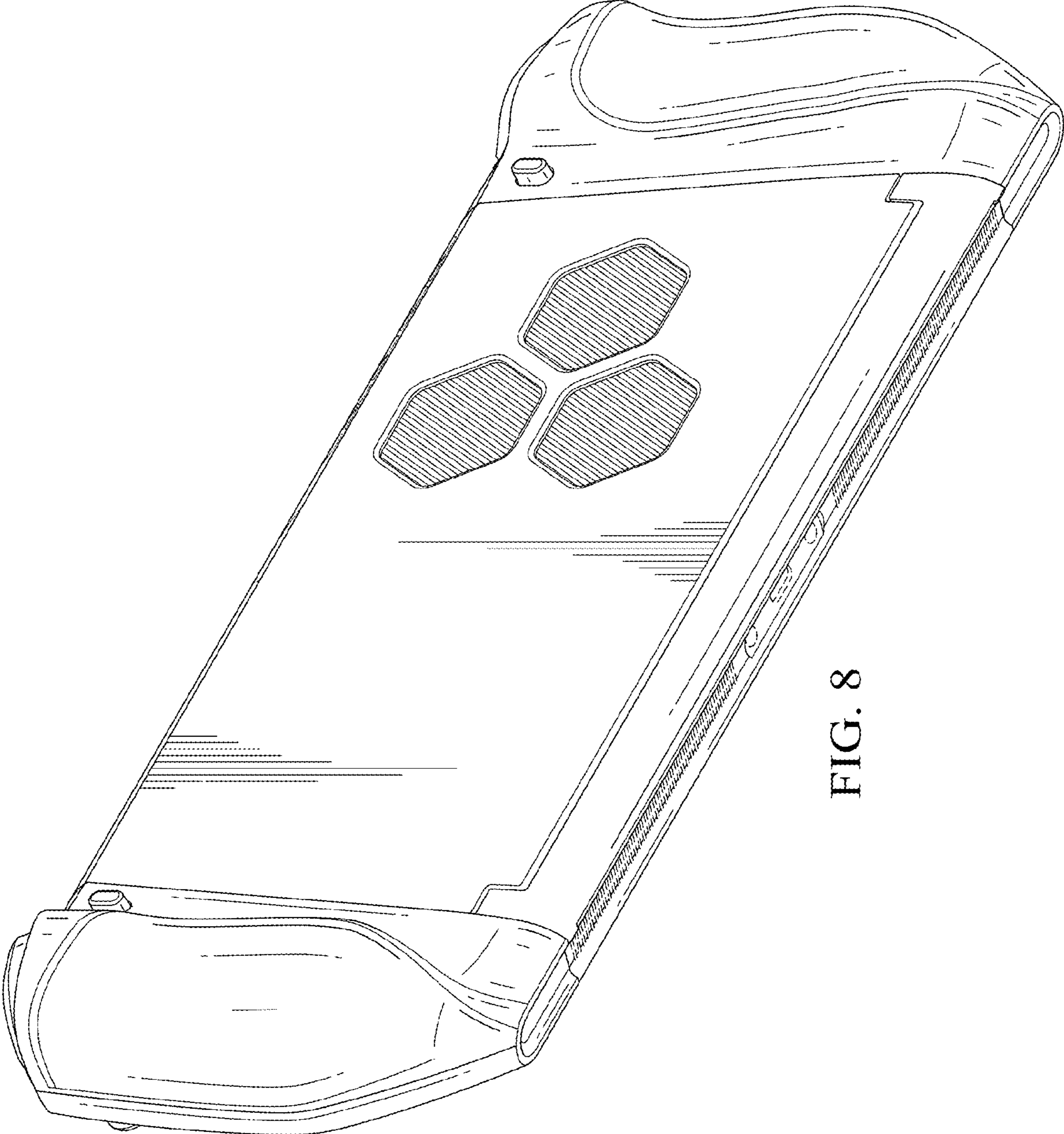


FIG. 8

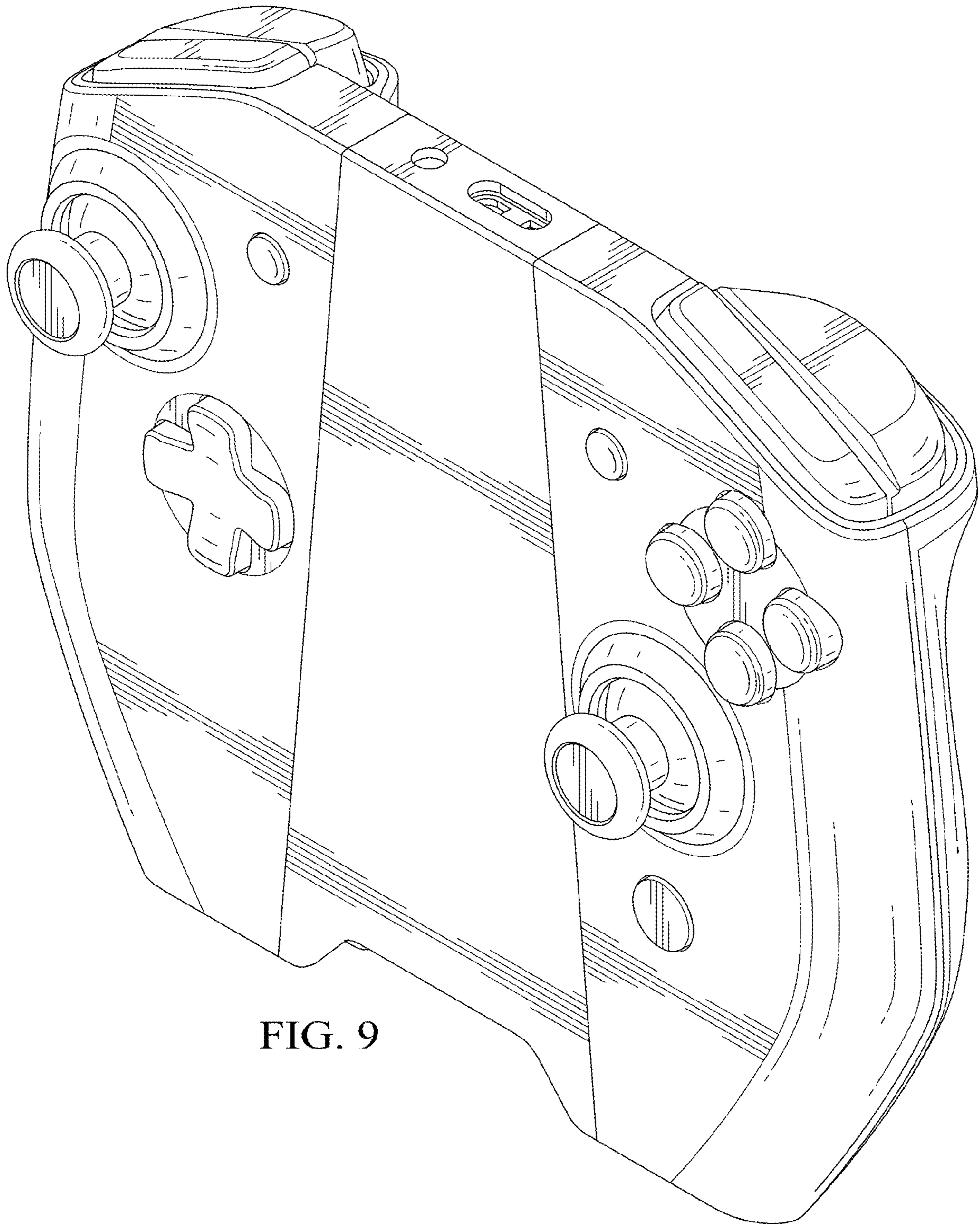


FIG. 9

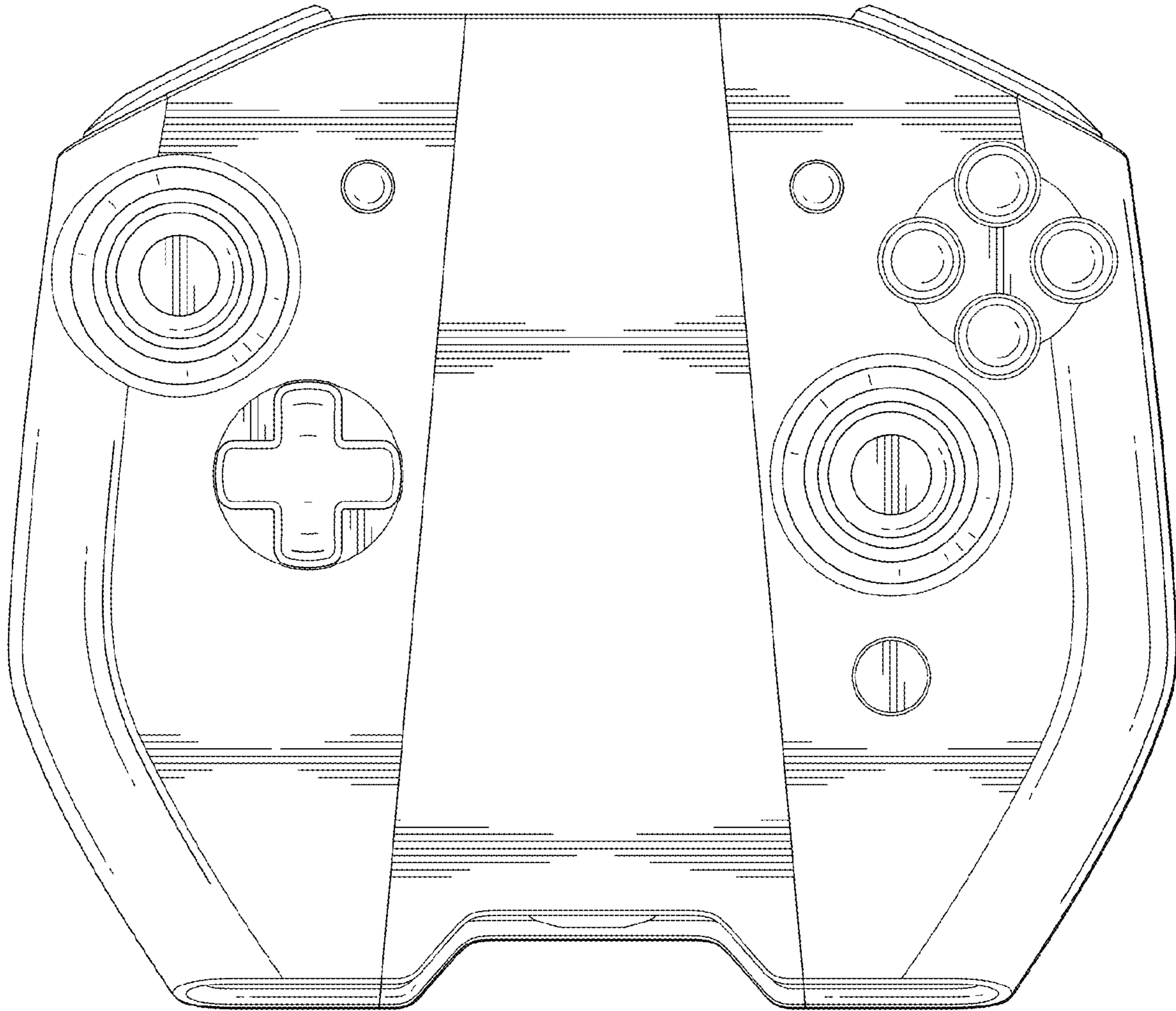


FIG. 10

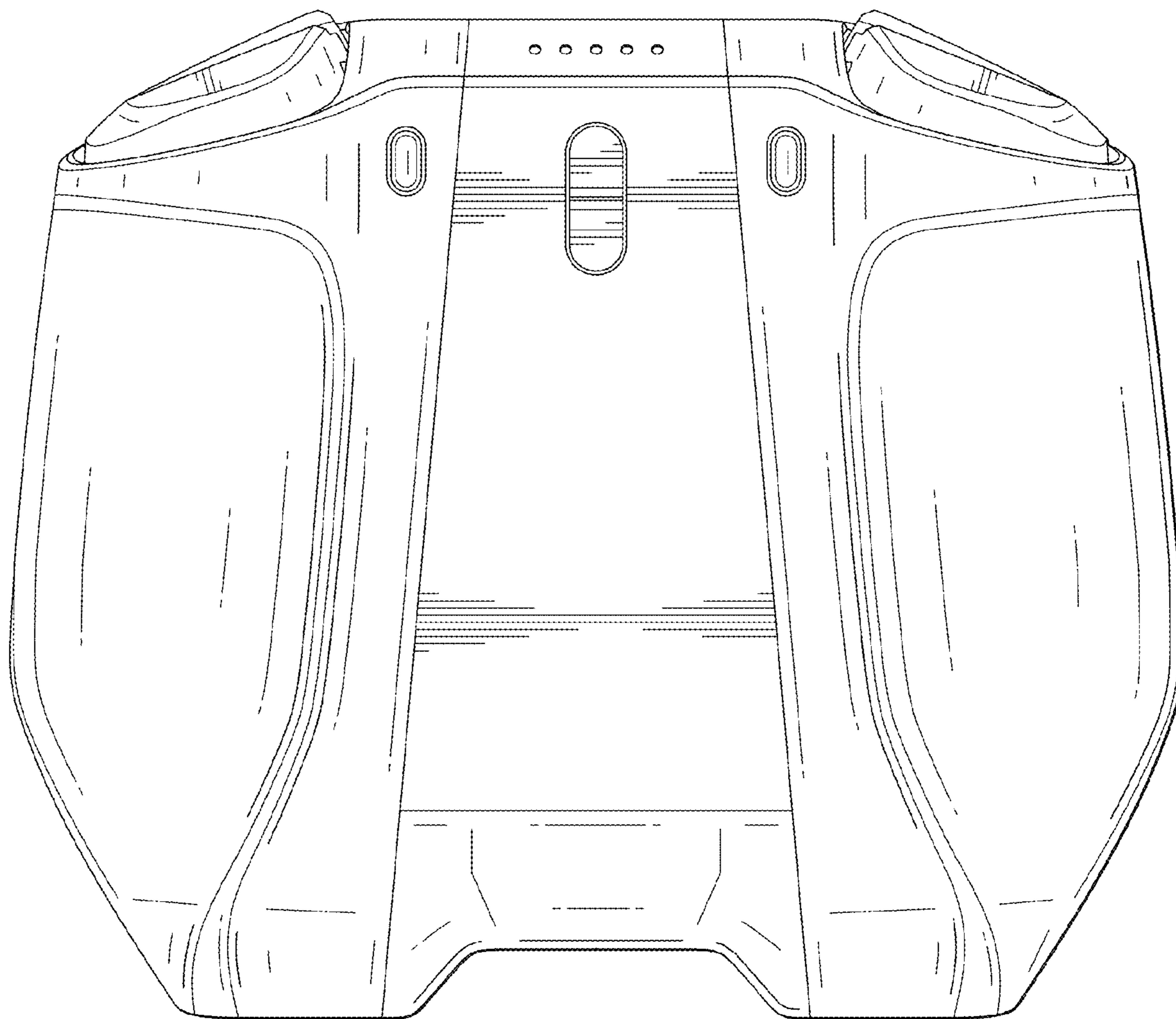


FIG. 11

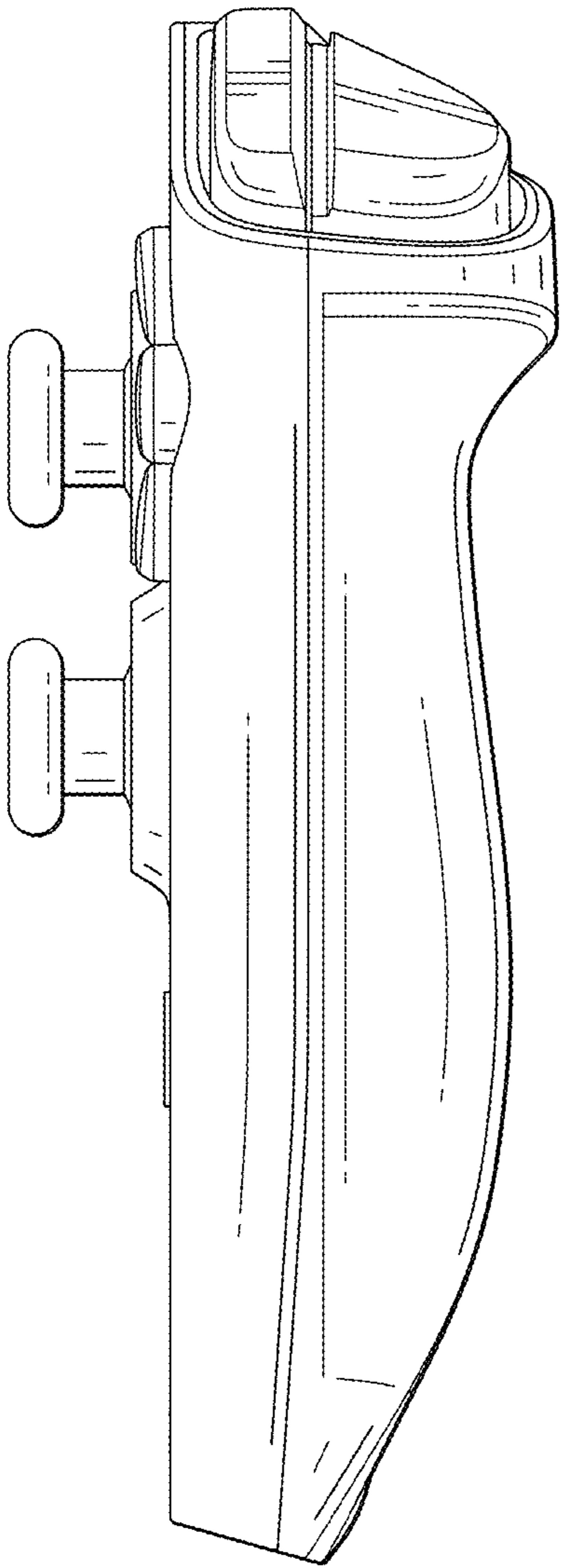


FIG. 12

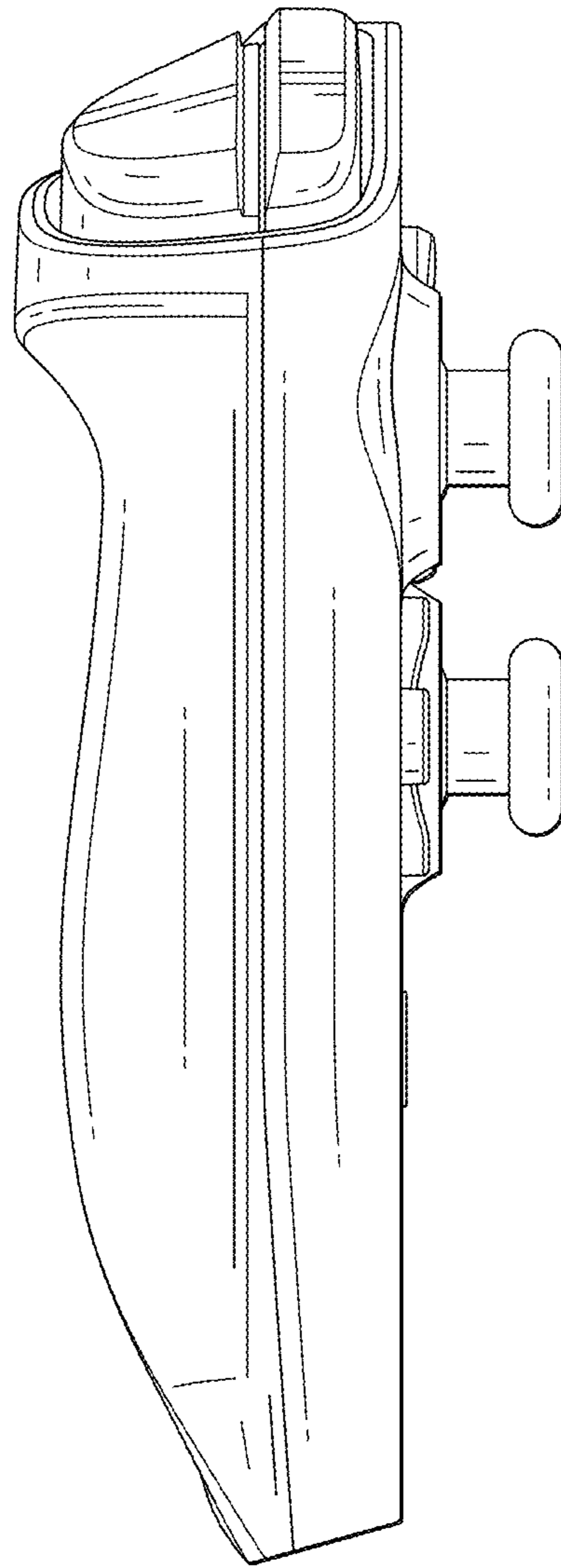


FIG. 13

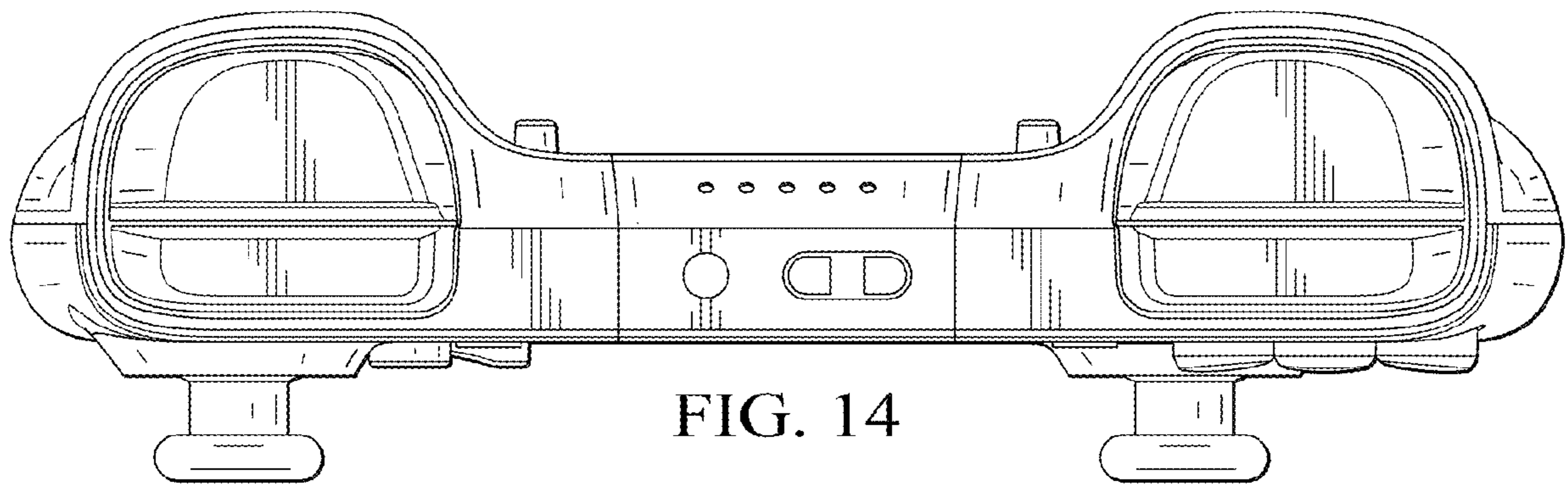


FIG. 14

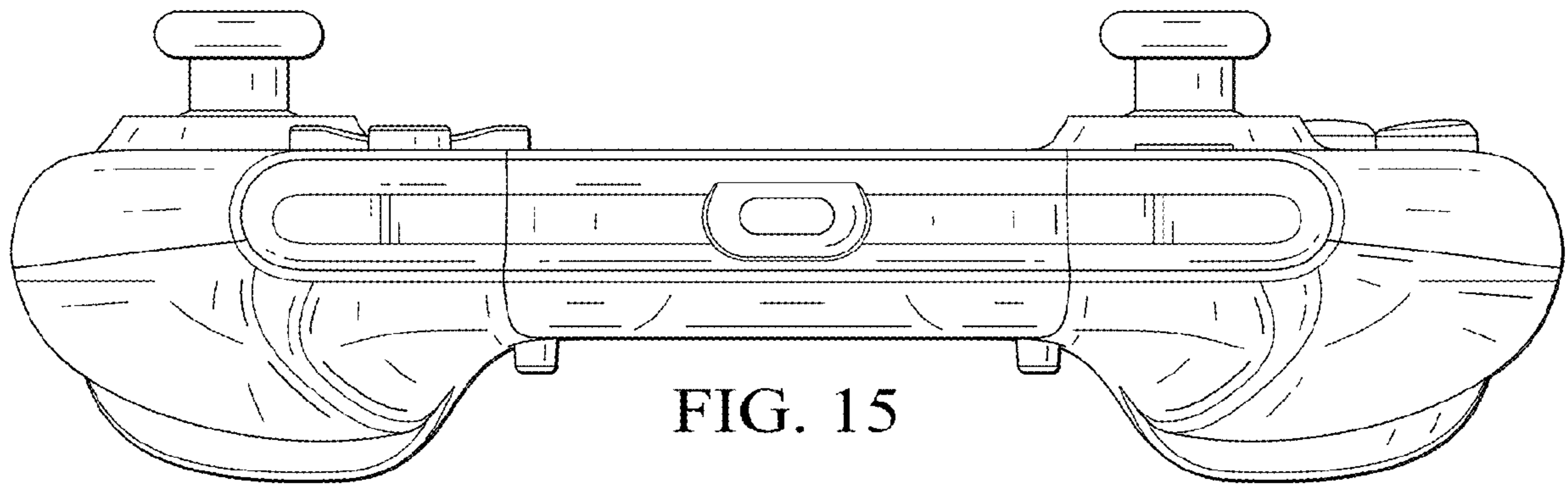


FIG. 15

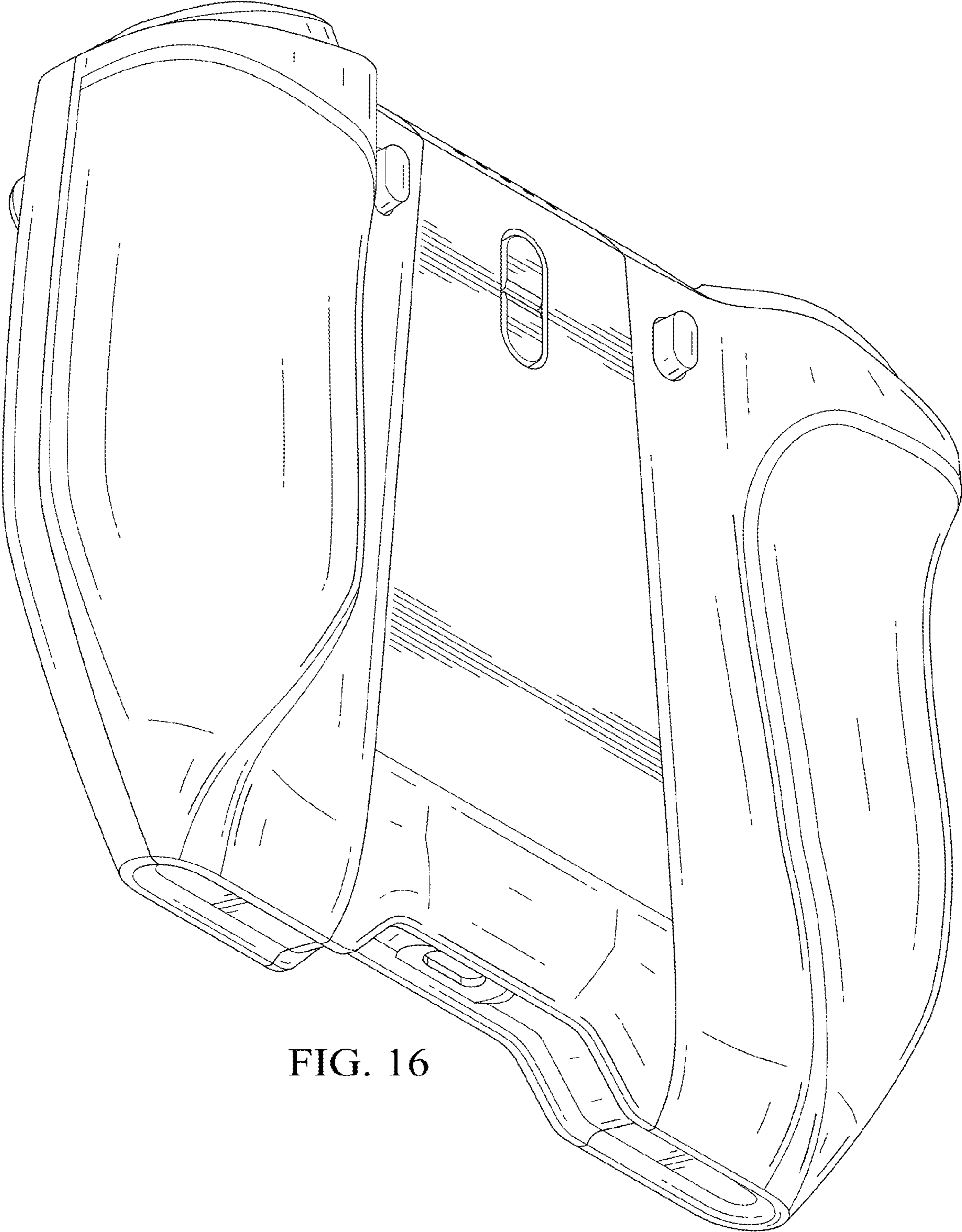


FIG. 16

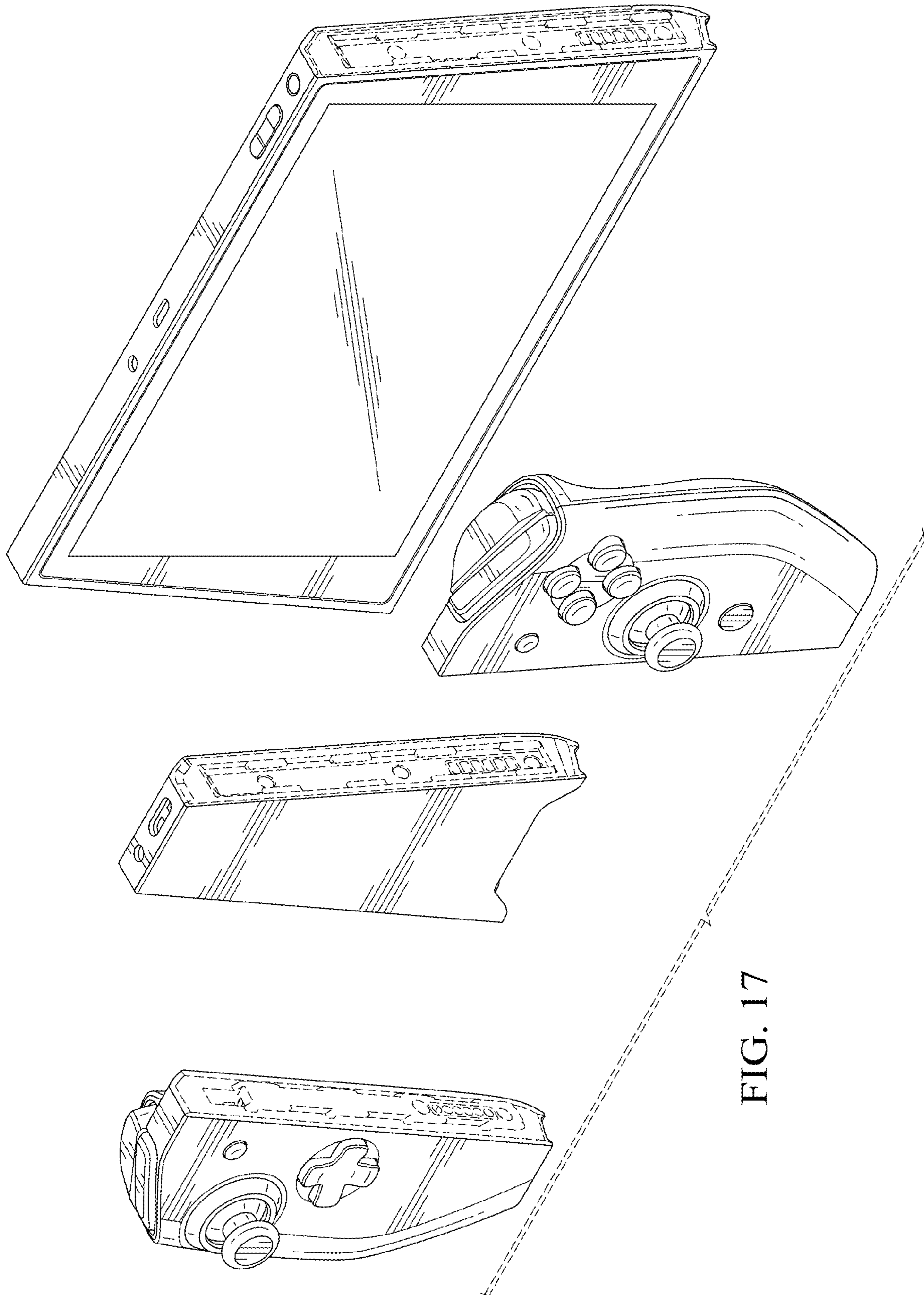


FIG. 17