



US00D928112S

(12) **United States Design Patent** (10) **Patent No.:** **US D928,112 S**  
**McGinty et al.** (45) **Date of Patent:** **\*\* Aug. 17, 2021**

(54) **COMBAT RADIO**  
(71) Applicant: **General Dynamics Mission Systems, Inc.**, Fairfax, VA (US)  
(72) Inventors: **David McGinty**, Scottsdale, AZ (US); **Lucas Jones**, Glendale, AZ (US)  
(73) Assignee: **General Dynamics Mission Systems, Inc.**  
(\*\*) Term: **15 Years**  
(21) Appl. No.: **29/688,787**  
(22) Filed: **Apr. 24, 2019**  
(51) **LOC (13) Cl.** ..... **14-03**  
(52) **U.S. Cl.**  
USPC ..... **D14/188**  
(58) **Field of Classification Search**  
USPC ..... D14/137, 138 R-138 G, 155-159, D14/160-173, 187-188, 189-193, D14/203.1-203.8, 204-216, 217-222, D14/225-229, 496  
CPC ..... B60R 11/0217; H04M 1/03; H04M 1/035; H04N 5/642; H04N 21/4852; H04R 1/02; H04R 1/06; H04R 1/021; H04R 1/025; H04R 1/026; H04R 1/028; H04R 1/105; H04R 1/323; H04R 1/403; H04R 1/2803; H04R 1/2834  
See application file for complete search history.

D488,795 S \* 4/2004 Christianson ..... D14/155  
D711,346 S \* 8/2014 Ismail ..... D14/191  
D813,909 S \* 3/2018 Lacy-Nichols ..... D14/496  
D886,780 S \* 6/2020 Lacy-Nichols ..... D14/204  
D912,008 S \* 3/2021 Zeng ..... D14/197

**FOREIGN PATENT DOCUMENTS**

CN 304737503 \* 7/2018

\* cited by examiner

*Primary Examiner* — Barbara Fox

*Assistant Examiner* — Aram Kwon

(74) *Attorney, Agent, or Firm* — LKGlobal | Lorenz & Kopf, LLP

(57) **CLAIM**

The ornamental design for a combat radio, as shown and described.

**DESCRIPTION**

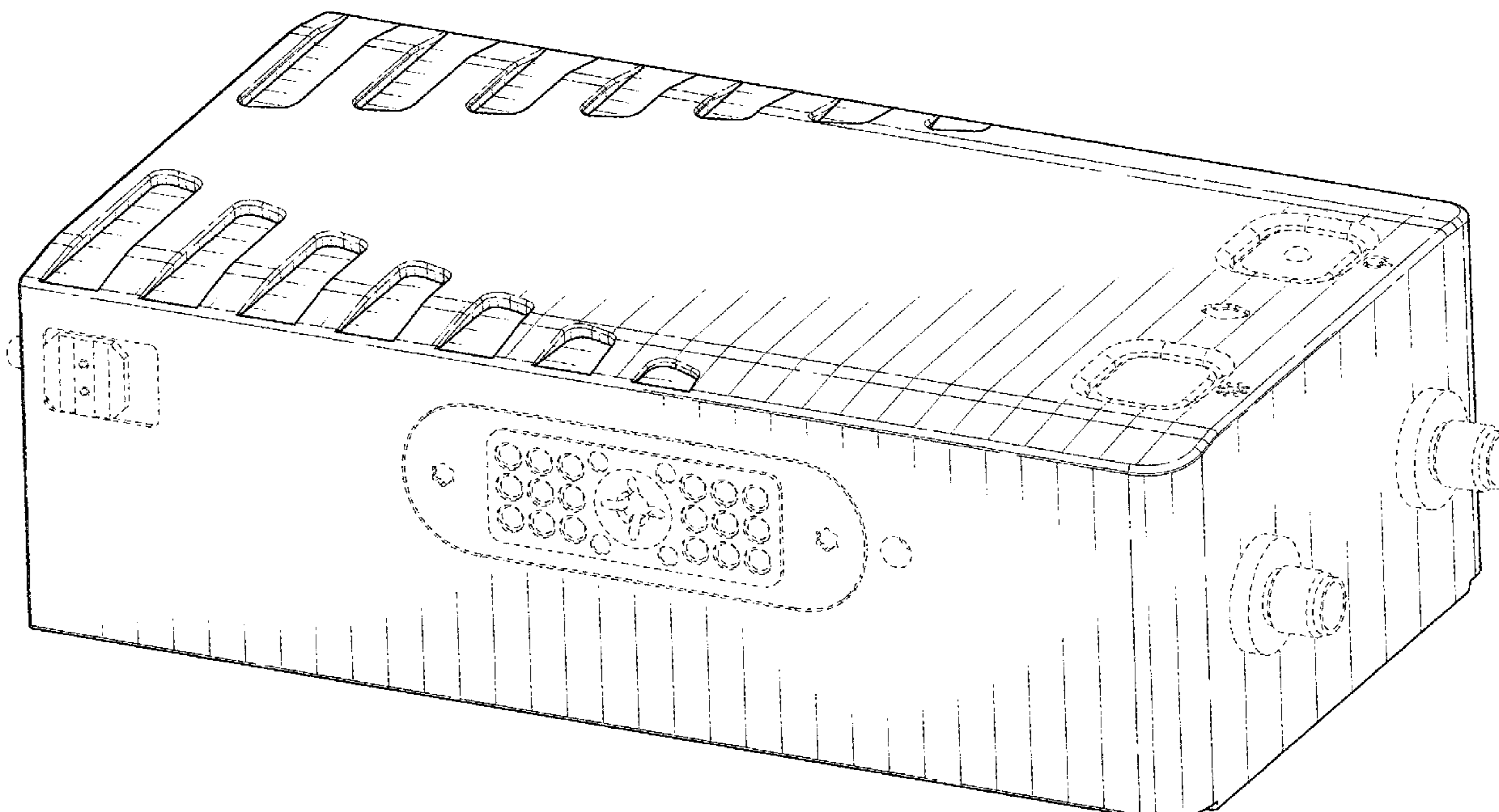
FIG. 1 is a perspective view of the combat radio;  
FIG. 2 is a right side elevation of the combat radio shown in FIG. 1;  
FIG. 3 is a left side elevation of the combat radio shown in FIG. 1;  
FIG. 4 is a bottom plan view of the combat radio shown in FIG. 1;  
FIG. 5 is a top plan view of the combat radio shown in FIG. 1;  
FIG. 6 is a front elevation of the combat radio shown in FIG. 1; and,  
FIG. 7 is a rear elevation view of the combat radio shown in FIG. 1.  
The broken lines shown in the figures illustrate features of the combat radio that form no part of the claimed design.

(56) **References Cited**

**U.S. PATENT DOCUMENTS**

D284,191 S \* 6/1986 Kong-Yiu ..... D14/198  
D437,313 S \* 2/2001 Chen ..... D13/152

**1 Claim, 5 Drawing Sheets**



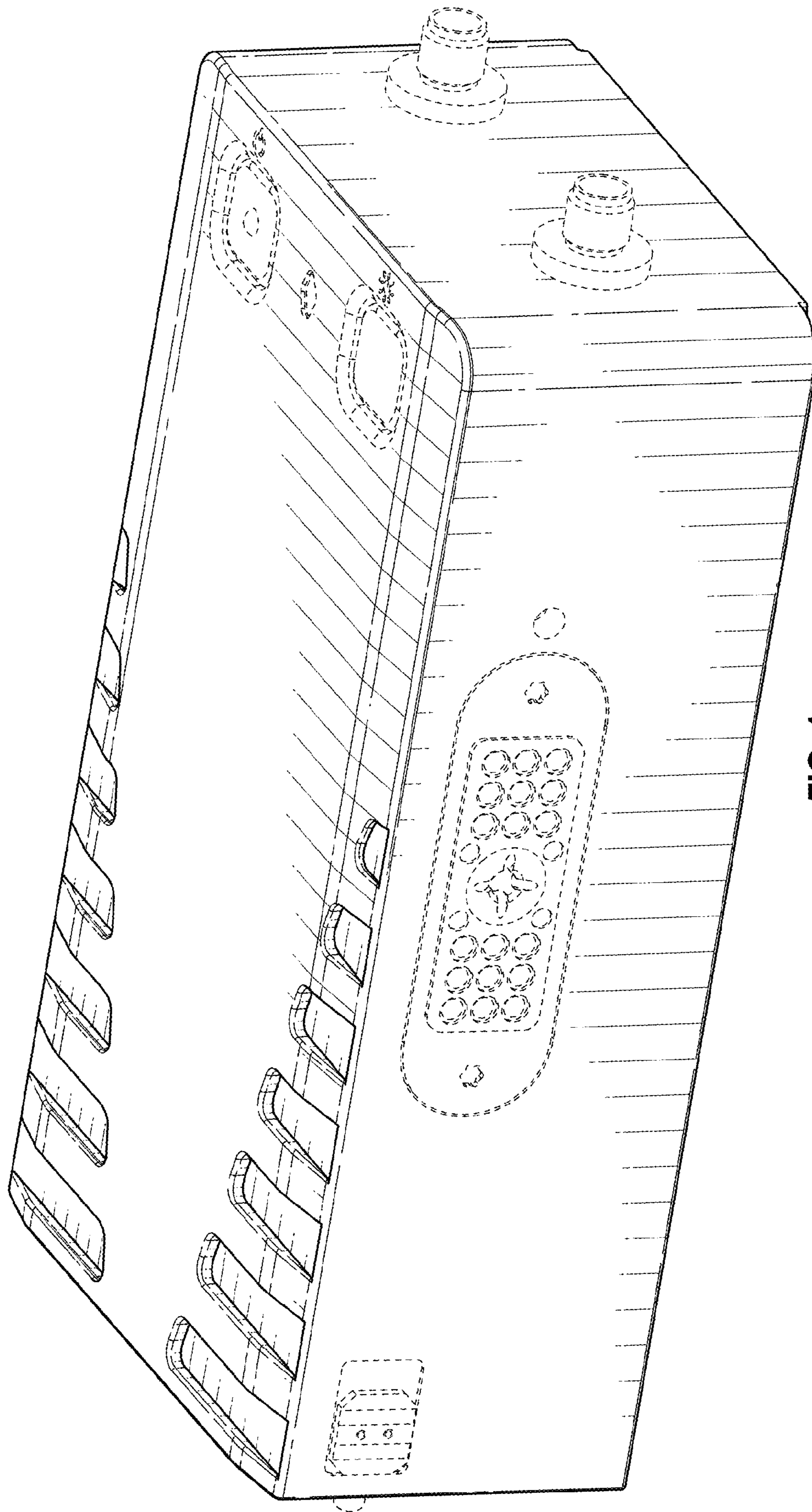


FIG. 1

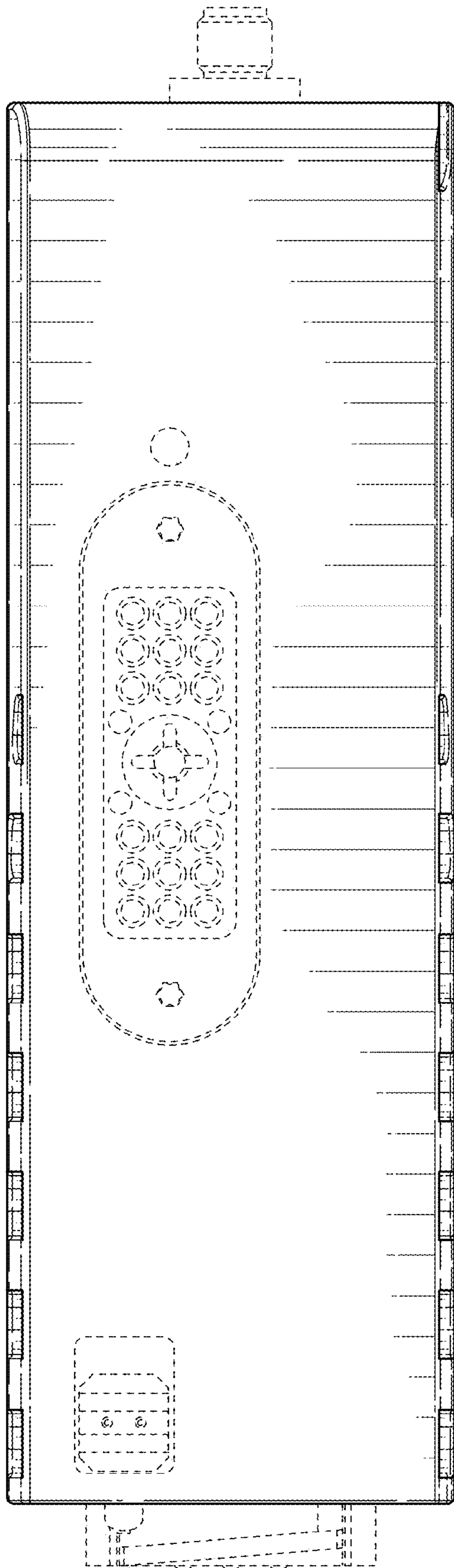


FIG. 2

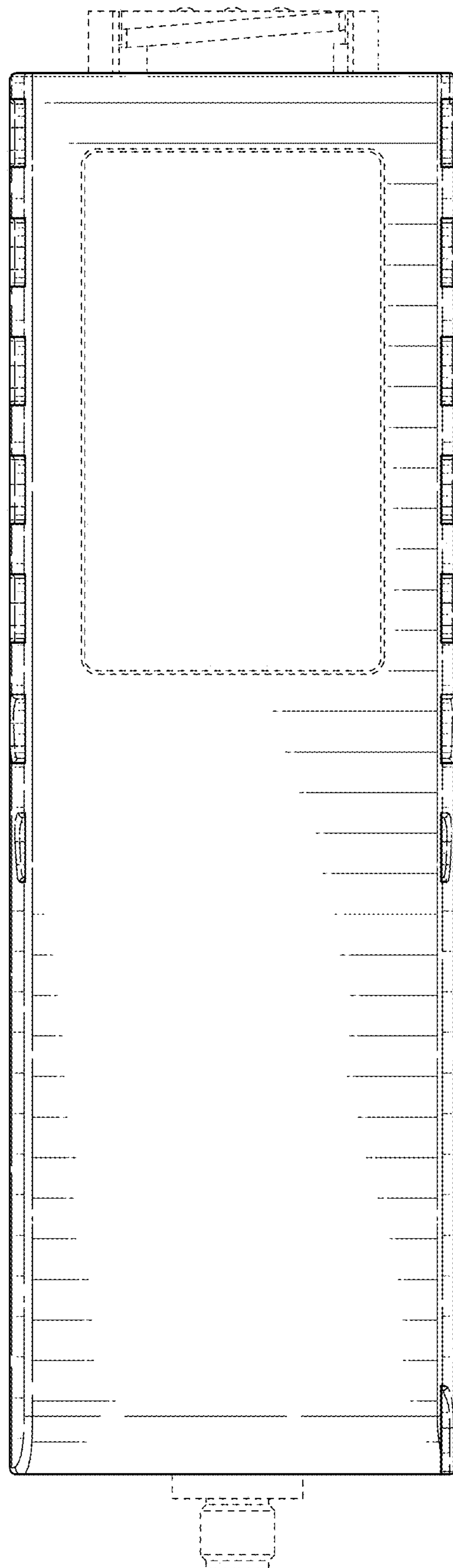


FIG. 3

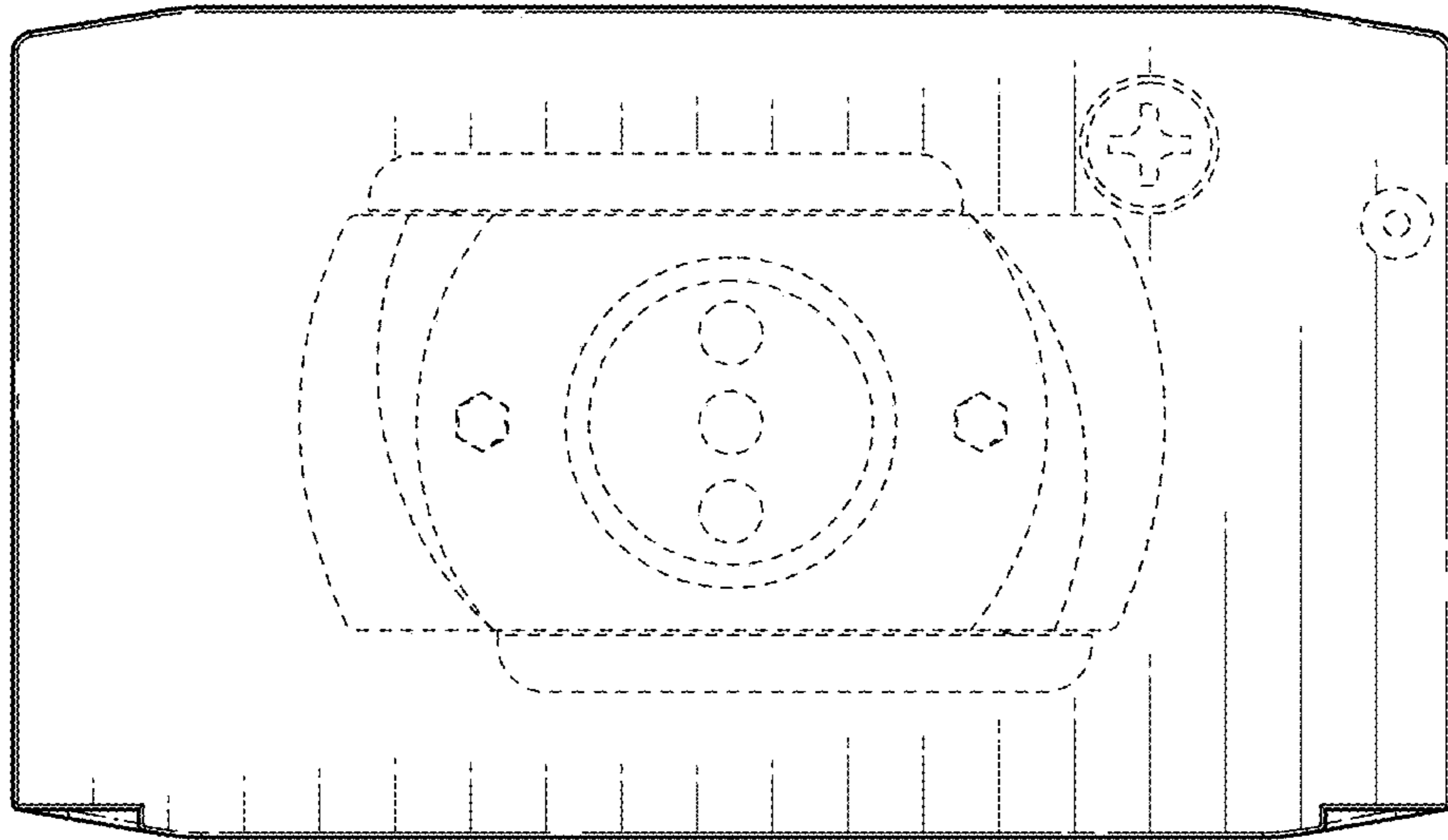


FIG. 4

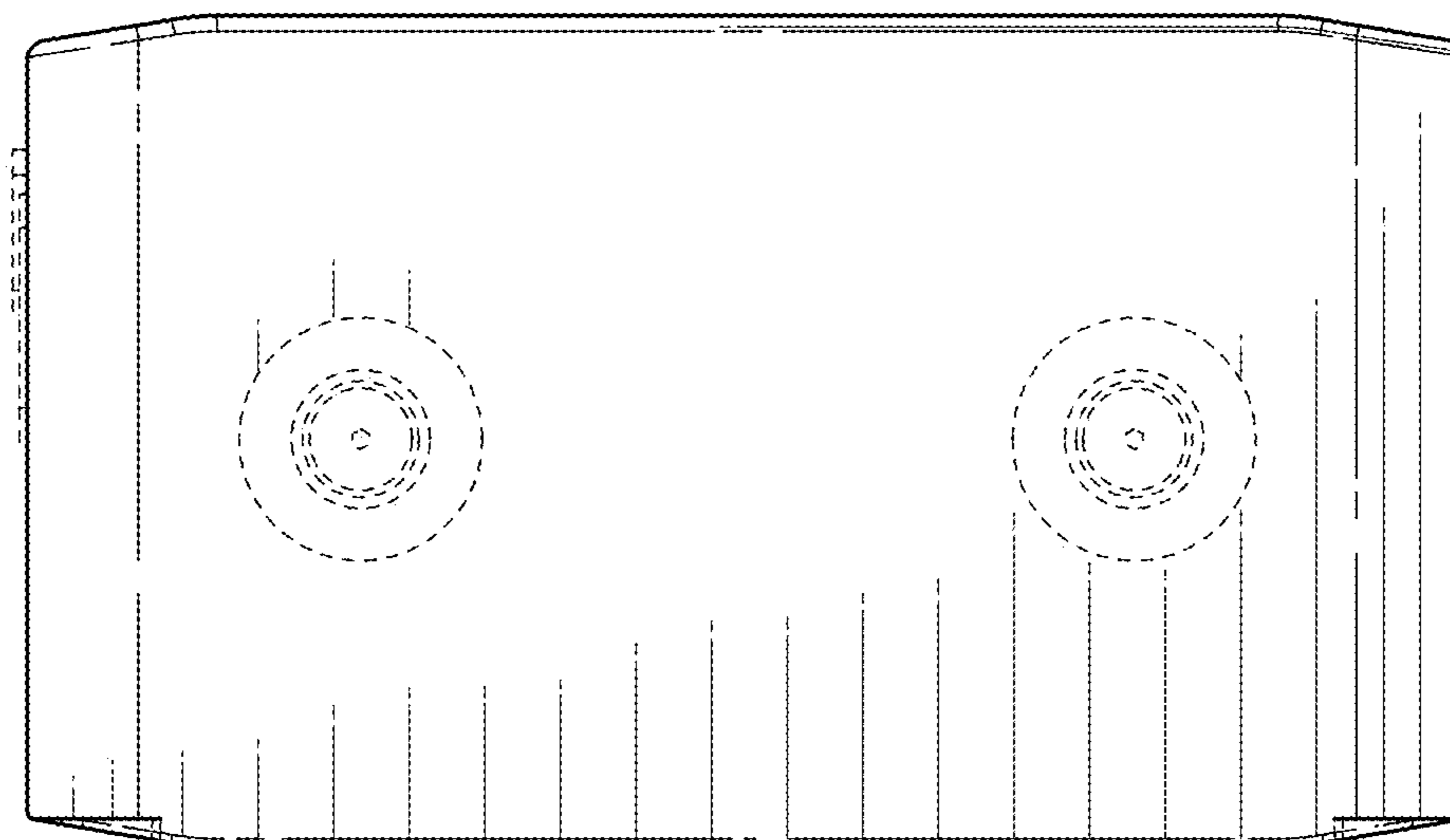


FIG. 5

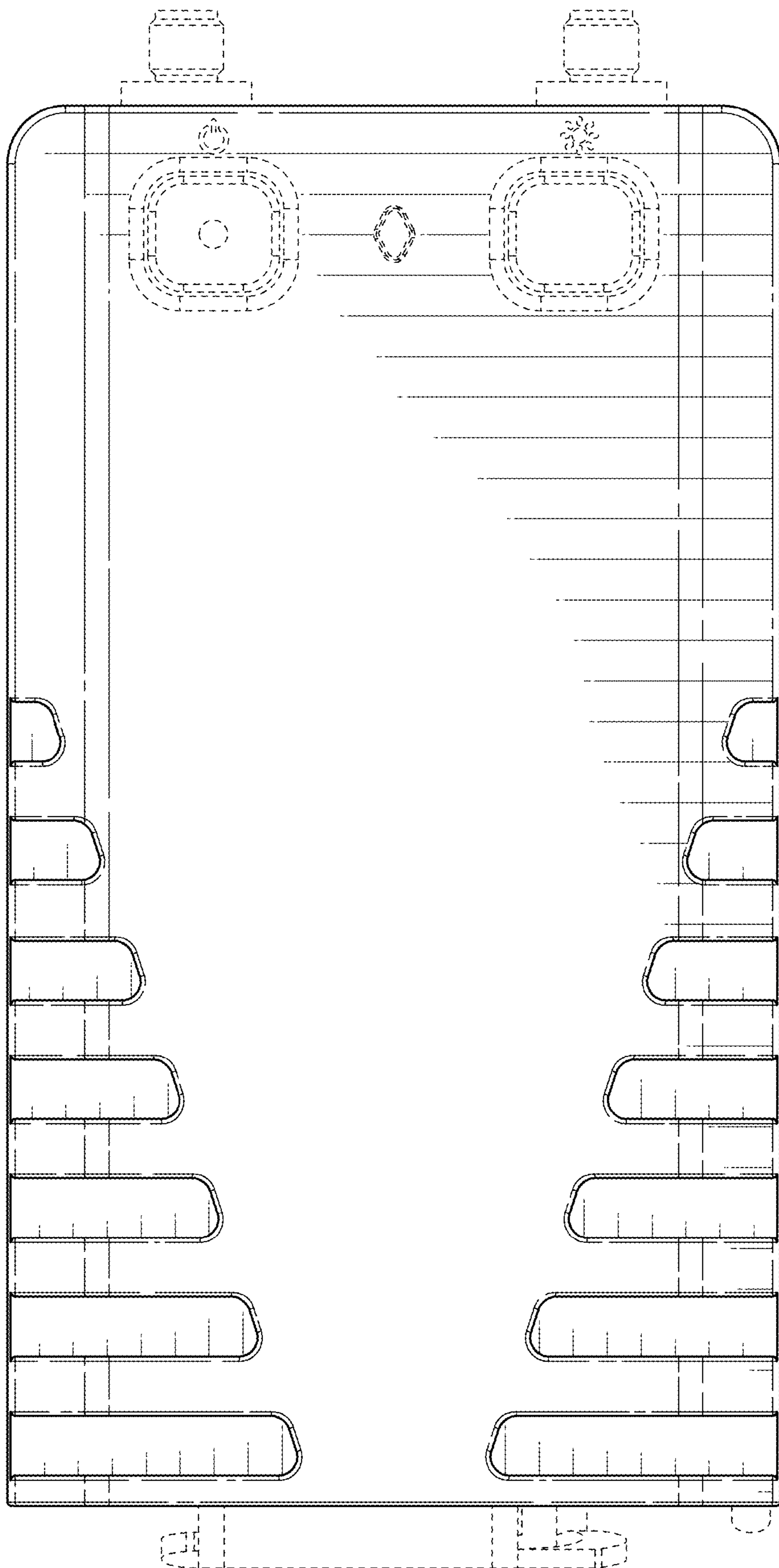


FIG. 6

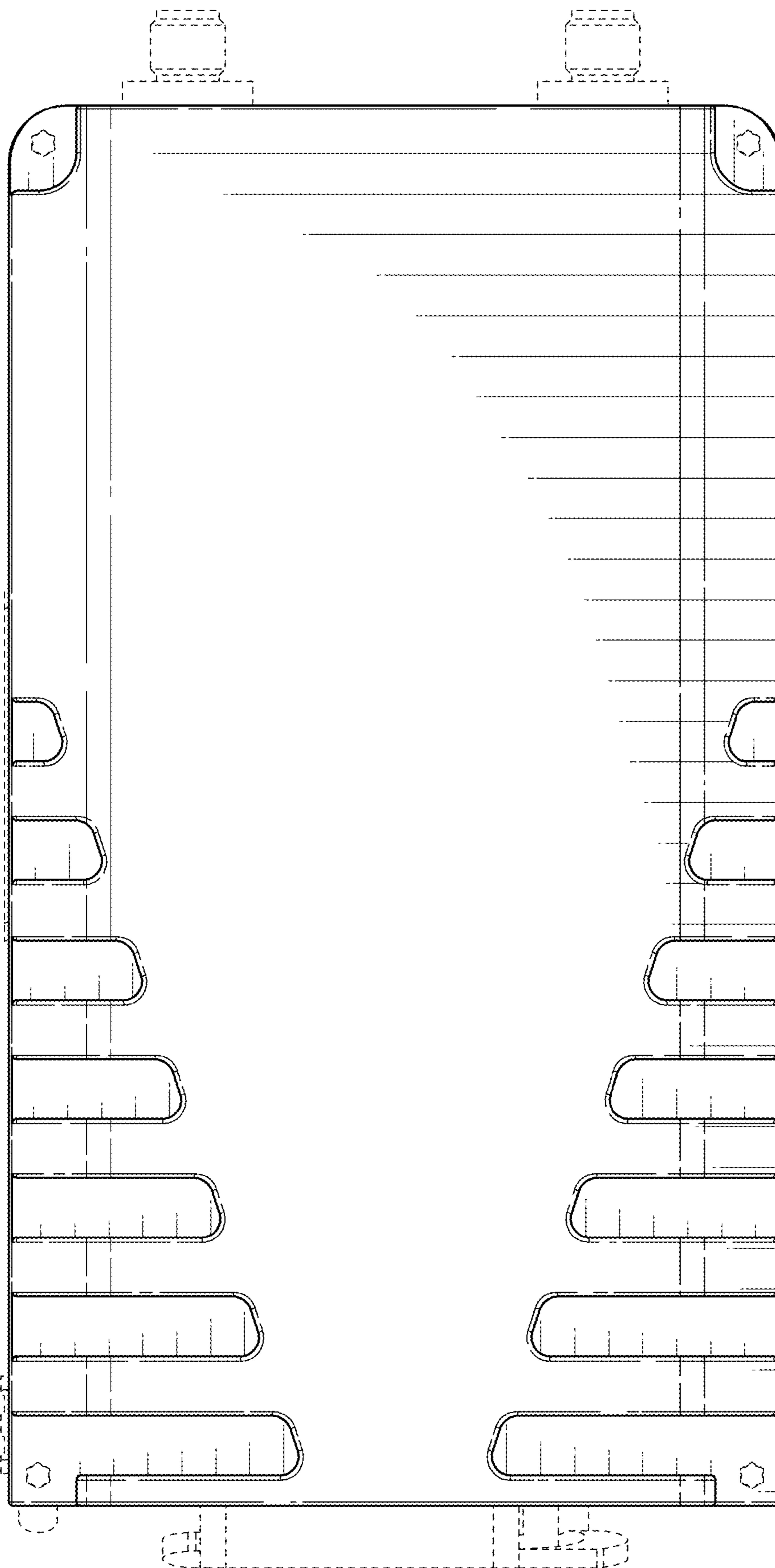


FIG. 7