



US00D928102S

(12) **United States Design Patent** (10) **Patent No.:** **US D928,102 S**
Lu (45) **Date of Patent:** **** Aug. 17, 2021**

(54) **FOOT SWITCH**

(71) Applicant: **SHENZHEN XPADSP TECHNOLOGY CO., LTD**, Shenzhen (CN)

(72) Inventor: **Qing Lu**, Shenzhen (CN)

(**) Term: **15 Years**

(21) Appl. No.: **29/764,389**

(22) Filed: **Dec. 30, 2020**

(51) **LOC (13) Cl.** **13-03**

(52) **U.S. Cl.**
USPC **D13/167**

(58) **Field of Classification Search**
USPC D13/167; D15/72; D17/20, 99; D24/158, 179; D14/419
CPC G10H 1/0008; G10H 1/0556; G10H 1/32; G10H 1/34; G10H 1/344; G10H 1/46; G10H 1/146; G10H 1/348; H01H 21/26; H01H 13/14; H01H 13/16; A61B 2017/00973; G06F 3/0334
See application file for complete search history.

(56) **References Cited**

U.S. PATENT DOCUMENTS

D148,485 S *	1/1948	Rowe	D13/167
4,006,441 A *	2/1977	Goodrich	H01C 10/14 338/153
4,322,711 A *	3/1982	Spangler	G05G 1/38 338/153
D339,612 S *	9/1993	Carter	D14/419
D362,278 S *	9/1995	Hayes	D14/419
5,551,701 A *	9/1996	Bouton	A63F 13/06 463/36
5,552,807 A *	9/1996	Hayes	A63F 13/06 345/156
D398,290 S *	9/1998	McClintock	D13/167
6,260,434 B1 *	7/2001	Holtorf	G05G 1/30 74/478
D517,499 S *	3/2006	Pollard	D13/167
D517,502 S *	3/2006	Ogawa	D13/167
D540,227 S *	4/2007	Doucet	D12/174

D563,905 S	3/2008	Pollard	
D599,746 S *	9/2009	Long D13/167
D817,960 S *	5/2018	Wolberg D14/419
D860,955 S	9/2019	Oberlaender et al.	
D867,307 S	11/2019	Braaten et al.	
2005/0109595 A1 *	5/2005	Mezhinsky A61B 17/00 200/86.5
2008/0229914 A1 *	9/2008	Nathanial G10H 1/348 84/644

(Continued)

FOREIGN PATENT DOCUMENTS

EM00000008318539-0001 * 12/2020

OTHER PUBLICATIONS

Pedal Switch, Momentary Foot Pedal Switch, Nov. 17, 2018; 2 pgs.; <https://www.amazon.com/Momentary-Operated-Controller-Industrial-Anti-Skid/dp/B07KN6GLYD/ref=ascdfB07KN6GLYD/?tag=hyprod-20&linkCode=df0&hvadid=309735769572&hvpos=&hvnetw=g&hvrnd=6669872235609670921&hvpone=&hvpone=&hvptwo=&hvqmt=&hvdev=c&hvdvcmdl=&hvlocint=&hv.>

Primary Examiner — Selina Sikder

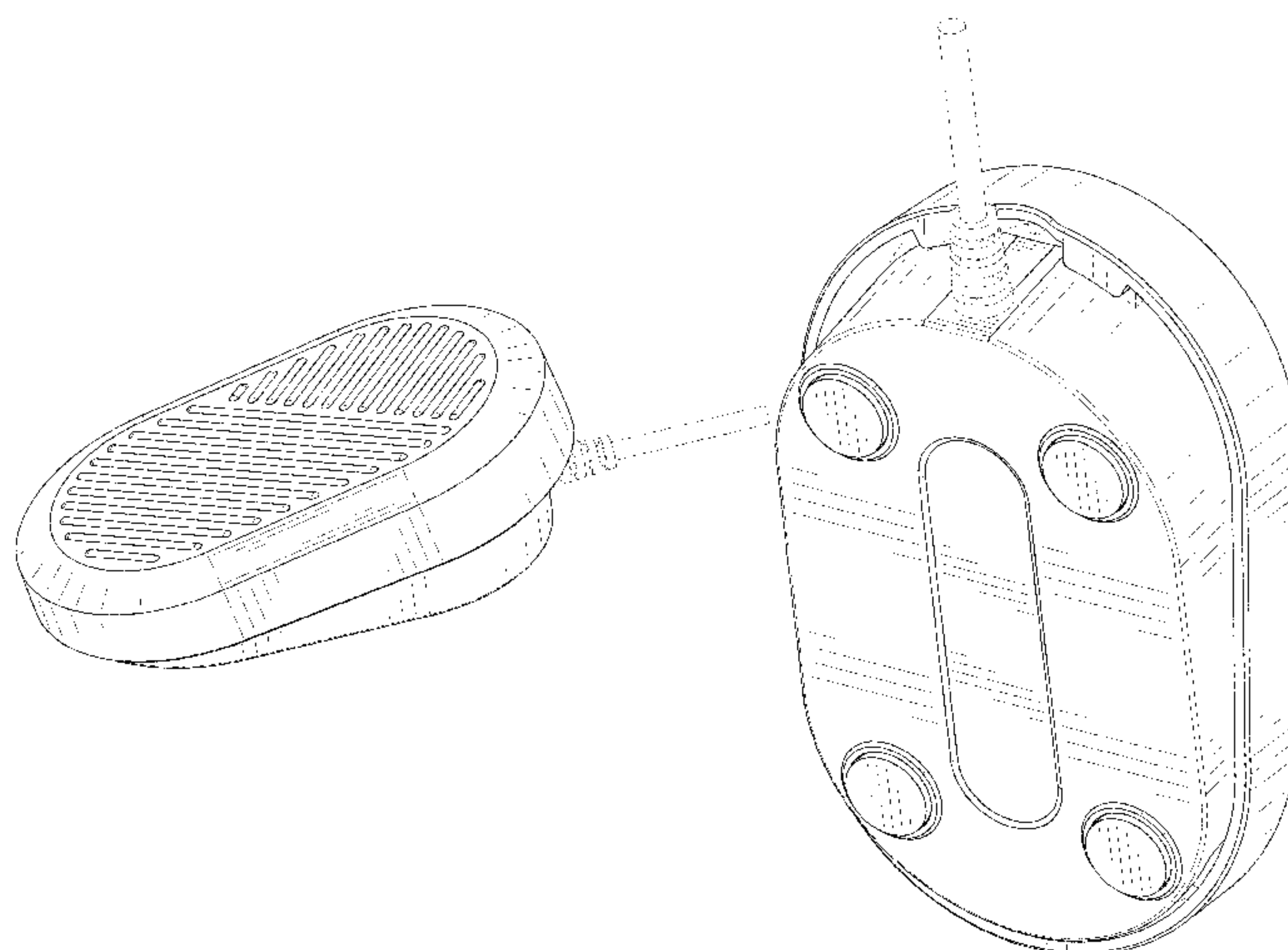
(57) **CLAIM**

The ornamental design for a foot switch, as shown and described.

DESCRIPTION

FIG. 1 is a first perspective view of a foot switch showing my new design;
FIG. 2 is a second perspective view thereof;
FIG. 3 is a front view thereof;
FIG. 4 is a back view thereof;
FIG. 5 is a left side view thereof;
FIG. 6 is a right side view thereof;
FIG. 7 is a top view thereof; and,
FIG. 8 is a bottom view thereof.
The broken lines, shown in the drawings depict portions of the foot switch in which the design is embodied that form no part of the claimed design.

1 Claim, 8 Drawing Sheets



(56)

References Cited

U.S. PATENT DOCUMENTS

2009/0316193 A1* 12/2009 Kohara H04N 1/0035
358/1.15
2010/0268205 A1* 10/2010 Manwaring A61B 18/1492
606/29
2014/0290469 A1* 10/2014 Michaud G10H 1/348
84/741
2015/0090096 A1* 4/2015 Krumwiede G10D 1/08
84/317
2015/0272596 A1* 10/2015 Vij A61B 5/055
600/417
2016/0328028 A1* 11/2016 Khojasteh A63F 13/00
2018/0220877 A1* 8/2018 Mason A61B 1/015
2019/0029755 A1* 1/2019 Kubota A61N 5/0601
2019/0391651 A1* 12/2019 Chowdhury G06F 3/014
2020/0214737 A1* 7/2020 Ian A61B 10/0275

* cited by examiner

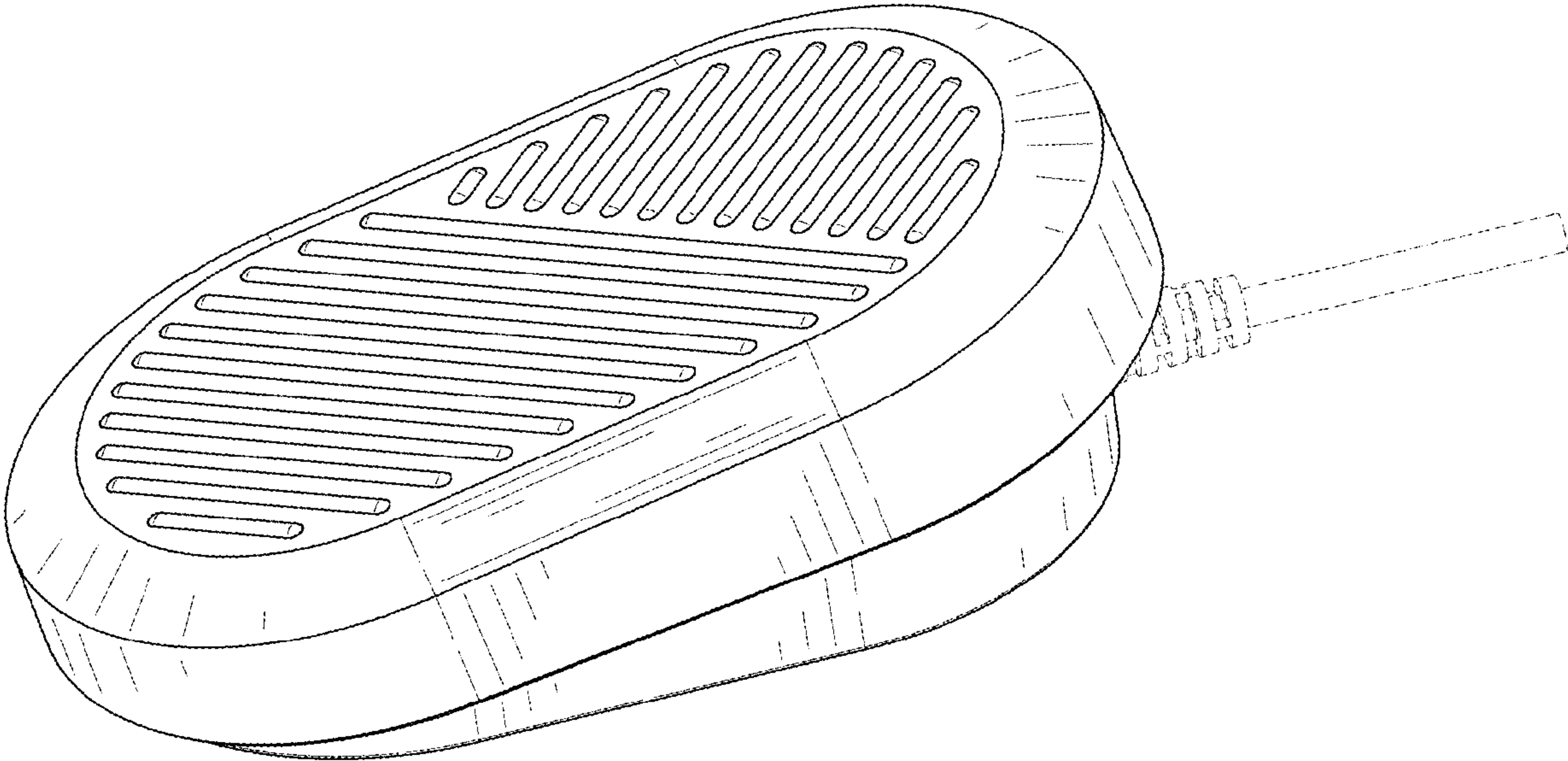


FIG. 1

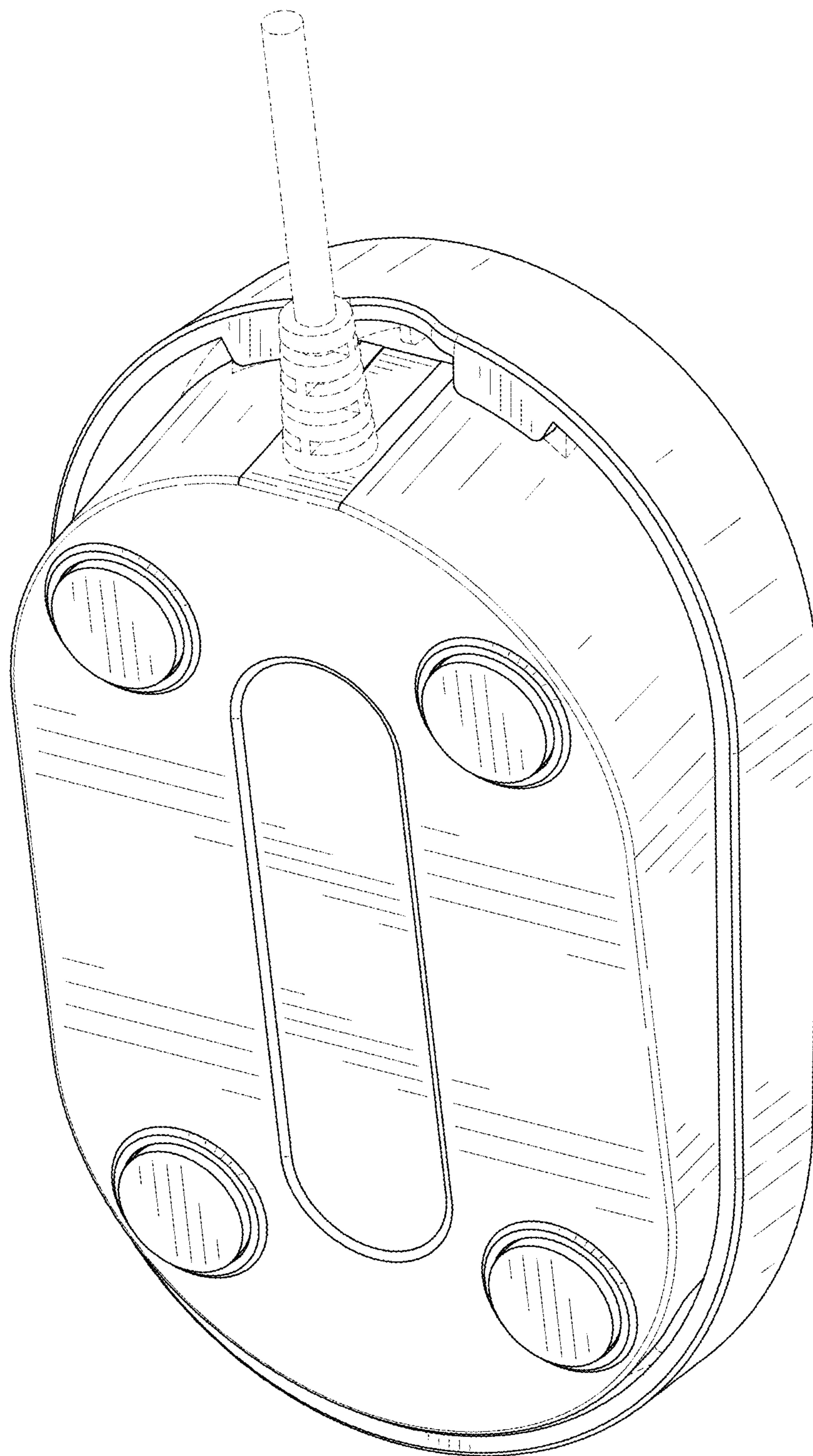


FIG. 2

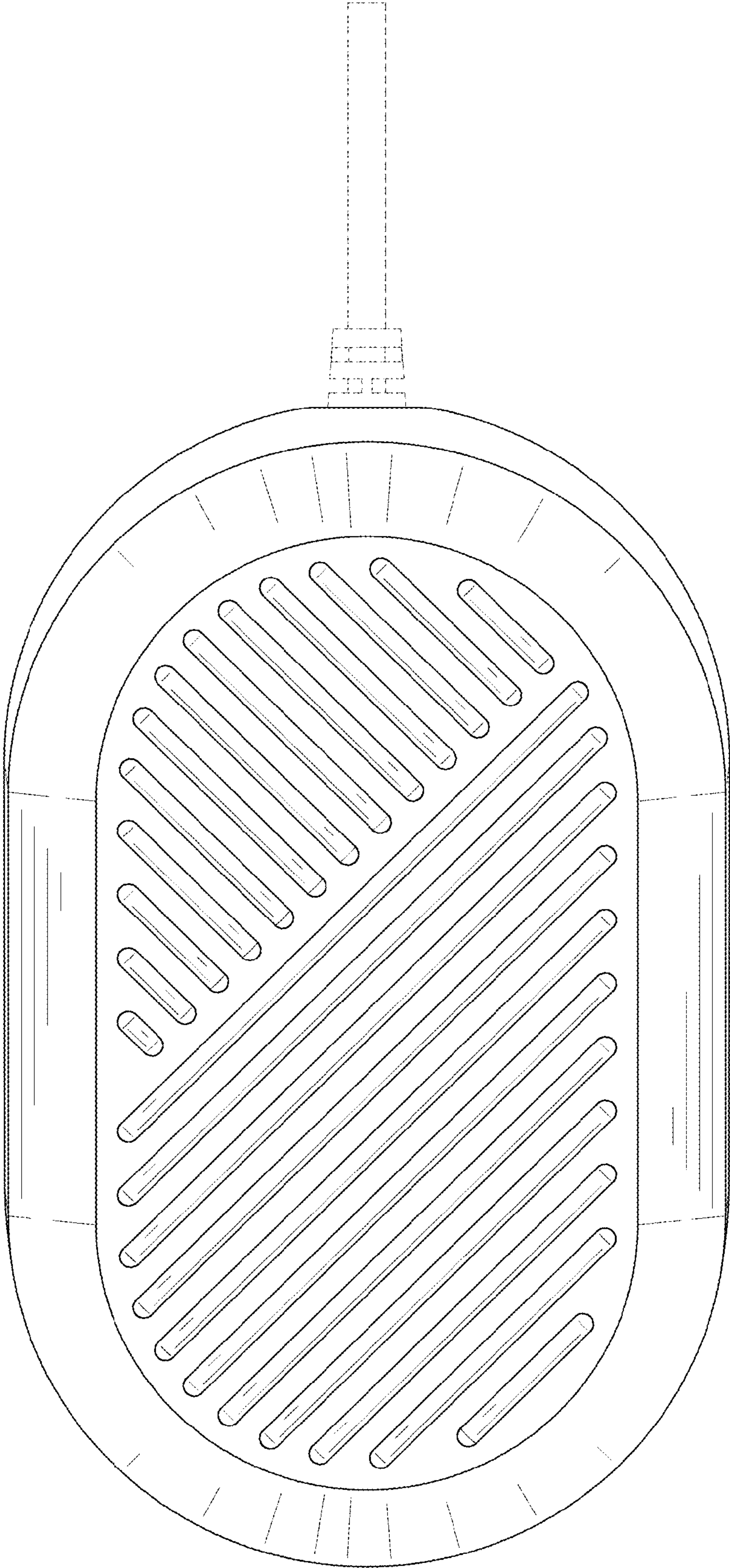


FIG. 3

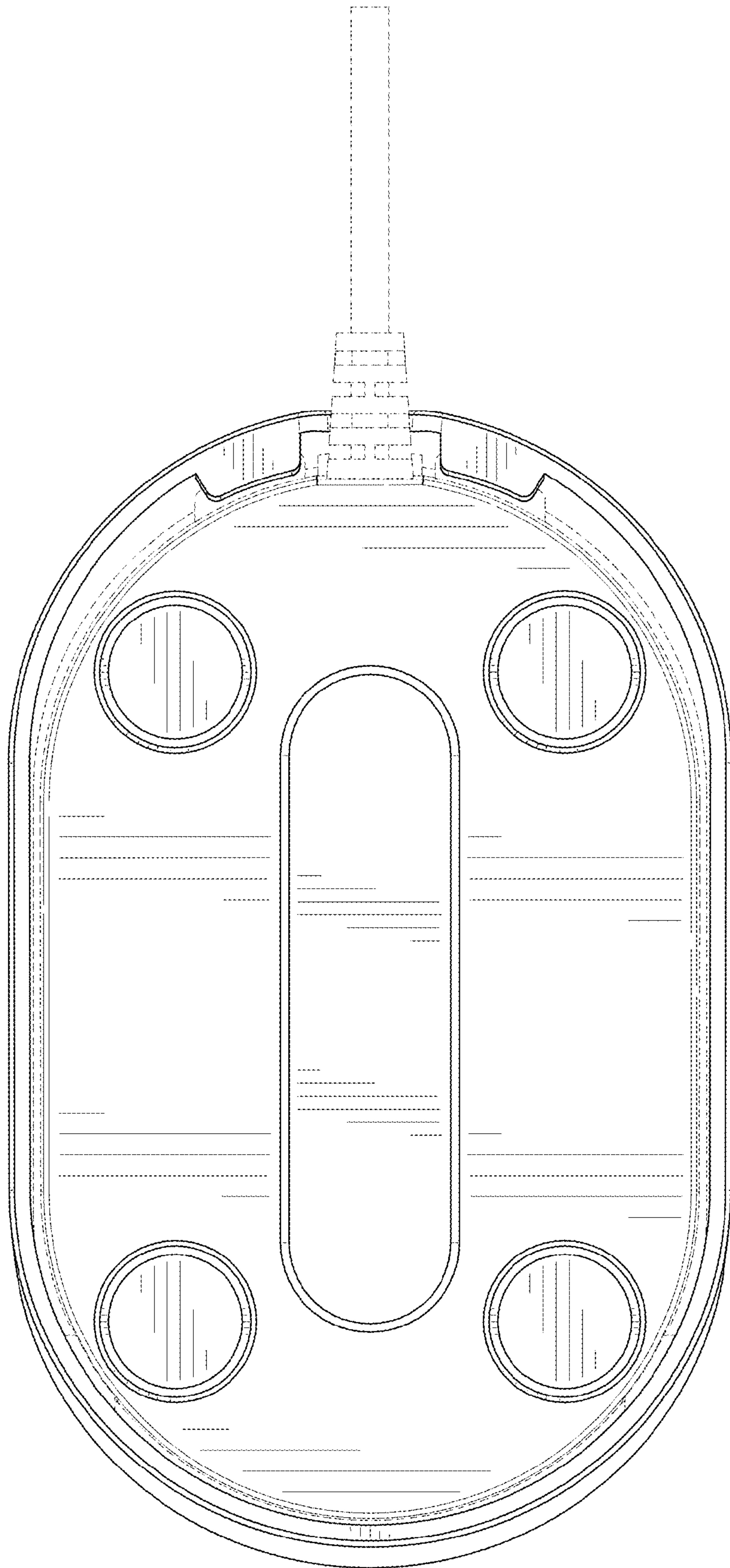


FIG. 4

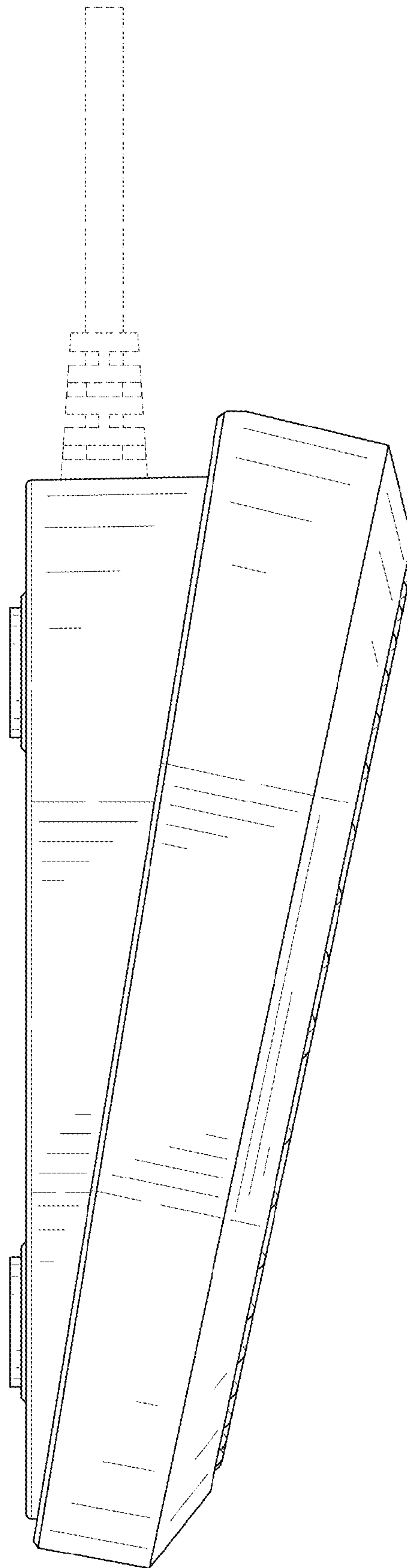


FIG. 5

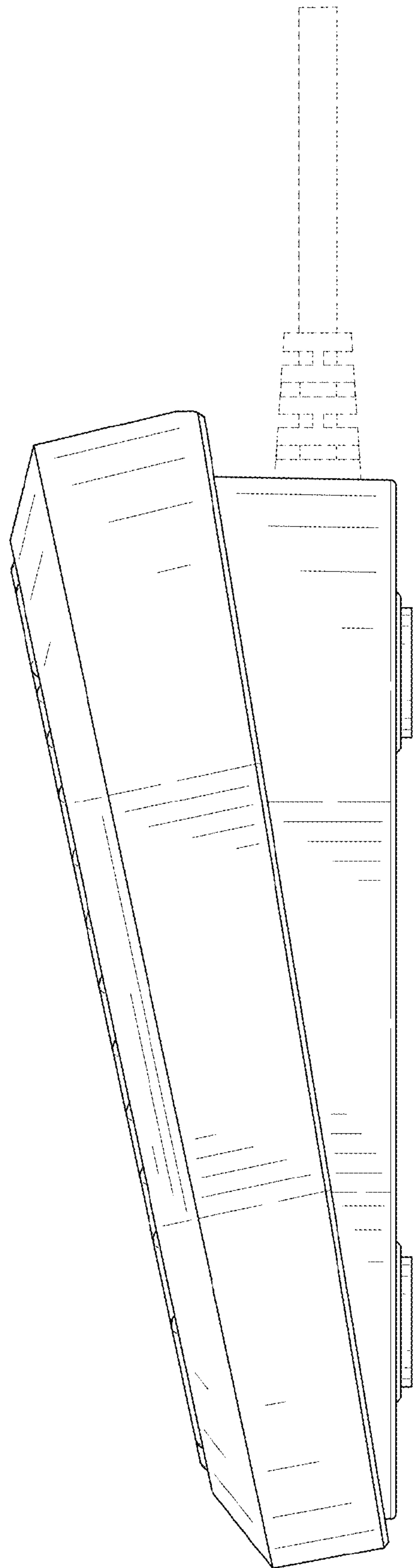


FIG. 6

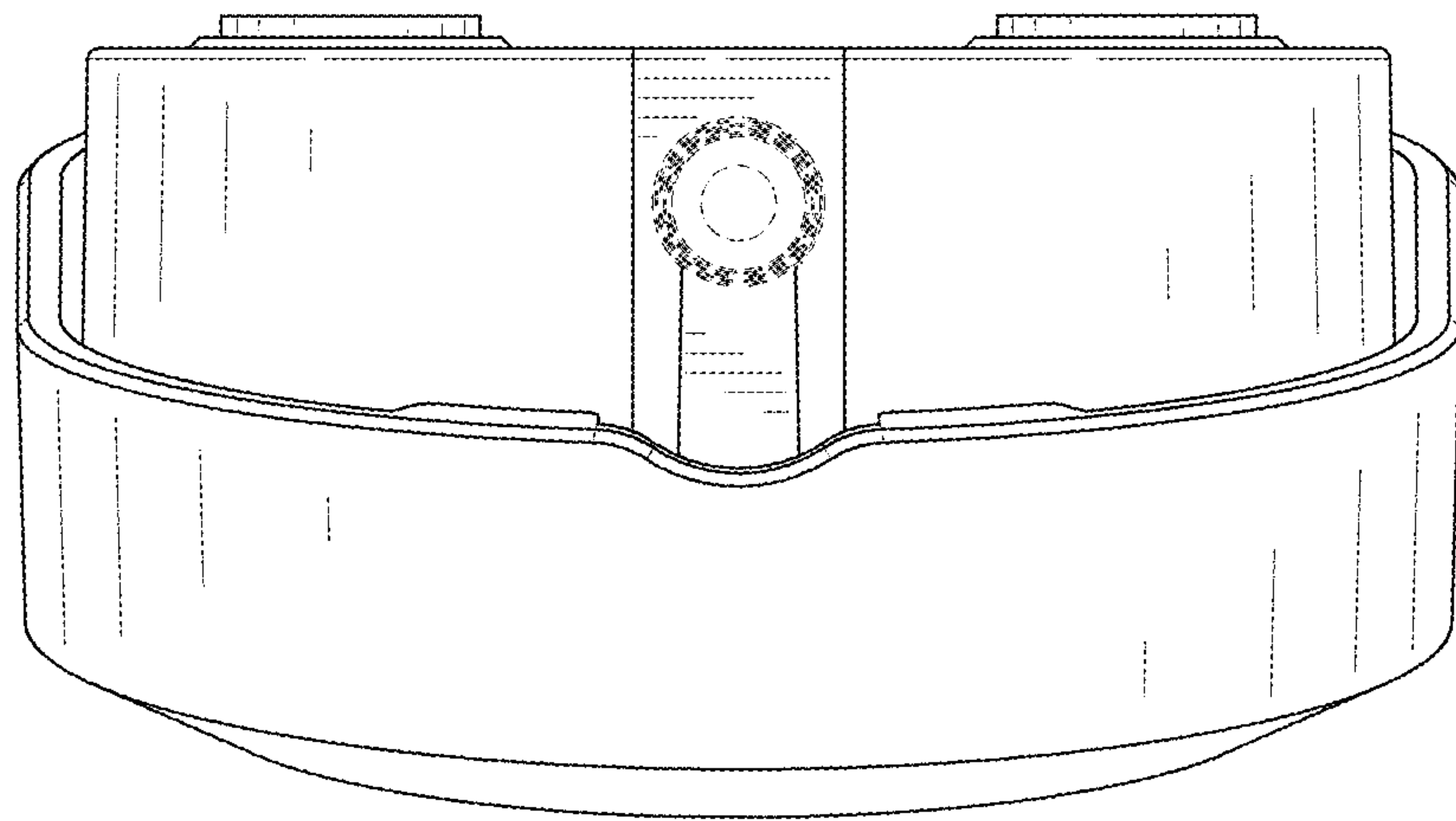


FIG. 7

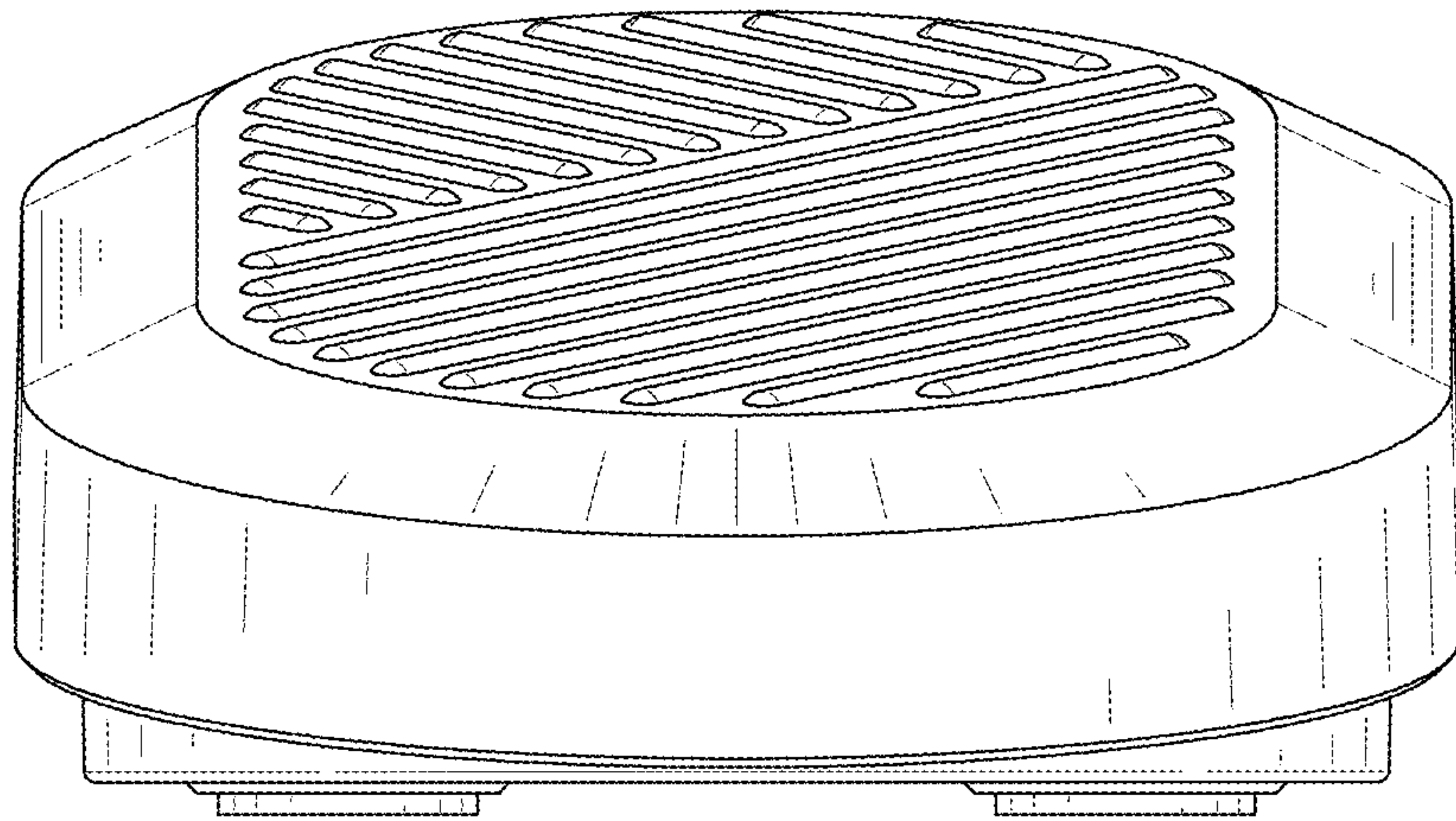


FIG. 8