



US00D928100S

(12) **United States Design Patent**
Obata et al.

(10) **Patent No.:** **US D928,100 S**

(45) **Date of Patent:** **** Aug. 17, 2021**

(54) **CONNECTOR**

(71) Applicant: **Japan Aviation Electronics Industry, Limited, Tokyo (JP)**

(72) Inventors: **Yusuke Obata, Tokyo (JP); Hiroaki Obikane, Tokyo (JP)**

(73) Assignee: **JAPAN AVIATION ELECTRONICS INDUSTRY, LIMITED, Tokyo (JP)**

(**) Term: **15 Years**

(21) Appl. No.: **29/720,387**

(22) Filed: **Jan. 13, 2020**

(30) **Foreign Application Priority Data**

Jul. 29, 2019 (JP) 2019-016835

(51) **LOC (13) Cl.** **13-03**

(52) **U.S. Cl.**
USPC **D13/147**

(58) **Field of Classification Search**
USPC D13/103, 107, 108, 110, 112, 118, 120, D13/123, 133, 137.1, 138.1, 139.1, D13/145-147, 149-156, 158, 173, 177, D13/184, 199; D14/240, 242, 256, 432, D14/433, 434, 435.1, 438, 439, D14/480.1-480.7, 484.1; D24/129
See application file for complete search history.

(56) **References Cited**

U.S. PATENT DOCUMENTS

D489,687 S *	5/2004	Kawase	D13/147
D491,528 S *	6/2004	Fan	D13/147
D500,740 S *	1/2005	Fan	D13/147
D505,919 S *	6/2005	Moritake	D13/147
D508,023 S *	8/2005	Obikane	D13/147
D513,494 S *	1/2006	Huang	D13/147

D601,506 S *	10/2009	Fukazawa	D13/147
7,887,350 B2 *	2/2011	Fukazawa	H01R 12/707 439/247
D703,615 S *	4/2014	Takenaga	D13/147
9,048,601 B2 *	6/2015	Kimura	H01R 24/60
9,270,045 B2 *	2/2016	Kimura	H01R 13/41
D827,581 S *	9/2018	Ho	D13/147
10,283,910 B1 *	5/2019	Chen	H01R 4/04
10,541,486 B2 *	1/2020	Hashiguchi	H01R 12/91
10,673,158 B2 *	6/2020	Aoki	H01R 13/642

(Continued)

Primary Examiner — Brett Miller

Assistant Examiner — Landon Thomas Cassell

(74) *Attorney, Agent, or Firm* — Manabu Kanesaka

(57) **CLAIM**

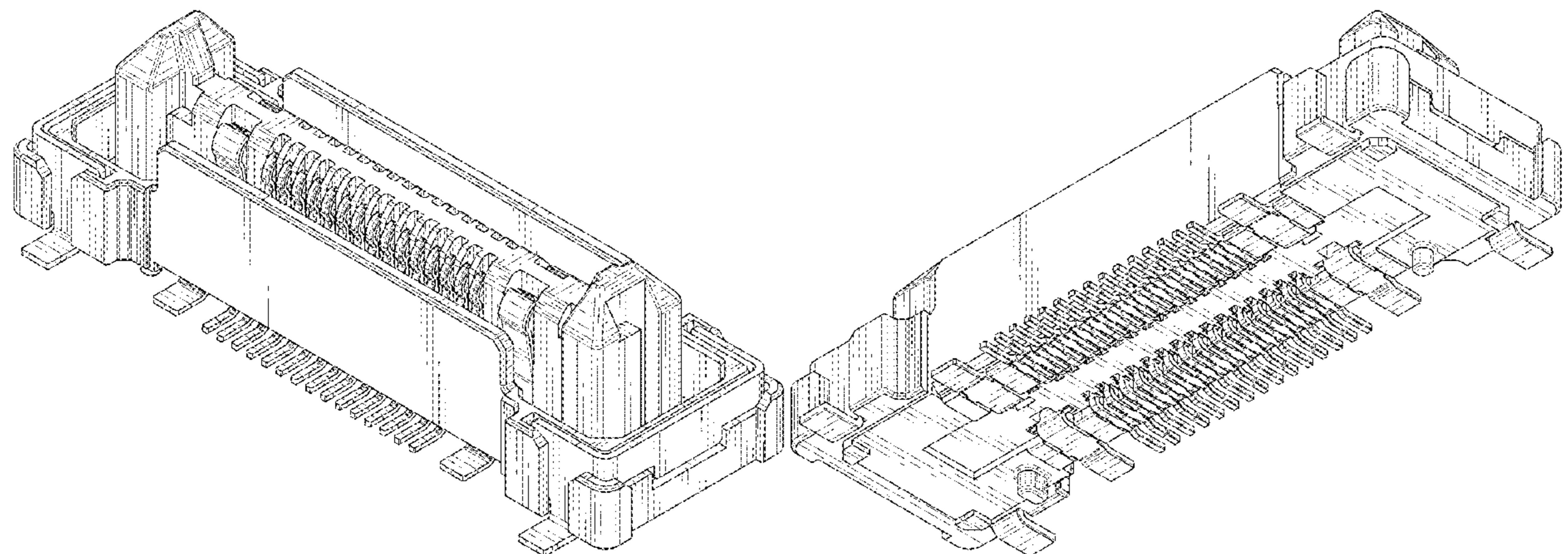
The ornamental design for a connector, as shown and described.

DESCRIPTION

FIG. 1 is a front elevational view of a connector showing our new design;
 FIG. 2 is a rear elevational view thereof;
 FIG. 3 is a right side elevational view thereof;
 FIG. 4 is a left side elevational view thereof;
 FIG. 5 is a top plan view thereof;
 FIG. 6 is a bottom plan view thereof;
 FIG. 7 is a perspective view showing a front, top and right side thereof;
 FIG. 8 is a perspective view showing a rear, bottom and left side thereof;
 FIG. 9 is a perspective view showing a front, right and bottom side thereof; and,
 FIG. 10 is a perspective view showing a rear, left and top side thereof.

The broken line showing of the connector is for the purpose of illustrating portions of the article and forms no part of the claimed design.

1 Claim, 5 Drawing Sheets



(56)

References Cited

U.S. PATENT DOCUMENTS

2009/0239421 A1* 9/2009 Fukazawa H01R 12/91
439/660
2015/0255927 A1* 9/2015 Goh H01R 12/716
439/676
2020/0091654 A1* 3/2020 Miyamoto H01R 13/6275

* cited by examiner

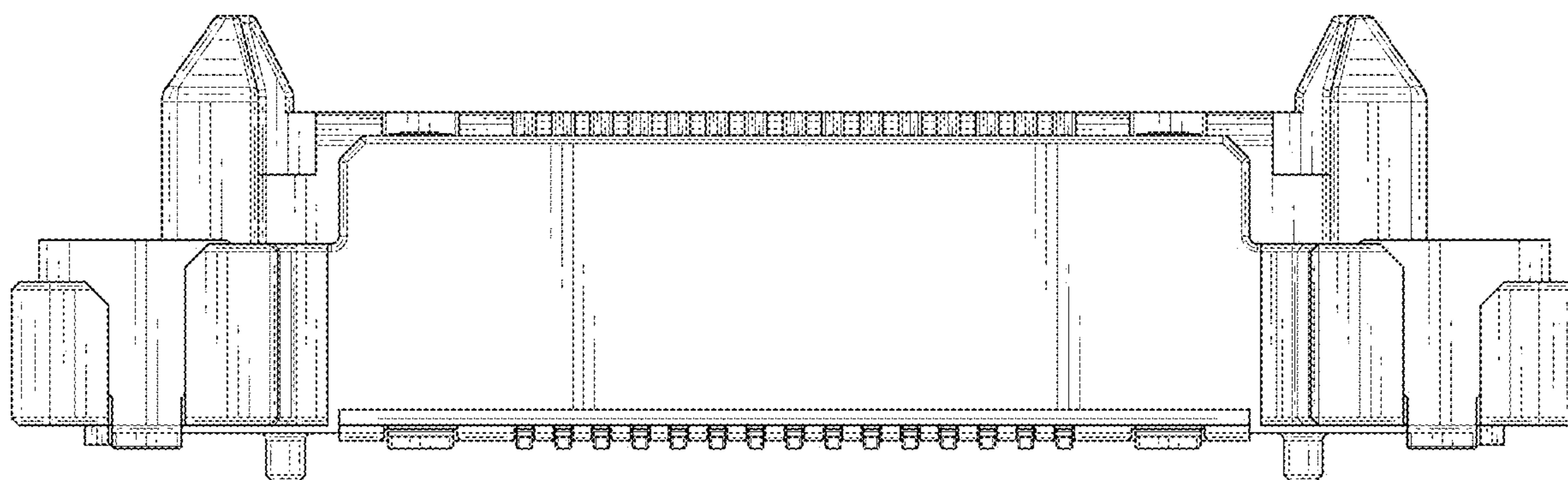


FIG. 1

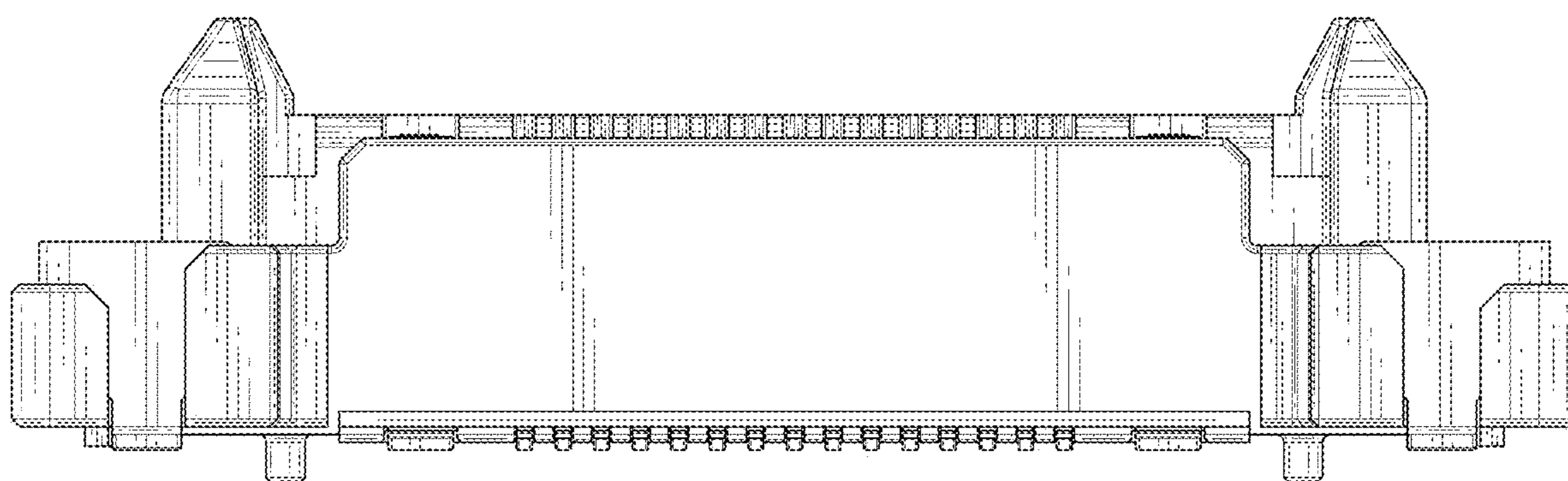


FIG. 2

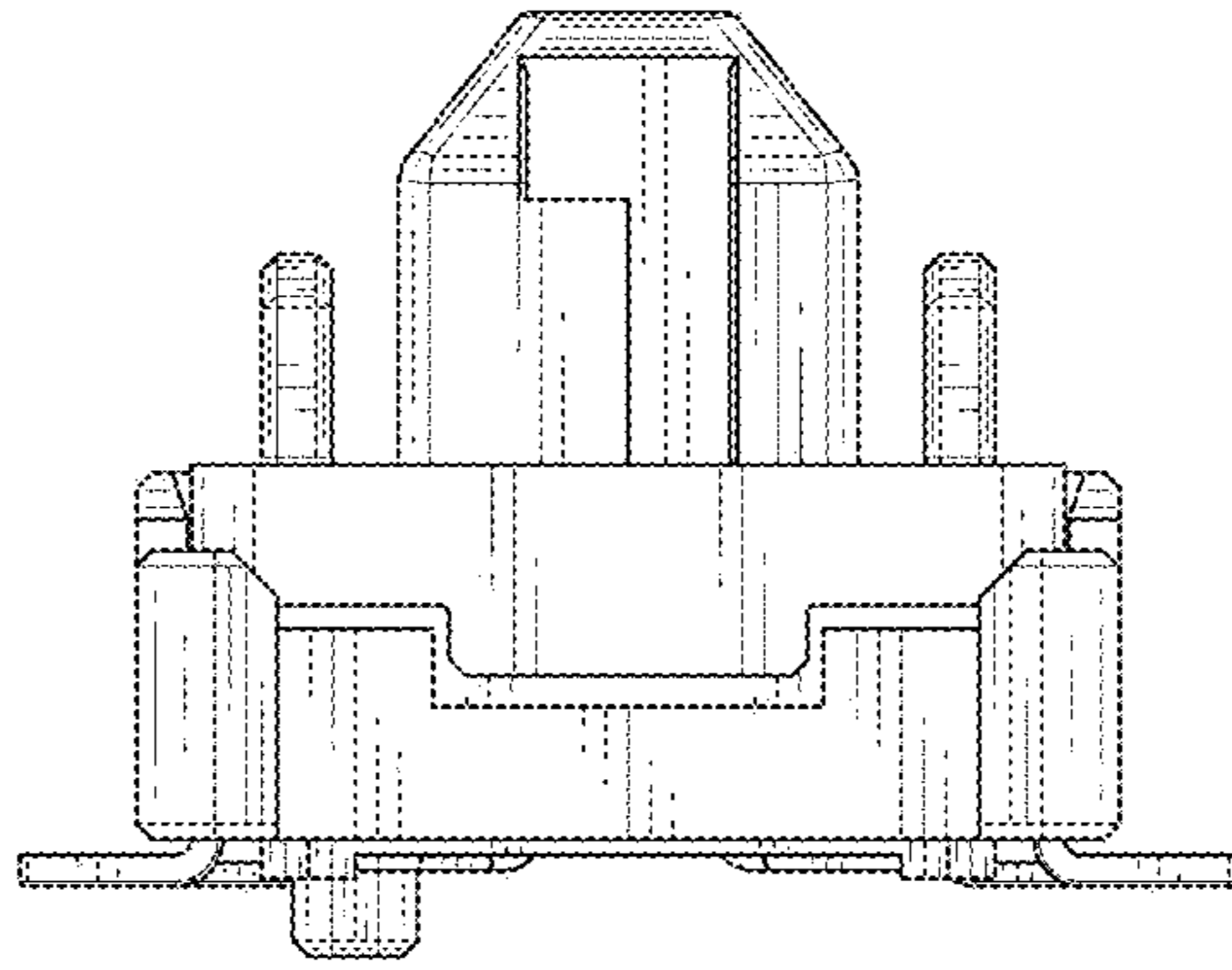


FIG. 3

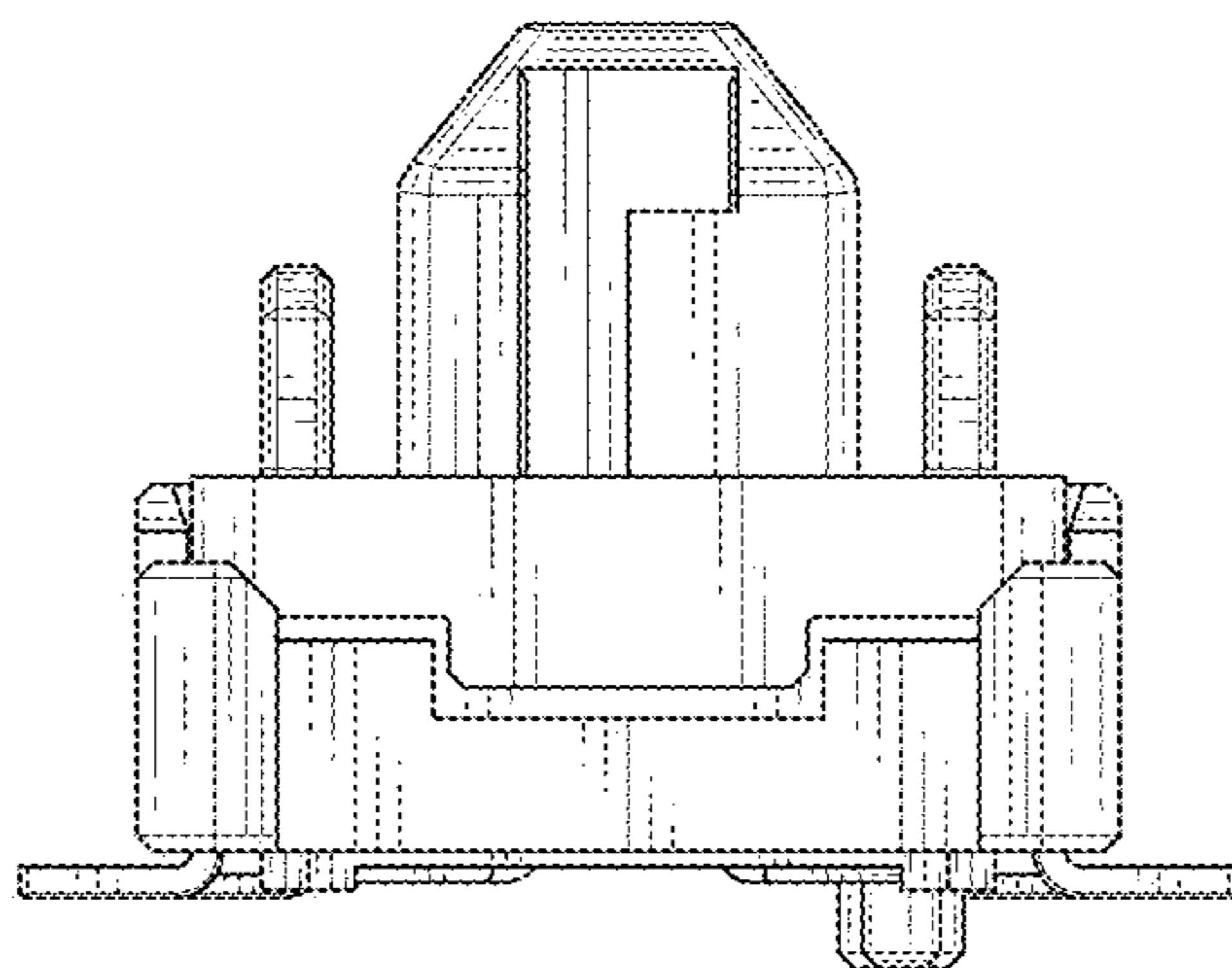


FIG. 4

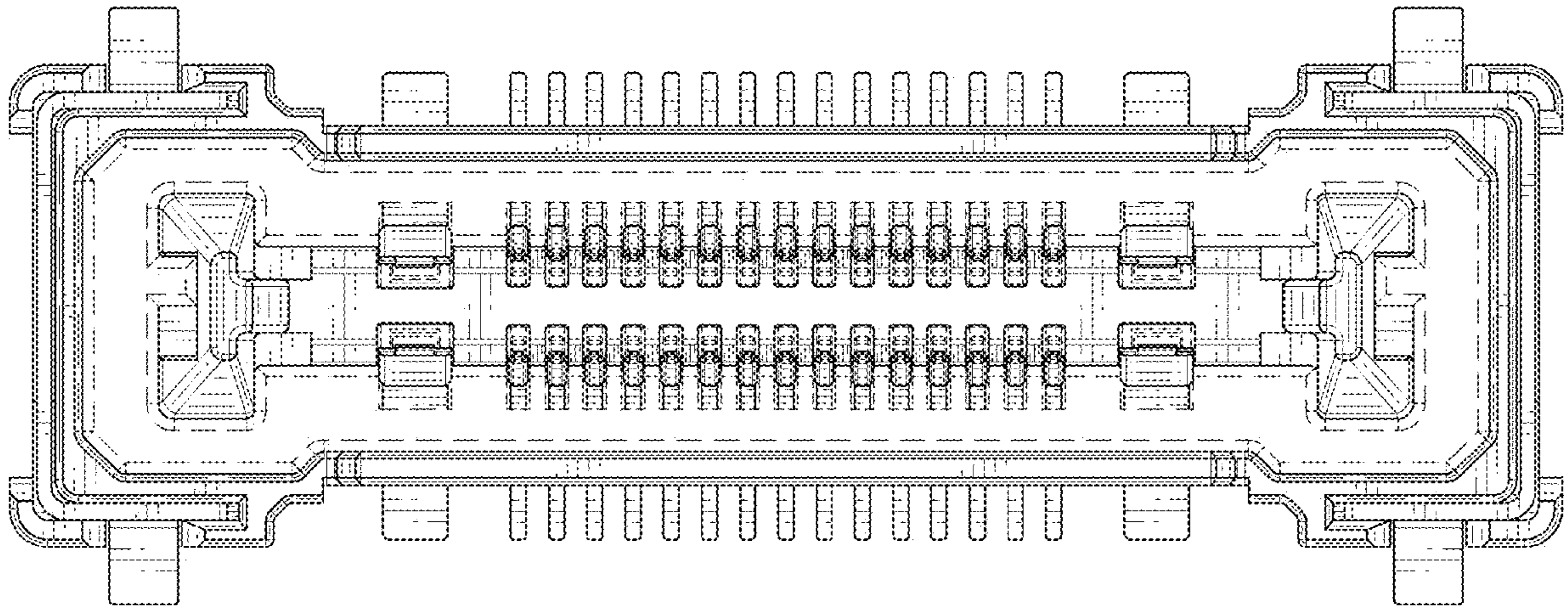


FIG. 5

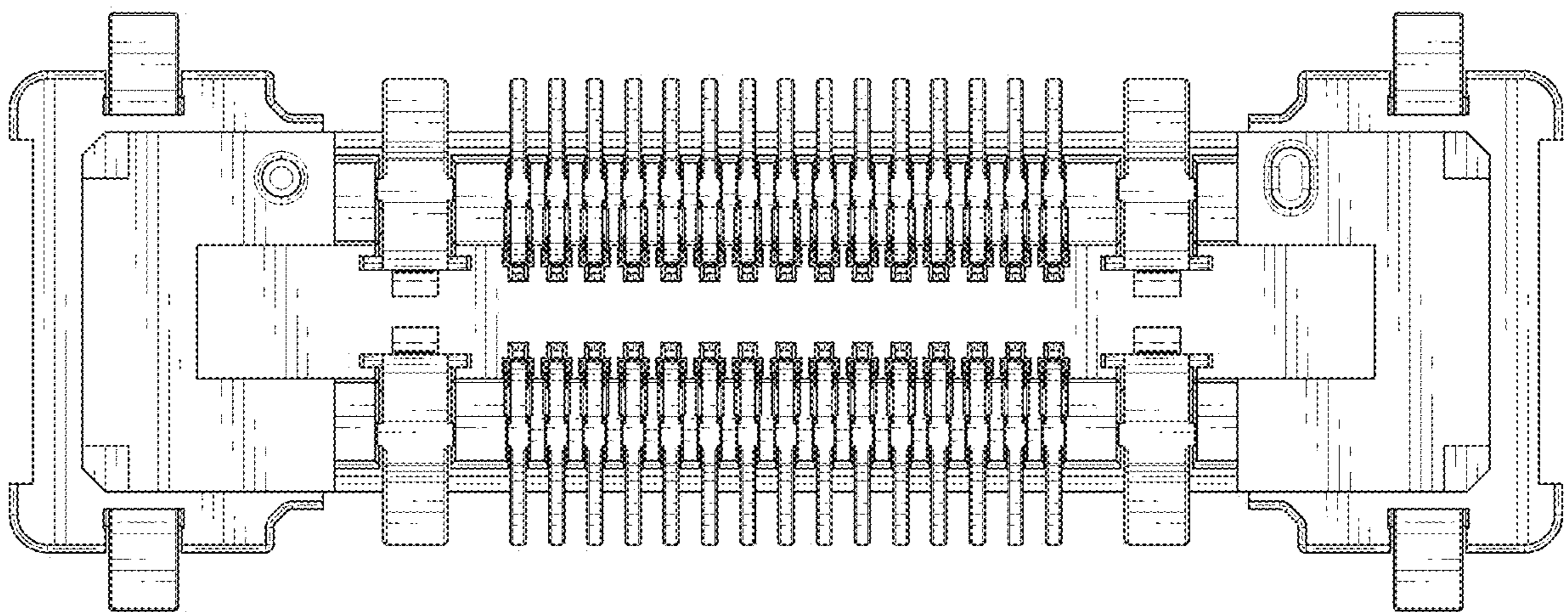


FIG. 6

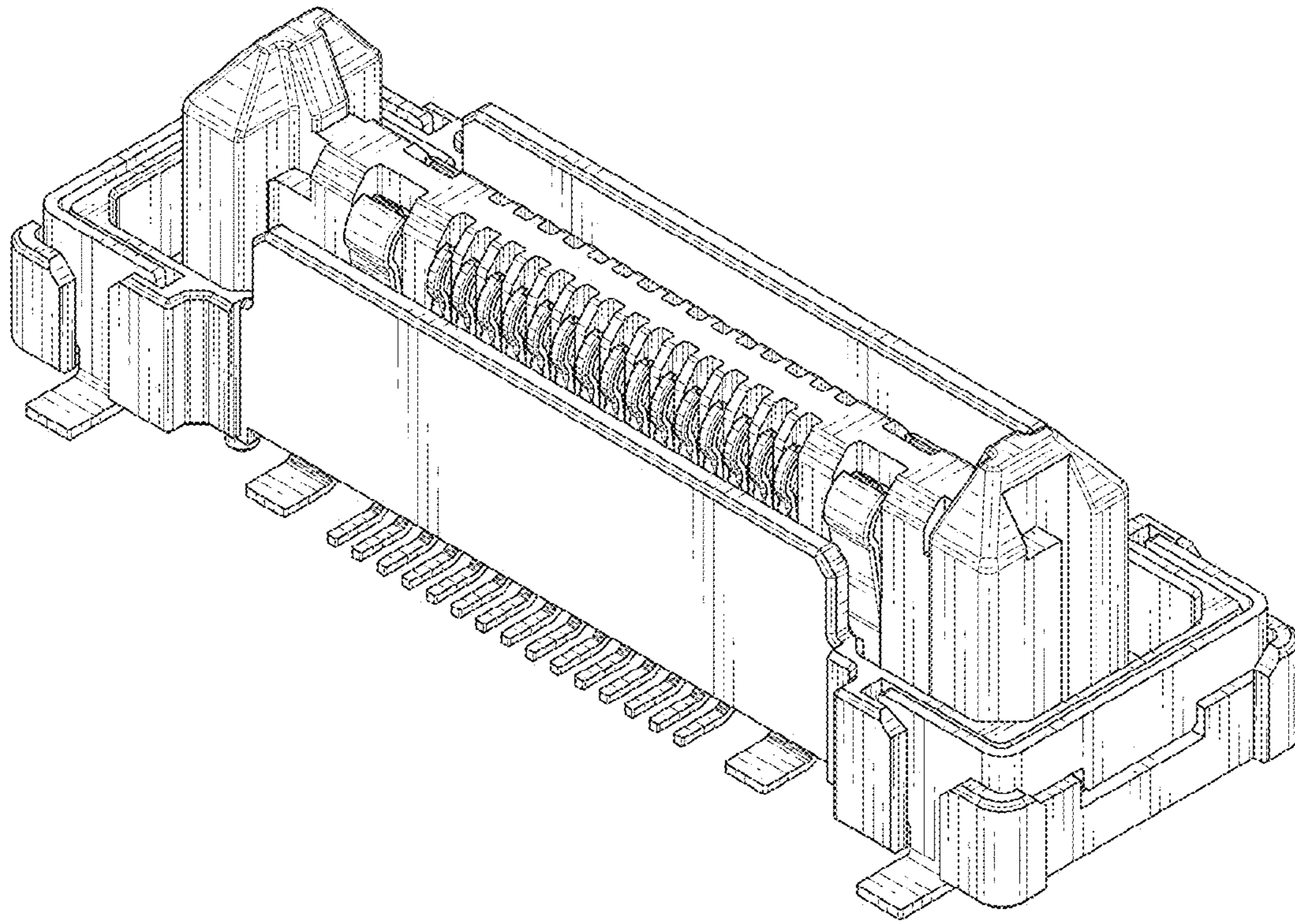


FIG. 7

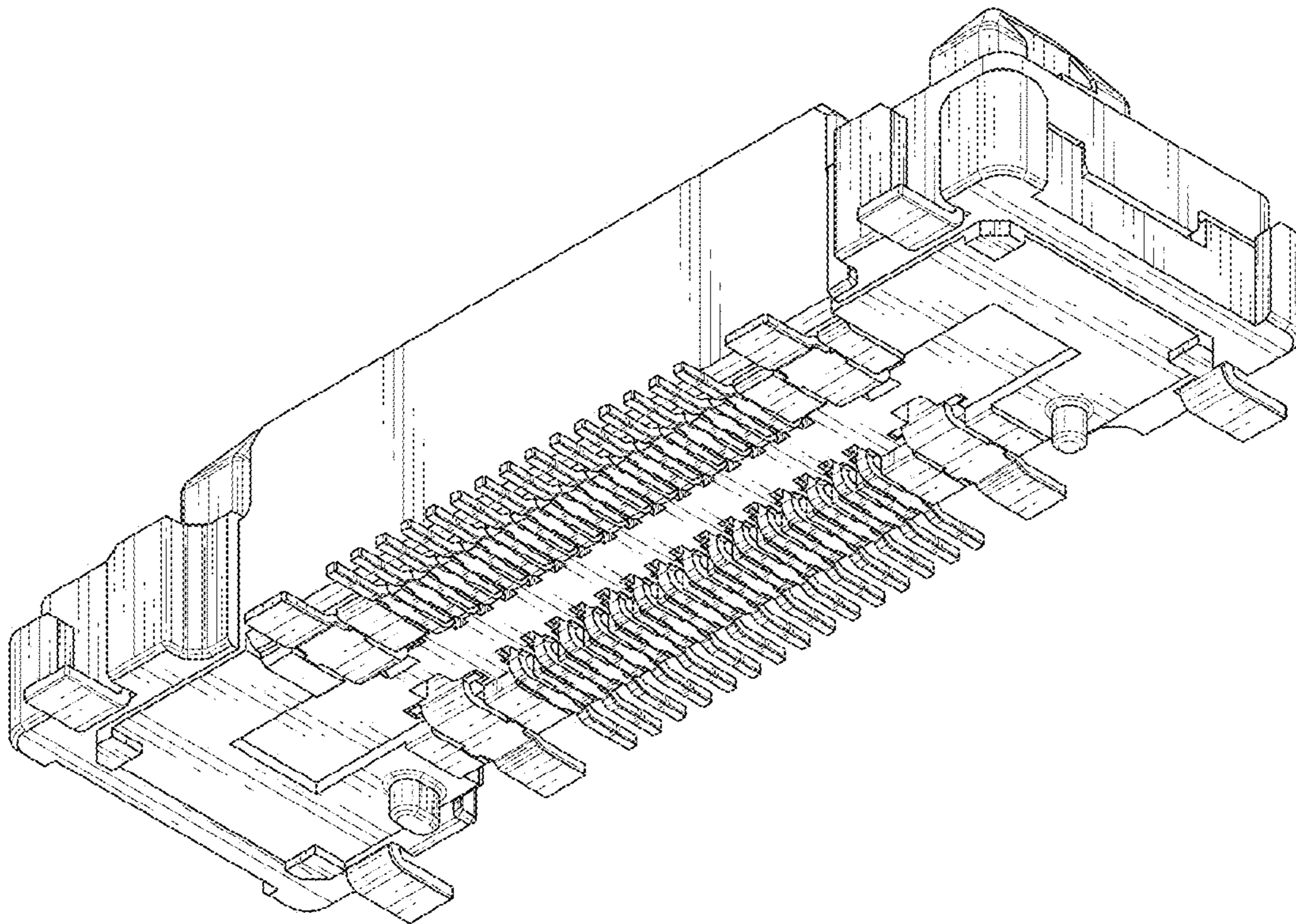


FIG. 8

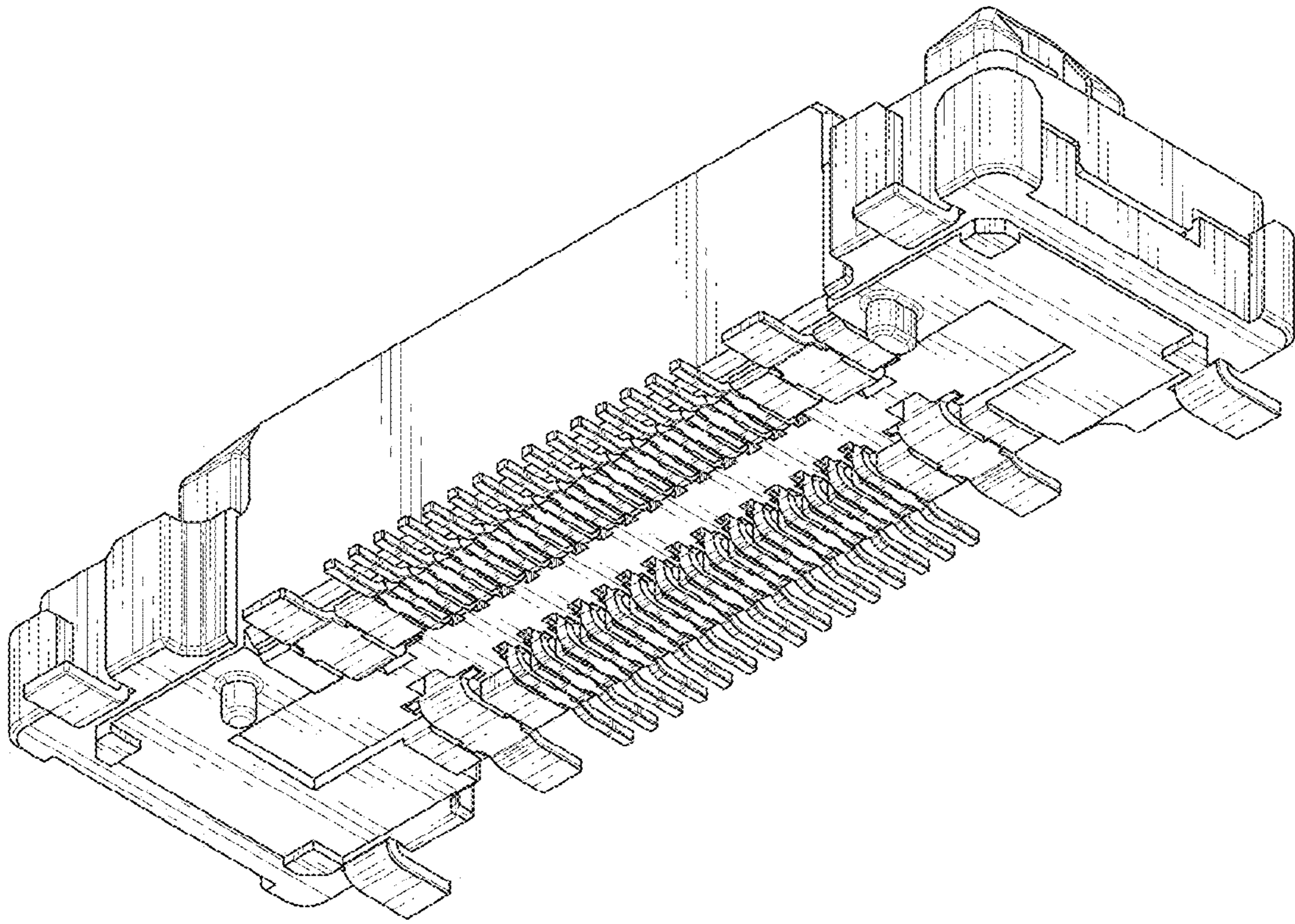


FIG. 9

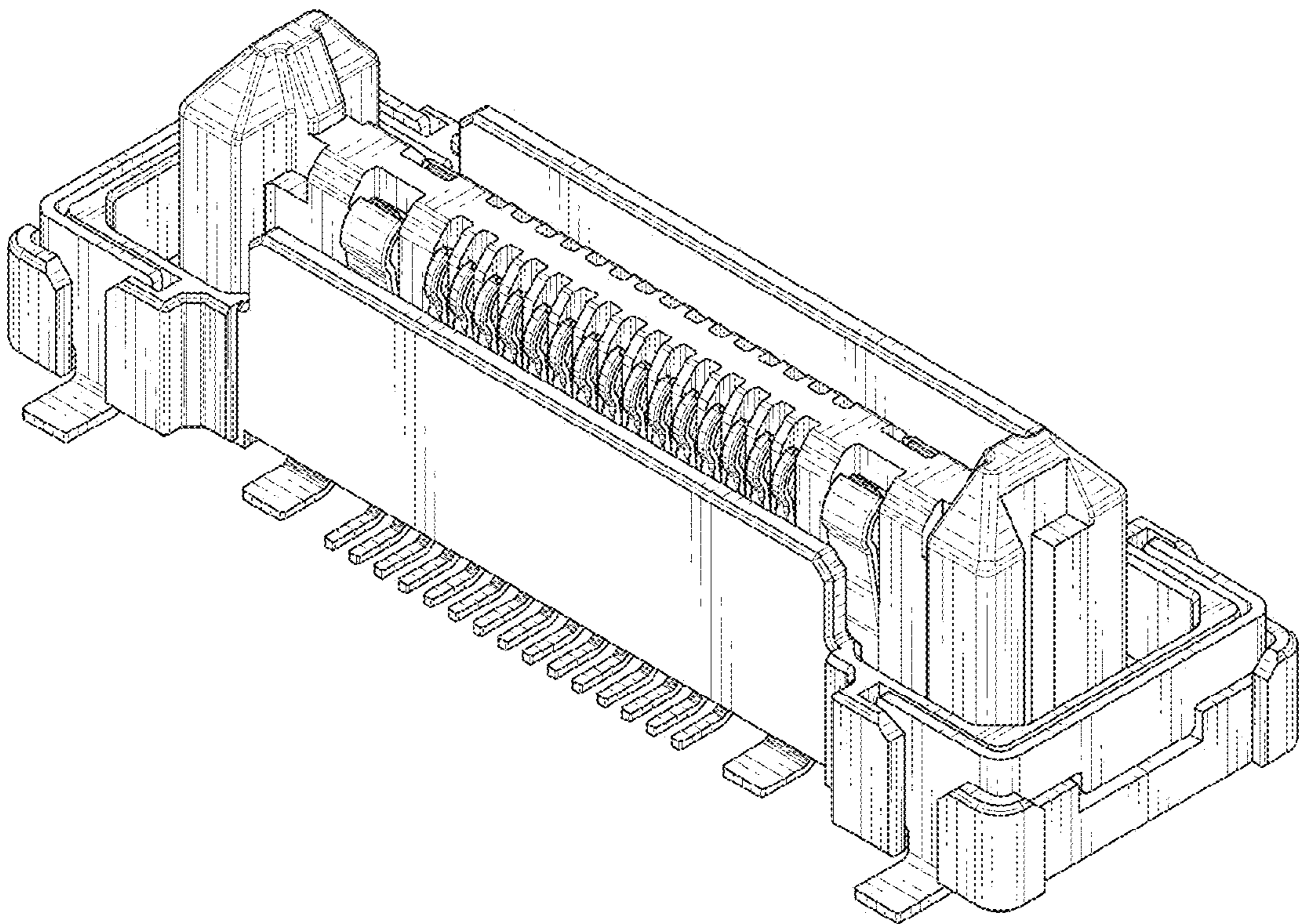


FIG. 10