



US00D928099S

(12) **United States Design Patent**
Obata et al.

(10) **Patent No.:** **US D928,099 S**

(45) **Date of Patent:** **** Aug. 17, 2021**

(54) **CONNECTOR**

(71) Applicant: **Japan Aviation Electronics Industry, Limited**, Tokyo (JP)

(72) Inventors: **Yusuke Obata**, Tokyo (JP); **Hiroaki Obikane**, Tokyo (JP); **Masakazu Kuroiwa**, Tokyo (JP)

(73) Assignee: **JAPAN AVIATION ELECTRONICS INDUSTRY, LIMITED**, Tokyo (JP)

(**) Term: **15 Years**

(21) Appl. No.: **29/707,019**

(22) Filed: **Sep. 25, 2019**

Related U.S. Application Data

(62) Division of application No. 29/637,375, filed on Feb. 16, 2018, now Pat. No. Des. 873,777.

(30) **Foreign Application Priority Data**

Dec. 18, 2017 (JP) 2017-028134

(51) **LOC (13) Cl.** **13-03**

(52) **U.S. Cl.**
USPC **D13/147**

(58) **Field of Classification Search**
USPC D13/146, 147, 123, 133, 137.1-139.8,
D13/154

CPC H01R 24/62; H01R 13/7039; H01R 27/00;
H01R 2201/04; H01R 2201/16

See application file for complete search history.

(56) **References Cited**

U.S. PATENT DOCUMENTS

D316,081 S * 4/1991 Tsubokura D13/147
D334,013 S * 3/1993 Nagasaka D13/133
D351,587 S * 10/1994 Puchammer D13/133

D485,237 S * 1/2004 Hwang D13/123
D485,238 S * 1/2004 Hwang D13/123
D524,736 S * 7/2006 Morita D13/133
D573,949 S * 7/2008 Taira D13/133
D589,884 S * 4/2009 Aral D13/133
D687,381 S * 8/2013 Yang D13/147
D689,821 S * 9/2013 Yang D13/133
D746,232 S * 12/2015 Chen D13/133
D751,042 S * 3/2016 Ebisawa D13/154
D798,237 S * 9/2017 Peng D13/133
D870,673 S * 12/2019 Obata D13/147
D873,777 S * 1/2020 Obata D13/147

(Continued)

Primary Examiner — Bridget L Eland

(74) *Attorney, Agent, or Firm* — Manabu Kanesaka

(57) **CLAIM**

The ornamental design for a connector, as shown and described.

DESCRIPTION

FIG. 1 is a front elevational view of a connector showing our new design;

FIG. 2 is a rear elevational view thereof;

FIG. 3 is a right side elevational view thereof;

FIG. 4 is a left side elevational view thereof;

FIG. 5 is a top plan view thereof;

FIG. 6 is a bottom plan view thereof;

FIG. 7 is a perspective view showing a front, top and right side thereof;

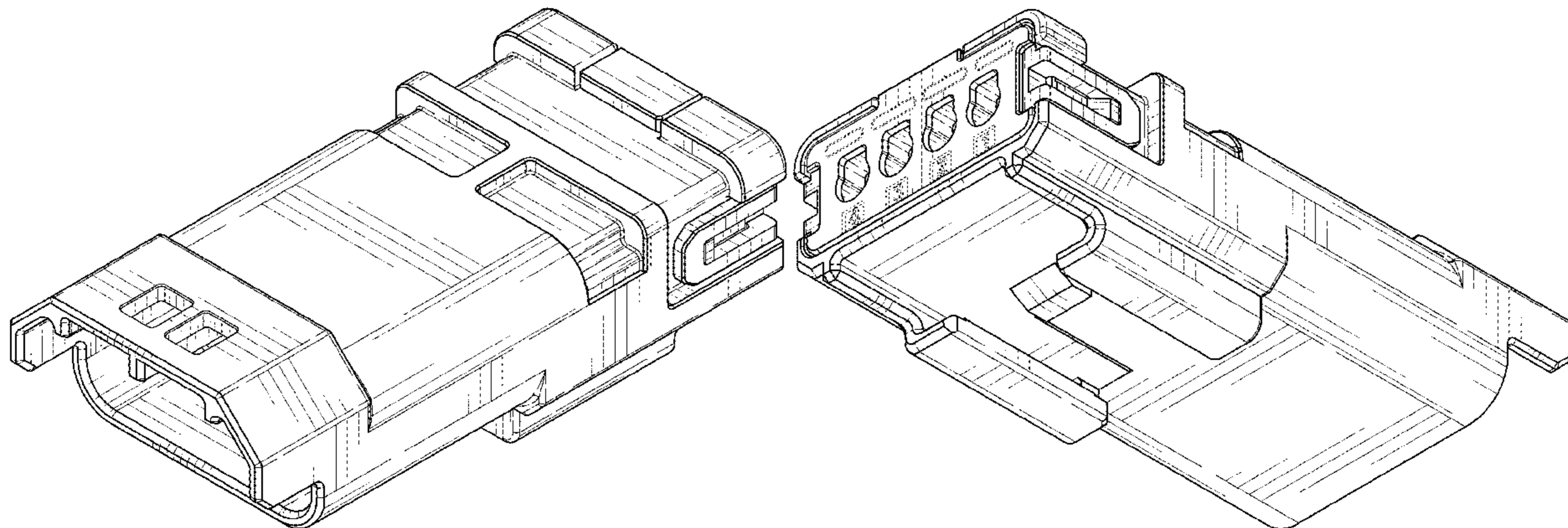
FIG. 8 is a perspective view showing a rear, bottom and left side thereof;

FIG. 9 is a perspective view showing a front, right and bottom side thereof; and,

FIG. 10 is a perspective view showing a rear, left and top side thereof.

The broken line showing of the connector is for the purpose of illustrating portions of the article and forms no part of the claimed design.

1 Claim, 6 Drawing Sheets



(56)

References Cited

U.S. PATENT DOCUMENTS

D894,836 S * 9/2020 Obata D13/133
D911,976 S * 3/2021 Obata D13/147

* cited by examiner

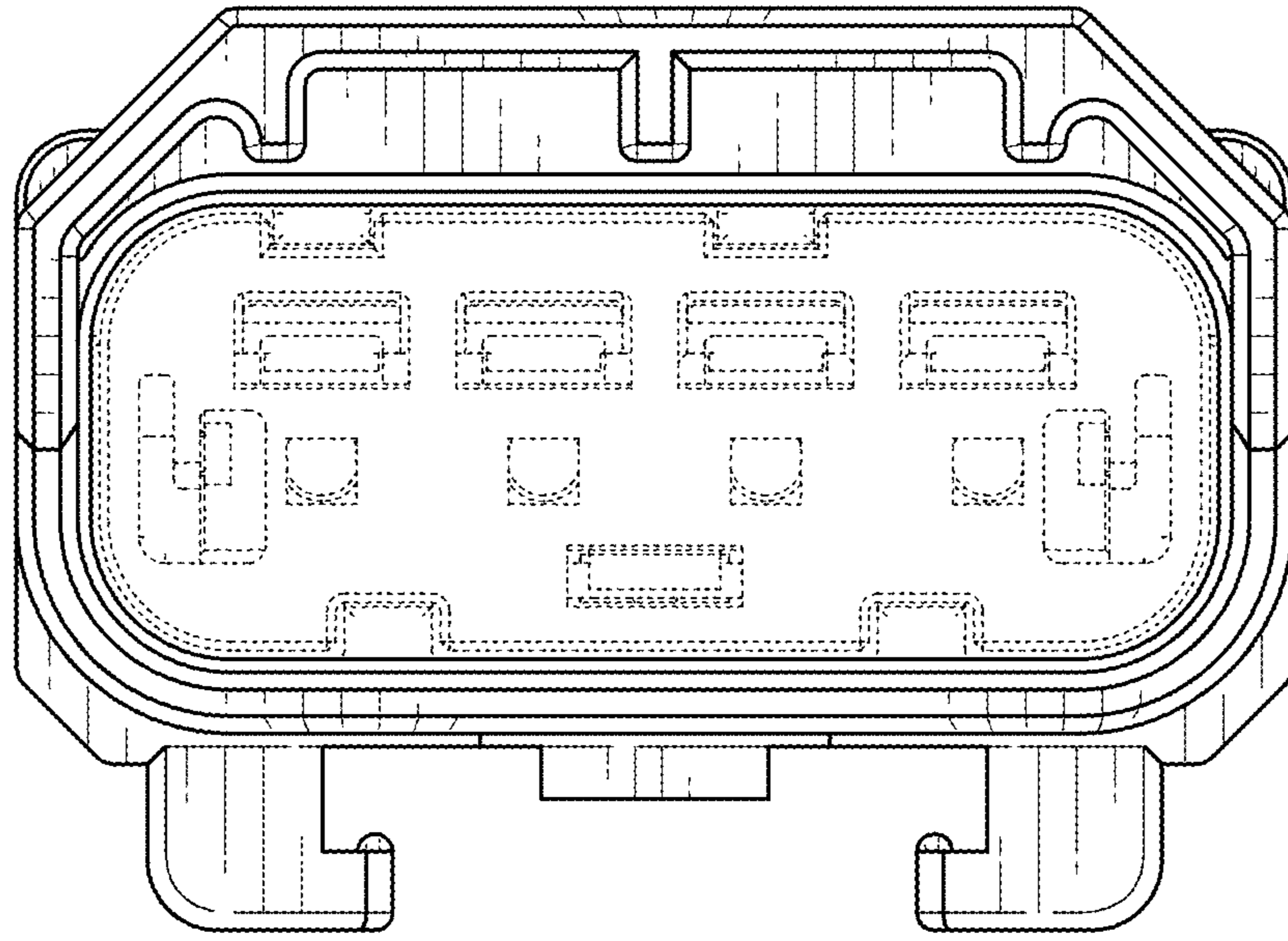


FIG. 1

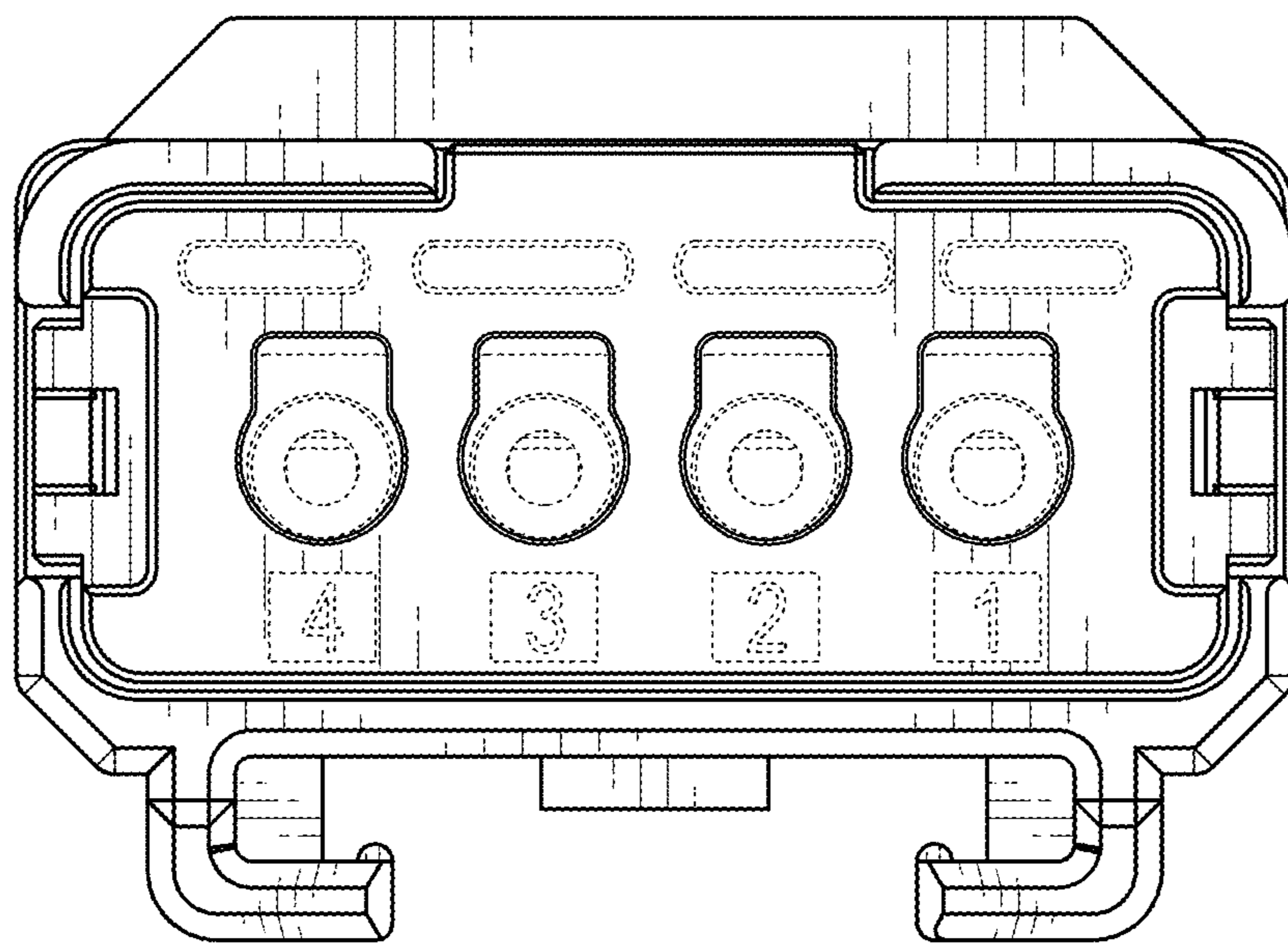


FIG. 2

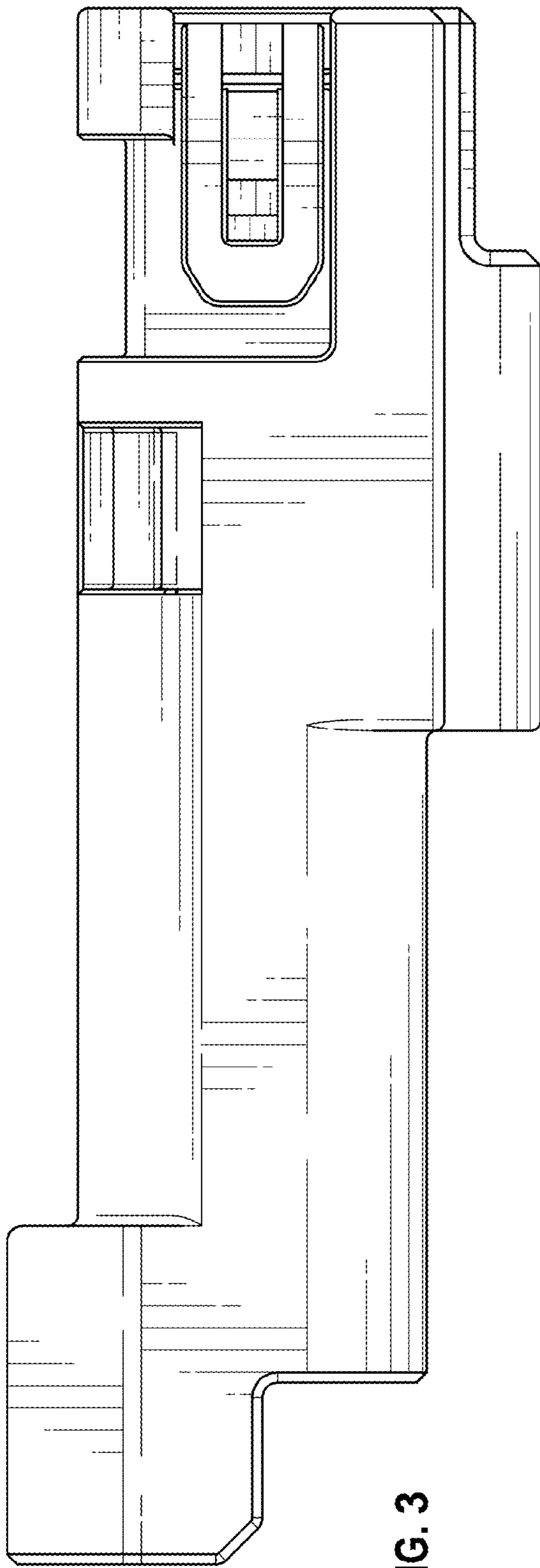


FIG. 3

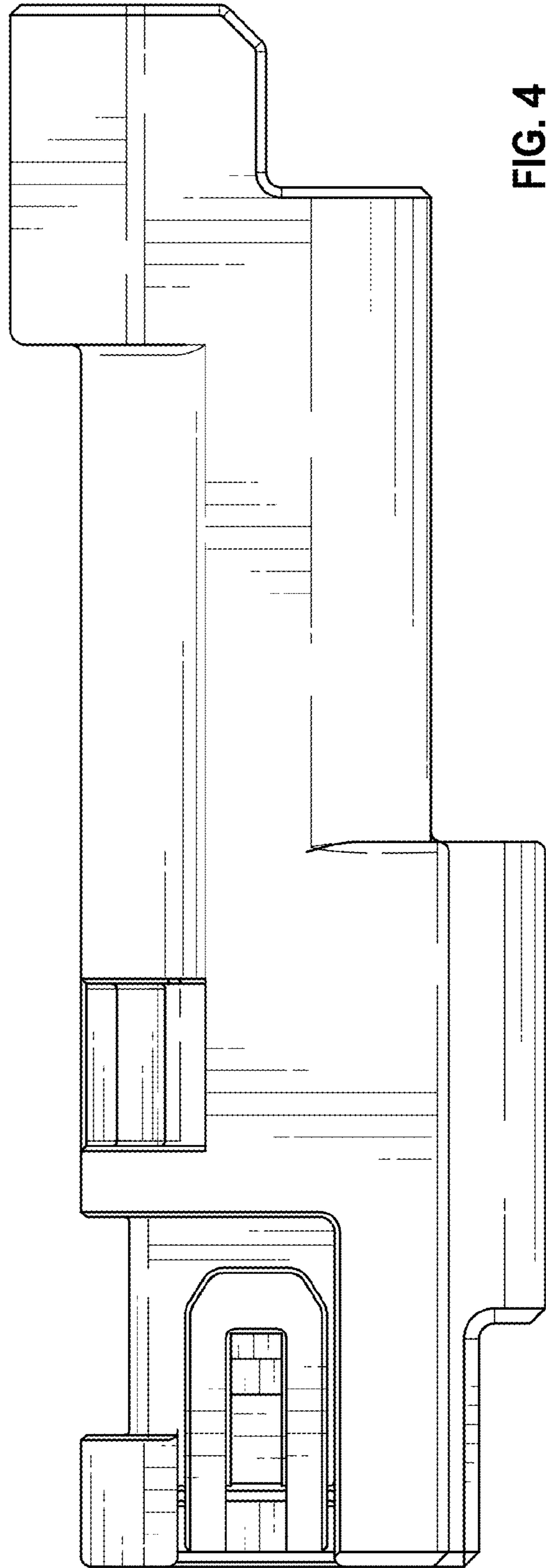


FIG. 4

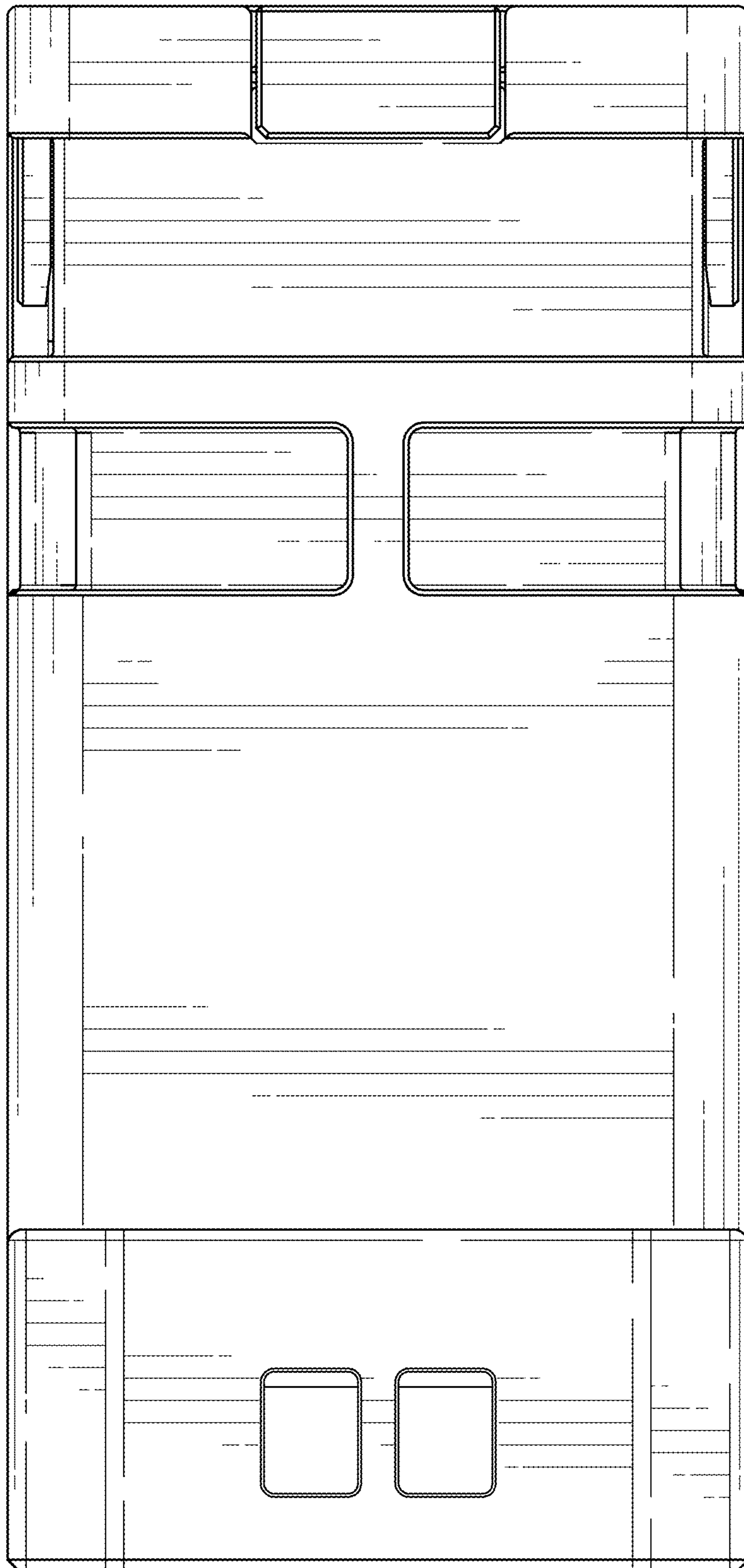


FIG. 5

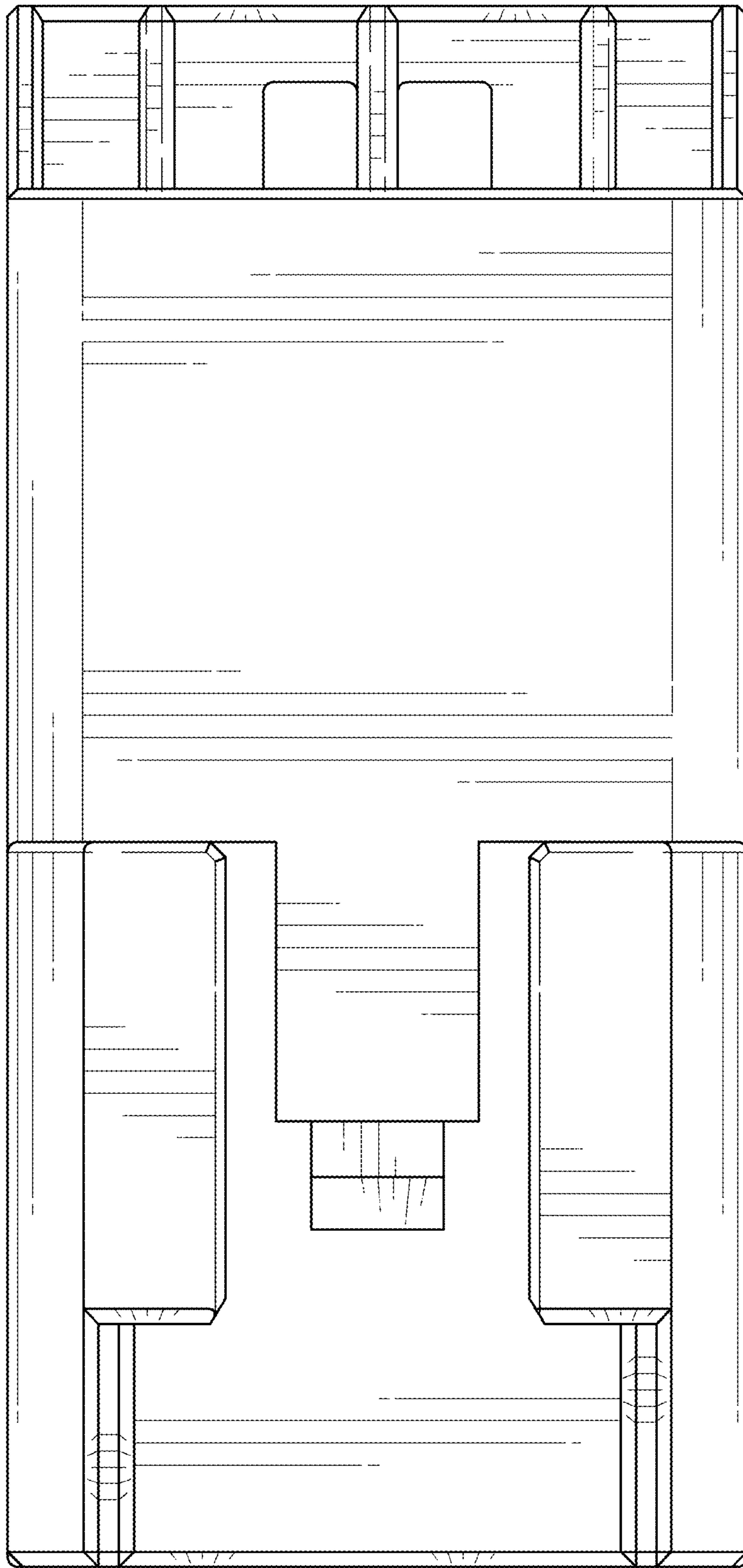
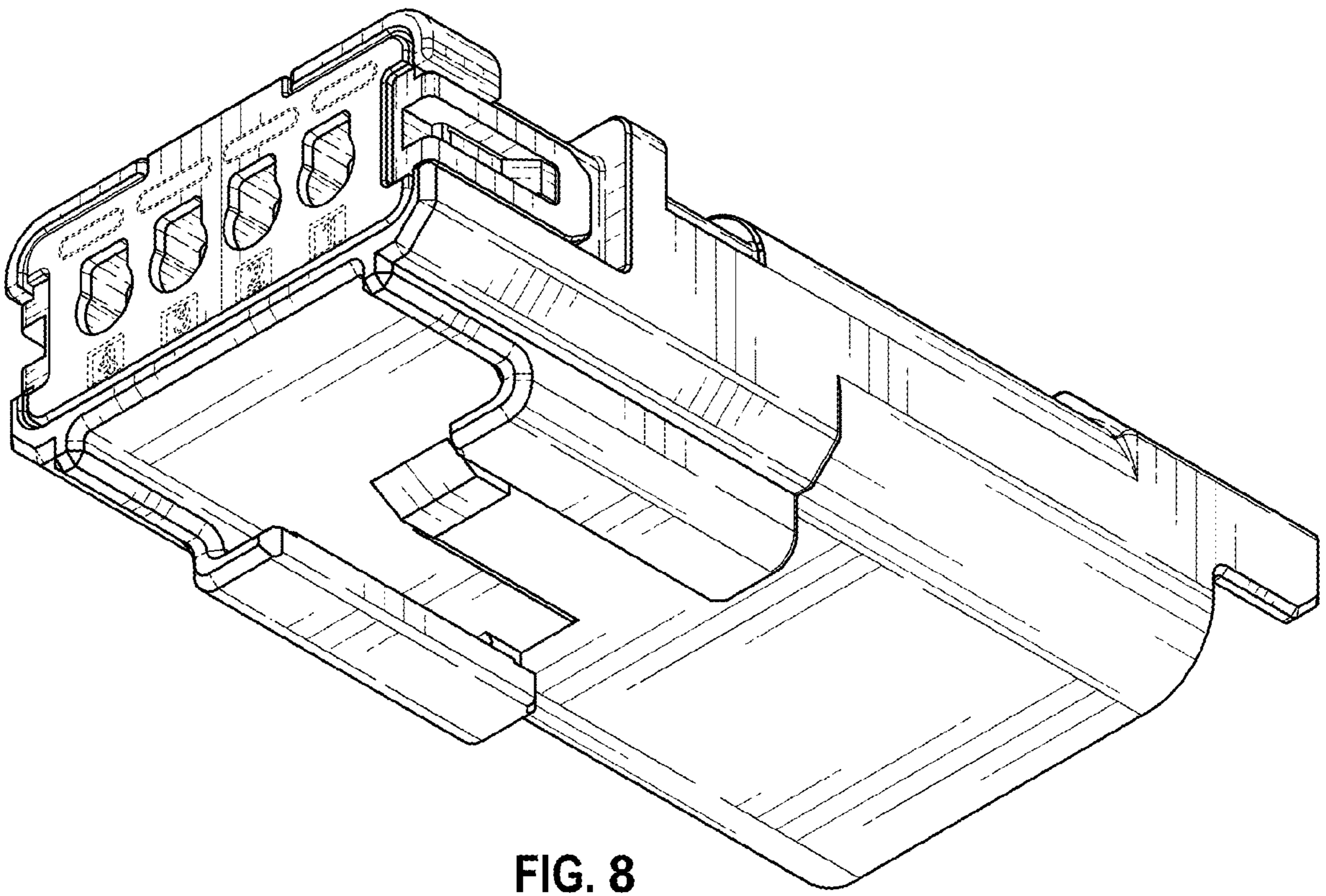
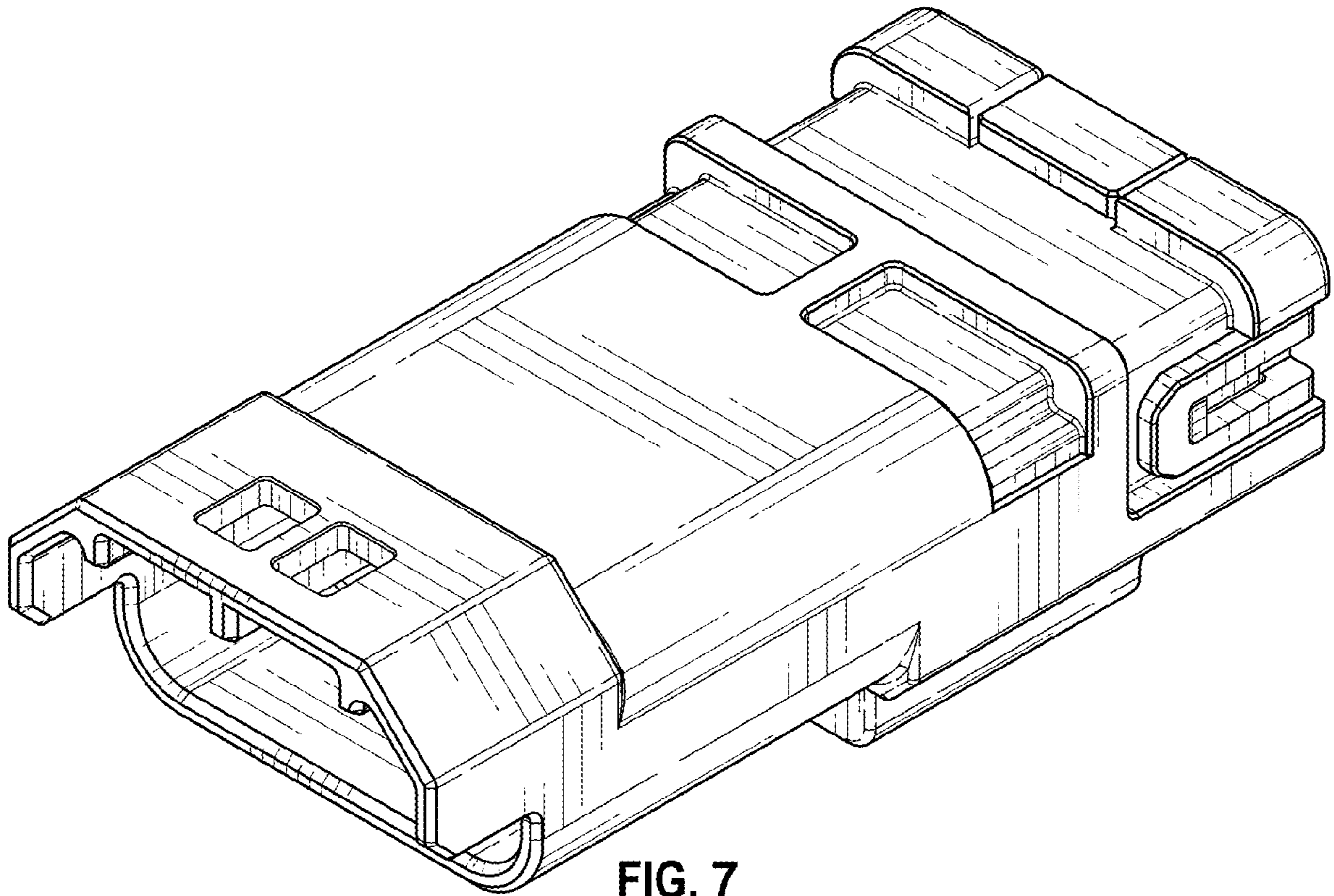


FIG. 6



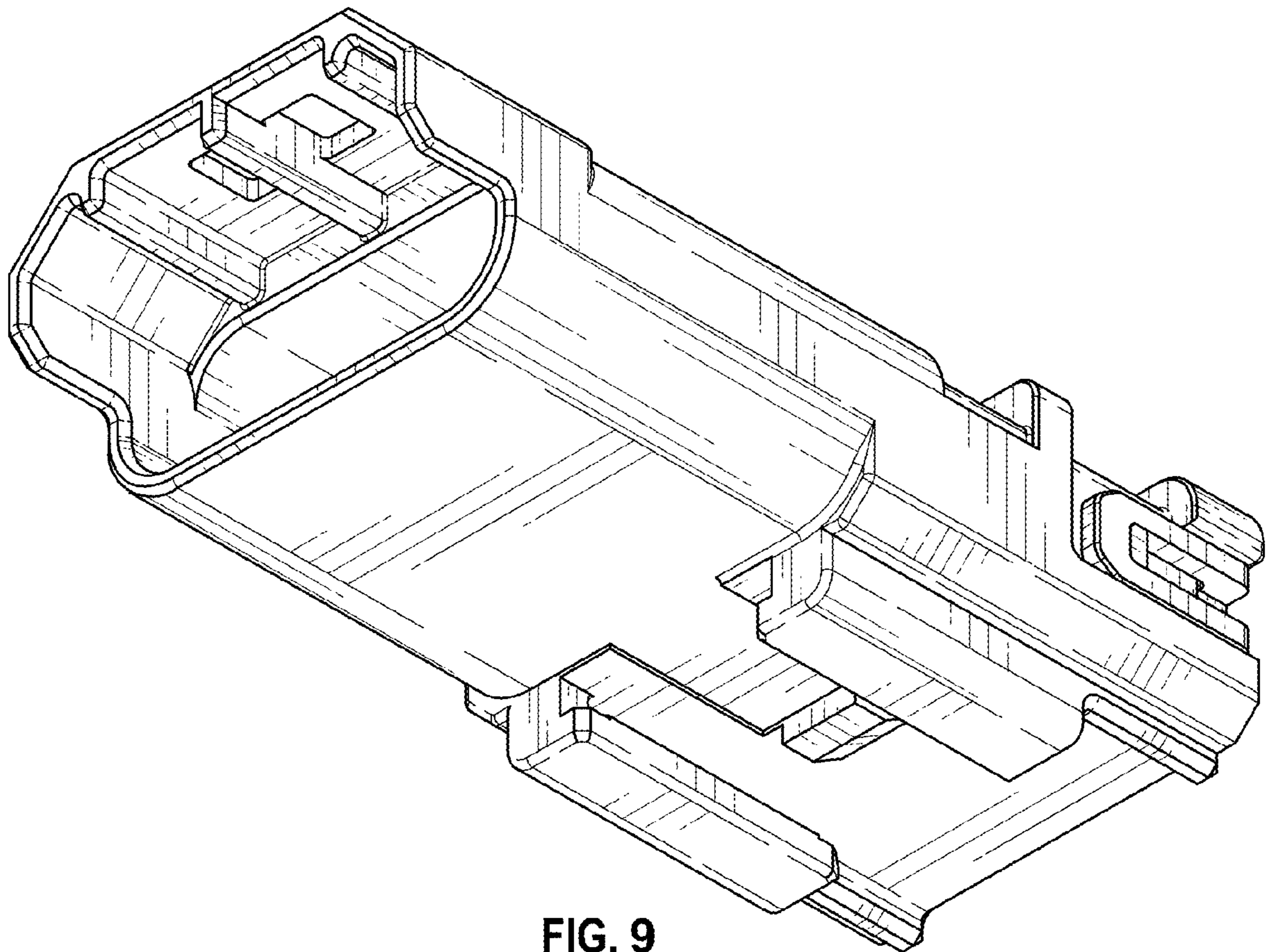


FIG. 9

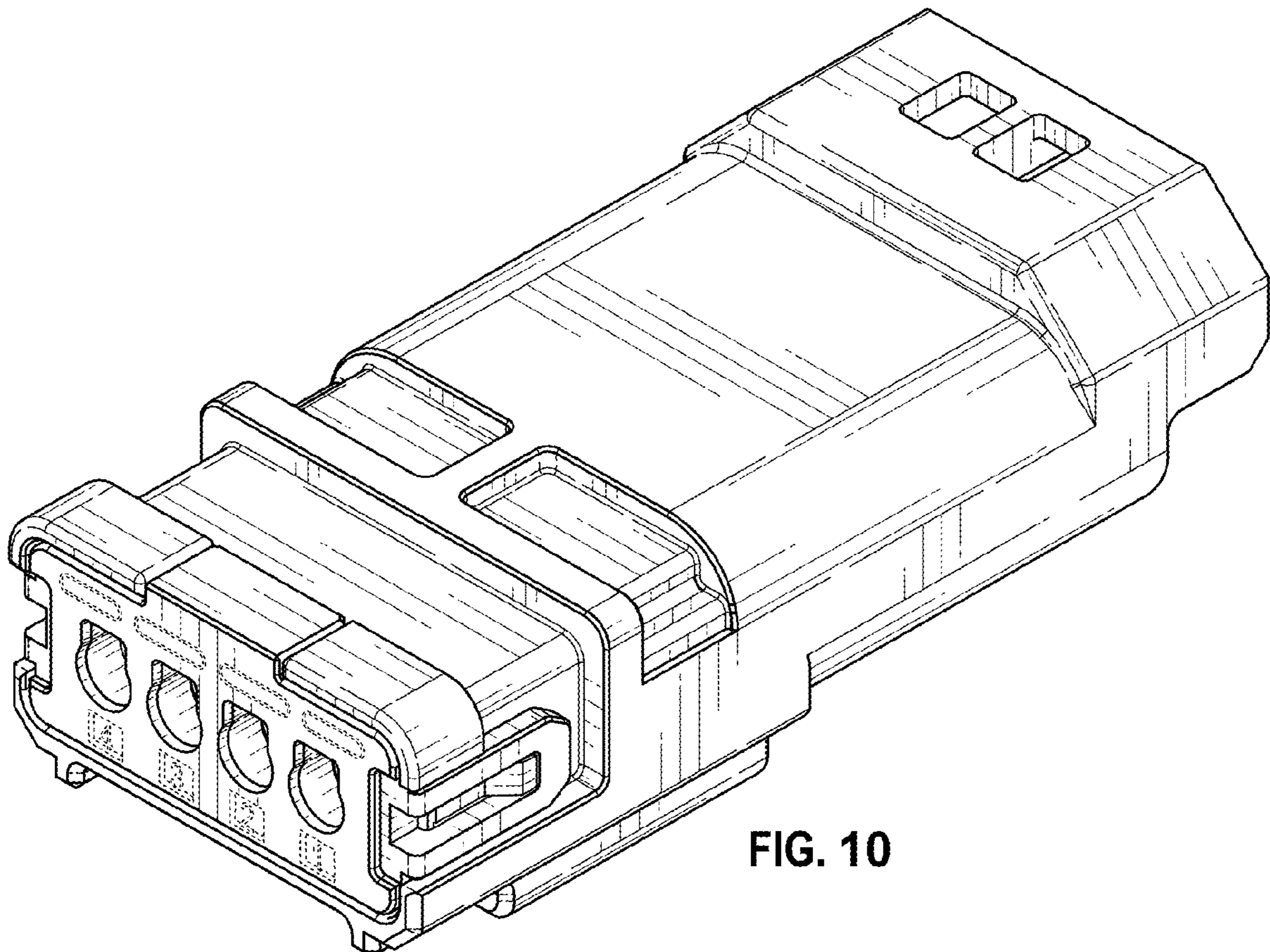


FIG. 10