



US00D928098S

(12) **United States Design Patent**  
**Obata et al.**

(10) **Patent No.:** **US D928,098 S**

(45) **Date of Patent:** **\*\* Aug. 17, 2021**

(54) **CONNECTOR**

(71) Applicant: **Japan Aviation Electronics Industry, Limited**, Tokyo (JP)

(72) Inventors: **Yusuke Obata**, Tokyo (JP); **Hiroaki Obikane**, Tokyo (JP); **Yuichiro Nakamura**, Tokyo (JP); **Masakazu Kuroiwa**, Tokyo (JP)

(73) Assignee: **JAPAN AVIATION ELECTRONICS INDUSTRY, LIMITED**, Tokyo (JP)

(\*\*) Term: **15 Years**

(21) Appl. No.: **29/707,013**

(22) Filed: **Sep. 25, 2019**

**Related U.S. Application Data**

(62) Division of application No. 29/637,375, filed on Feb. 16, 2018, now Pat. No. Des. 873,777.

(30) **Foreign Application Priority Data**

Aug. 22, 2017 (JP) ..... 2017-017929

(51) **LOC (13) Cl.** ..... **13-03**

(52) **U.S. Cl.**  
USPC ..... **D13/147**

(58) **Field of Classification Search**  
USPC ..... D13/146, 147, 123, 133, 137.1–139.8,  
D13/154

CPC .... H01R 24/62; H01R 13/7039; H01R 27/00;  
H01R 2201/04; H01R 2201/16  
See application file for complete search history.

(56) **References Cited**

**U.S. PATENT DOCUMENTS**

D316,081 S \* 4/1991 Tsubokura ..... D13/147  
D334,013 S \* 3/1993 Nagasaka ..... D13/133

D351,587 S \* 10/1994 Puchammer ..... D13/133  
D485,237 S \* 1/2004 Hwang ..... D13/123  
D485,238 S \* 1/2004 Hwang ..... D13/123  
D524,736 S \* 7/2006 Morita ..... D13/133  
D573,949 S \* 7/2008 Taira ..... D13/133  
D589,884 S \* 4/2009 Aral ..... D13/133  
D687,381 S \* 8/2013 Yang ..... D13/147  
D689,821 S \* 9/2013 Yang ..... D13/133  
D746,232 S \* 12/2015 Chen ..... D13/133  
D751,042 S \* 3/2016 Ebisawa ..... D13/154  
D798,237 S \* 9/2017 Peng ..... D13/133  
D870,673 S \* 12/2019 Obata ..... D13/147  
D873,777 S \* 1/2020 Obata ..... D13/147

(Continued)

*Primary Examiner* — Bridget L Eland

(74) *Attorney, Agent, or Firm* — Manabu Kanesaka

(57) **CLAIM**

The ornamental design for a connector, as shown and described.

**DESCRIPTION**

FIG. 1 is a front elevational view of a connector showing our new design;

FIG. 2 is a rear elevational view thereof;

FIG. 3 is a right side elevational view thereof;

FIG. 4 is a left side elevational view thereof;

FIG. 5 is a top plan view thereof;

FIG. 6 is a bottom plan view thereof;

FIG. 7 is a perspective view showing a front, top and right side thereof;

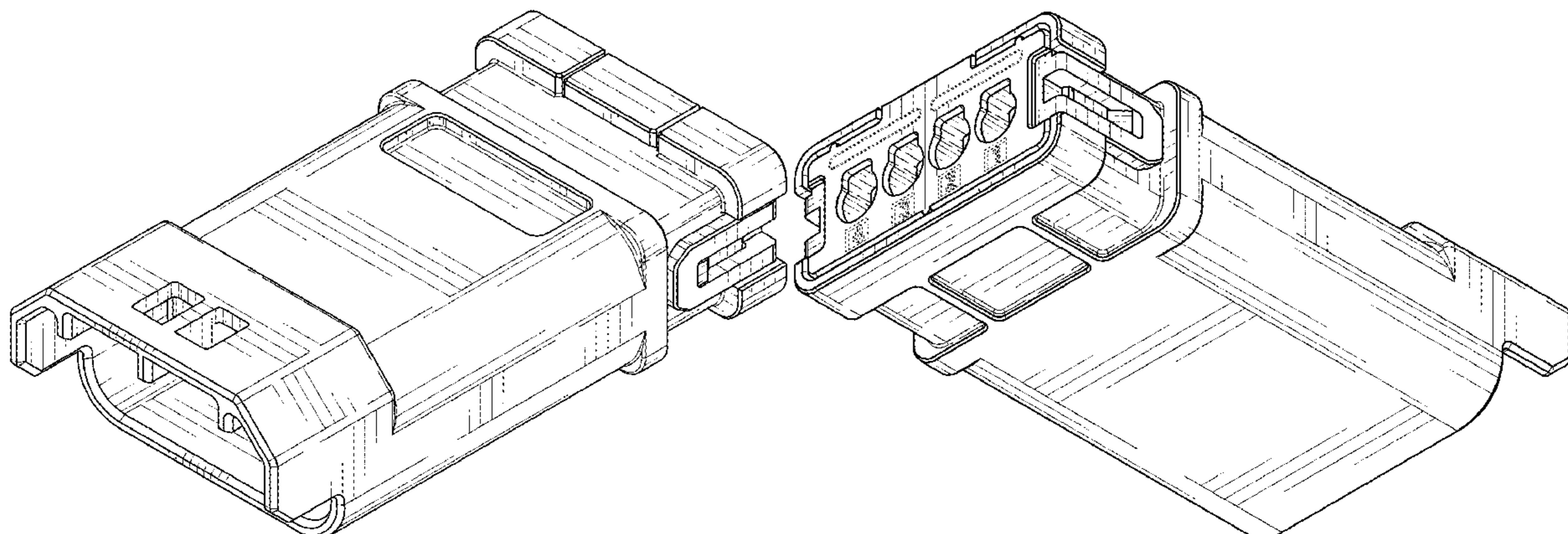
FIG. 8 is a perspective view showing a rear, bottom and left side thereof;

FIG. 9 is a perspective view showing a front, right and bottom side thereof; and,

FIG. 10 is a perspective view showing a rear, left and top side thereof.

The broken line showing of the connector is for the purpose of illustrating portions of the article and forms no part of the claimed design.

**1 Claim, 6 Drawing Sheets**



(56)

**References Cited**

U.S. PATENT DOCUMENTS

D894,836 S \* 9/2020 Obata ..... D13/133  
D911,976 S \* 3/2021 Obata ..... D13/147

\* cited by examiner

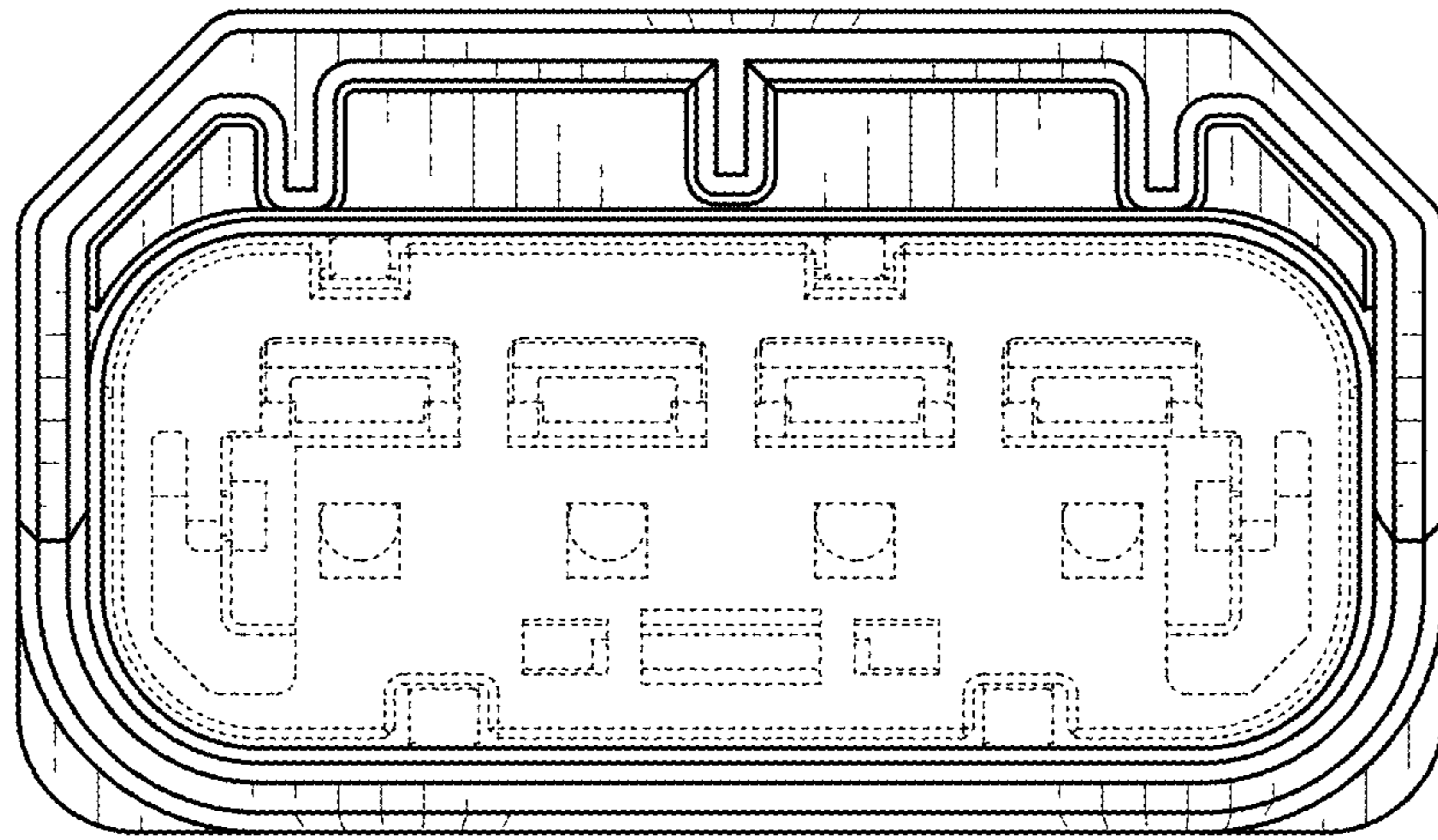


FIG. 1

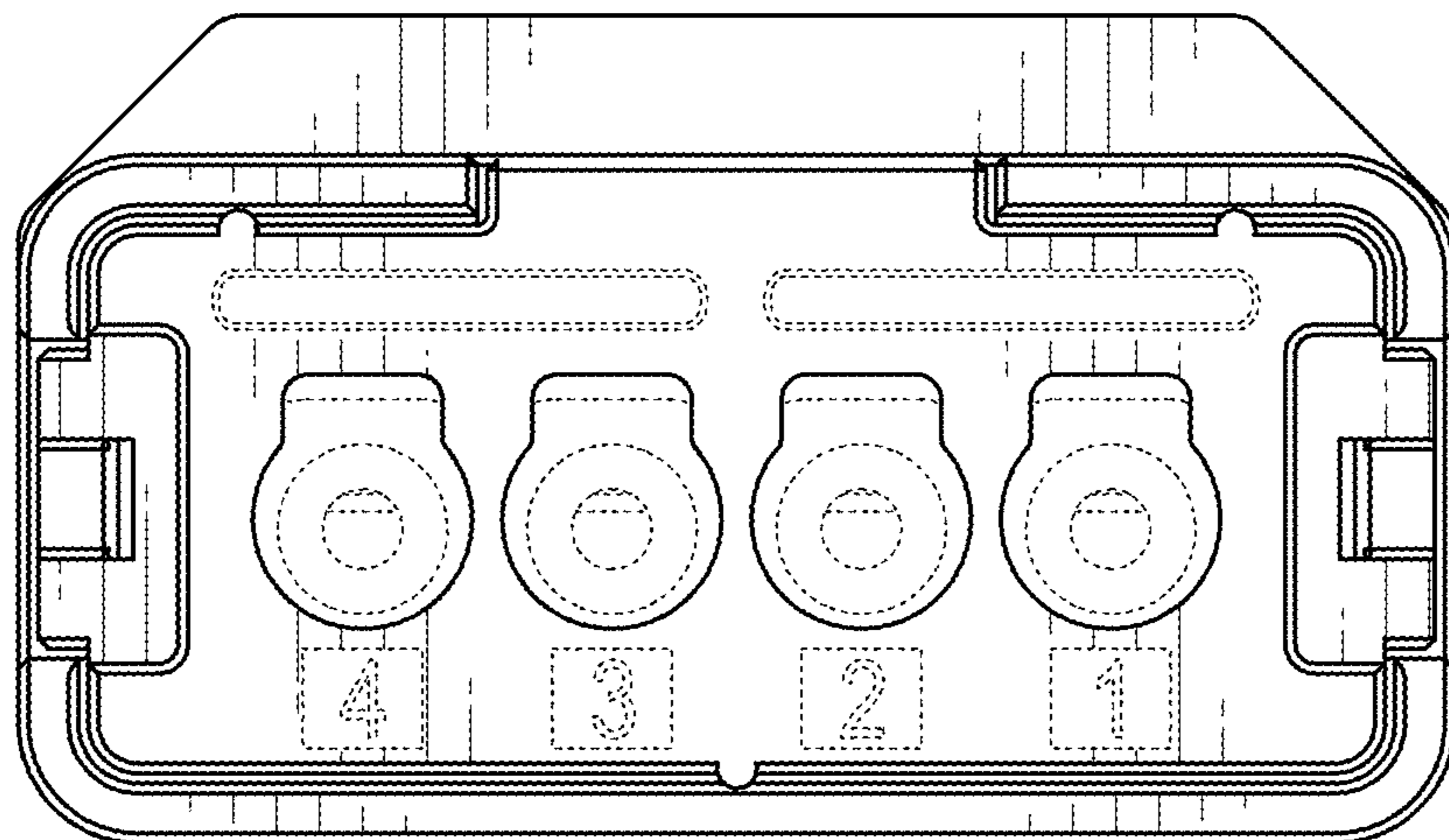


FIG. 2

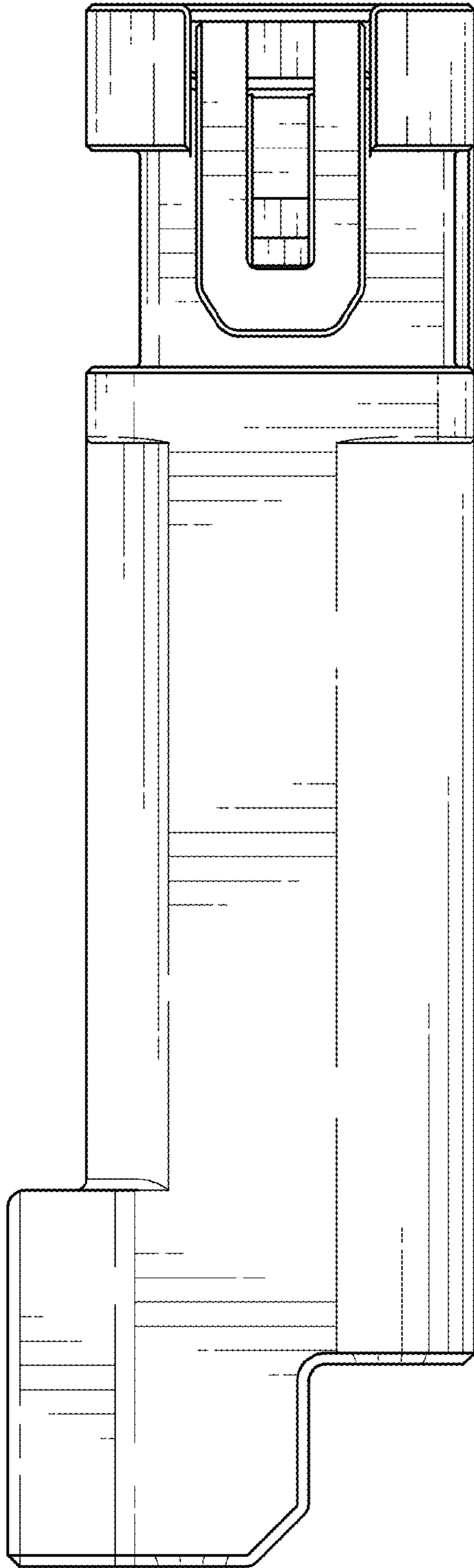


FIG. 3

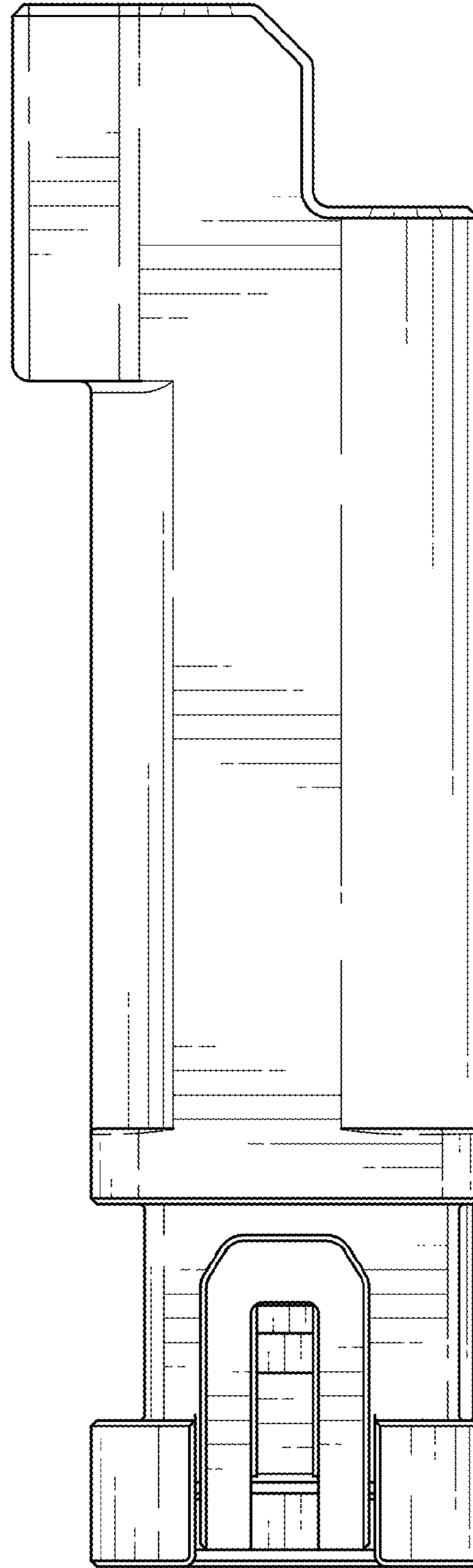


FIG. 4

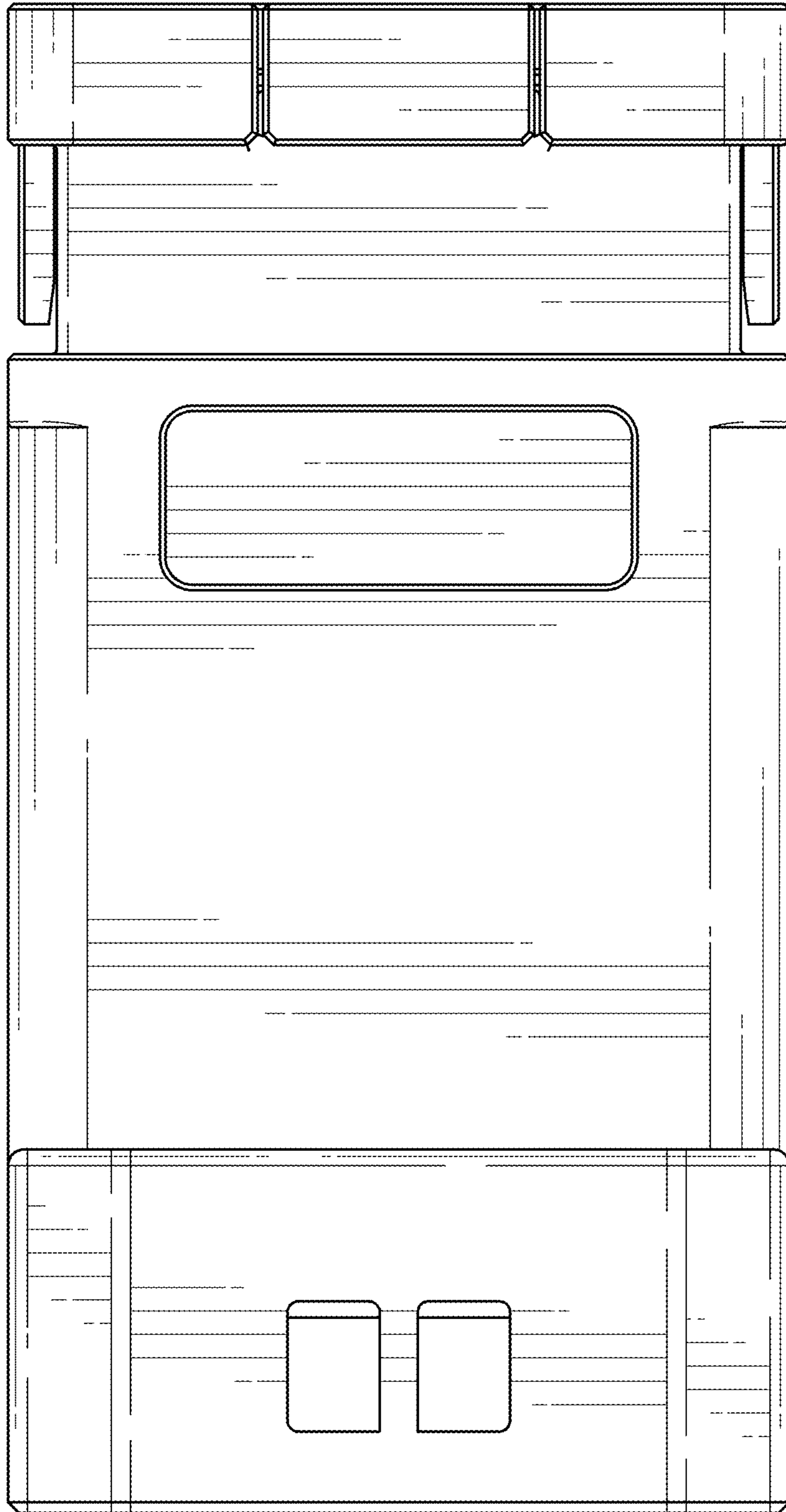


FIG. 5

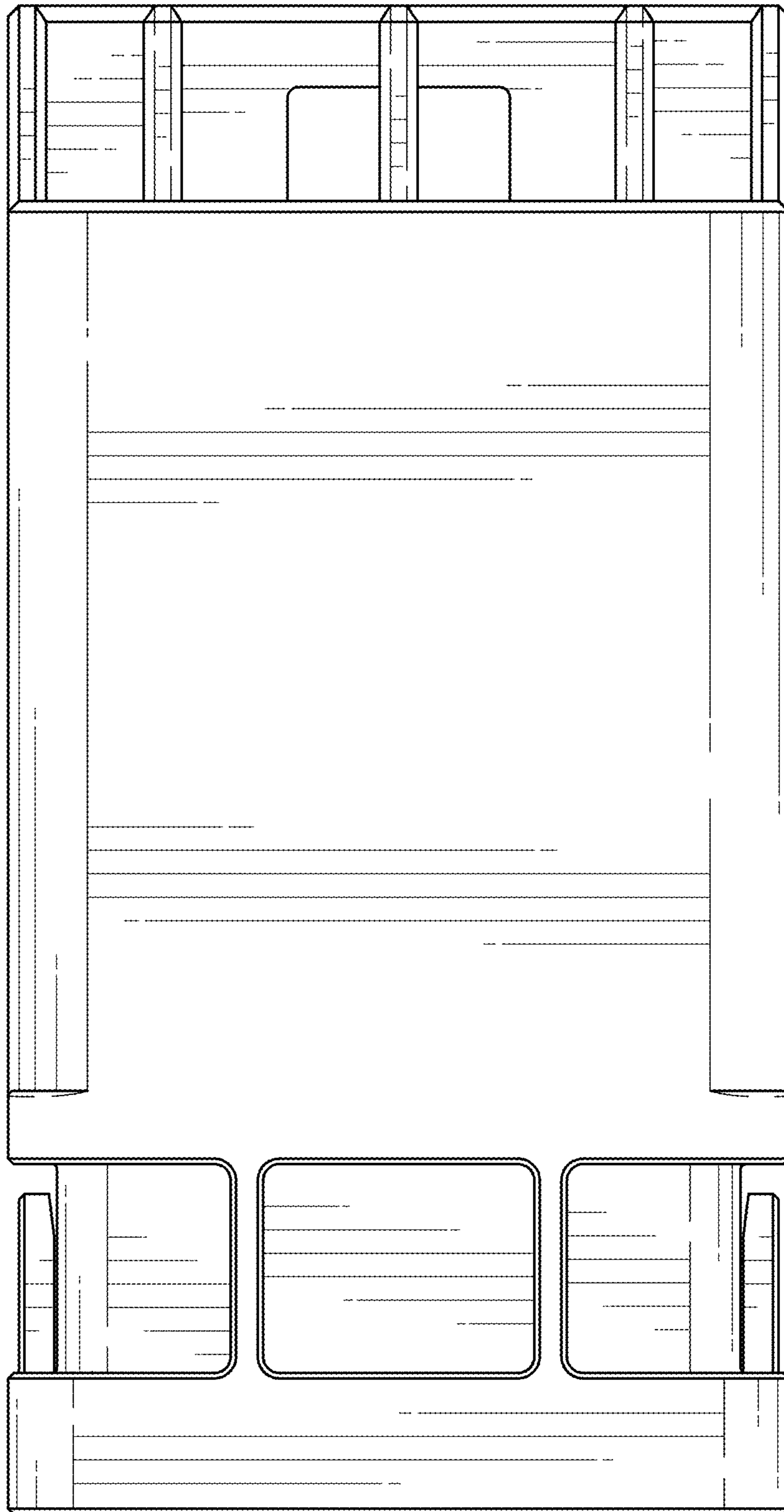


FIG. 6

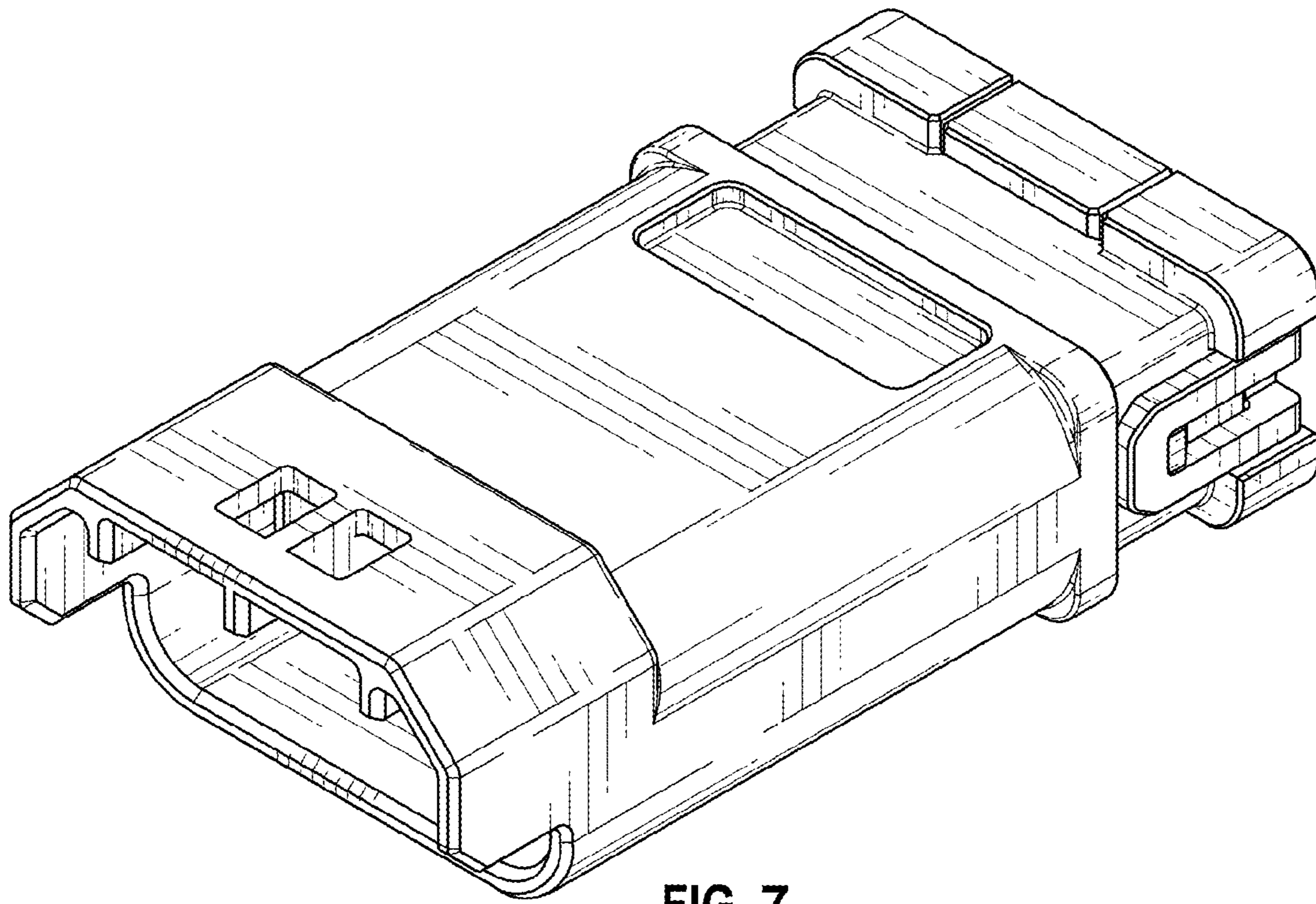


FIG. 7

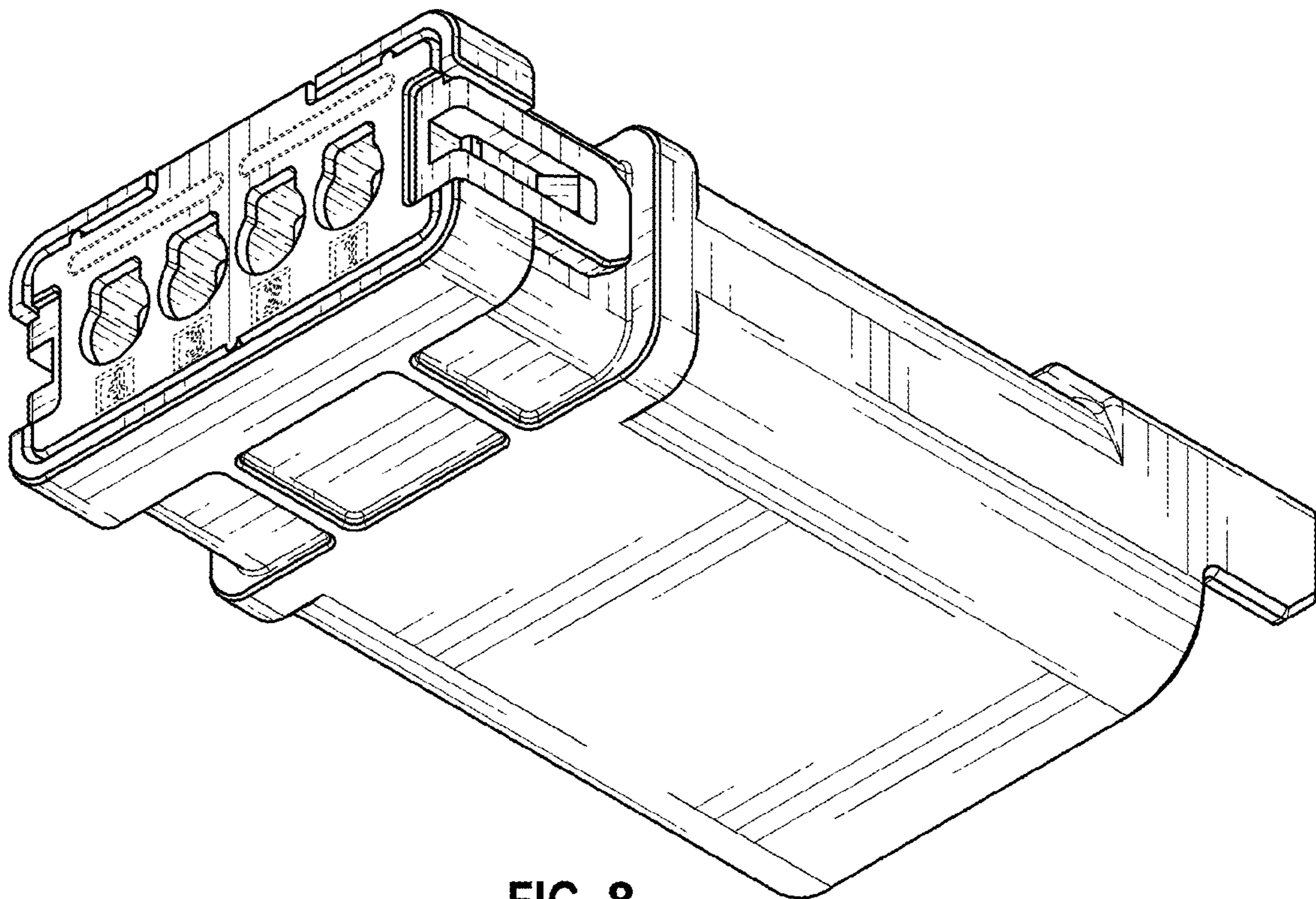


FIG. 8

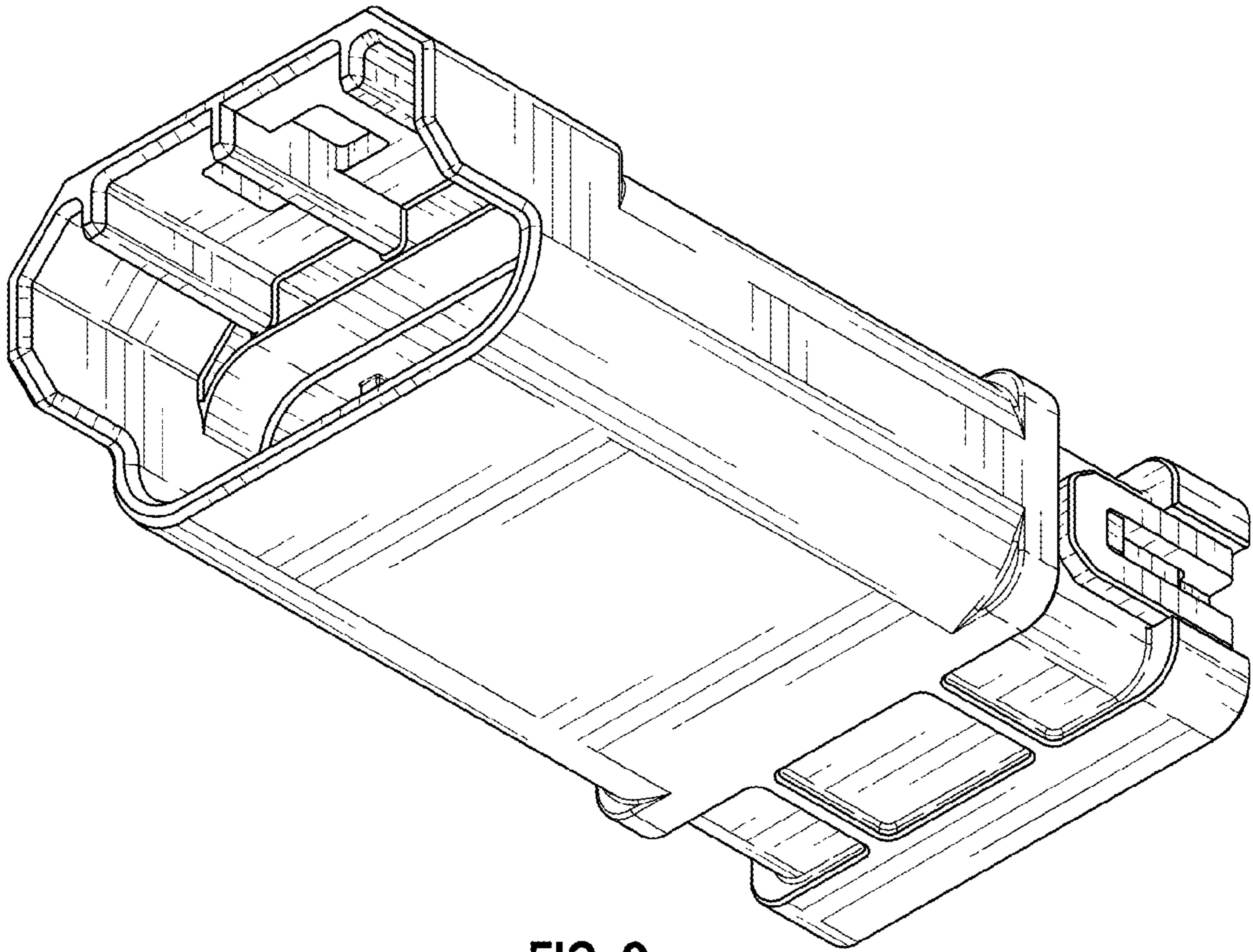


FIG. 9

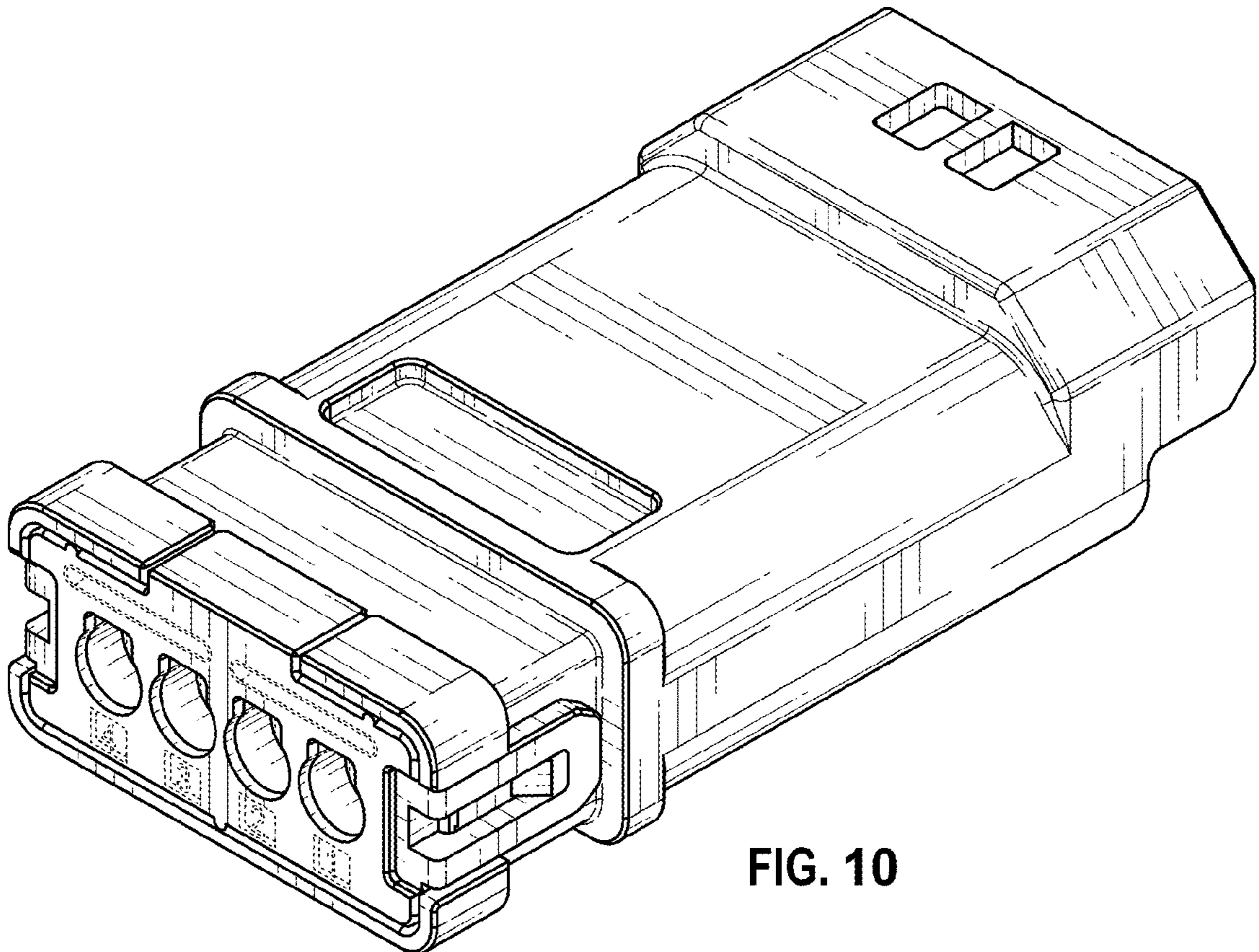


FIG. 10