



US00D928096S

(12) **United States Design Patent**
Nakamura

(10) **Patent No.:** **US D928,096 S**

(45) **Date of Patent:** **** Aug. 17, 2021**

(54) **CARD CONNECTOR**

(71) Applicant: **Japan Aviation Electronics Industry, Limited**, Tokyo (JP)

(72) Inventor: **Tomohiro Nakamura**, Tokyo (JP)

(73) Assignee: **JAPAN AVIATION ELECTRONICS INDUSTRY, LIMITED**, Tokyo (JP)

(**) Term: **15 Years**

(21) Appl. No.: **29/703,218**

(22) Filed: **Aug. 26, 2019**

(30) **Foreign Application Priority Data**

Mar. 11, 2019 (JP) 2019-004996

(51) **LOC (13) Cl.** **13-03**

(52) **U.S. Cl.**
USPC **D13/147**

(58) **Field of Classification Search**
USPC D13/133, 147, 123, 184, 199, 118, 120,
D13/154, 153, 173, 106, 121, 146;
D14/240, 256, 356, 358, 432, 433, 435,
D14/435.1, 438, 439, 125, 496, 480.1,
D14/442

See application file for complete search history.

(56) **References Cited**

U.S. PATENT DOCUMENTS

D580,363 S * 11/2008 Hung D13/147
7,866,988 B2 * 1/2011 Shimada H01R 12/88
439/76.1
8,523,614 B2 * 9/2013 Matsunaga H01R 12/716
439/630
D798,241 S * 9/2017 Mikawa D13/147
2008/0287004 A1 * 11/2008 Miyamoto G06K 13/0862
439/345

(Continued)

OTHER PUBLICATIONS

Micro Sim Connector Compatible with Sony Xperia. Date: Oct. 5, 2019, [online], [Site visited Jan. 25, 2021], Available from Internet URL: <https://www.amazon.com/dp/B07YR2C3X3/> (Year: 2019).*

(Continued)

Primary Examiner — Brett Miller

Assistant Examiner — Landon Thomas Cassell

(74) *Attorney, Agent, or Firm* — Manabu Kanesaka

(57) **CLAIM**

The ornamental design for a card connector, as shown and described.

DESCRIPTION

FIG. 1 is a front elevational view of a card connector showing my new design;

FIG. 2 is a rear elevational view thereof;

FIG. 3 is a right side elevational view thereof;

FIG. 4 is a left side elevational view thereof;

FIG. 5 is a top plan view thereof;

FIG. 6 is a bottom plan view thereof;

FIG. 7 is a perspective view showing a front, top and right side thereof;

FIG. 8 is a perspective view showing a rear, bottom and left side thereof;

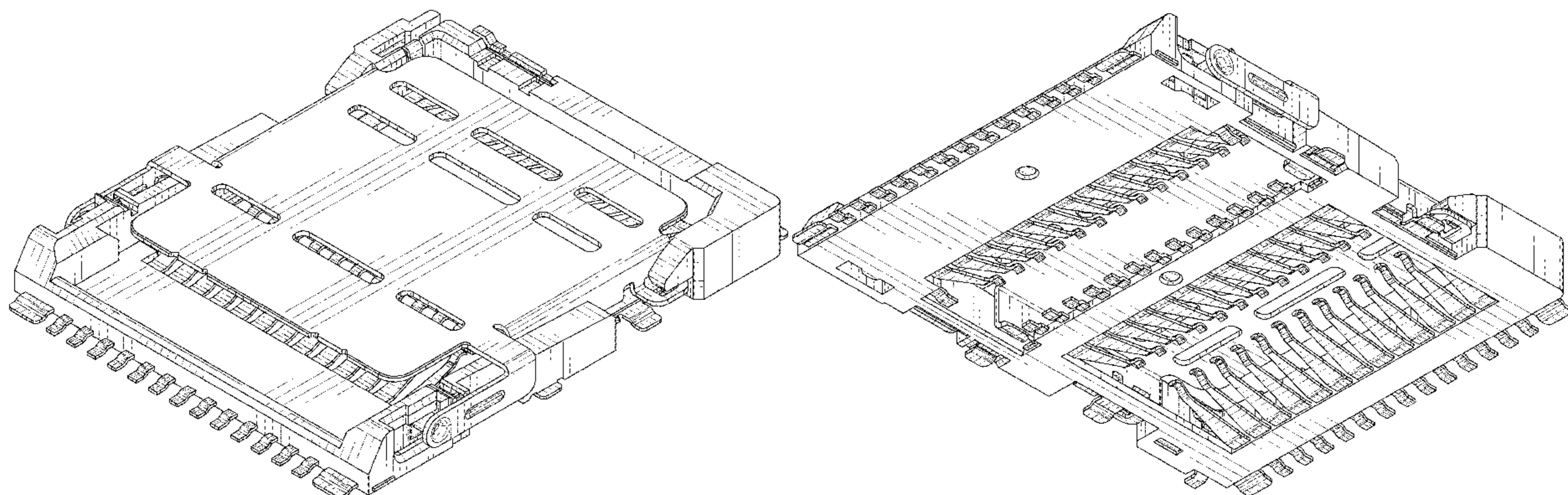
FIG. 9 is a perspective view showing a front, right and bottom side thereof;

FIG. 10 is a perspective view showing a rear, left and top side thereof; and,

FIG. 11 is a perspective view showing an open state thereof wherein a cover is open.

The broken line showing of the card connector is for the purpose of illustrating portions of the article and forms no part of the claimed design.

1 Claim, 9 Drawing Sheets



(56)

References Cited

U.S. PATENT DOCUMENTS

2010/0184335 A1* 7/2010 Yu H01R 13/629
439/630
2011/0008985 A1* 1/2011 Matsumoto H01R 27/00
439/329
2016/0254606 A1* 9/2016 Hu H01R 12/57
439/632
2016/0359247 A1* 12/2016 Hirata G06K 7/0056
2017/0012376 A1* 1/2017 Nakase G06K 7/0021
2017/0047958 A1* 2/2017 Wang H01R 13/713
2020/0006875 A1* 1/2020 Nakamura H01R 13/502
2020/0074248 A1* 3/2020 Zhao G06K 13/0831
2020/0153132 A1* 5/2020 Guo H01R 13/631

OTHER PUBLICATIONS

Card Connectors—Foreign Patents. (Design—© Questel) orbit.com. [Online PDF compilation of references selected by examiner] 17 pgs. Print Dates Range Jun. 27, 2012-Mar. 2, 2016. [Retrieved Jan. 17, 2021] <https://www.orbit.com/export/UCZAH96B/pdf4/4264c3fd-3bcb-4204-a9b3-718aaa157d8-224520.pdf> (Year: 2016).*

* cited by examiner

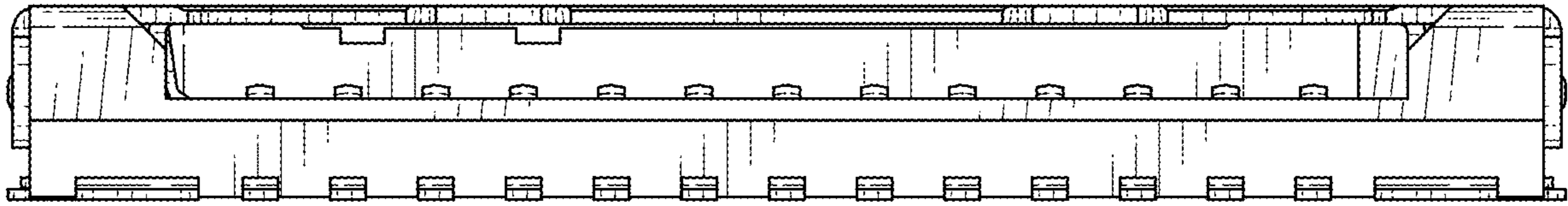


FIG. 1

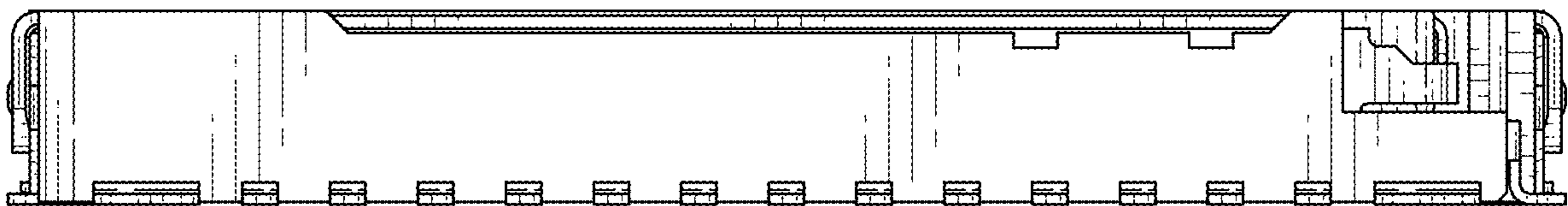


FIG. 2

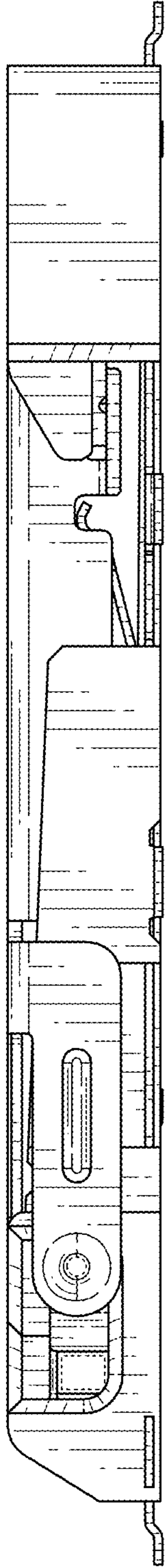


FIG. 3

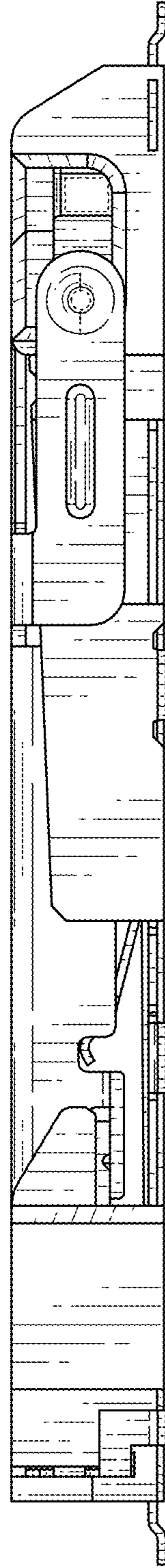


FIG. 4

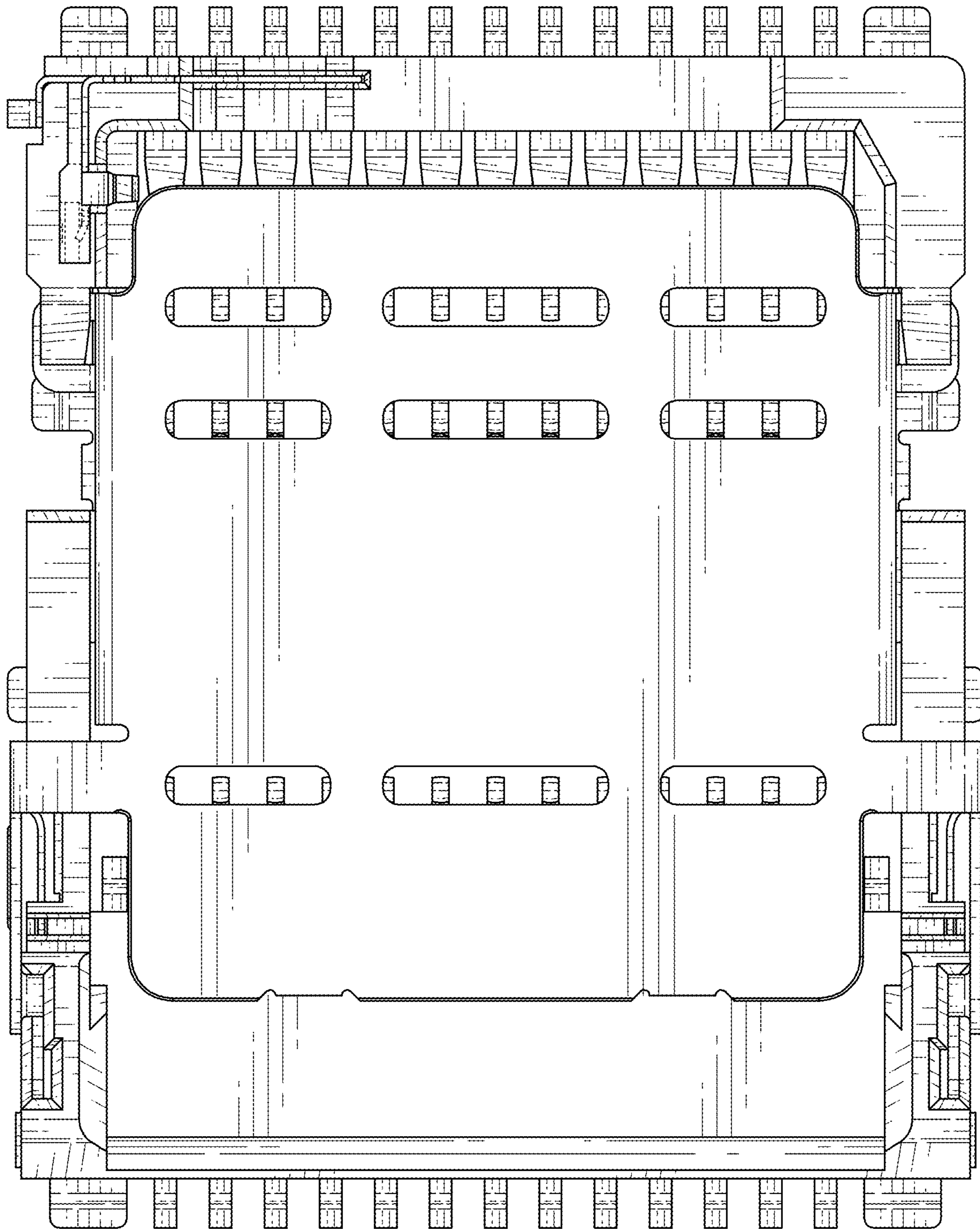


FIG. 5

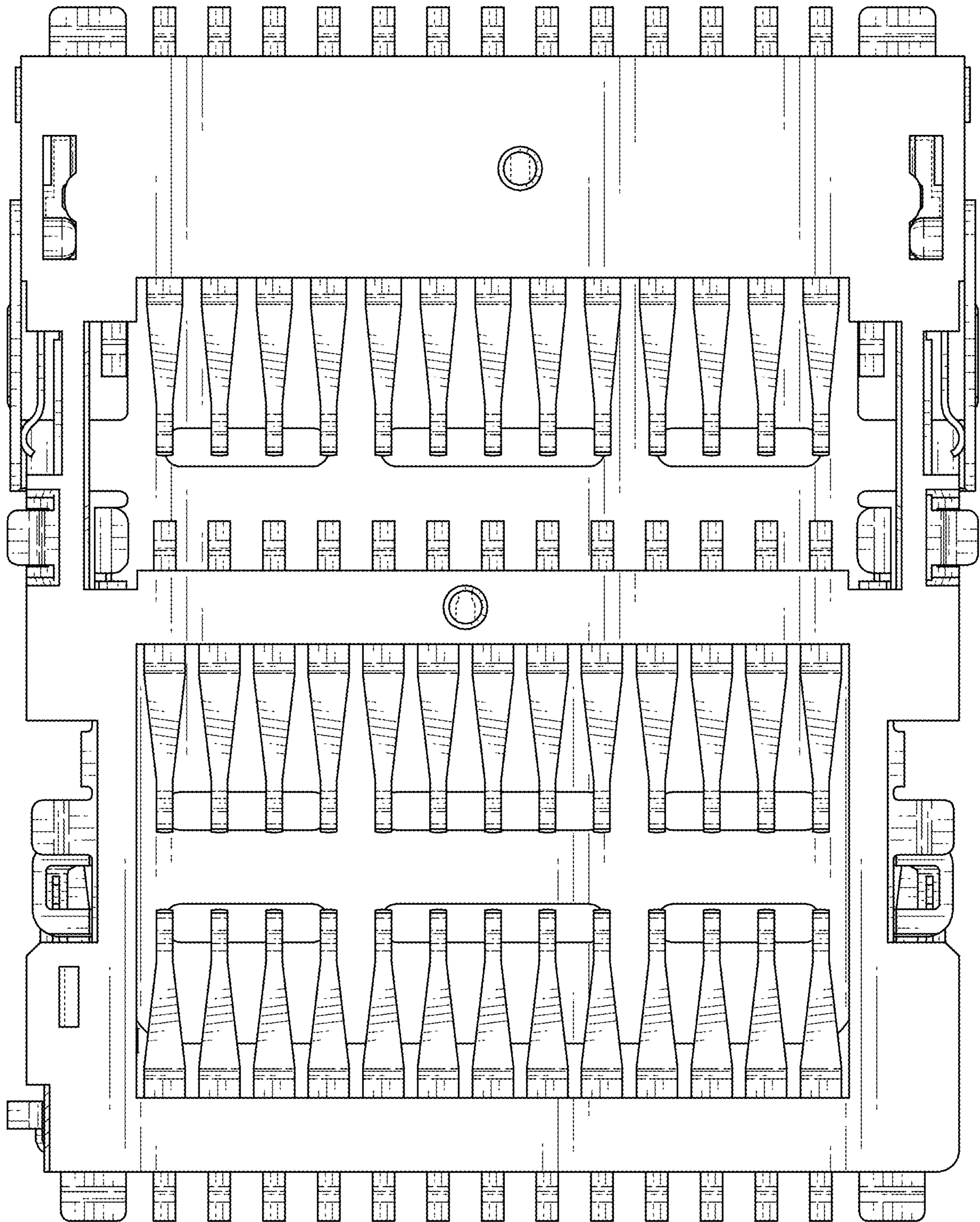


FIG. 6

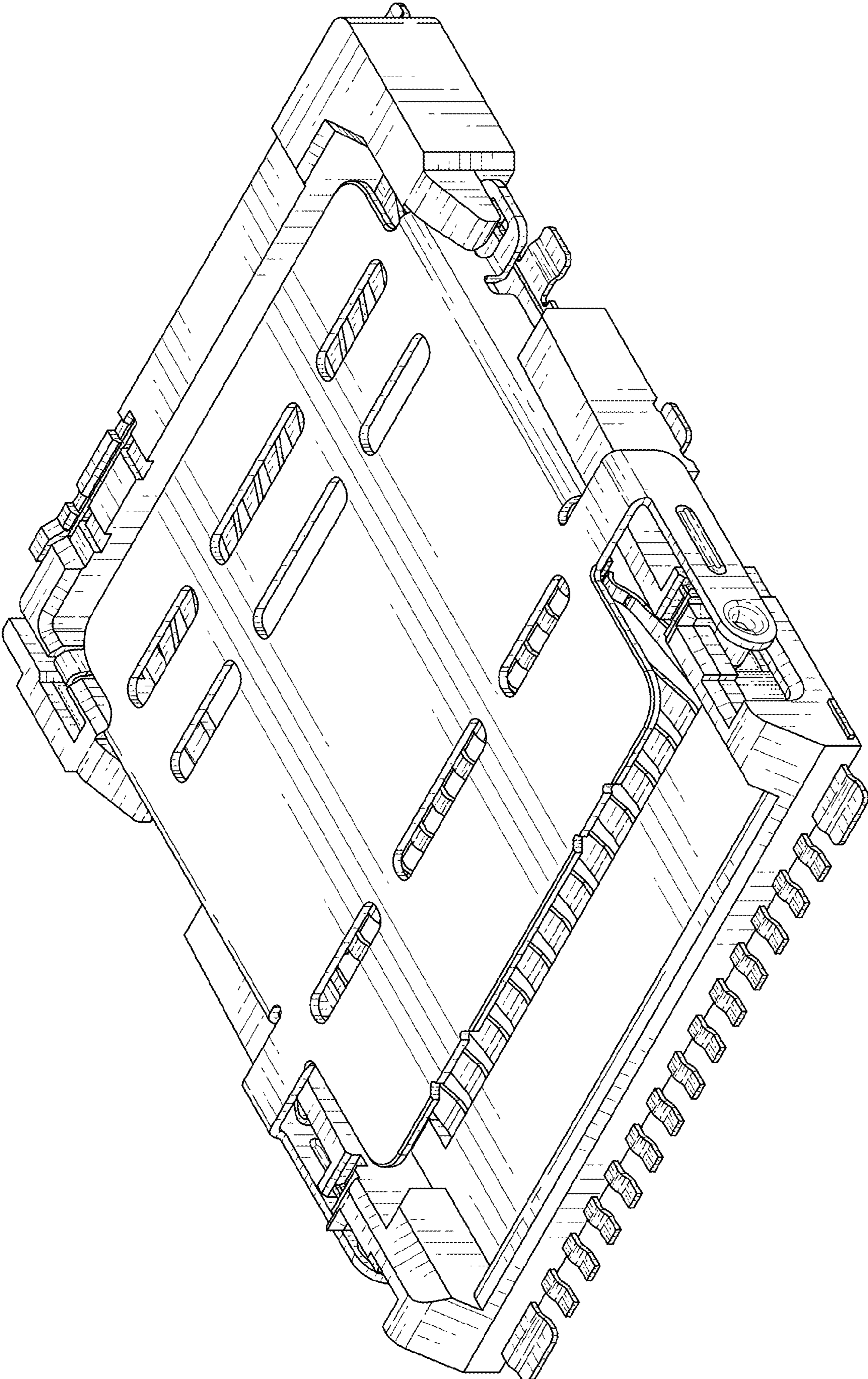


FIG. 7

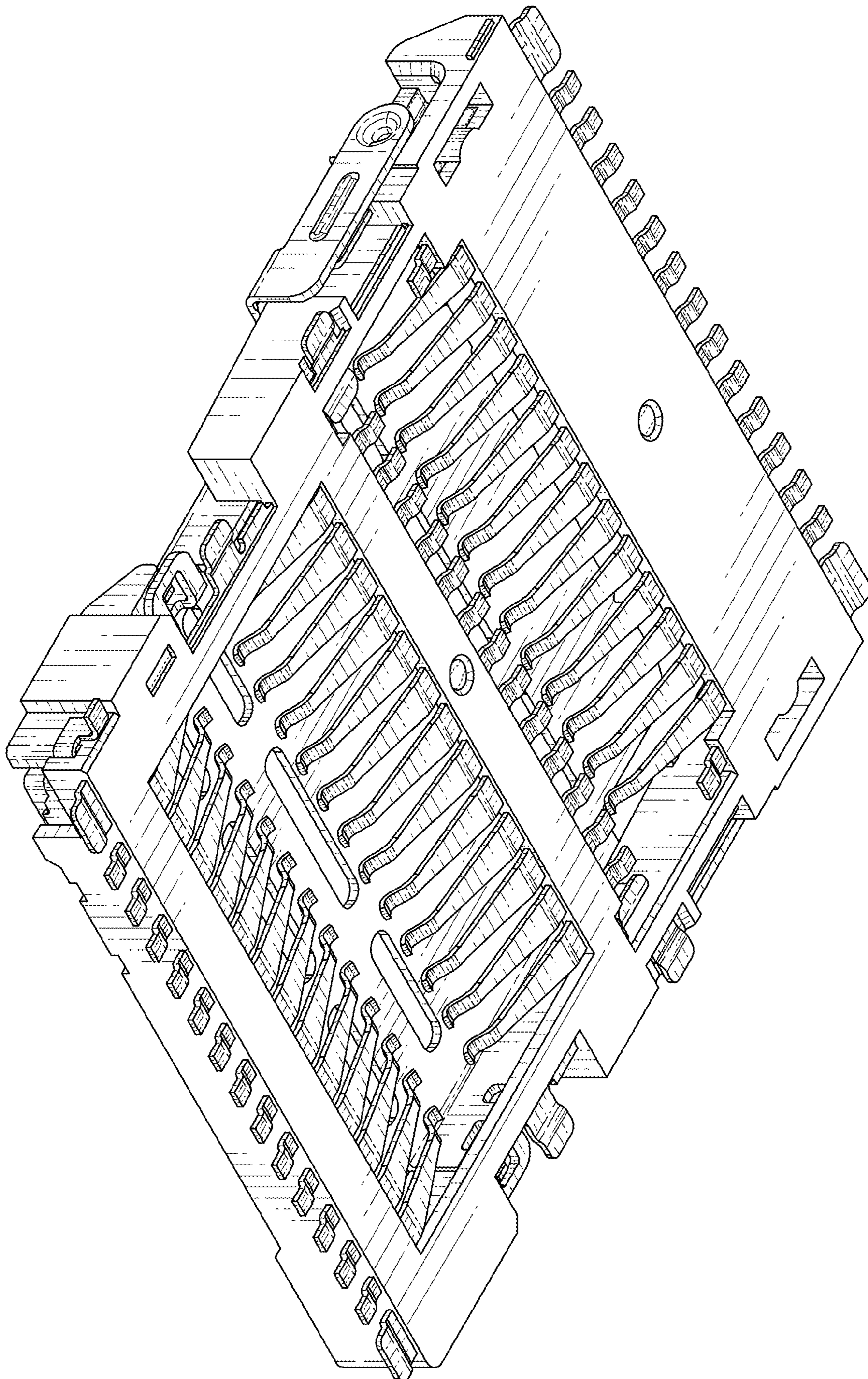


FIG. 8

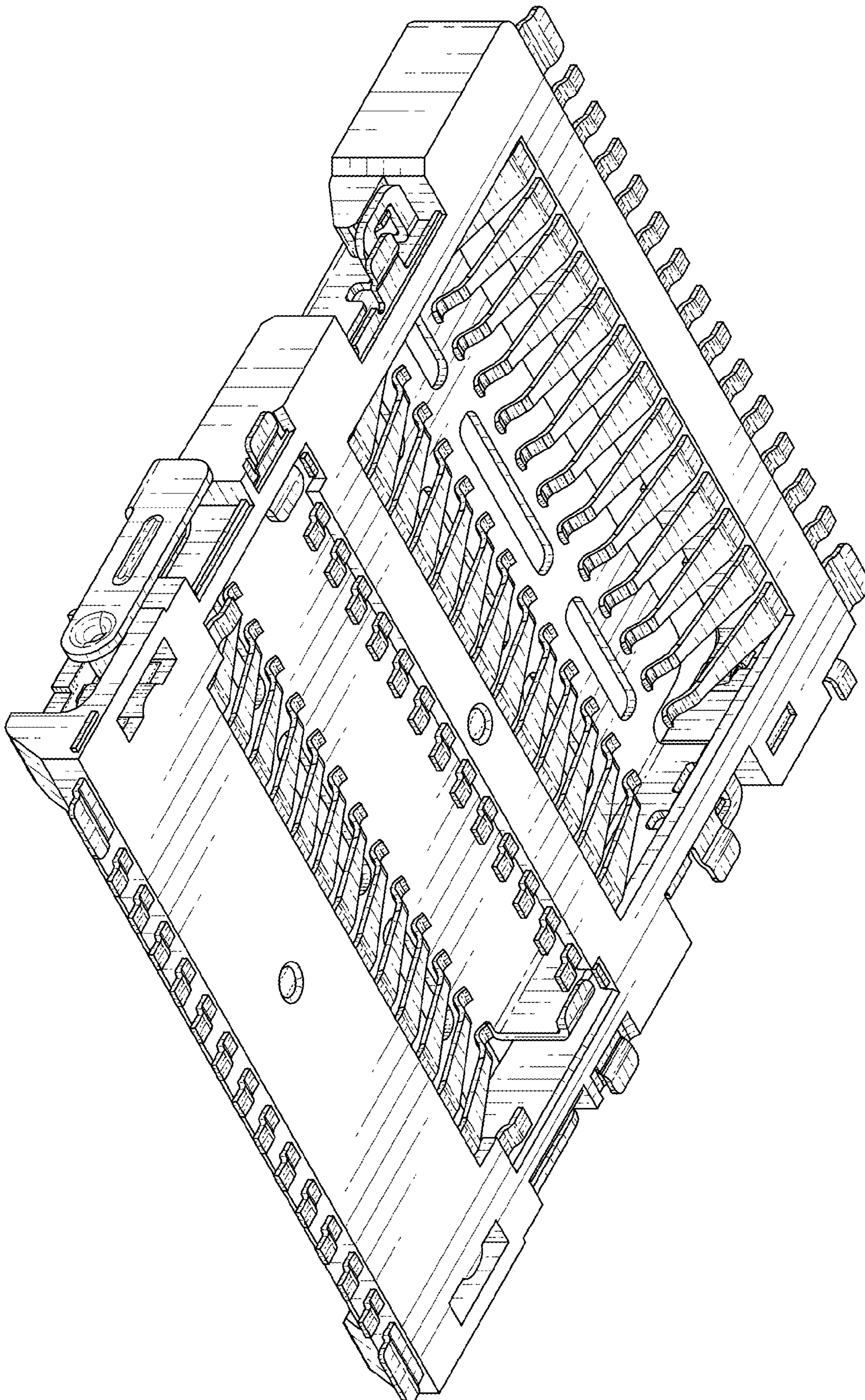


FIG. 9

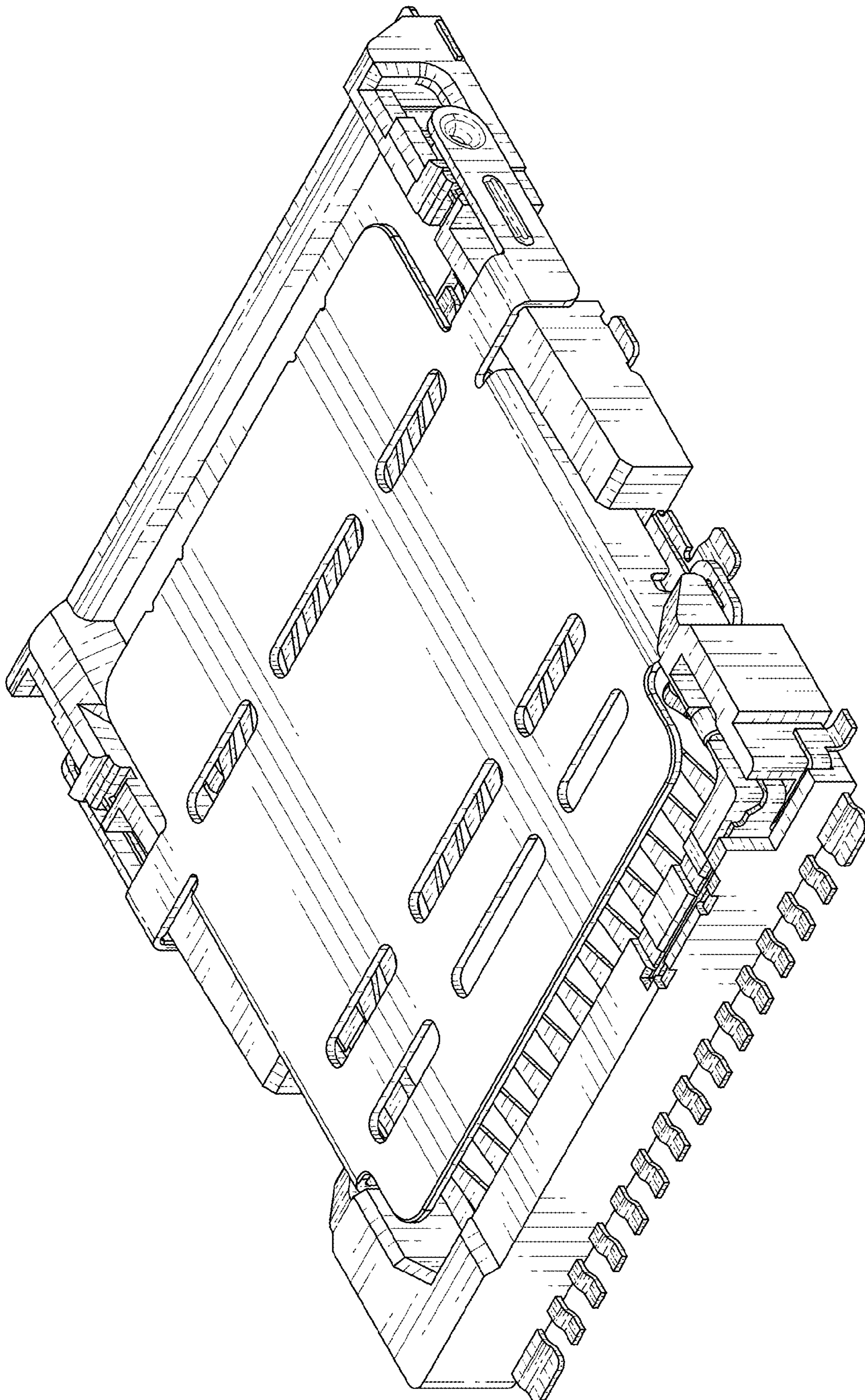


FIG. 10

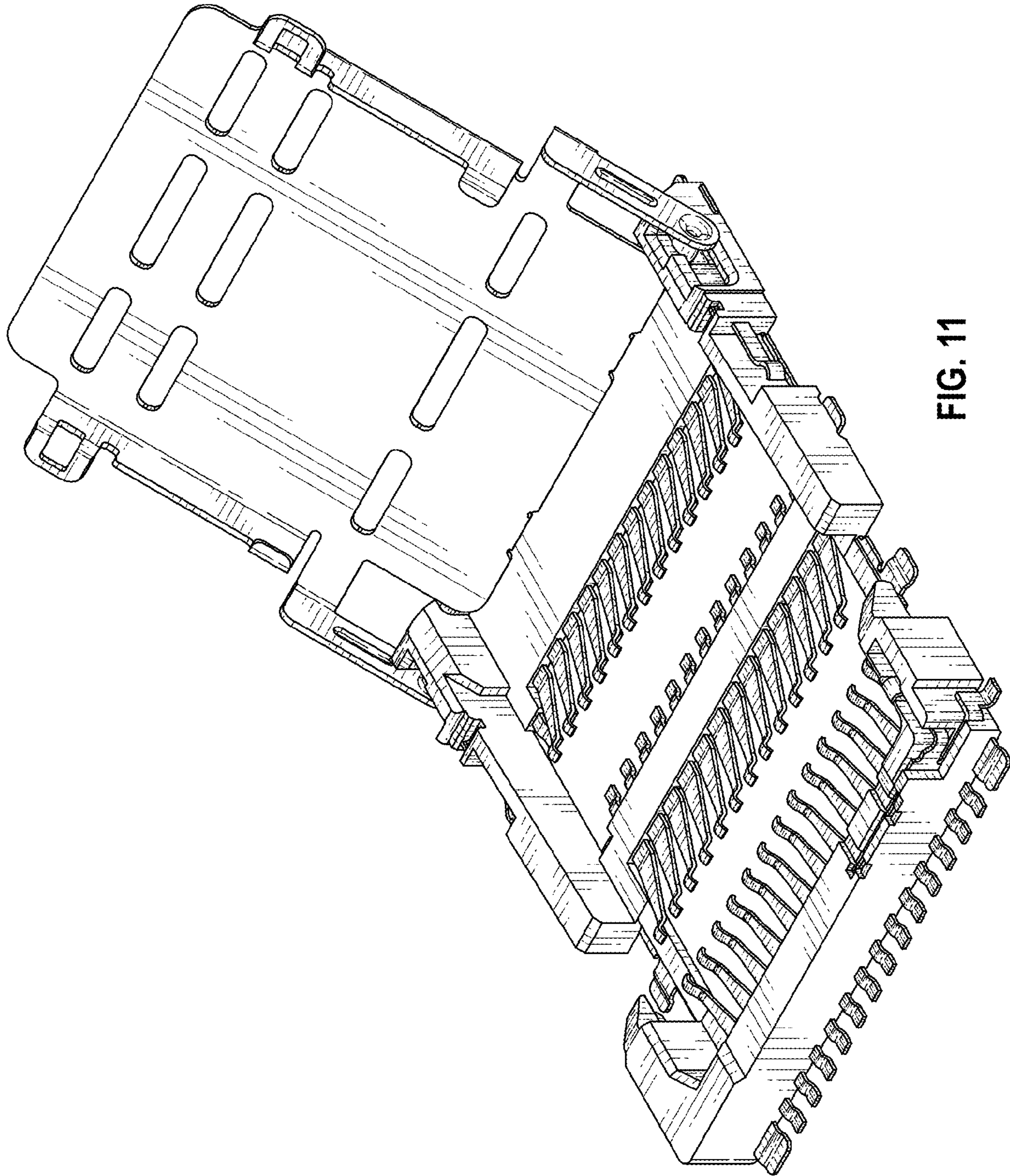


FIG. 11