

US00D928094S

(12) **United States Design Patent** (10) **Patent No.:** **US D928,094 S**  
**Chen** (45) **Date of Patent:** **\*\* Aug. 17, 2021**

(54) **MOTORCYCLE USB TYPE C CHARGER**  
 (71) Applicant: **Tang Yang Dies Co. Ltd.**, New Taipei (TW)  
 (72) Inventor: **Hsu-Chen Chen**, New Taipei (TW)  
 (73) Assignee: **TANG YANG DIES CO. LTD.**, New Taipei (TW)  
 (\*\*) Term: **15 Years**  
 (21) Appl. No.: **29/717,800**  
 (22) Filed: **Dec. 19, 2019**  
 (51) **LOC (13) Cl.** ..... **13-03**  
 (52) **U.S. Cl.**  
 USPC ..... **D13/144**; D13/108; D12/114  
 (58) **Field of Classification Search**  
 USPC ..... D13/103, 107, 108, 110, 118, 119, 133, D13/144, 146, 153, 154, 156; D12/114; D14/432, 433, 434, 435.1, 439, 480.1, D14/408.5, 480.6, 480.7  
 CPC ..... H01R 12/592; H01R 13/62; H01R 13/46  
 See application file for complete search history.

(56) **References Cited**

**U.S. PATENT DOCUMENTS**

4,405,890	A *	9/1983	Hicks, Jr.	.....	F02P 19/00
					219/268
D631,837	S *	2/2011	Smith	.....	D13/108
D652,384	S *	1/2012	Lee	.....	D13/144
D775,591	S *	1/2017	Davidson, Jr.	.....	D13/153
D821,641	S *	6/2018	Watson	.....	D27/194
D828,813	S *	9/2018	Liu	.....	D13/144
D860,951	S *	9/2019	Hu	.....	D13/144
D889,321	S *	7/2020	Cheng	.....	D12/114
2009/0002977	A1 *	1/2009	Arnold, III	.....	F21L 4/085
					362/183
2009/0193169	A9 *	7/2009	Guenter	.....	G01F 23/14
					710/305

2012/0176083	A1 *	7/2012	Chang	.....	H02J 7/0042
					320/107
2016/0301176	A1 *	10/2016	Mathews	.....	H02J 7/0042
2017/0094637	A1 *	3/2017	Del Toro	.....	H04M 1/72412

**OTHER PUBLICATIONS**

“Clenna Powerlet Plug”. Found online Feb. 26, 2021 amazon.com. Reference dated Mar. 4, 2019. Retrieved from <https://www.amazon.com/Clenna-Powerlet-Charger-Voltmeter-Motorcycle/dp/B07PD12XT8>. (Year: 2019).\*

“BMW Plug”. Found online Feb. 26, 2021 tracer900.net. Reference dated Jun. 17, 2019. Retrieved from <https://www.tracer900.net/topic/7426-bmw-plug/> (Year: 2019).\*

“iMESTOU DIN Hella Powerlet Plug”. Found online Feb. 26, 2021 amazon.com. Reference dated Sep. 3, 2019. Retrieved from [https://www.amazon.com/Aluminium-Delivery-Powerlet-Motorcycle-Waterproof/dp/B07W19BGHP/ref=psdc\\_15729631\\_t2\\_B07ZBQHBZS?th=1](https://www.amazon.com/Aluminium-Delivery-Powerlet-Motorcycle-Waterproof/dp/B07W19BGHP/ref=psdc_15729631_t2_B07ZBQHBZS?th=1). (Year: 2019).\*

\* cited by examiner

*Primary Examiner* — Kendra Leslie Hamilton  
*Assistant Examiner* — Amanda Christensen  
 (74) *Attorney, Agent, or Firm* — McCormick, Paulding & Huber PLLC

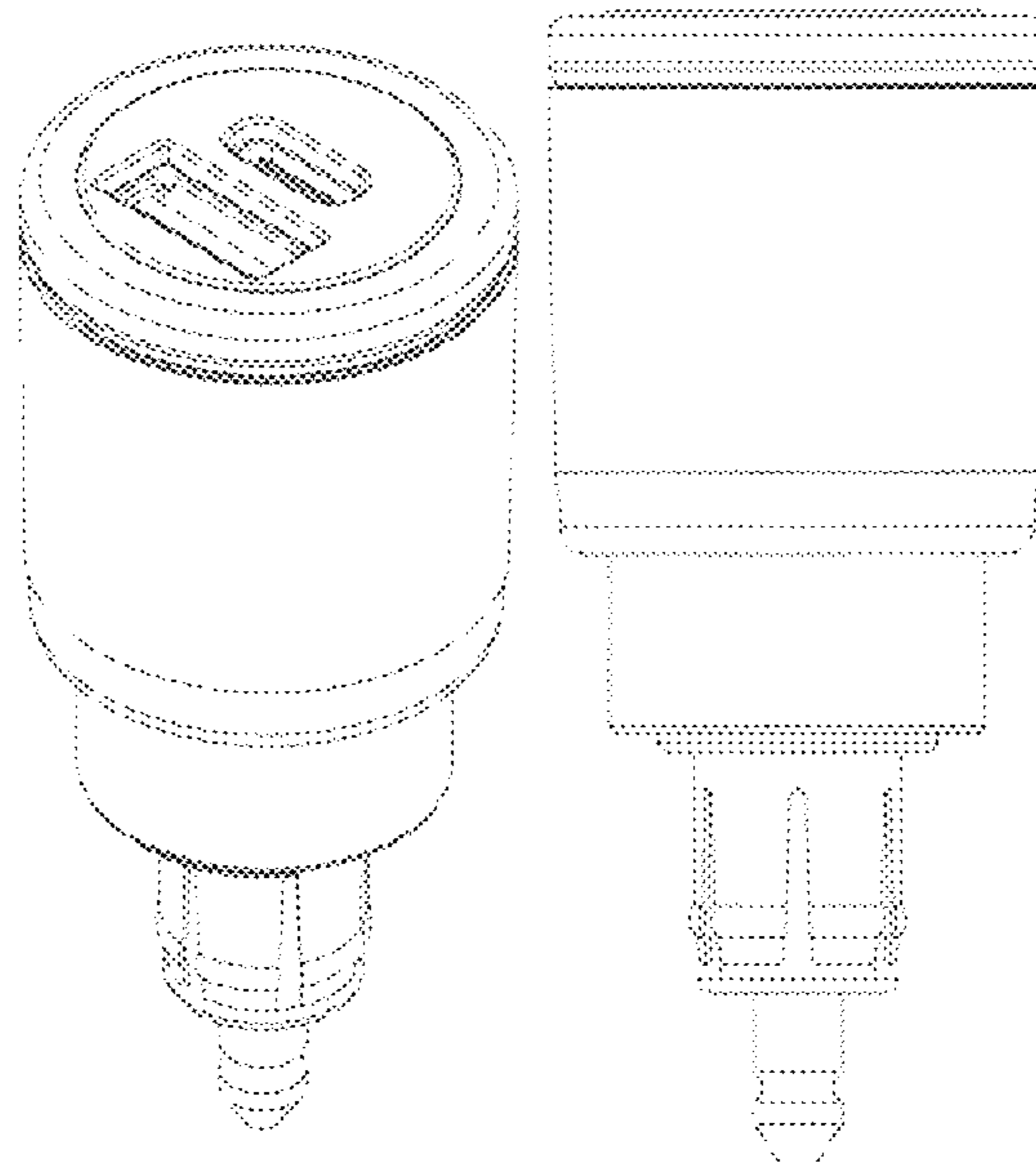
(57) **CLAIM**

The ornamental design for a motorcycle USB type C charger, substantially as shown and described.

**DESCRIPTION**

FIG. 1 is a top, front, right side perspective view of a motorcycle USB type-C charger, showing my new design; FIG. 2 is a top plan view thereof; FIG. 3 is a bottom plan view thereof; FIG. 4 is a front elevation view thereof; FIG. 5 is a rear elevation view thereof; FIG. 6 is a right side elevation view thereof; and, FIG. 7 is a left side elevation view thereof.

**1 Claim, 7 Drawing Sheets**



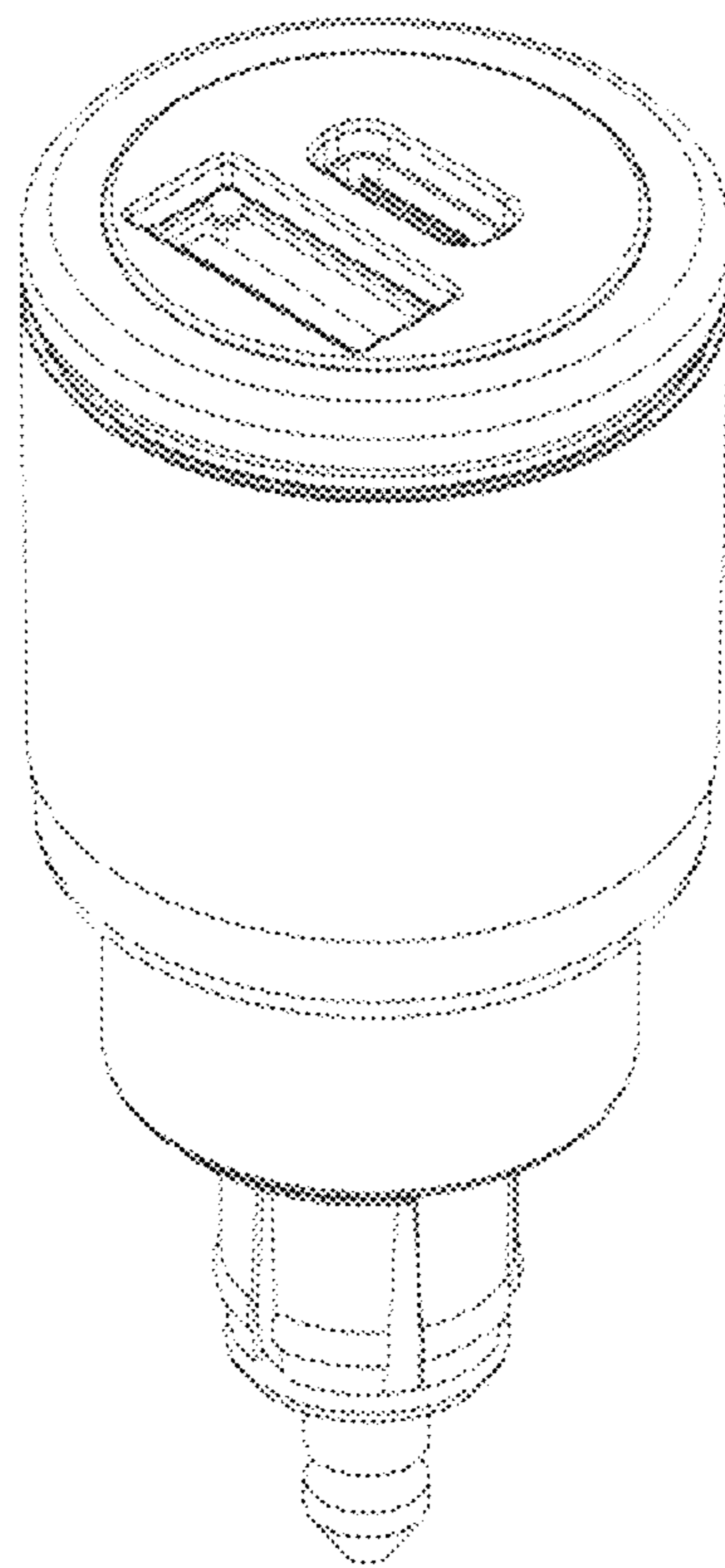


FIG. 1

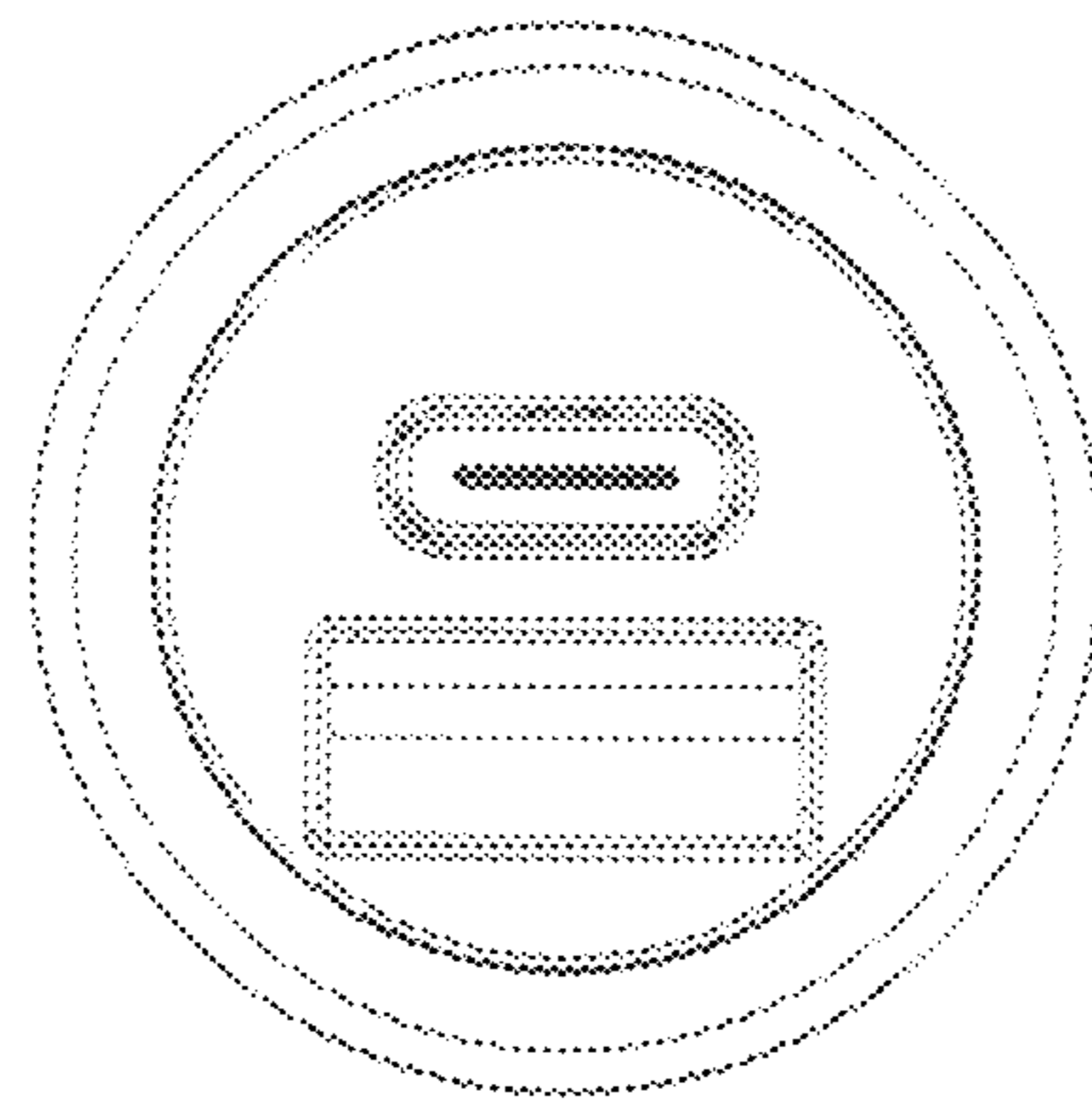


FIG. 2

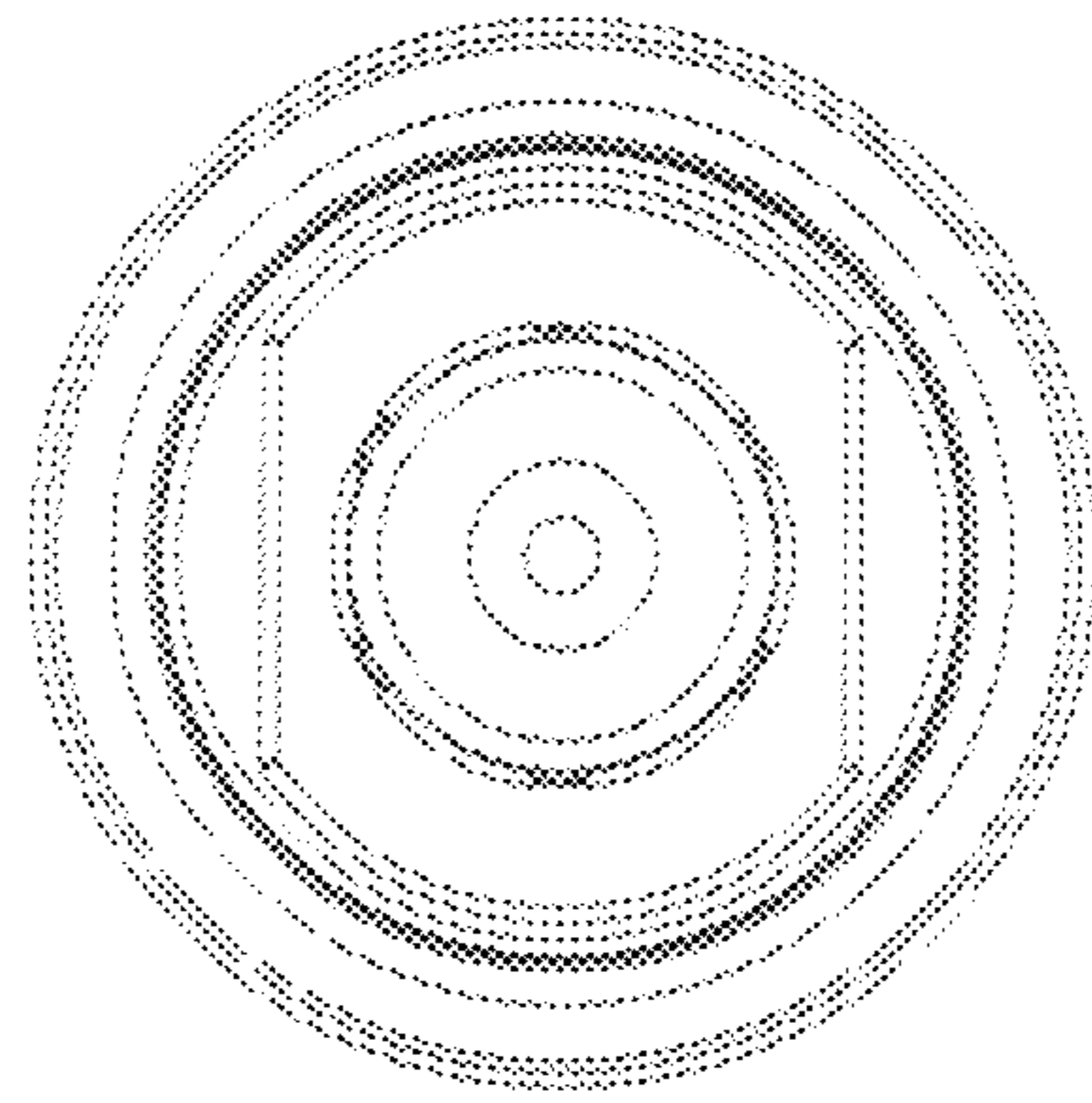


FIG. 3

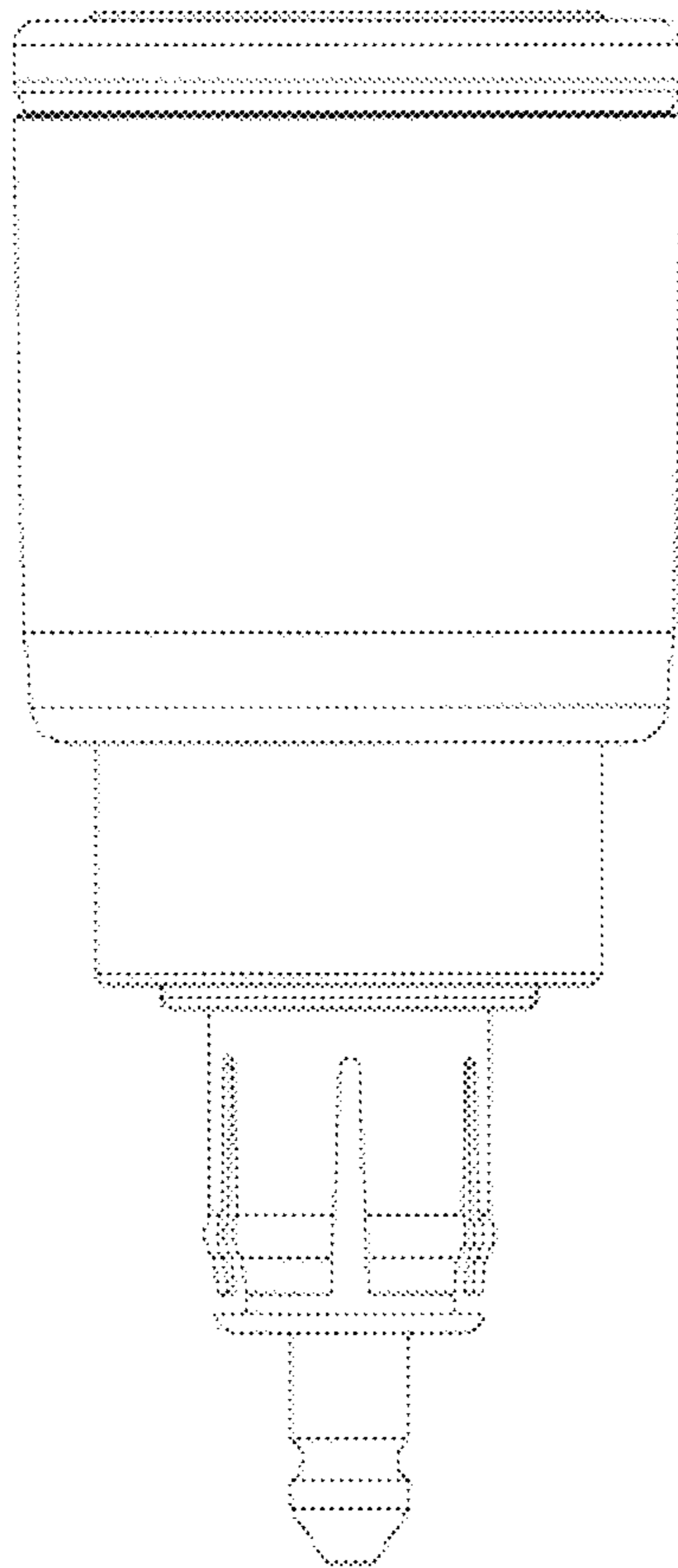


FIG. 4

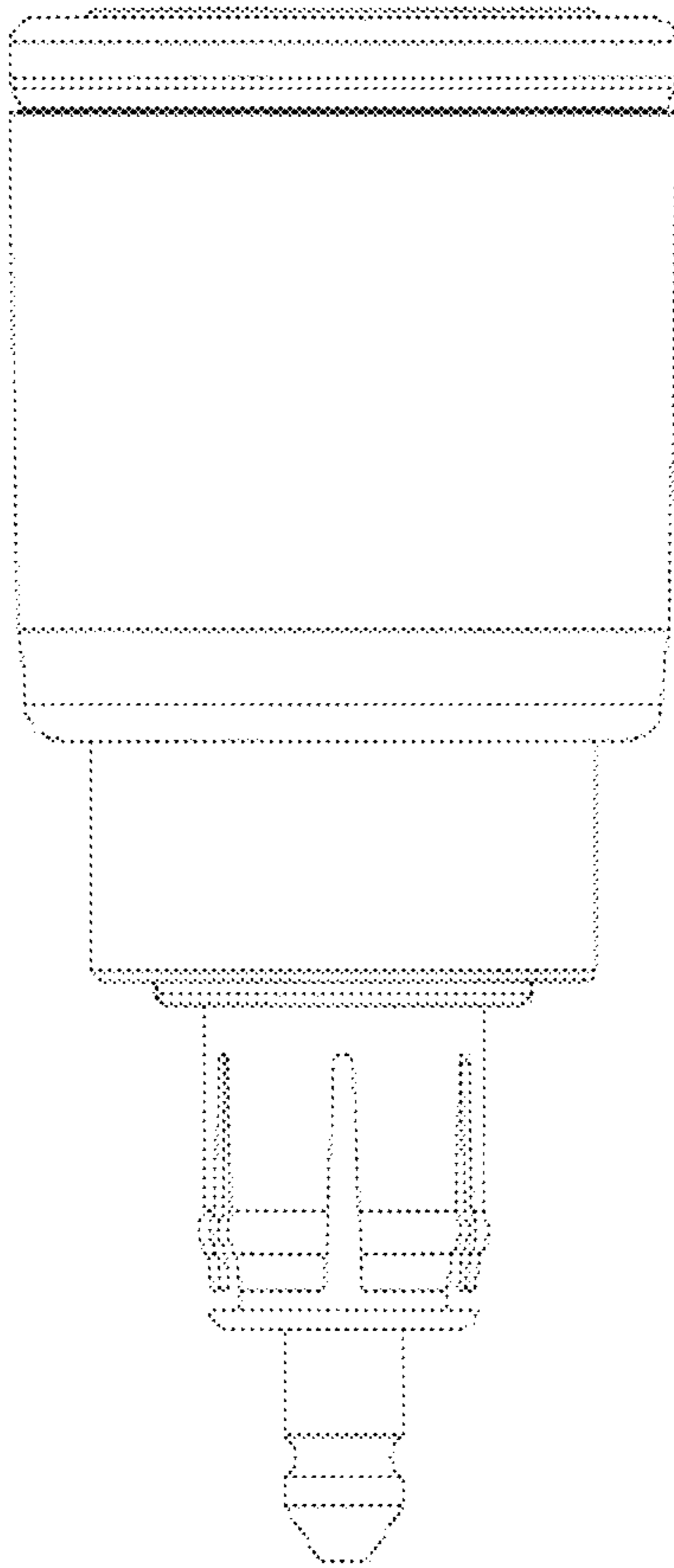


FIG. 5

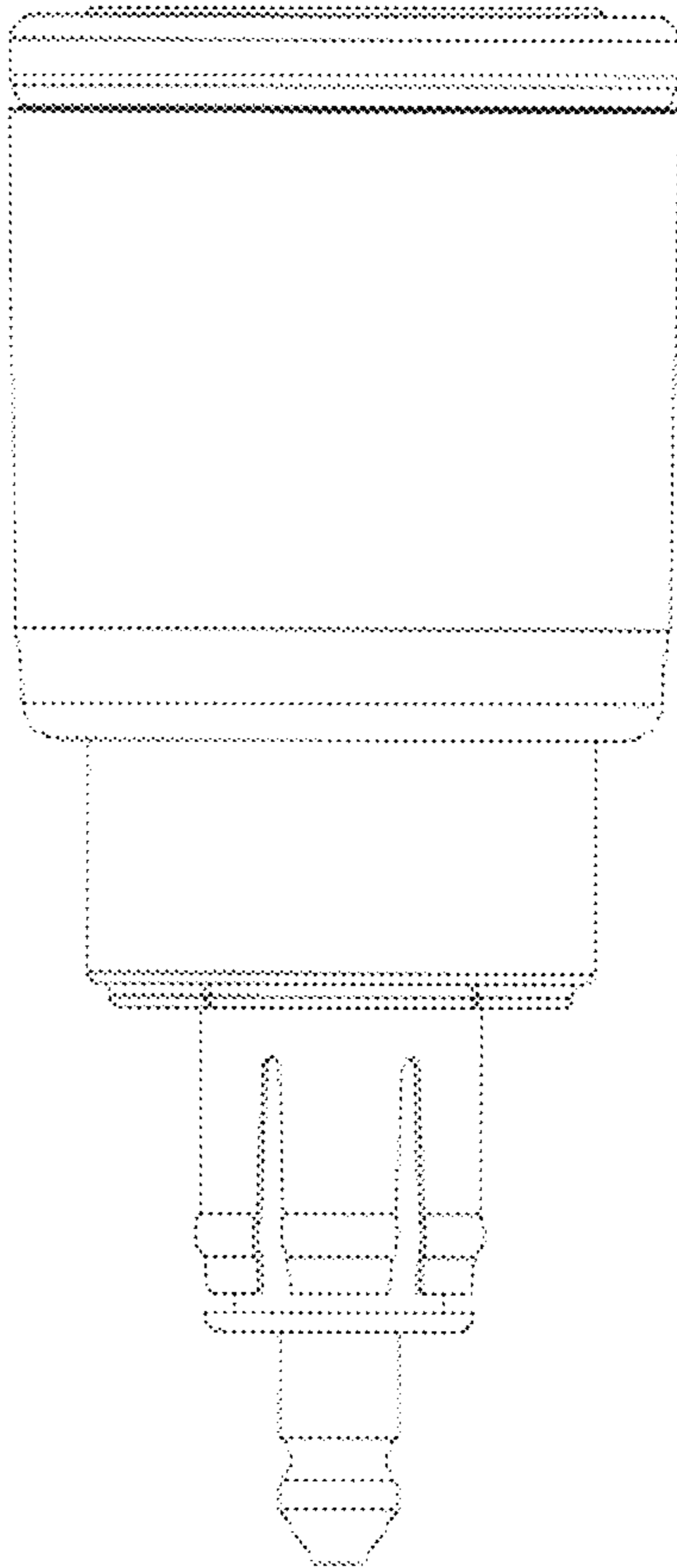


FIG. 6

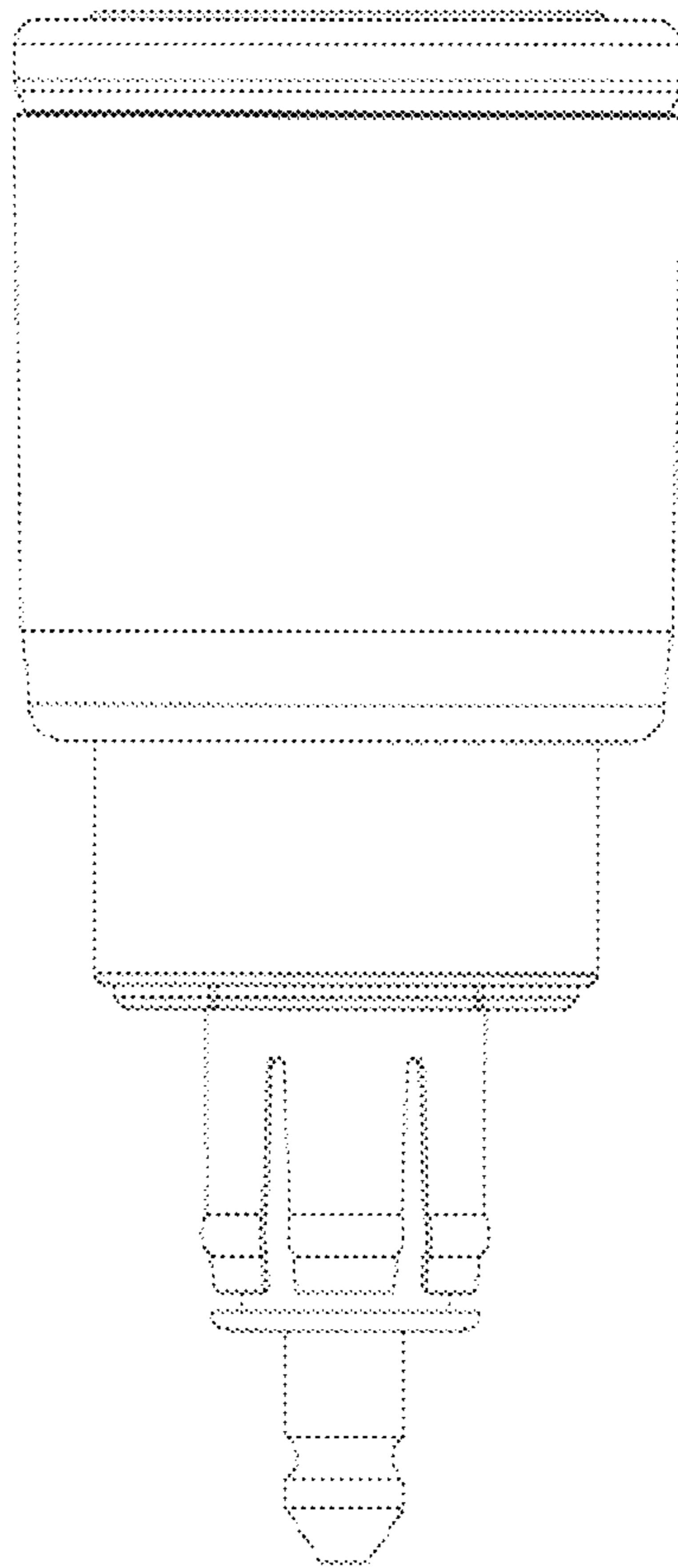


FIG. 7