



US00D928093S

(12) **United States Design Patent**  
**Byrne et al.**

(10) **Patent No.:** **US D928,093 S**  
(45) **Date of Patent:** **\*\* Aug. 17, 2021**

(54) **PORTABLE POWER AND DATA RECEPTACLE FOR FURNITURE**

(71) Applicants: **Norman R. Byrne**, Ada, MI (US);  
**Joseph D. Ward**, Grand Rapids, MI (US)

(72) Inventors: **Norman R. Byrne**, Ada, MI (US);  
**Joseph D. Ward**, Grand Rapids, MI (US)

(\*\*) Term: **15 Years**

(21) Appl. No.: **29/605,930**

(22) Filed: **May 31, 2017**

(51) **LOC (13) Cl.** ..... **13-03**

(52) **U.S. Cl.**

USPC ..... **D13/139.4**

(58) **Field of Classification Search**

USPC .... D13/107-110, 137.1-137.4, 138.1-138.2,  
D13/139.1-139.8, 149-157, 199, 133,  
(Continued)

(56) **References Cited**

**U.S. PATENT DOCUMENTS**

D279,185 S \* 6/1985 Felix ..... D14/251  
5,351,173 A 9/1994 Byrne  
(Continued)

**OTHER PUBLICATIONS**

Couchlet: Power Up Your Sofa, Indiegogo, downloaded from www.indiegogo.com/projects/couchlet-power-up-your-sofa-usb#, Oct. 11, 2016.

(Continued)

*Primary Examiner* — Christy Nemeth

(74) *Attorney, Agent, or Firm* — Gardner, Linn, Burkhardt & Ondersma LLP

(57) **CLAIM**

The ornamental design for a portable power and data receptacle for furniture, as shown and described.

**DESCRIPTION**

FIG. 1 is a top, front perspective view of a portable power and data receptacle for furniture showing our new design, according to a first embodiment;  
FIG. 2 is a bottom, rear perspective view thereof;  
FIG. 3 is a top plan view thereof;  
FIG. 4 is a front elevation thereof;  
FIG. 5 is a bottom plan view thereof;  
FIG. 6 is a rear elevation thereof;  
FIG. 7 is a left side elevation thereof;  
FIG. 8 is a right side elevation thereof;  
FIG. 9 is a top, front perspective view of another portable power and data receptacle for furniture showing our new design, according to a second embodiment, shown in a straight configuration;  
FIG. 10 is a bottom, rear perspective view thereof;  
FIG. 11 is a top plan view thereof;  
FIG. 12 is a front elevation thereof;  
FIG. 13 is a bottom plan view thereof;  
FIG. 14 is a rear elevation thereof;  
FIG. 15 is a left side elevation thereof;  
FIG. 16 is a right side elevation thereof;  
FIG. 17 is another top, front perspective view of the portable power and data receptacle for furniture of FIG. 9, shown in a bent configuration;  
FIG. 18 is a bottom, rear perspective view thereof;  
FIG. 19 is a top plan view thereof;  
FIG. 20 is a front elevation thereof;  
FIG. 21 is a bottom plan view thereof;  
FIG. 22 is a rear elevation thereof;  
FIG. 23 is a left side elevation thereof;  
FIG. 24 is a right side elevation thereof;  
FIG. 25 is a top, front perspective view of the portable power and data receptacle for furniture of FIG. 1 with symbolic break lines omitted;  
FIG. 26 is a top, front perspective view of the portable power and data receptacle for furniture of FIG. 9 with symbolic break lines omitted; and,

(Continued)

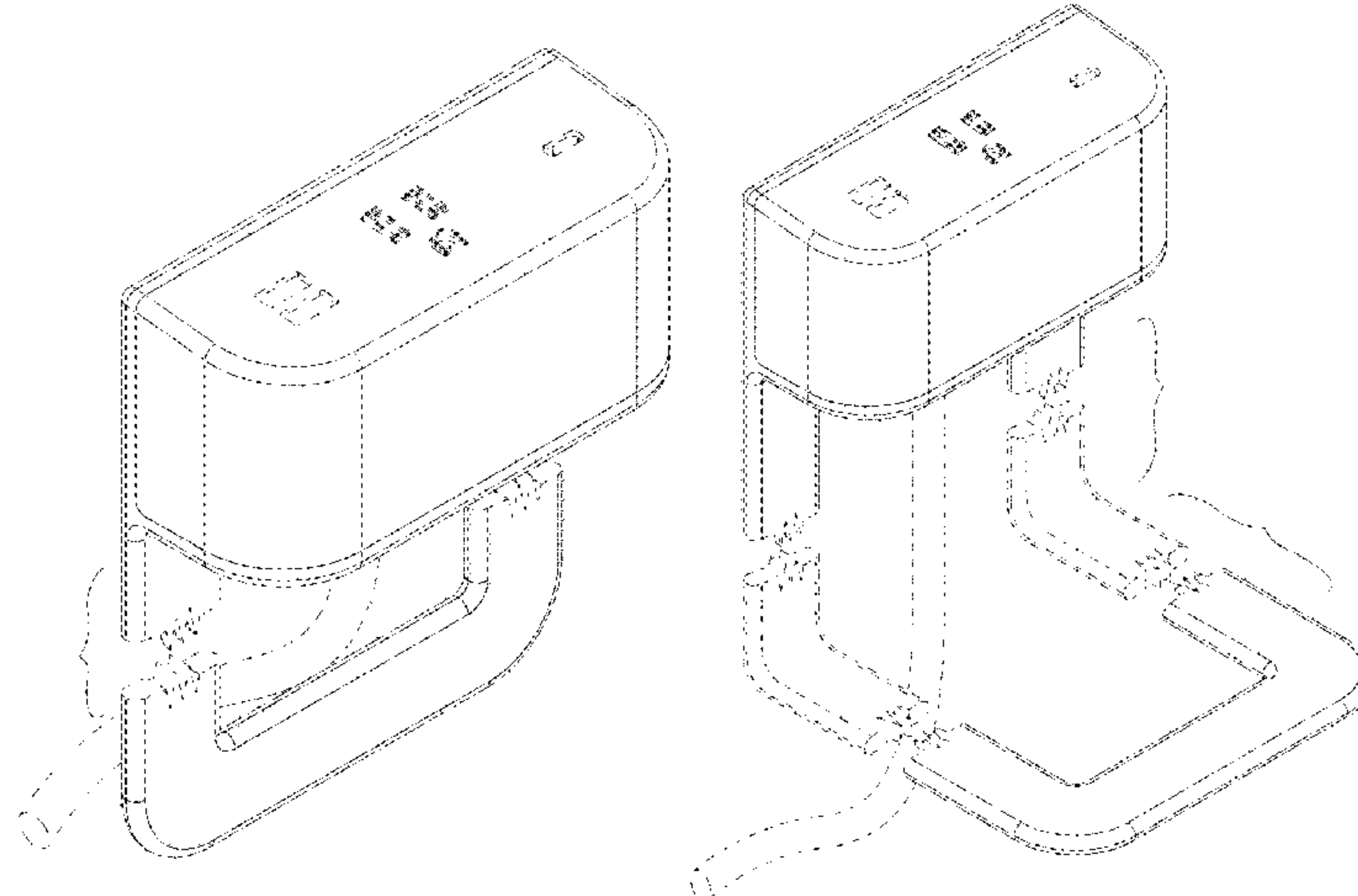


FIG. 27 is a top, front perspective view of the portable power and data receptacle for furniture of FIG. 17 with symbolic break lines omitted.

The portable power and data receptacle for furniture is shown with a symbolic break along its length in FIGS. 1, 2, 4, 6-10, 12, and 14-24. The appearance of any portion of the portable power and data receptacle for furniture between the symbolic break lines forms no part of the claimed design. The broken lines in the drawings are for the purpose of illustrating portions of the article that form no part of the claimed design.

**1 Claim, 13 Drawing Sheets**

**(58) Field of Classification Search**

USPC ..... D13/139.4; D14/432, 433, 435.1;  
D8/350, 353-356  
CPC .... H01R 25/00; H01R 25/003; H01R 25/006;  
H01R 11/00; H01R 9/00; H01R 13/5845;  
H01R 13/72; H01R 13/46; H01R 31/06;  
H01R 24/28; H02J 2007/0062; H01B  
7/2806; A61F 2/962

See application file for complete search history.

**(56) References Cited**

**U.S. PATENT DOCUMENTS**

6,089,892	A	7/2000	Snow et al.	
6,486,407	B1	11/2002	Hawker et al.	
6,540,554	B2	4/2003	McCarthy	
7,083,421	B1	8/2006	Mori	
D568,817	S	5/2008	Yu	
7,442,090	B2	10/2008	Mori et al.	
7,488,203	B2	2/2009	Ledduisire	
7,557,297	B2	7/2009	Axland et al.	
7,625,241	B2	12/2009	Axland et al.	
7,625,242	B2	12/2009	Axland et al.	
7,626,119	B2	12/2009	Axland et al.	
7,645,169	B2	1/2010	Axland et al.	
7,731,540	B2	6/2010	Mori et al.	
D626,071	S	10/2010	Su et al.	
D628,157	S	11/2010	Su et al.	
7,938,679	B2	5/2011	Wadsworth et al.	
D642,519	S *	8/2011	Woo .....	D13/108
D642,529	S	8/2011	Su et al.	
8,058,839	B2	11/2011	Saw	
D652,834	S *	1/2012	Jones .....	D14/434

D655,293	S *	3/2012	Gioscia .....	D14/434
D667,012	S *	9/2012	Chen .....	D14/447
8,292,657	B2	10/2012	Singh	
8,295,036	B2	10/2012	Byrne	
8,330,041	B2	12/2012	Axland et al.	
D682,789	S	5/2013	Au	
D684,963	S *	6/2013	Goodrich .....	D14/253
D690,708	S *	10/2013	Smith .....	D14/447
D691,953	S	10/2013	Chayer	
D693,314	S *	11/2013	McKeage .....	D13/162
D711,885	S *	8/2014	Ohshima .....	D14/434
8,920,191	B2	12/2014	Carpanzano	
8,951,054	B2	2/2015	Byrne et al.	
9,148,006	B2 *	9/2015	Byrne .....	H02G 3/18
9,257,803	B2	2/2016	Alagna et al.	
9,373,921	B1	6/2016	Lin	
D772,812	S *	11/2016	Choe .....	D13/108
D782,411	S *	3/2017	Mischke .....	D13/108
D800,134	S *	10/2017	McDonald .....	D14/447
D801,922	S *	11/2017	Morenstein .....	D13/108
D811,337	S *	2/2018	Byrne .....	D13/137.2
D816,027	S *	4/2018	Chen .....	D13/108
D816,647	S *	5/2018	Li .....	D14/240
D827,579	S *	9/2018	Byrne .....	D13/139.4
D840,347	S *	2/2019	Byrne .....	D13/139.4
D845,896	S *	4/2019	Hu .....	D13/108
D848,371	S *	5/2019	Byrne .....	D13/139.4
D849,686	S *	5/2019	Byrne .....	D13/137.2
D853,326	S *	7/2019	Jun .....	D13/108
D856,284	S *	8/2019	Byrne .....	D13/139.4
D859,308	S *	9/2019	Connell .....	D13/108
D874,404	S *	2/2020	Byrne .....	D13/139.4
10,581,209	B2 *	3/2020	Byrne .....	H01R 13/72
2004/0261175	A1	12/2004	May	
2005/0106933	A1	5/2005	Yap	
2007/0087604	A1	4/2007	Hayes et al.	
2011/0215759	A1	9/2011	Lee et al.	
2013/0291304	A1	11/2013	Steinberg	
2013/0333940	A1	12/2013	Stencil	
2016/0226279	A1	8/2016	Anderson	
2016/0242564	A1	8/2016	Cass	
2018/0358762	A1 *	12/2018	Byrne .....	H01R 13/72
2018/0358765	A1 *	12/2018	Byrne .....	H02J 7/00

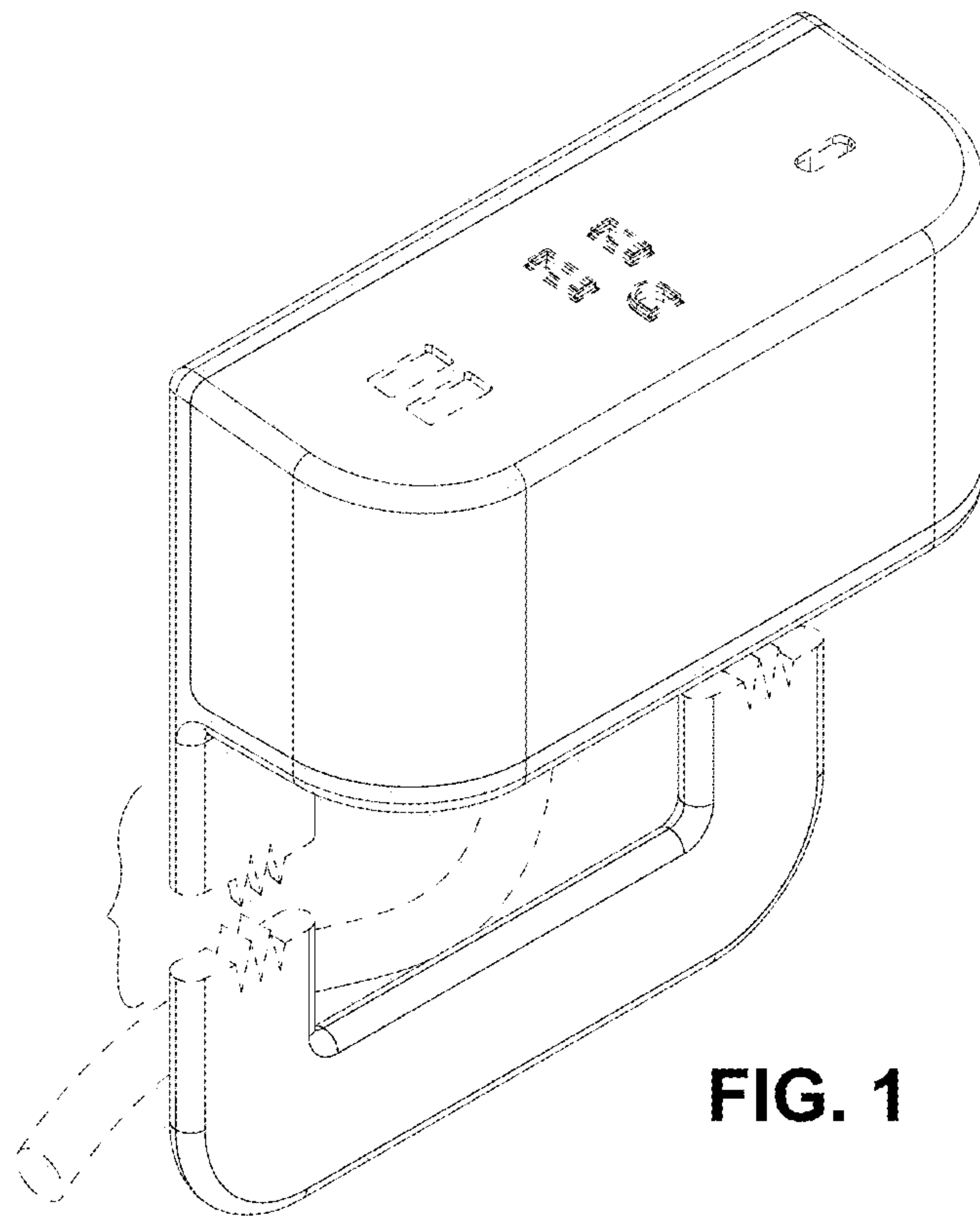
**OTHER PUBLICATIONS**

Nuplug™ the most convenient outlet for your smart-devices, Shopstarter, downloaded from [www.shopstarter.com/p/1704062015/nuplugtm-the-most-convenie](http://www.shopstarter.com/p/1704062015/nuplugtm-the-most-convenie), Oct. 11, 2016.

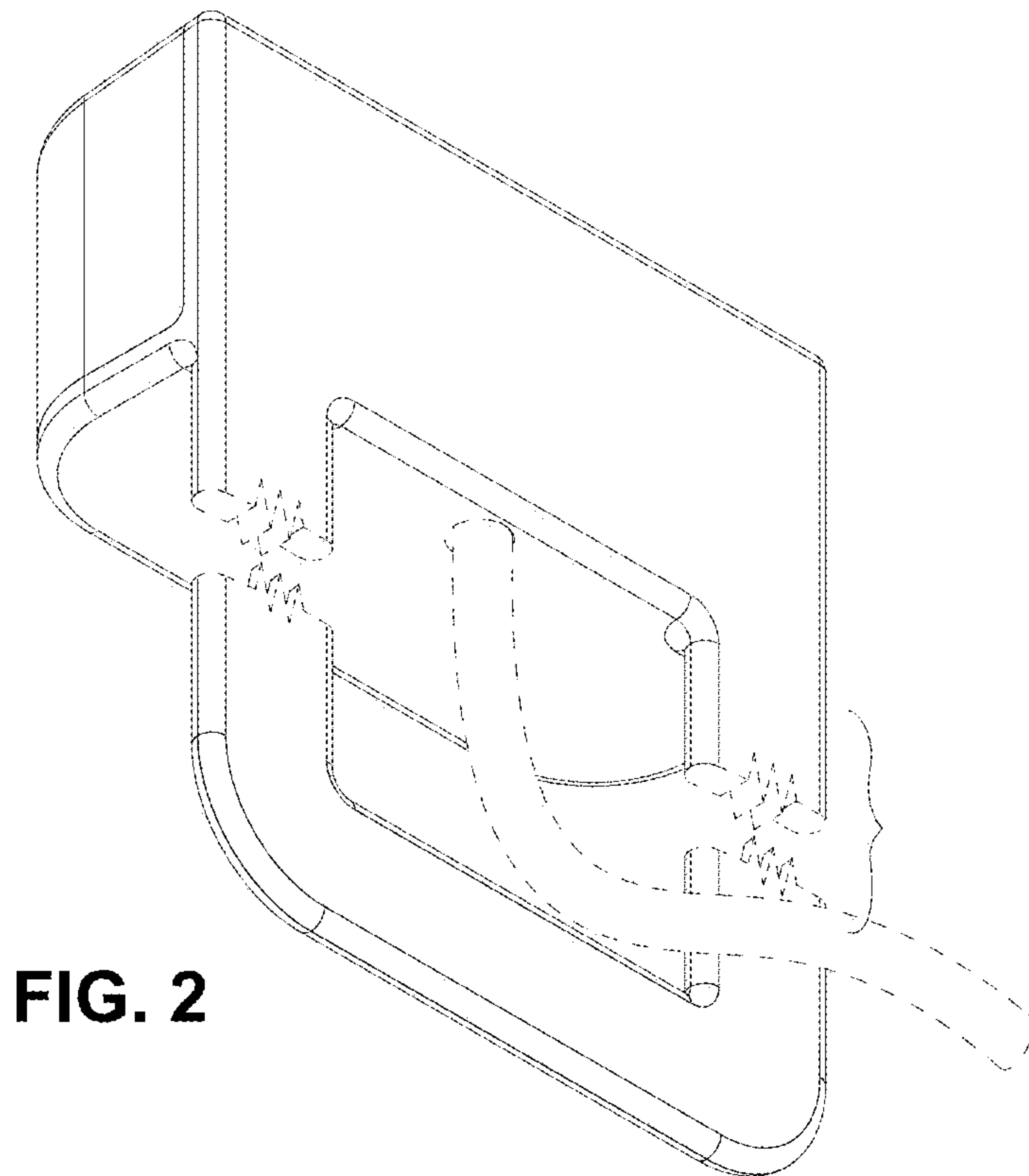
Studio 3B™ 4-Piece USB Bed Lift Set, Bed Bath & Beyond, downloaded from [www.bedbathandbeyond.com/store/product/studio-3b-4-piece-usb](http://www.bedbathandbeyond.com/store/product/studio-3b-4-piece-usb), Oct. 11, 2016.

\* cited by examiner





**FIG. 1**



**FIG. 2**

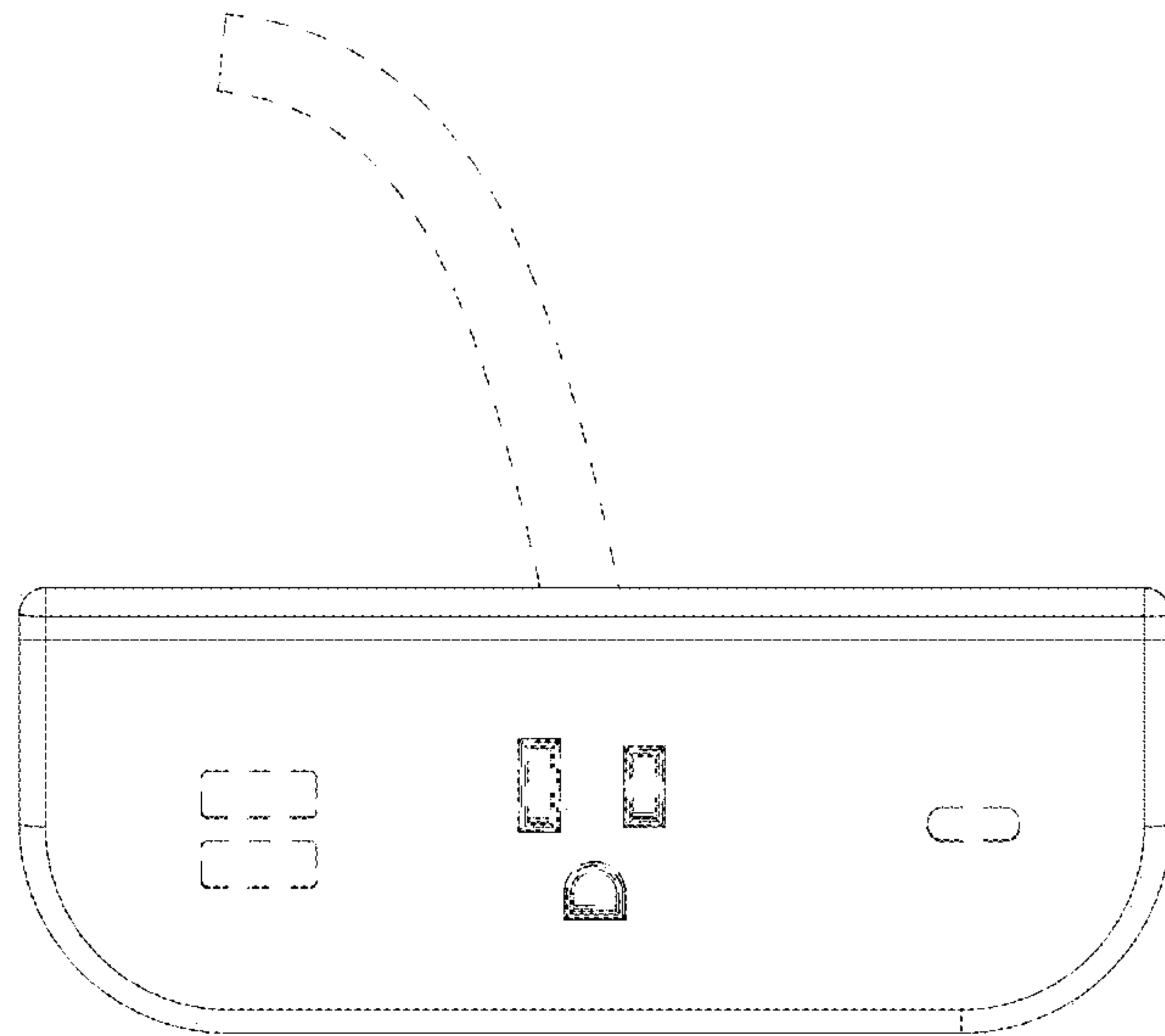


FIG. 3

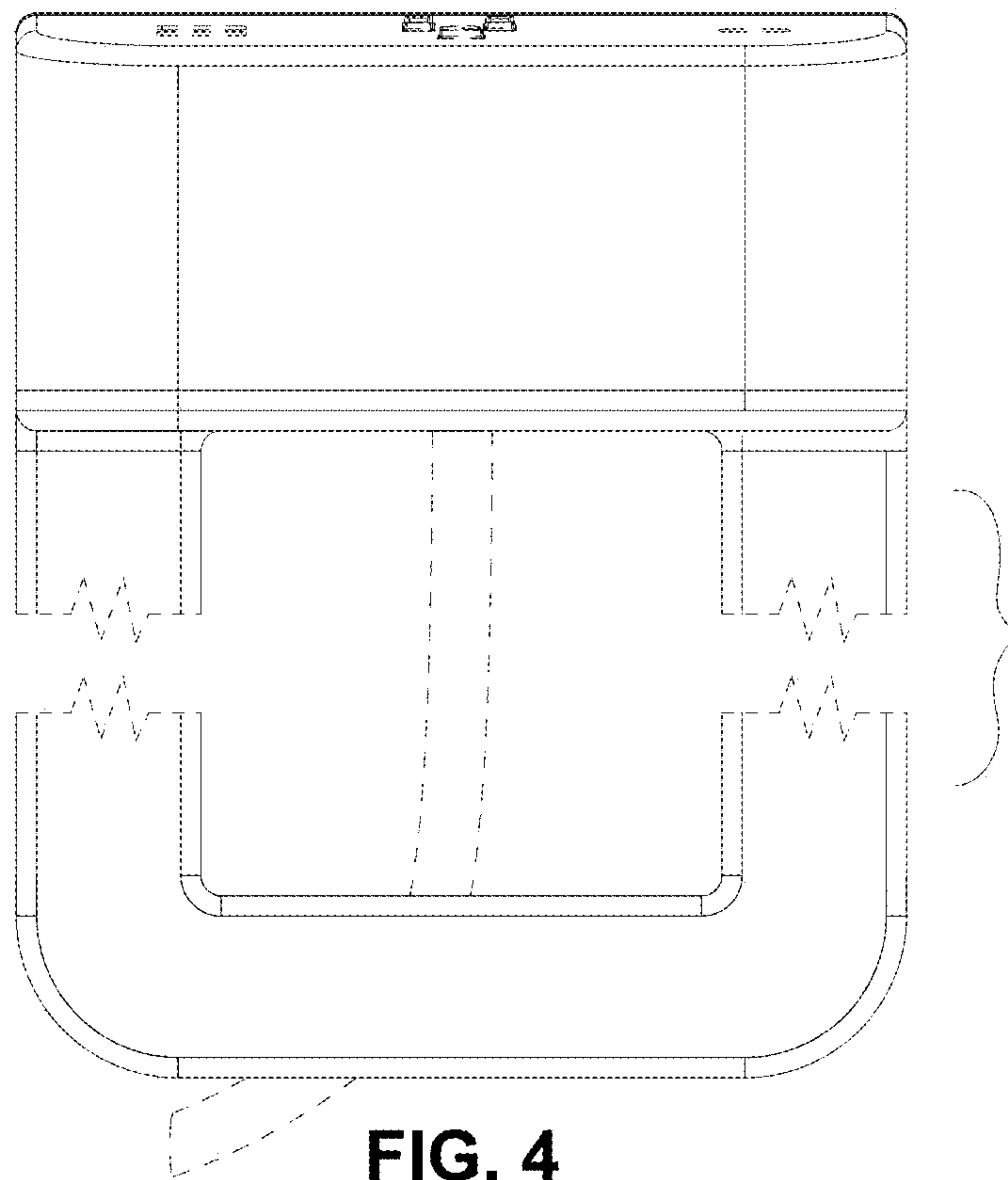
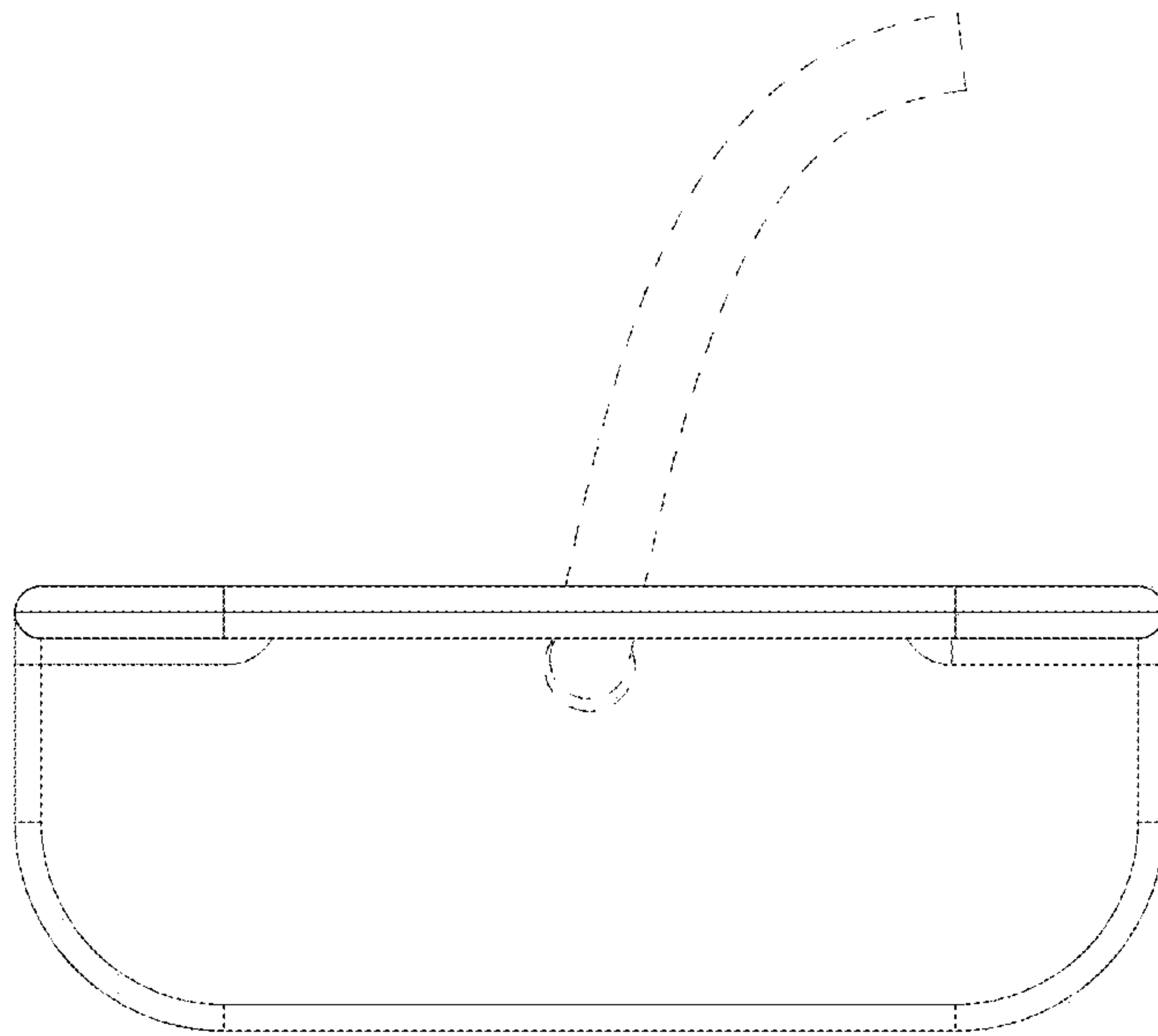
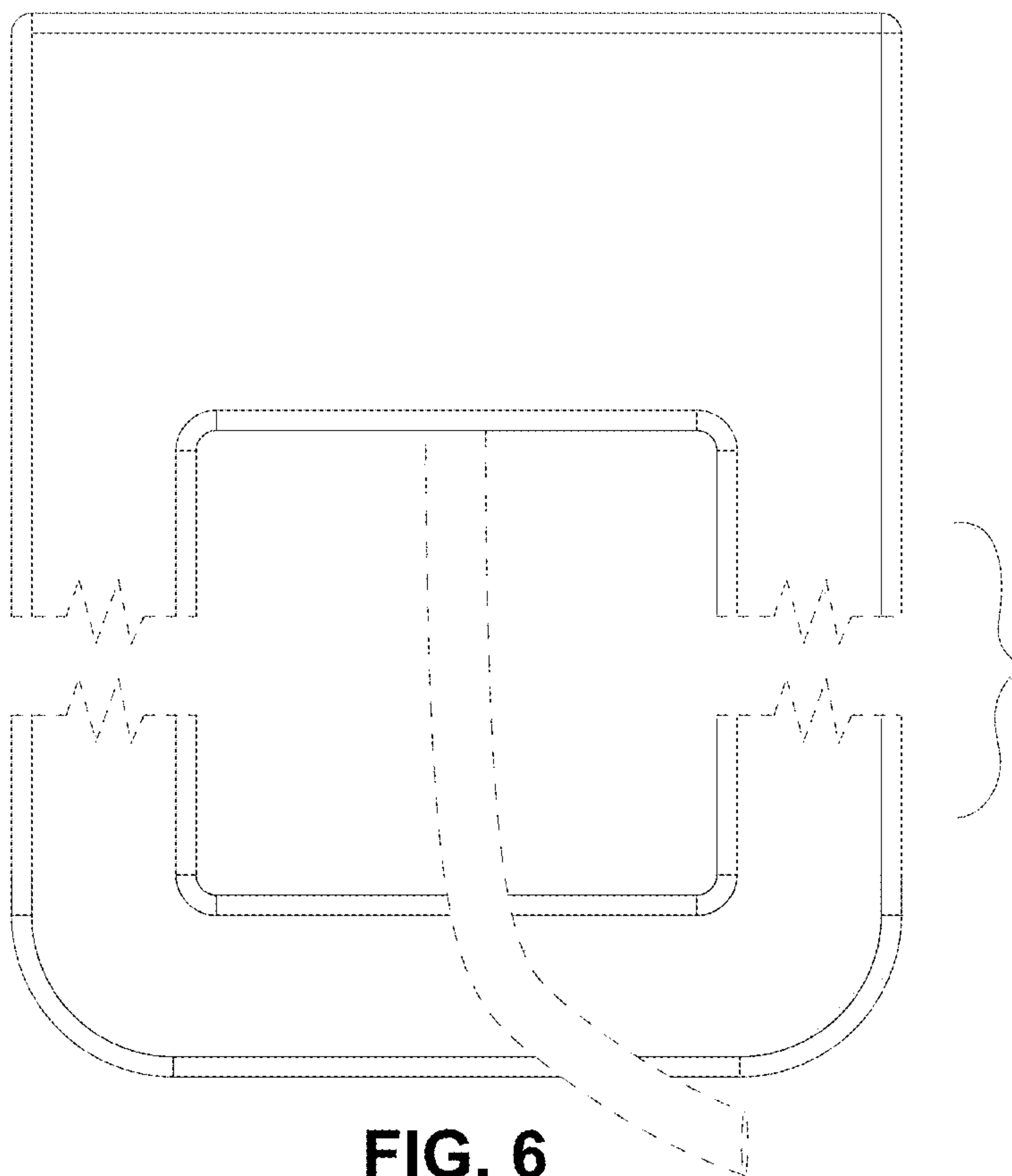


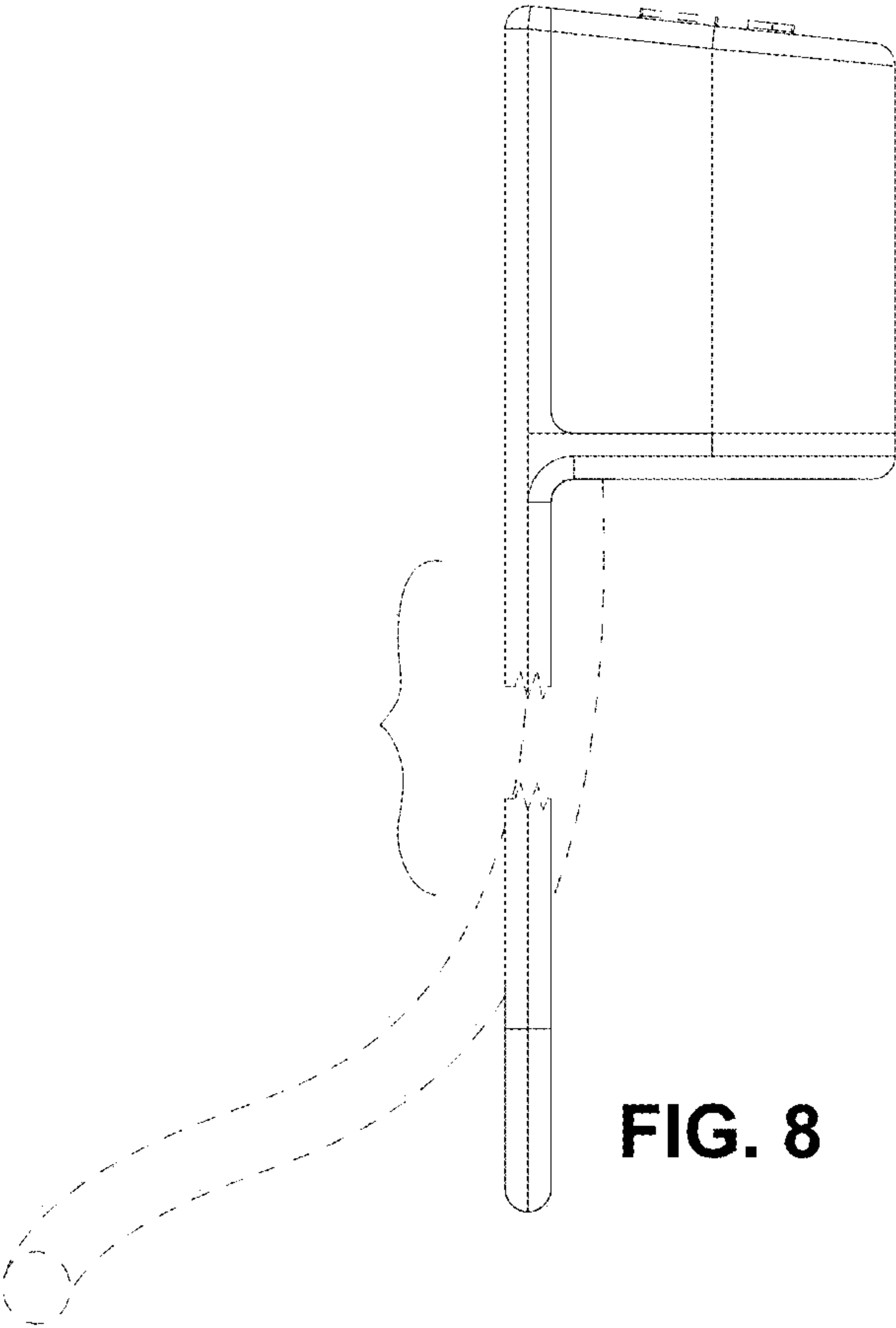
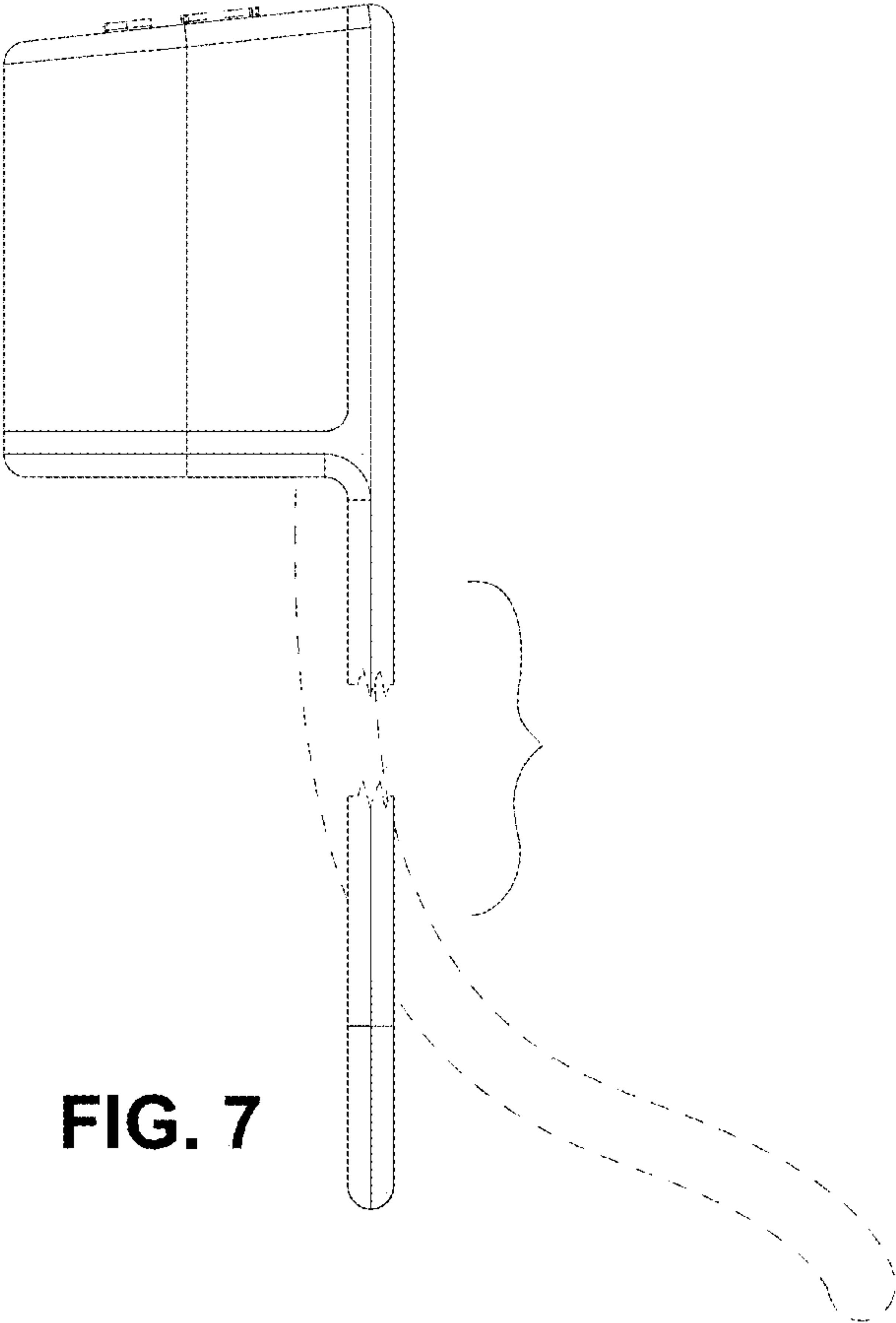
FIG. 4



**FIG. 5**



**FIG. 6**



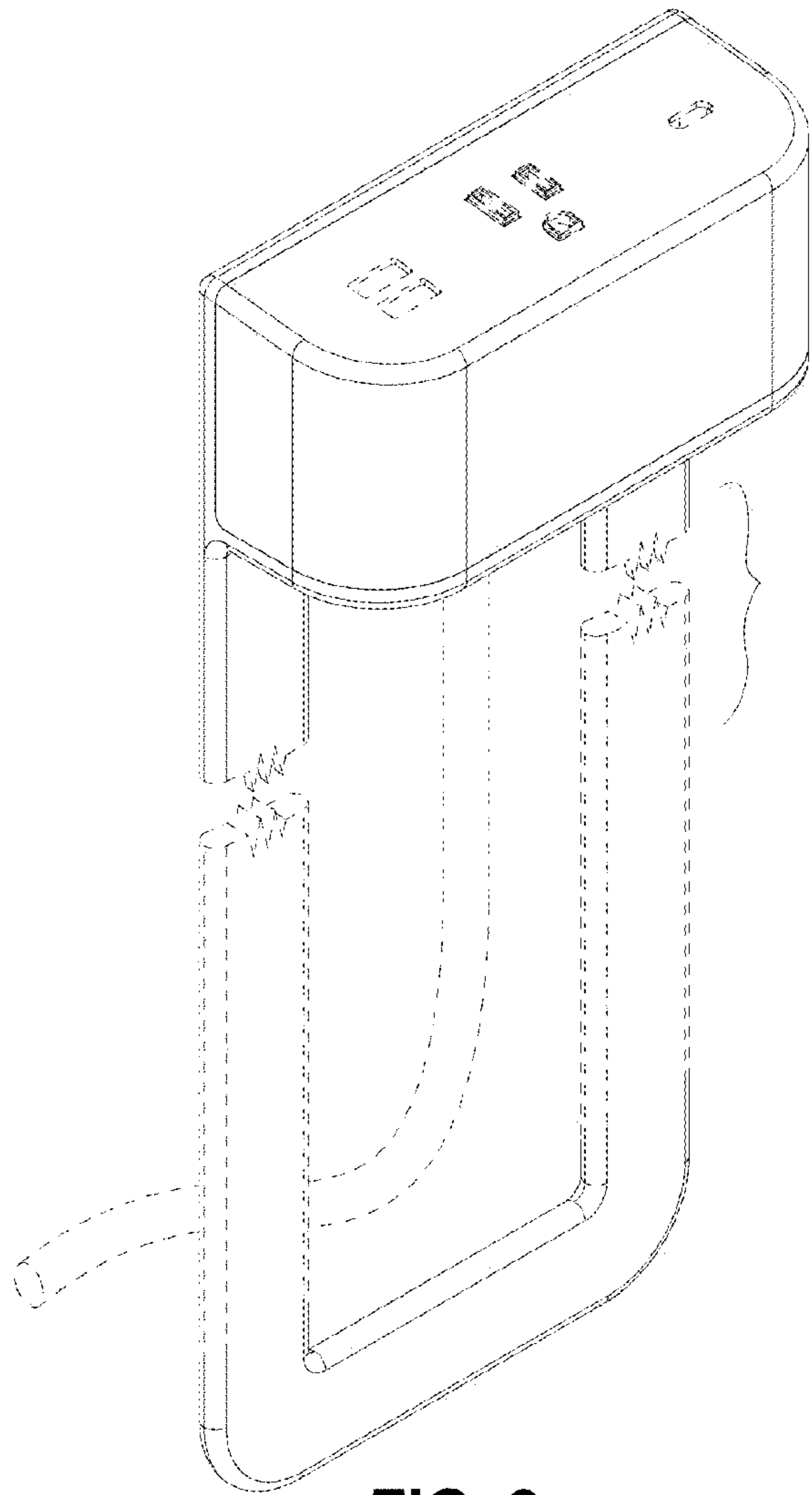


FIG. 9

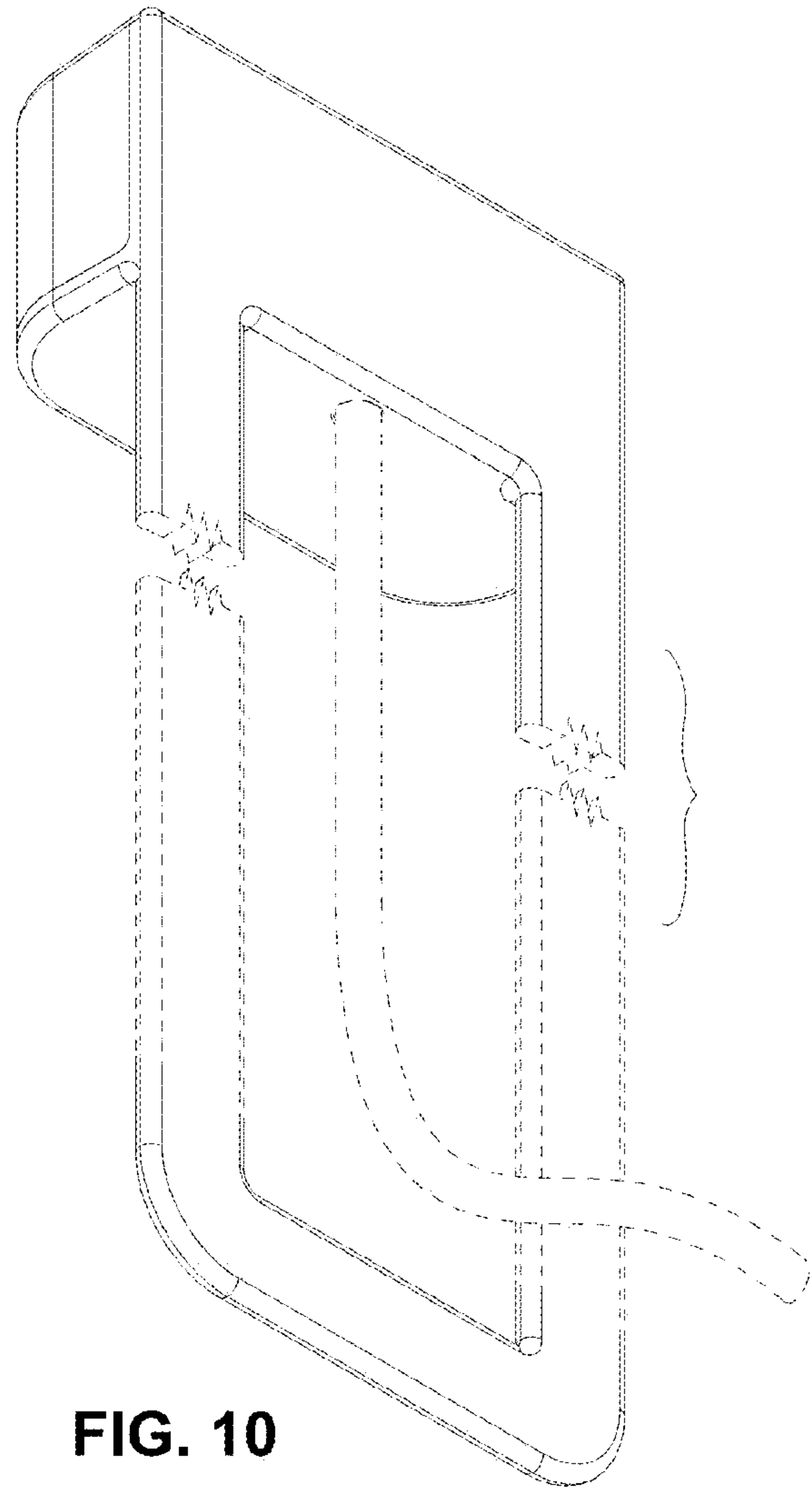
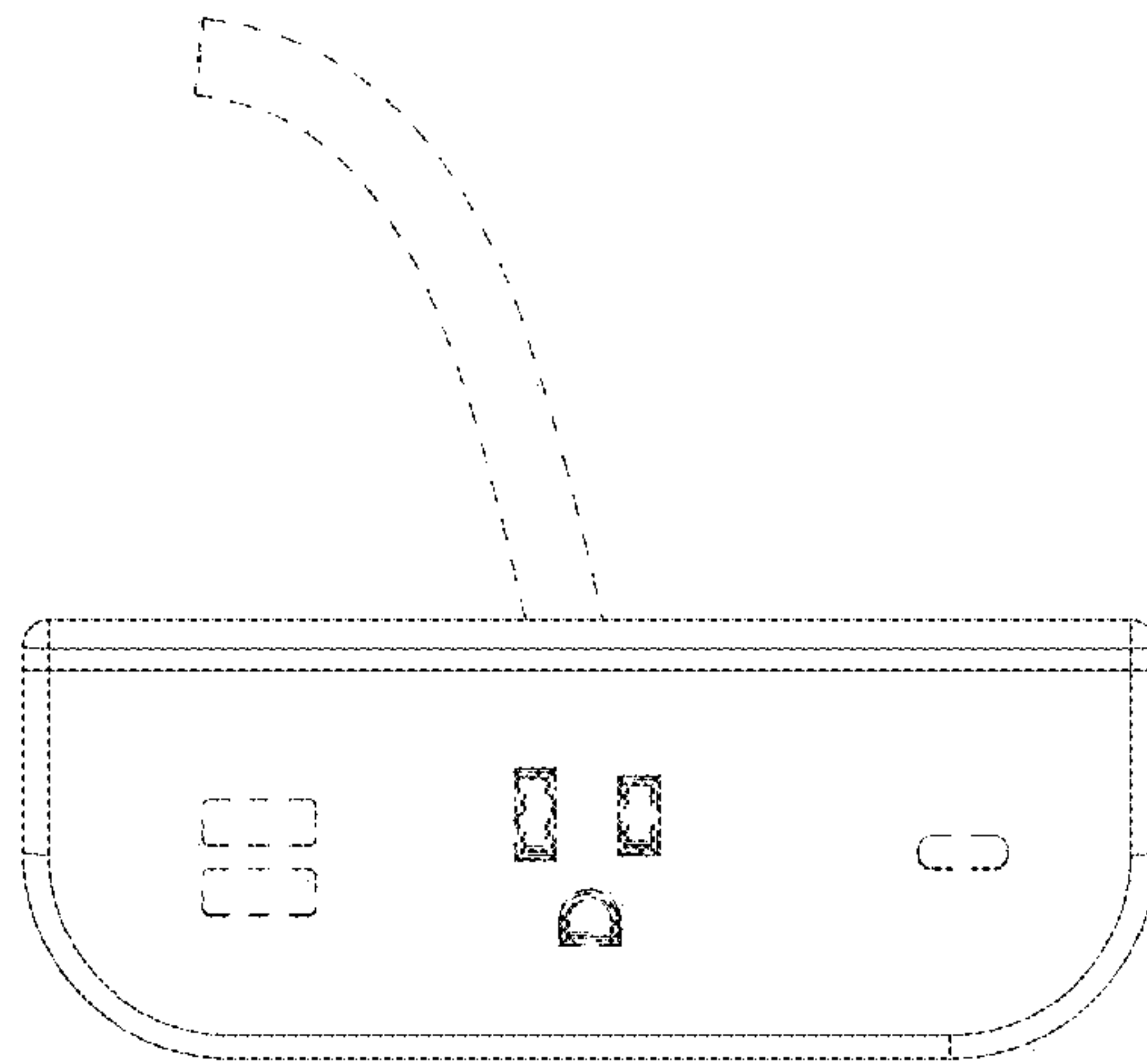
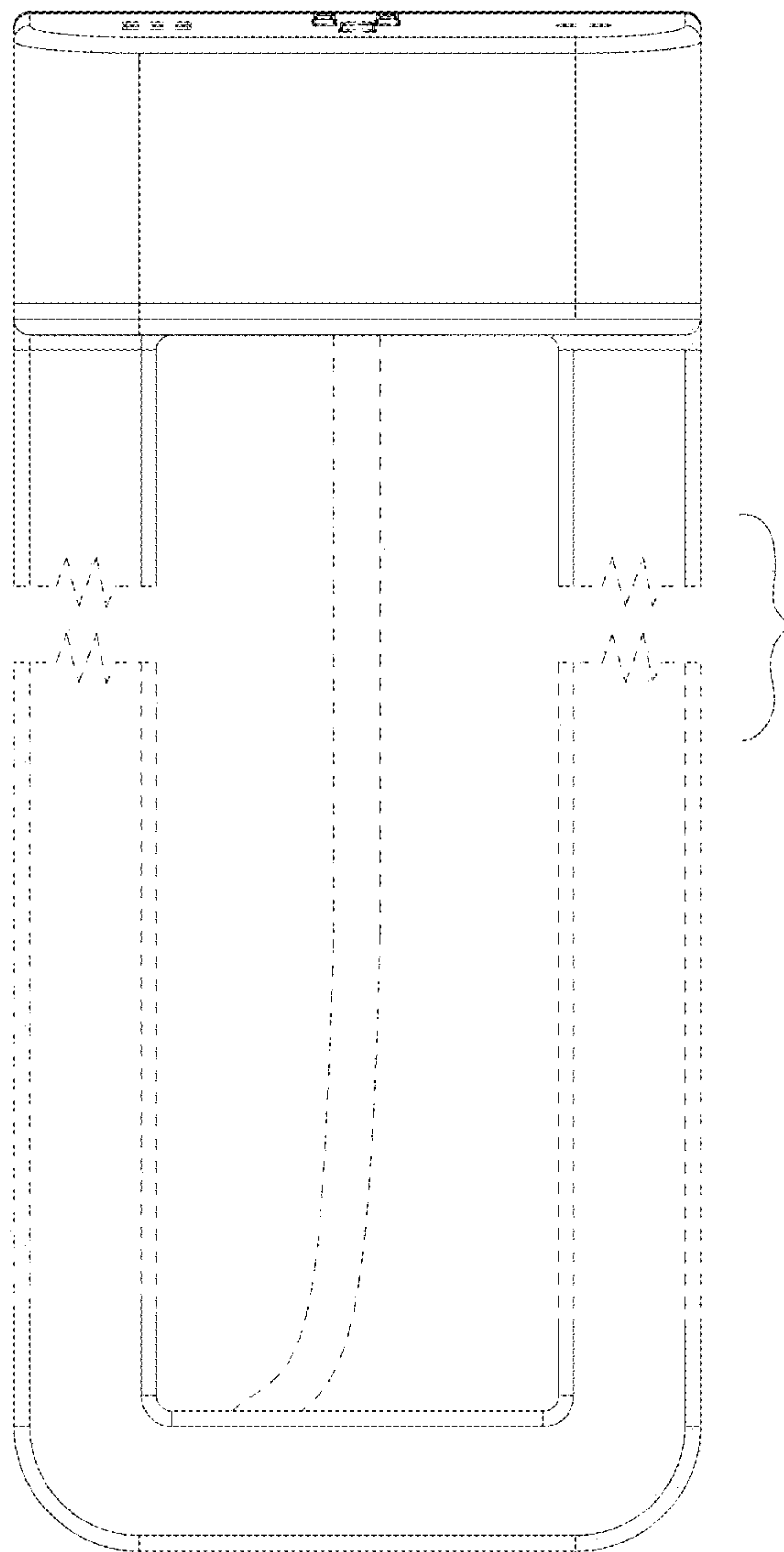


FIG. 10



**FIG. 11**



**FIG. 12**



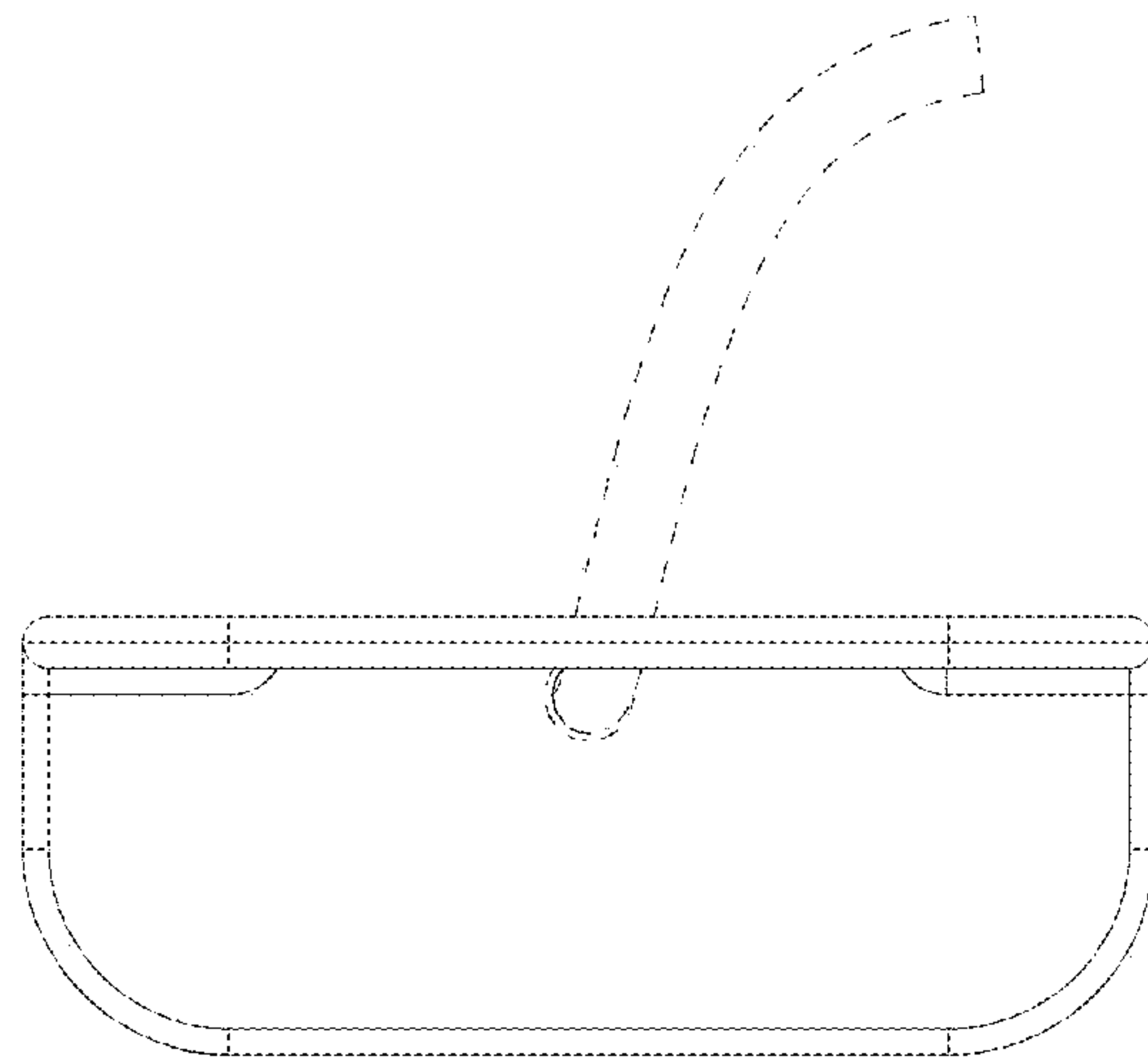


FIG. 13

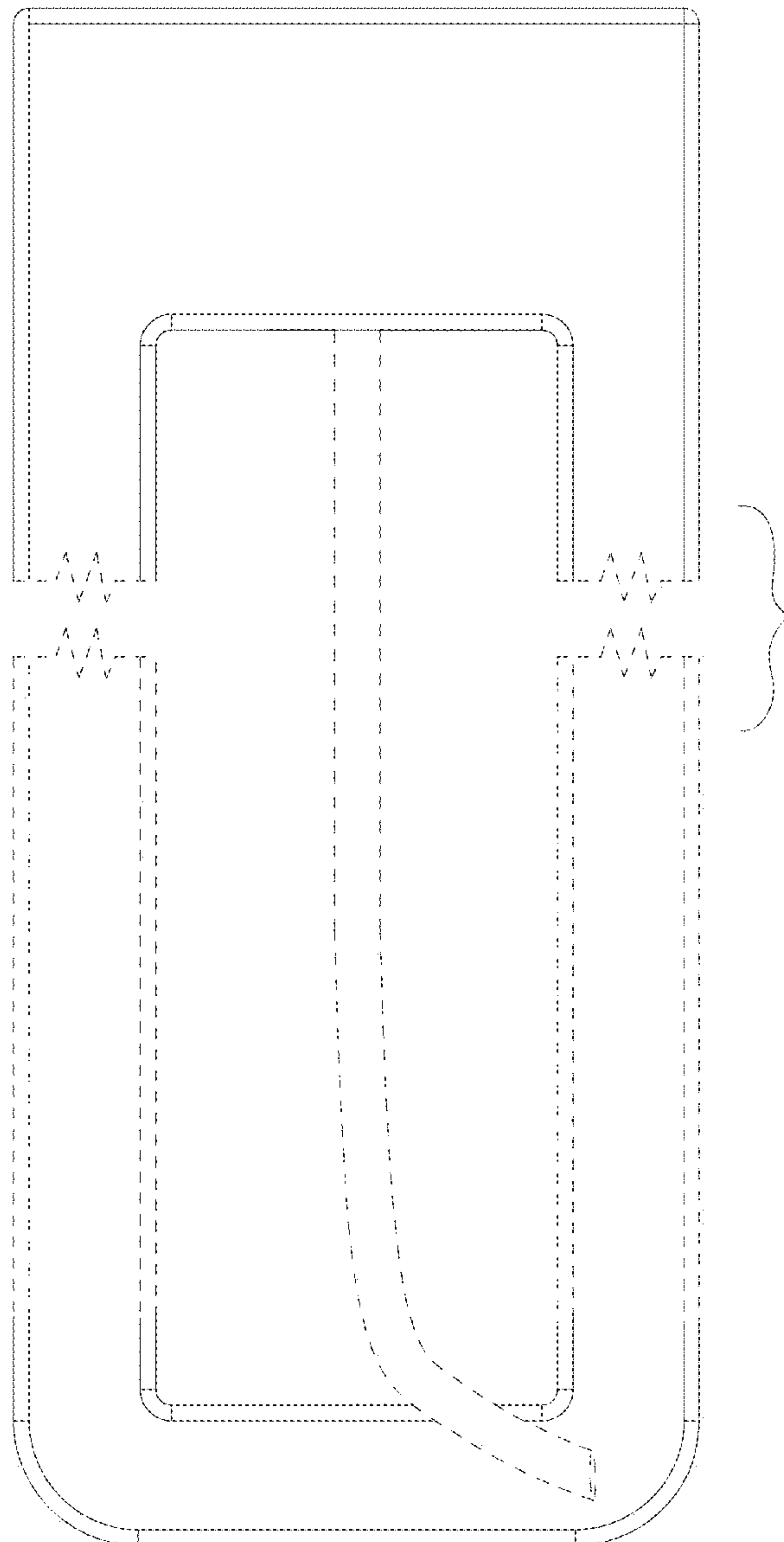
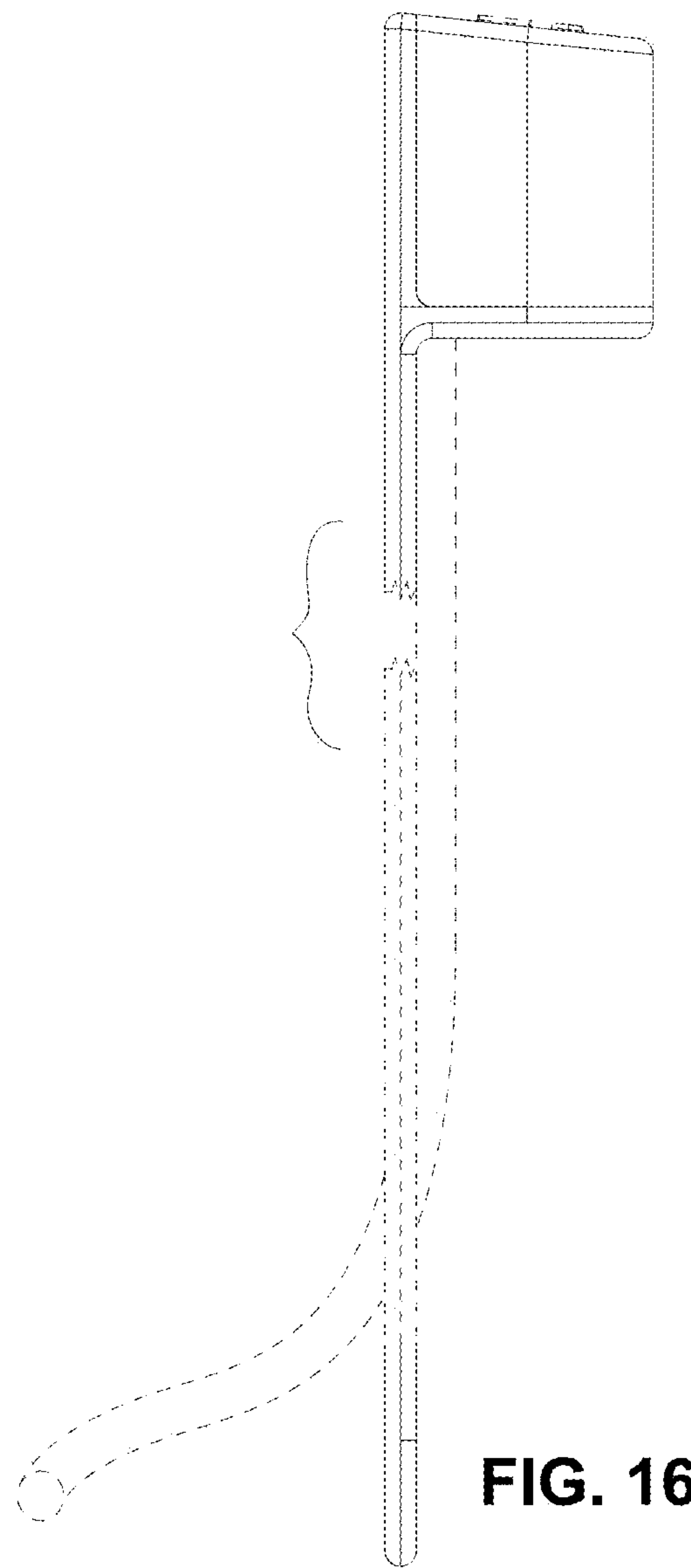
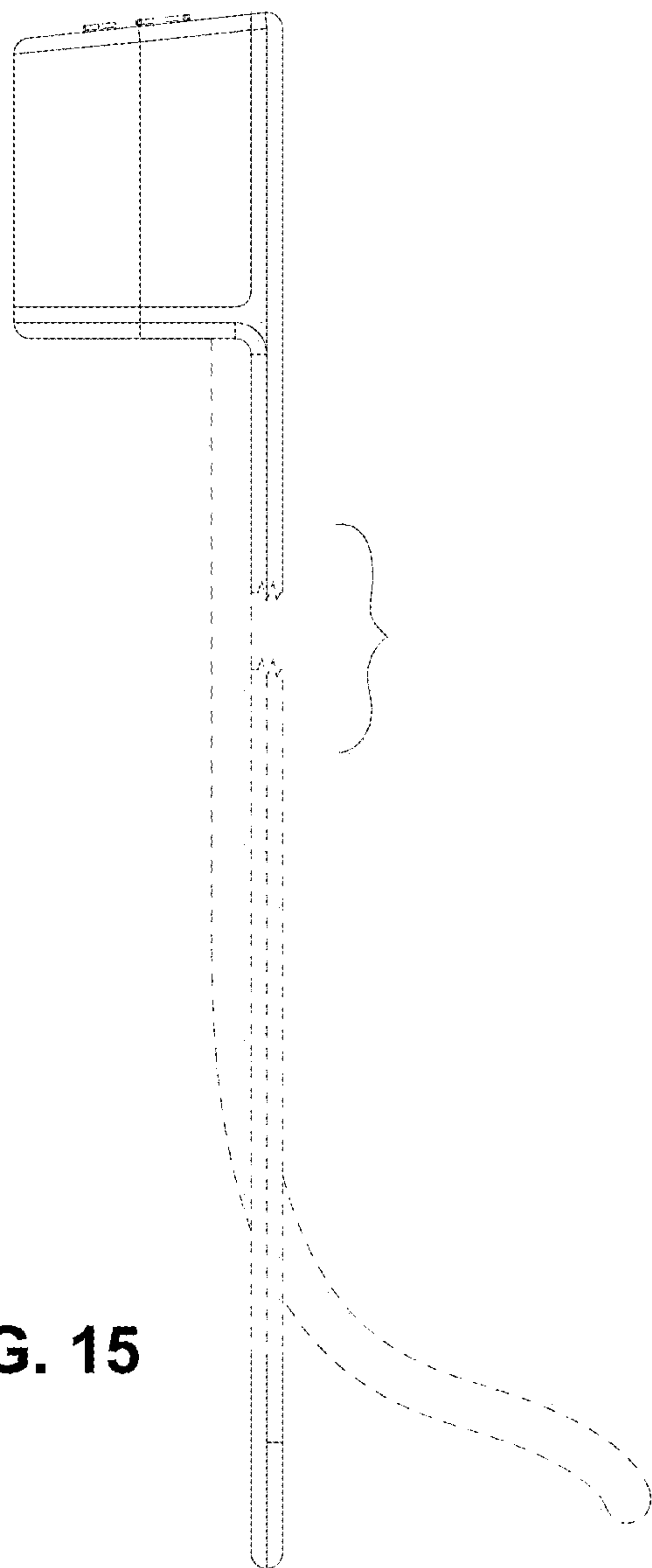
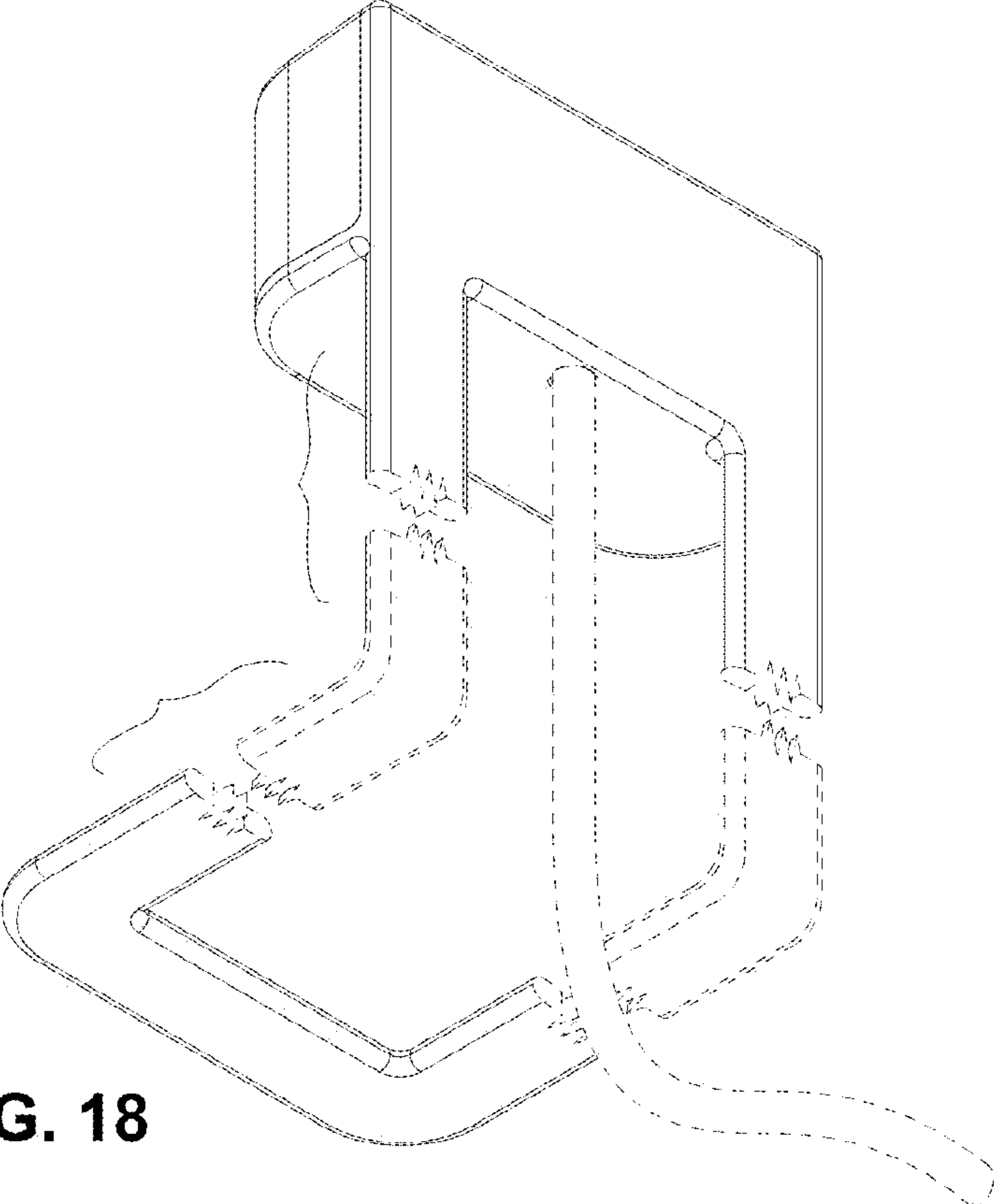
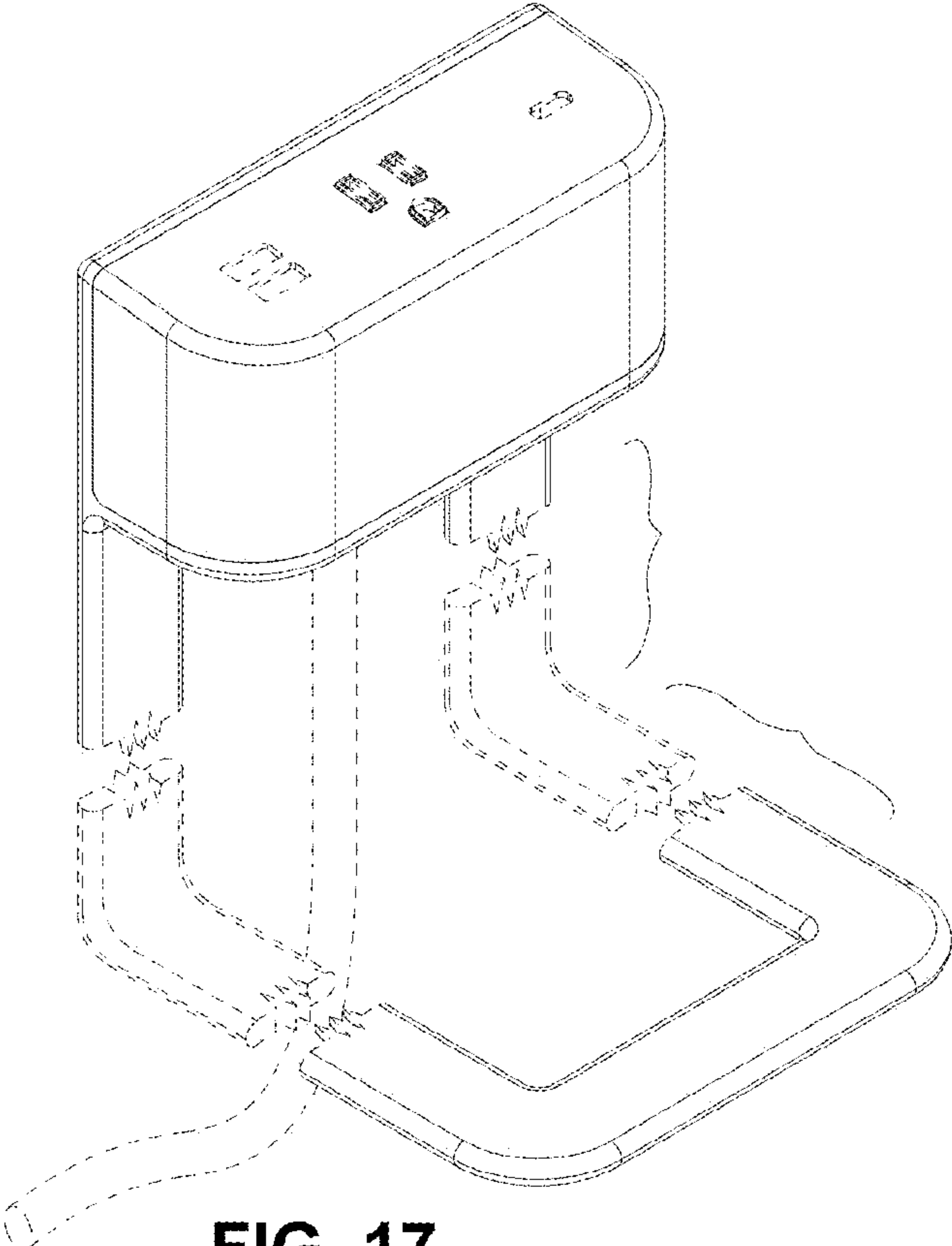


FIG. 14





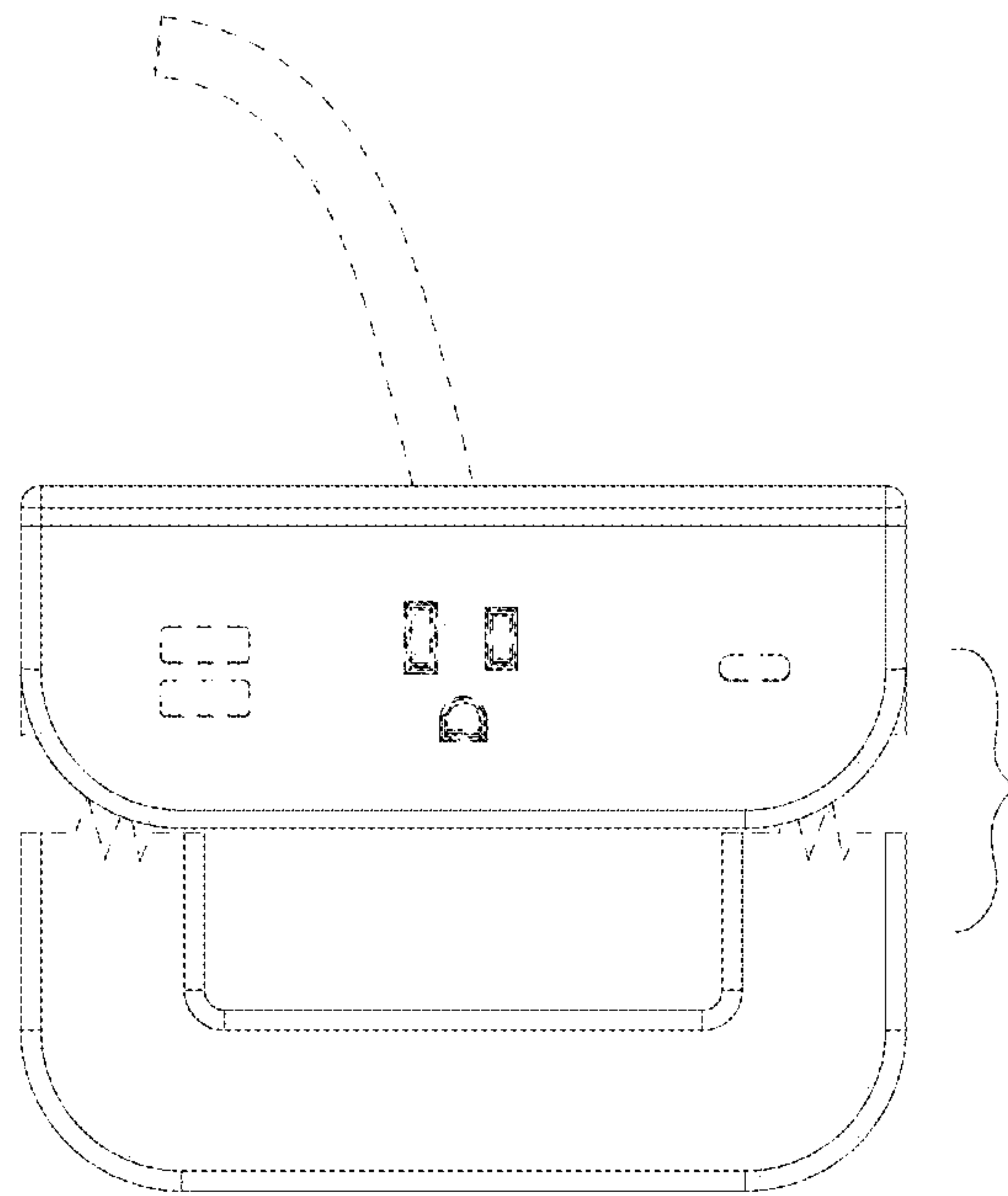


FIG. 19

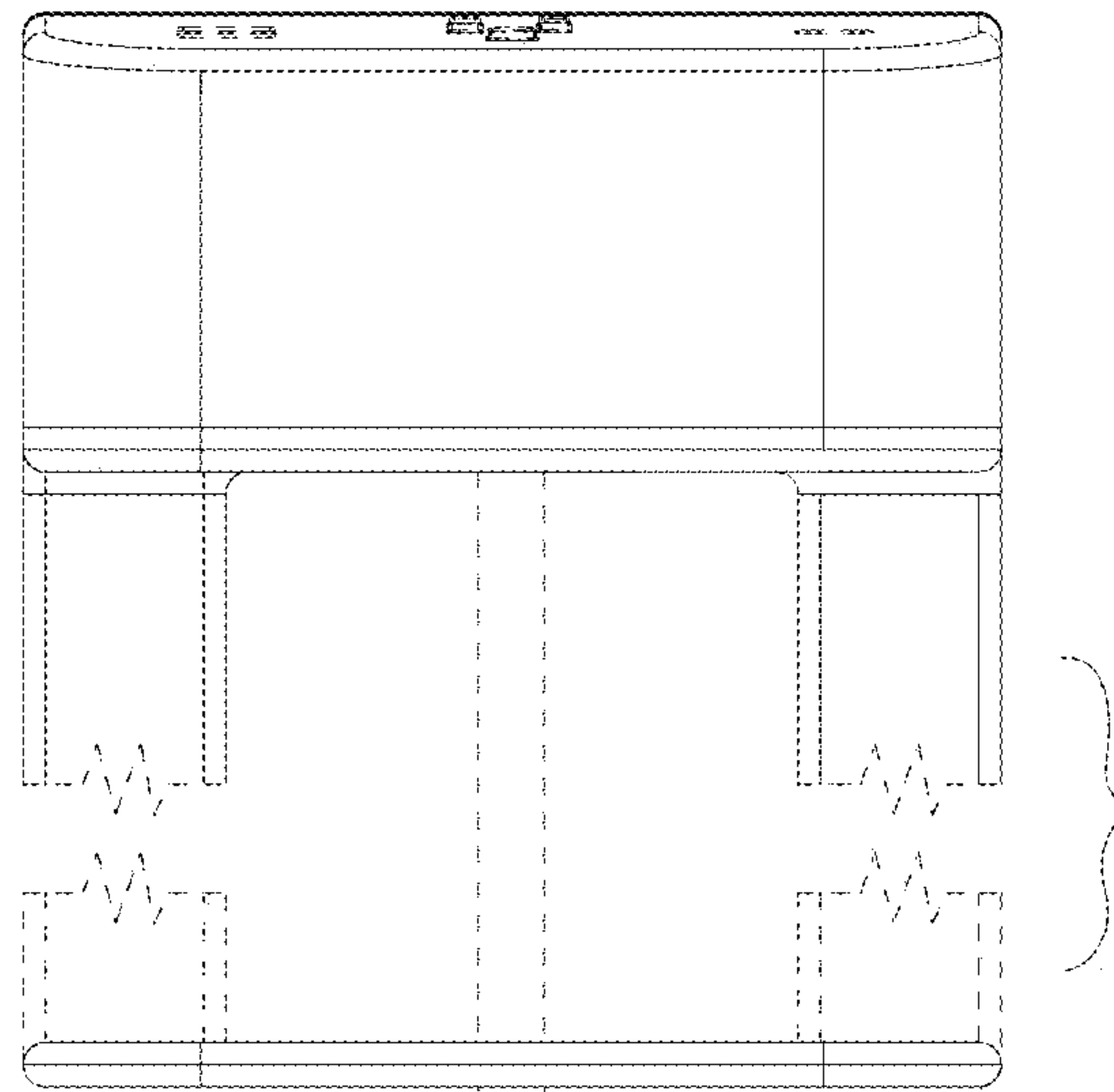


FIG. 20

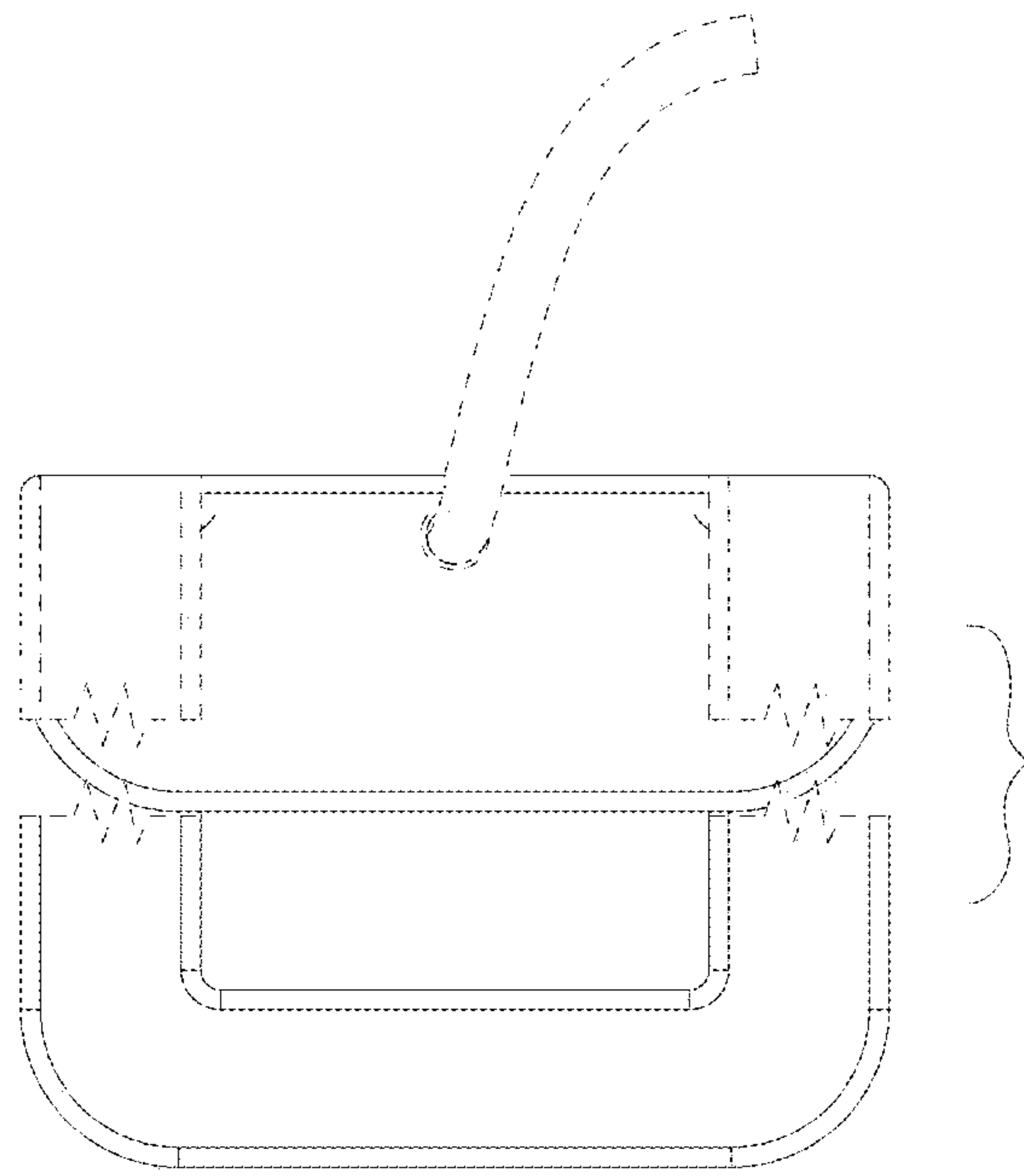


FIG. 21

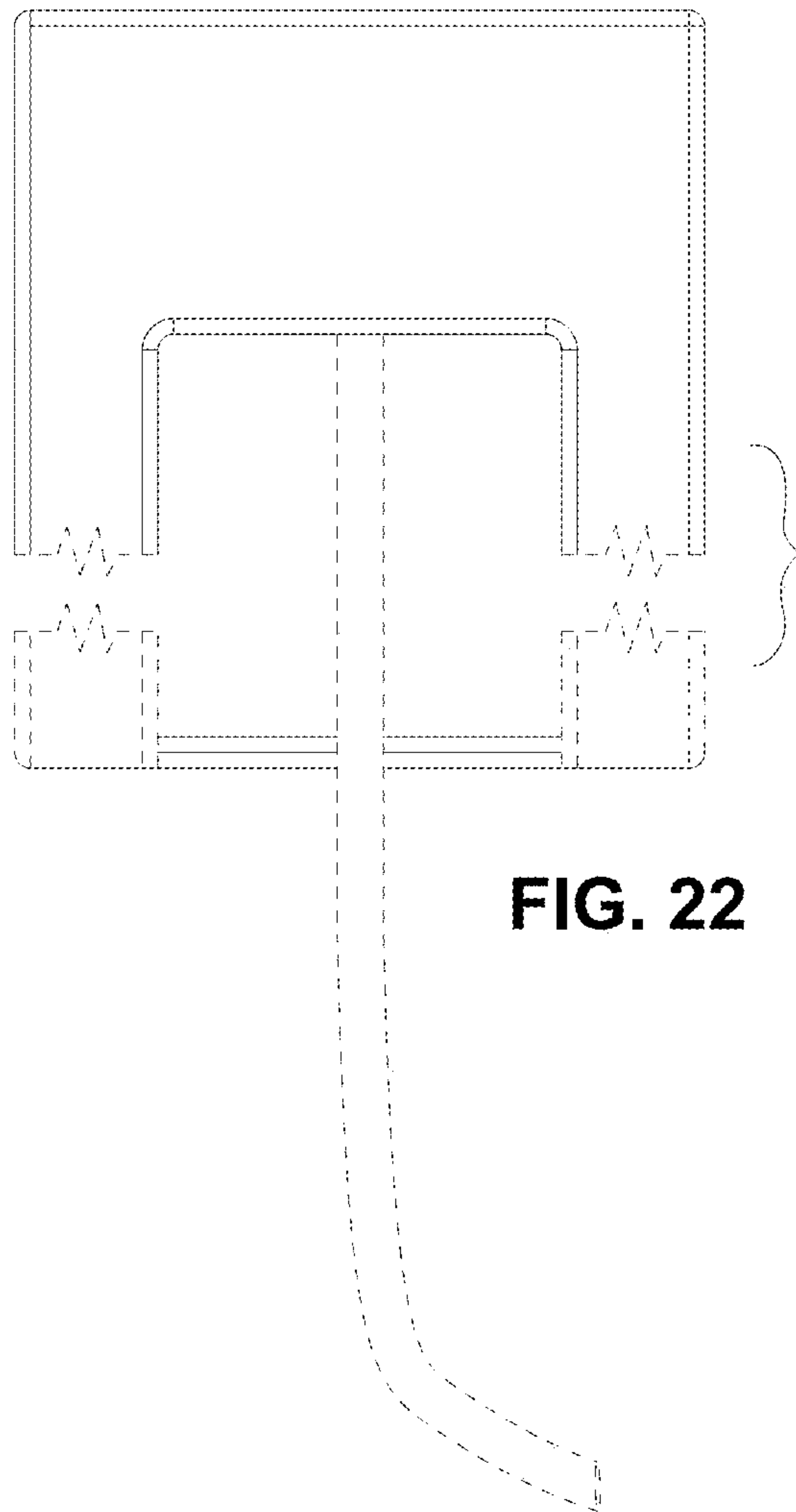


FIG. 22



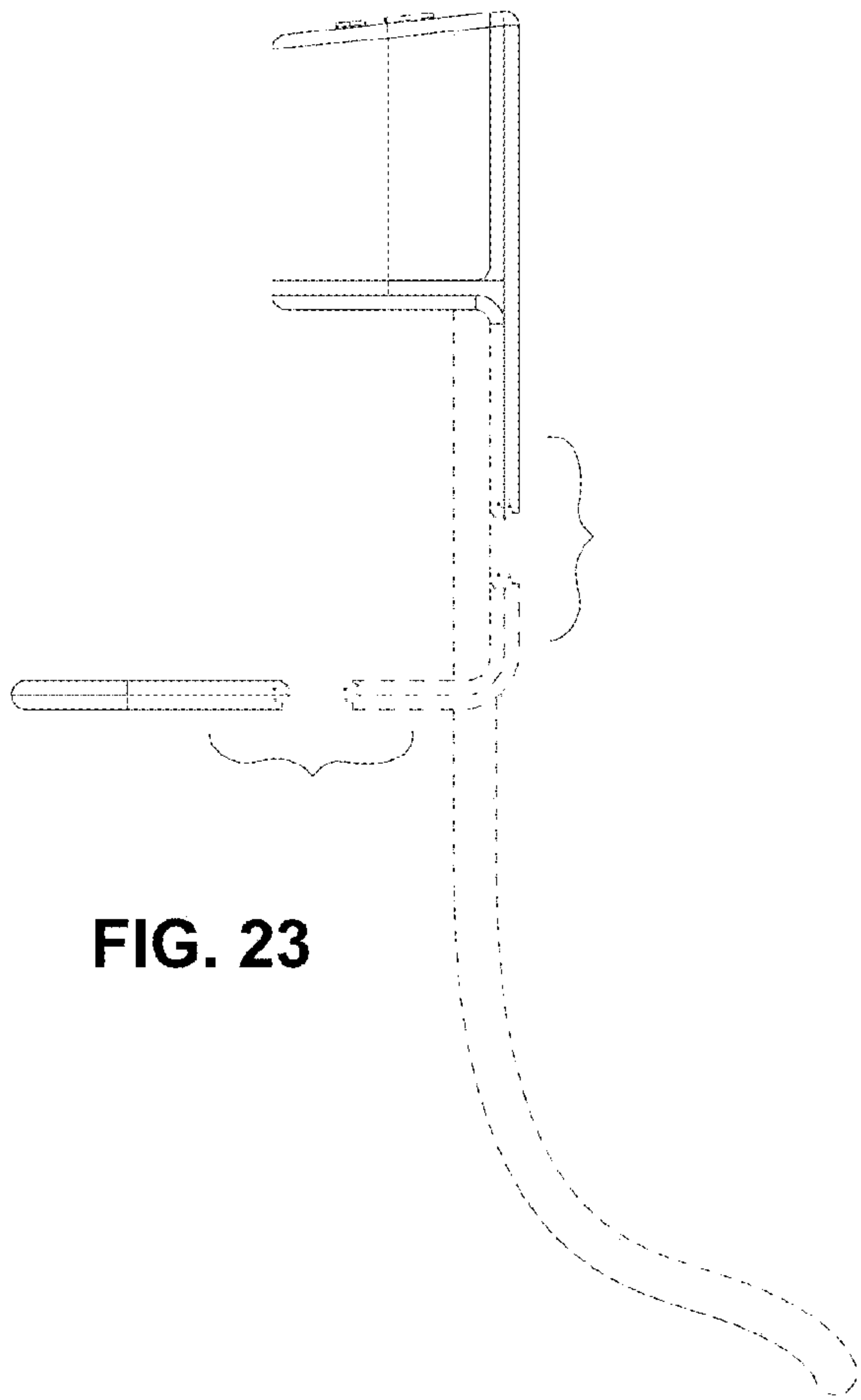


FIG. 23

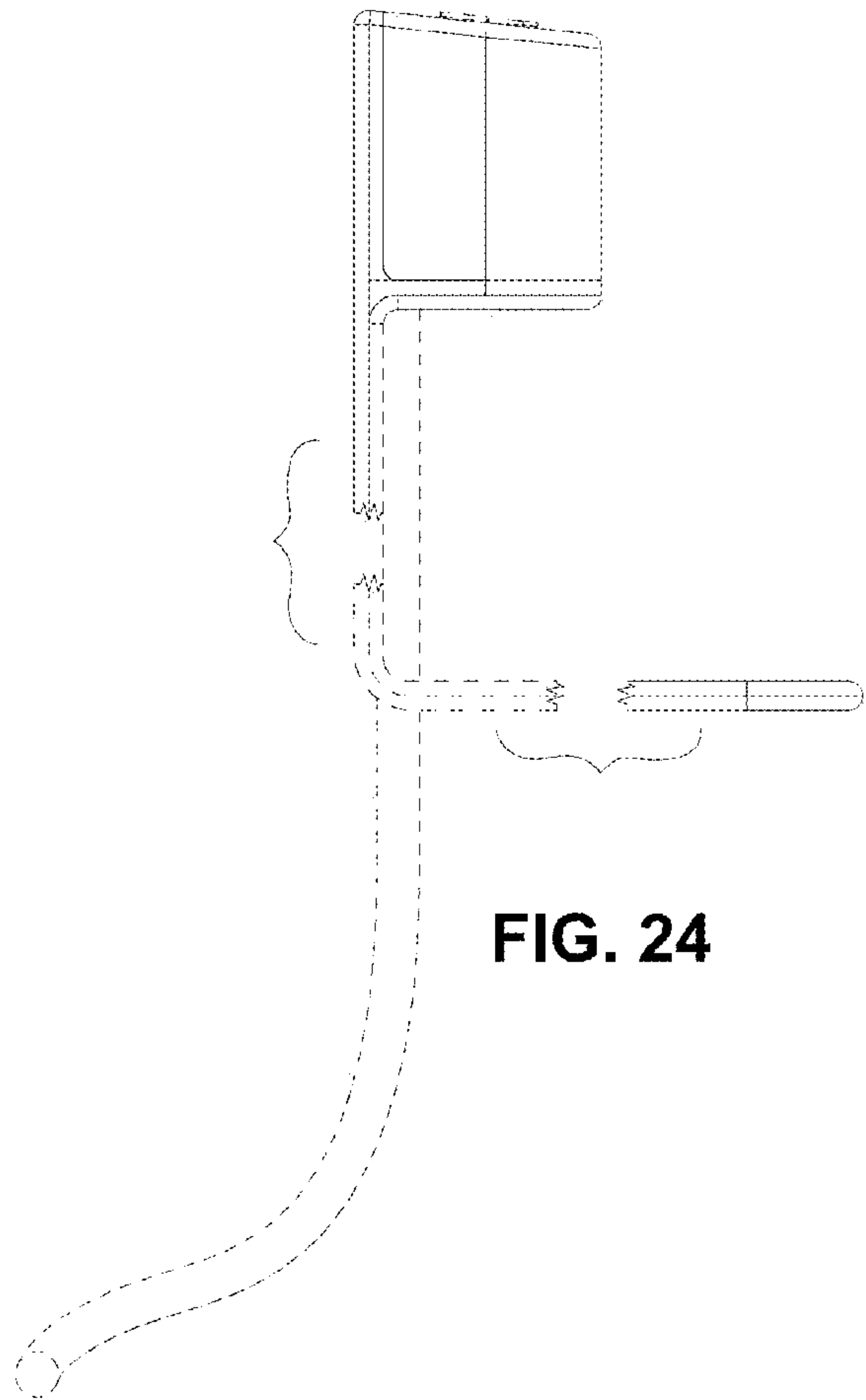
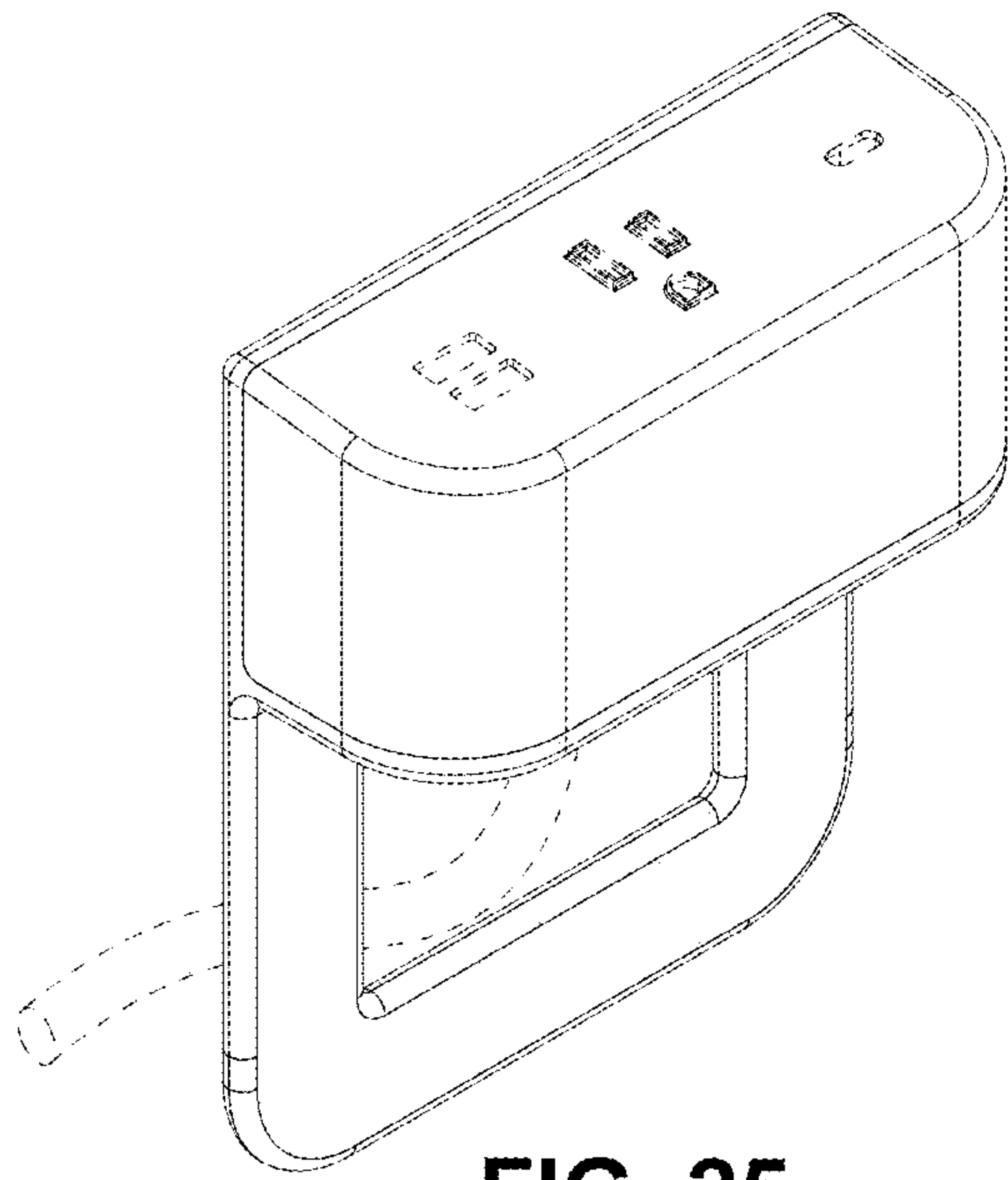
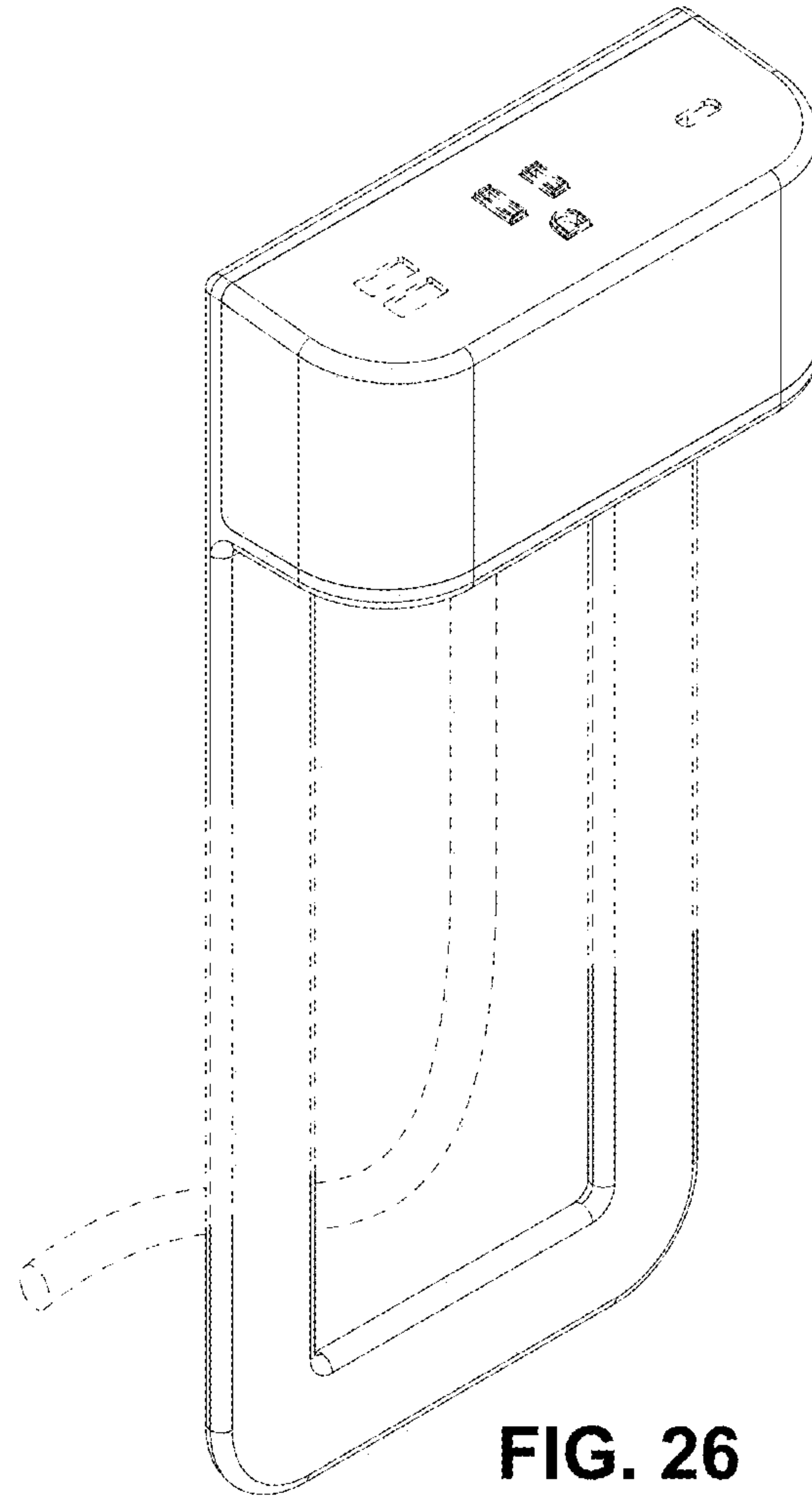


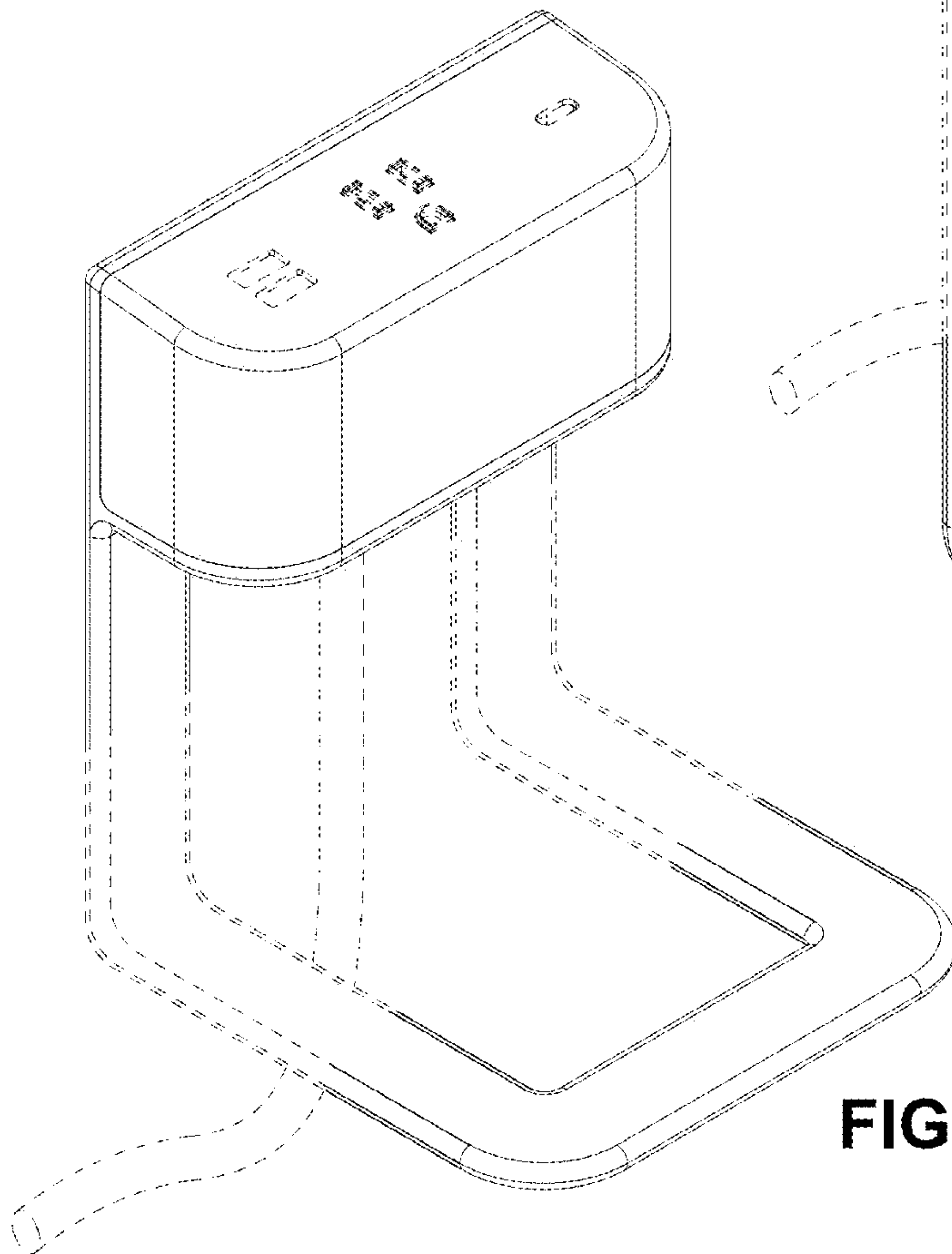
FIG. 24



**FIG. 25**



**FIG. 26**



**FIG. 27**