



US00D928088S

(12) **United States Design Patent**  
**Kim et al.**

(10) **Patent No.:** **US D928,088 S**

(45) **Date of Patent:** **\*\* Aug. 17, 2021**

(54) **BUS BAR FOR FUSES**

(71) Applicant: **A.F.W. Co., Ltd.**, Gyeongsangbuk-do (KR)

(72) Inventors: **Myeong Hun Kim**, Gumi-si (KR);  
**Jong Duk Seo**, Daegu (KR)

(73) Assignee: **A.F.W. CO., LTD.**, Gyeongsangbuk-do (KR)

(\*\*) Term: **15 Years**

(21) Appl. No.: **29/700,562**

(22) Filed: **Aug. 2, 2019**

(30) **Foreign Application Priority Data**

Feb. 27, 2019 (KR) ..... 30-2019-0008842

(51) **LOC (13) Cl.** ..... **13-02**

(52) **U.S. Cl.**  
USPC ..... **D13/120; D13/154**

(58) **Field of Classification Search**  
USPC ..... D13/101-106, 110, 117, 118-121, 123,  
D13/124, 125, 133, 152, 154, 146, 147,  
D13/149, 153, 155, 158, 159, 160, 161,  
D13/162, 173, 182, 184, 199, 156;  
D8/349, 363, 364, 354  
CPC ..... H01R 11/01; H01R 11/12; H01R 11/288;  
H01R 2201/26; H01R 13/035; H01R  
43/02; H01R 9/2675; H01R 13/7031;  
H01R 9/2658; H01R 25/14; H01R  
25/162; H02B 1/20; H02G 5/00; H01H  
2085/2055

See application file for complete search history.

(56) **References Cited**

**U.S. PATENT DOCUMENTS**

D600,207 S \* 9/2009 Lumpkins ..... D13/118  
D636,727 S \* 4/2011 Sakae ..... D13/121  
D647,055 S \* 10/2011 Sakae ..... D13/120

D732,373 S \* 6/2015 Wagner ..... D8/349  
D845,906 S \* 4/2019 Marten ..... D13/147  
D879,726 S \* 3/2020 Yui ..... D13/161  
2012/0015550 A1 \* 1/2012 Ikeda ..... H01M 2/305  
439/391  
2013/0012079 A1 \* 1/2013 Sakae ..... H01M 2/206  
439/884  
2013/0130572 A1 \* 5/2013 Sakae ..... B21C 23/007  
439/884  
2018/0088179 A1 \* 3/2018 Ota ..... H01R 12/592  
(Continued)

**OTHER PUBLICATIONS**

Littelfuse Flex-Midi Bus Bar. Date: Apr. 14, 2017. [online], [Site visited Jan. 6, 2021], Available from Internet URL: <https://www.amazon.ca/dp/B01KZGCDQC> (Year: 2017).\*

(Continued)

*Primary Examiner* — Susan Bennett Hattan

*Assistant Examiner* — Landon Thomas Cassell

(74) *Attorney, Agent, or Firm* — Rabin & Berdo, P.C.

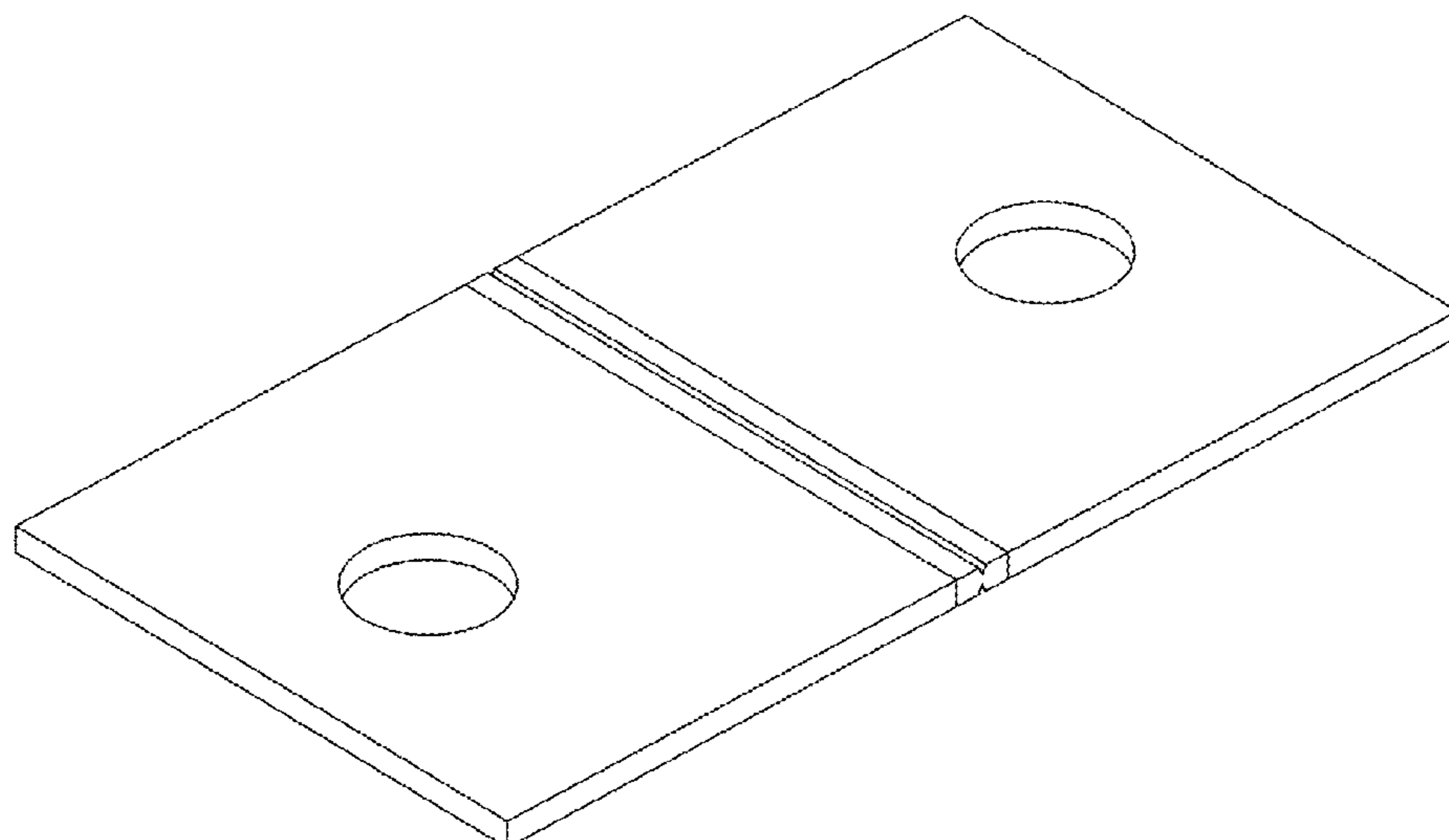
(57) **CLAIM**

The ornamental design for a bus bar for fuses, as shown and described.

**DESCRIPTION**

FIG. 1 is a perspective view of a bus bar for fuses;  
FIG. 2 is a front view thereof;  
FIG. 3 is a rear view thereof;  
FIG. 4 is a left side view thereof;  
FIG. 5 is a right side view thereof;  
FIG. 6 is a top view thereof;  
FIG. 7 is a bottom view thereof;  
FIG. 8 is an enlarged top view of the detail identified in FIG. 6; and,  
FIG. 9 is an enlarged bottom view of the detail identified in FIG. 7.  
The broken lines encircling the areas of enlargement form no part of the claim.

**1 Claim, 7 Drawing Sheets**



(56)

**References Cited**

U.S. PATENT DOCUMENTS

2019/0273239 A1\* 9/2019 Sato ..... H01M 2/10  
2020/0321589 A1\* 10/2020 Watahiki ..... H01M 2/30

OTHER PUBLICATIONS

Current Sense Resistor. Date: Dec. 18, 2020. [online], [Site visited Jan. 6, 2021], Available from Internet URL: <https://www.amazon.com/dp/B083WKD1PC> (Year: 2020).\*

Busbar Foreign. (Design—© Questel) orbit.com. [Online PDF compilation of references selected by examiner] p. 1-17. Print Dates Range: Apr. 26, 2011-Apr. 15, 2015 [Retrieved Jan. 7, 2021] <https://www.orbit.com/export/UCZAH96B/pdf4/17c23e97-543b-43ea-9f42-a0b3be8c301f-185654.pdf> (Year: 2021).\*

\* cited by examiner

FIG. 1

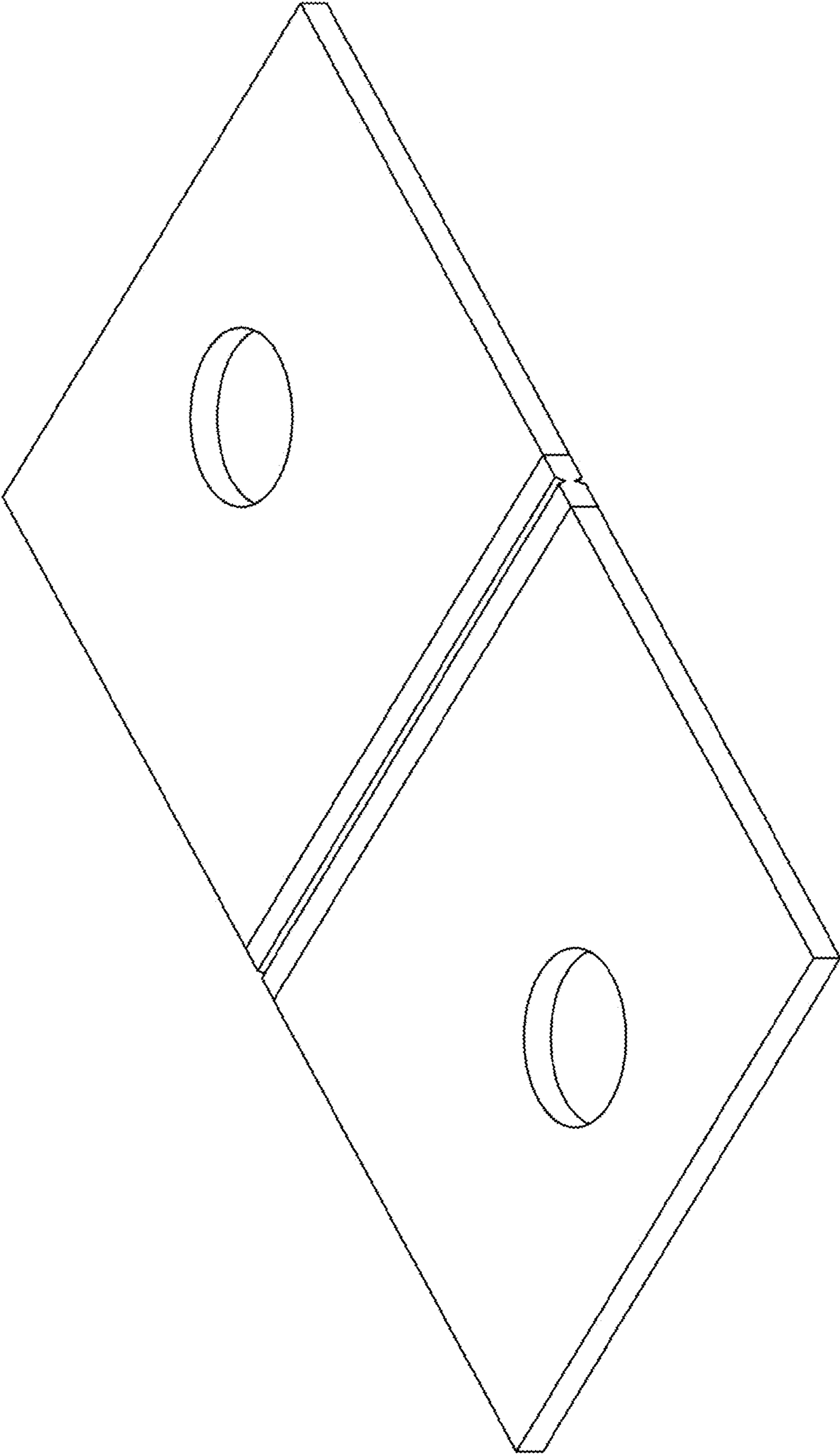


FIG. 2



FIG. 3



FIG. 4



FIG. 5



FIG. 6

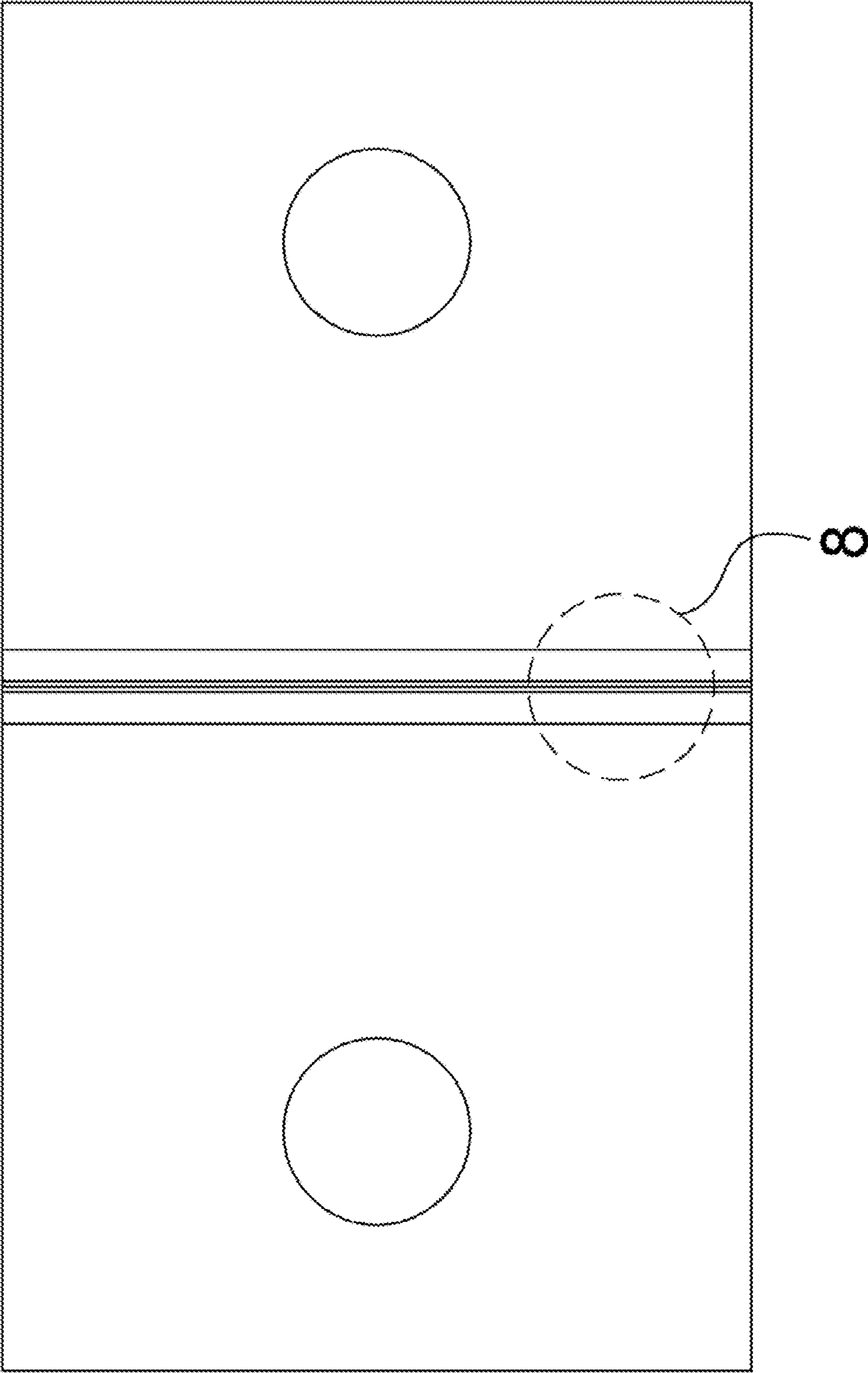


FIG. 7

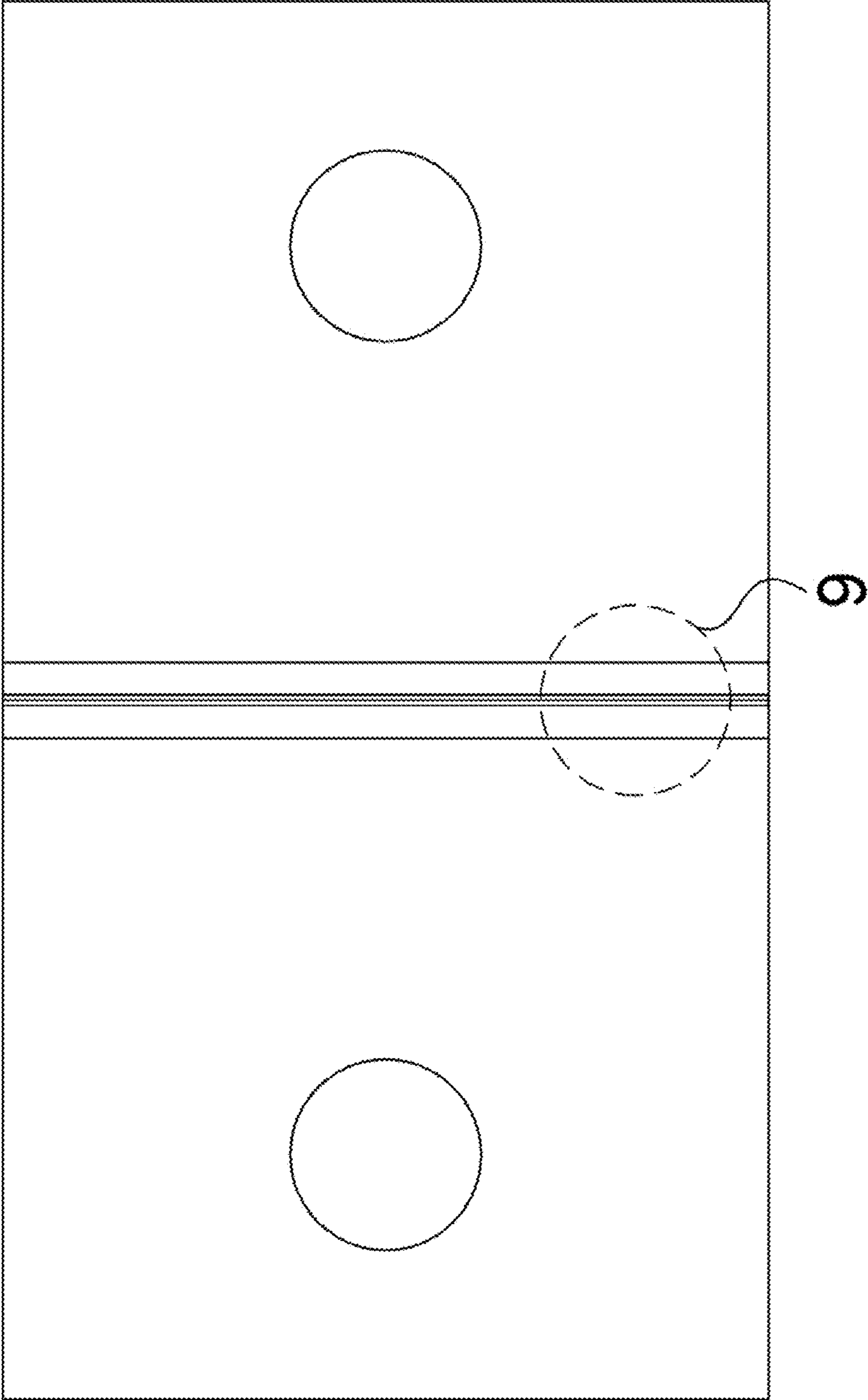


FIG. 8

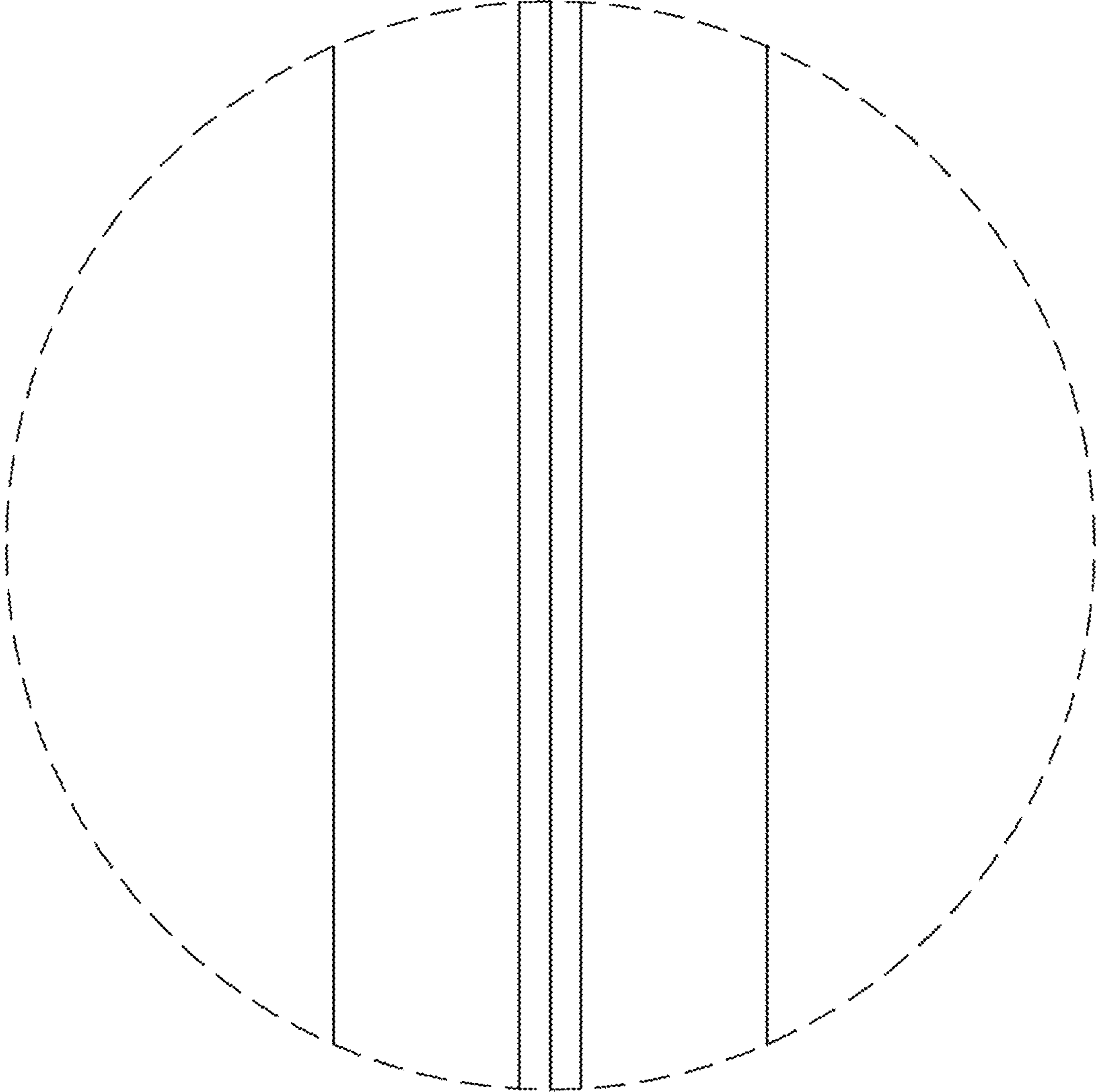




FIG. 9

