



US00D928087S

(12) **United States Design Patent** (10) **Patent No.:** **US D928,087 S**
Wang (45) **Date of Patent:** **** Aug. 17, 2021**

(54) **PLUG FOR A JUMP STARTER**

(71) Applicant: **AUTEL INTELLIGENT TECHNOLOGY CORP., LTD.**,
Guangdong (CN)

(72) Inventor: **Yongshuai Wang**, Guangdong (CN)

(73) Assignee: **AUTEL INTELLIGENT TECHNOLOGY CORP., LTD.**,
Shenzhen (CN)

(**) Term: **15 Years**

(21) Appl. No.: **29/720,266**

(22) Filed: **Jan. 10, 2020**

(30) **Foreign Application Priority Data**

Jul. 16, 2019 (CN) 201930378465.4

(51) **LOC (13) Cl.** **13-02**

(52) **U.S. Cl.**
USPC **D13/118**

(58) **Field of Classification Search**
USPC D13/101, 103, 107, 108, 110, 118, 119,
D13/120, 133, 137.1, 138.1, 138.2, 146,
D13/147, 151, 156, 184, 199
CPC H01R 13/52; H01R 13/56; H01R 13/405;
H01R 13/447; H01R 13/717; H01R
13/5202; H01R 13/5227; H01R 13/6272;
H01R 13/6277; H01R 11/00; H01R
11/24; H02J 7/00; H02J 7/0045; H02J
7/0052; Y02T 90/14; Y02T 10/7072
See application file for complete search history.

(56) **References Cited**

U.S. PATENT DOCUMENTS

4,897,044	A *	1/1990	Rood	G01R 31/67 439/504
D340,241	S *	10/1993	Nakamura	D13/146
6,896,544	B1 *	5/2005	Kuelbs	H01R 11/24 439/504
D524,733	S *	7/2006	Disbennett	D13/120
D531,580	S *	11/2006	Nishio	D13/147
D553,087	S *	10/2007	Ashida	D13/133
D684,537	S *	6/2013	Herink	D13/133
D771,573	S *	11/2016	Lowchareonkul	D13/156

* cited by examiner

Primary Examiner — Derrick E Holland

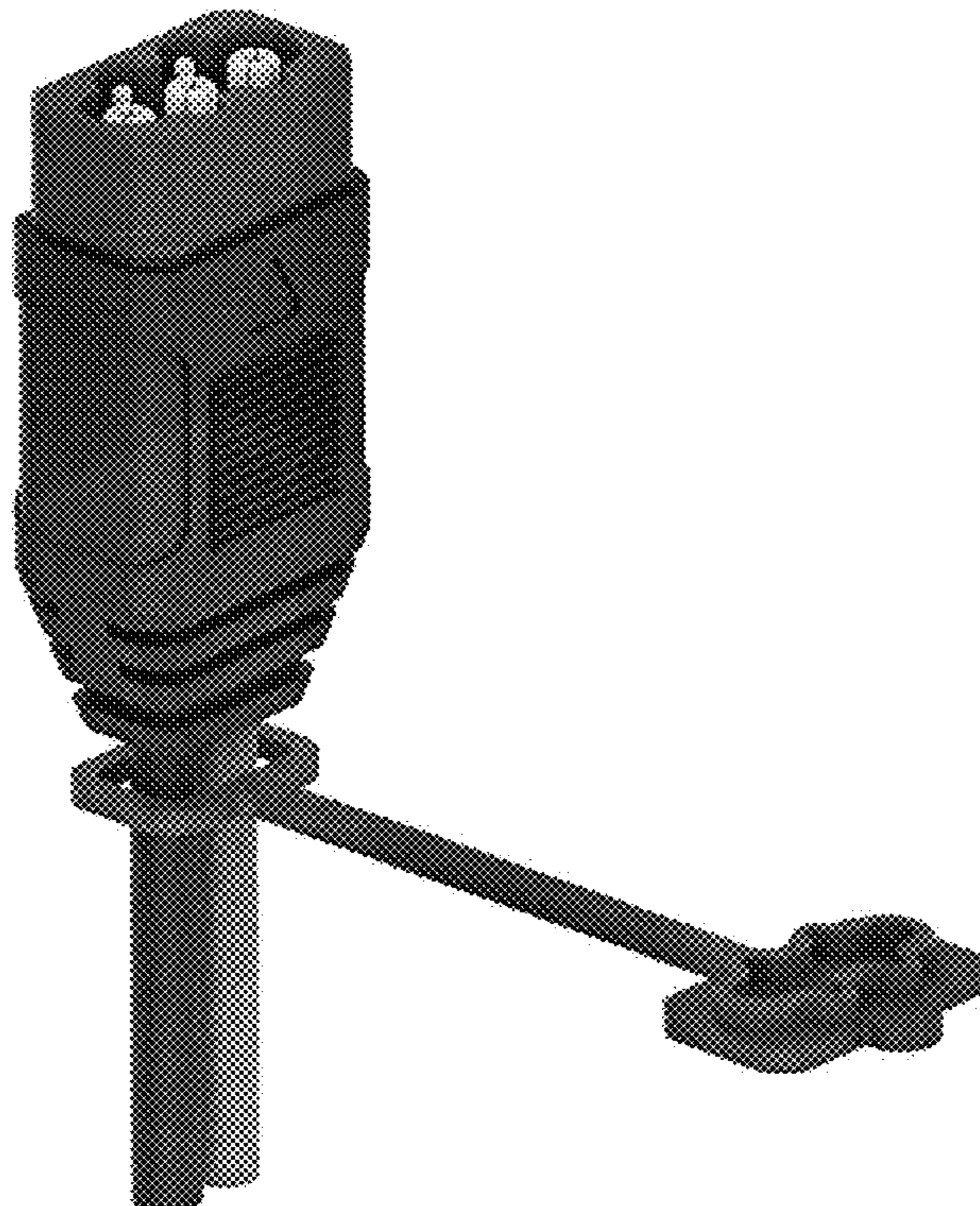
(57) **CLAIM**

I claim the ornamental design for a plug for a jump starter, as shown and described.

DESCRIPTION

FIG. 1 is a front elevational view of a plug for a jump starter showing our new design;
 FIG. 2 is a back elevational view thereof;
 FIG. 3 is a left side elevational view thereof;
 FIG. 4 is a right side elevational view thereof;
 FIG. 5 is a top plan view thereof;
 FIG. 6 is a bottom plan view thereof; and,
 FIG. 7 is a perspective view thereof.

1 Claim, 7 Drawing Sheets



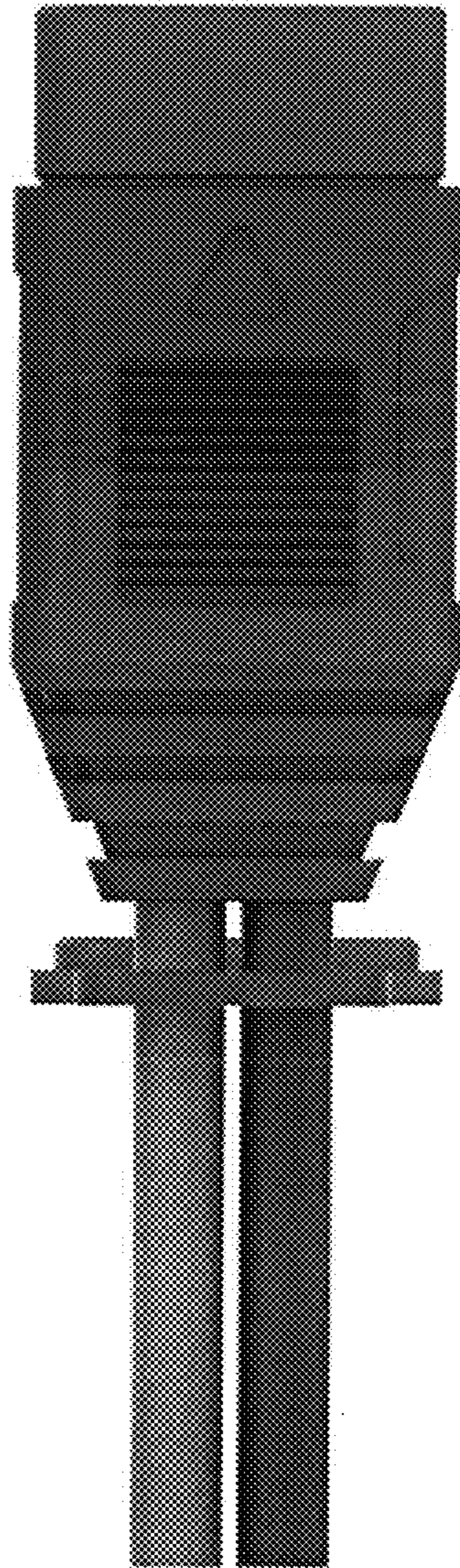


FIG.1

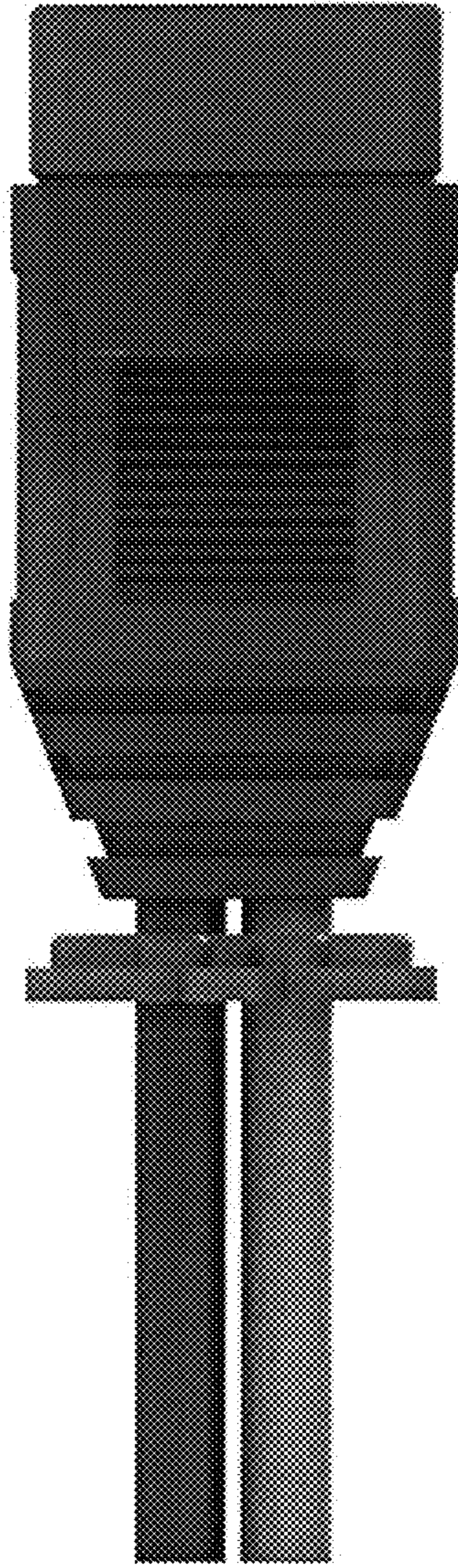


FIG.2

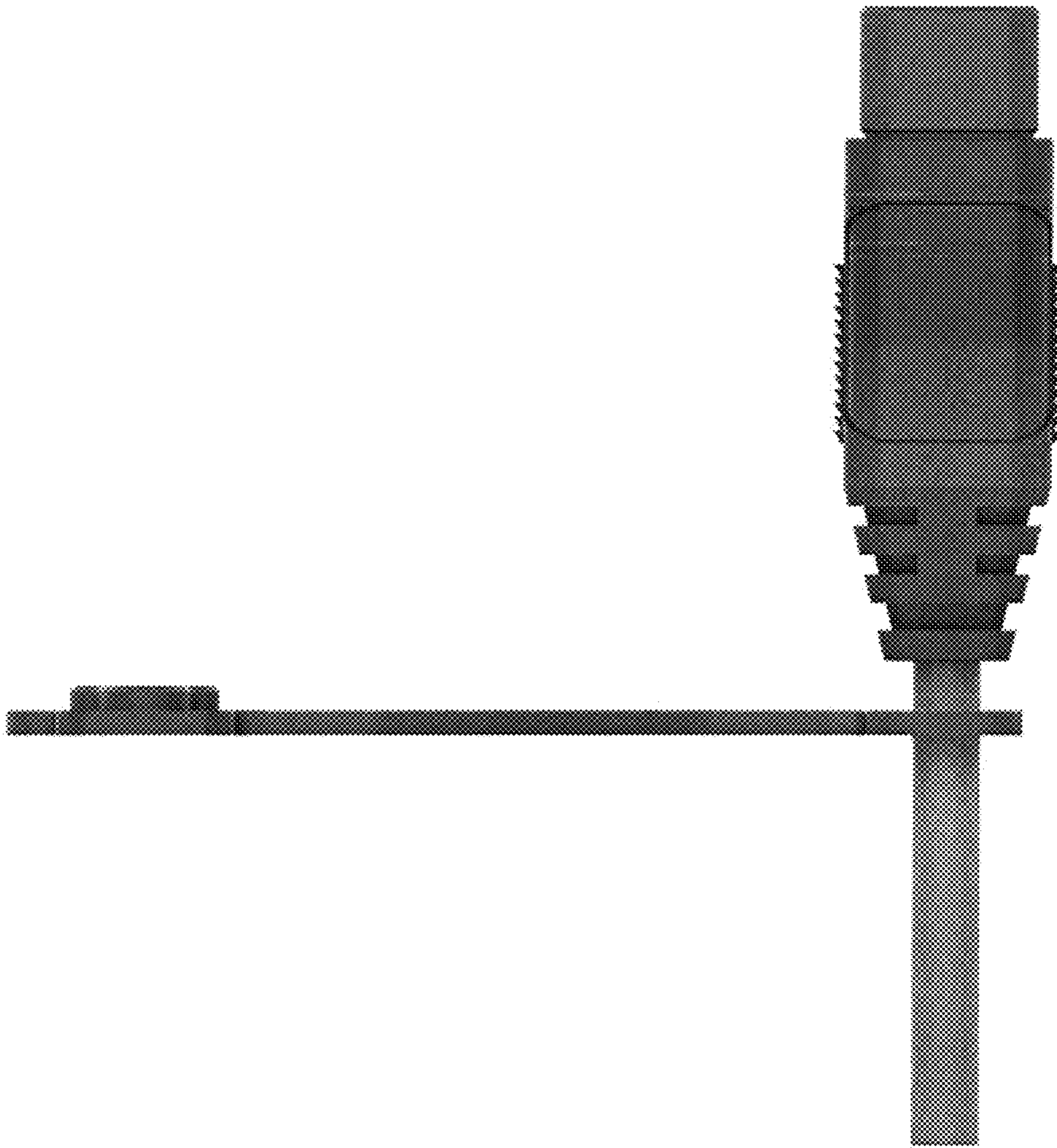


FIG.3



FIG.4

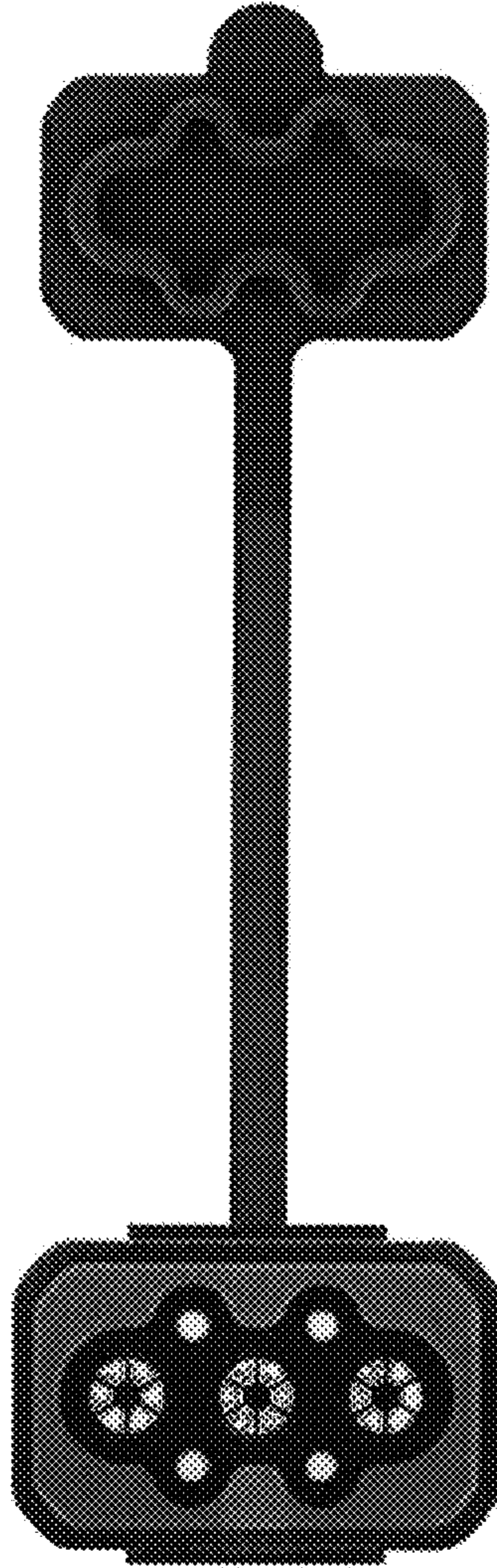


FIG.5

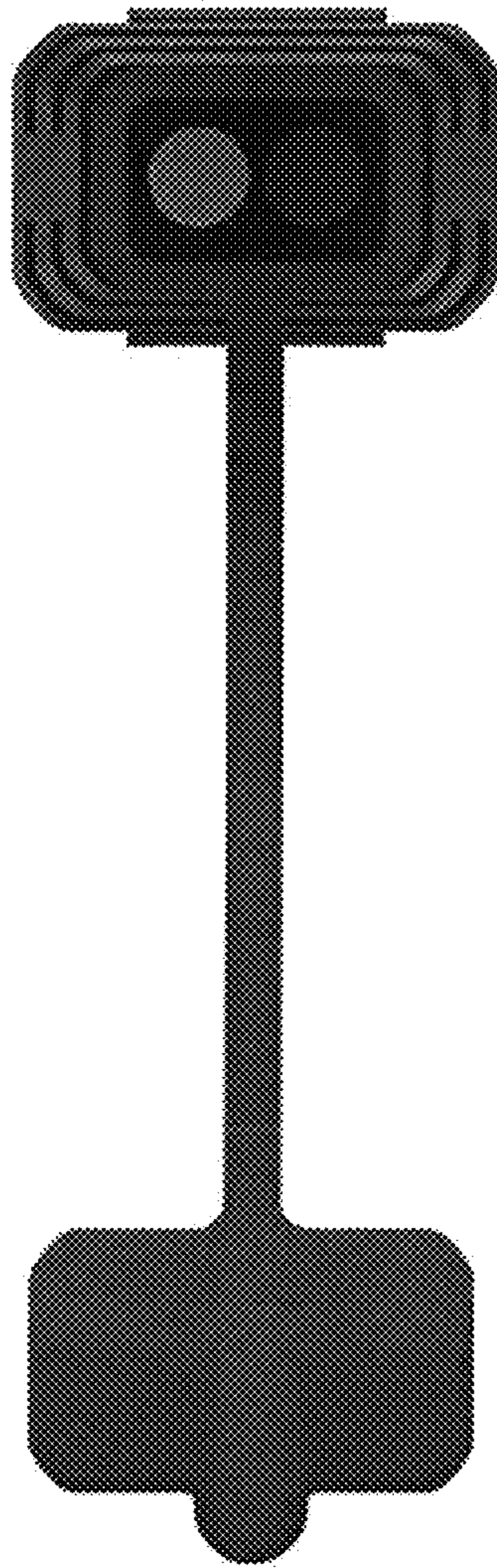


FIG.6

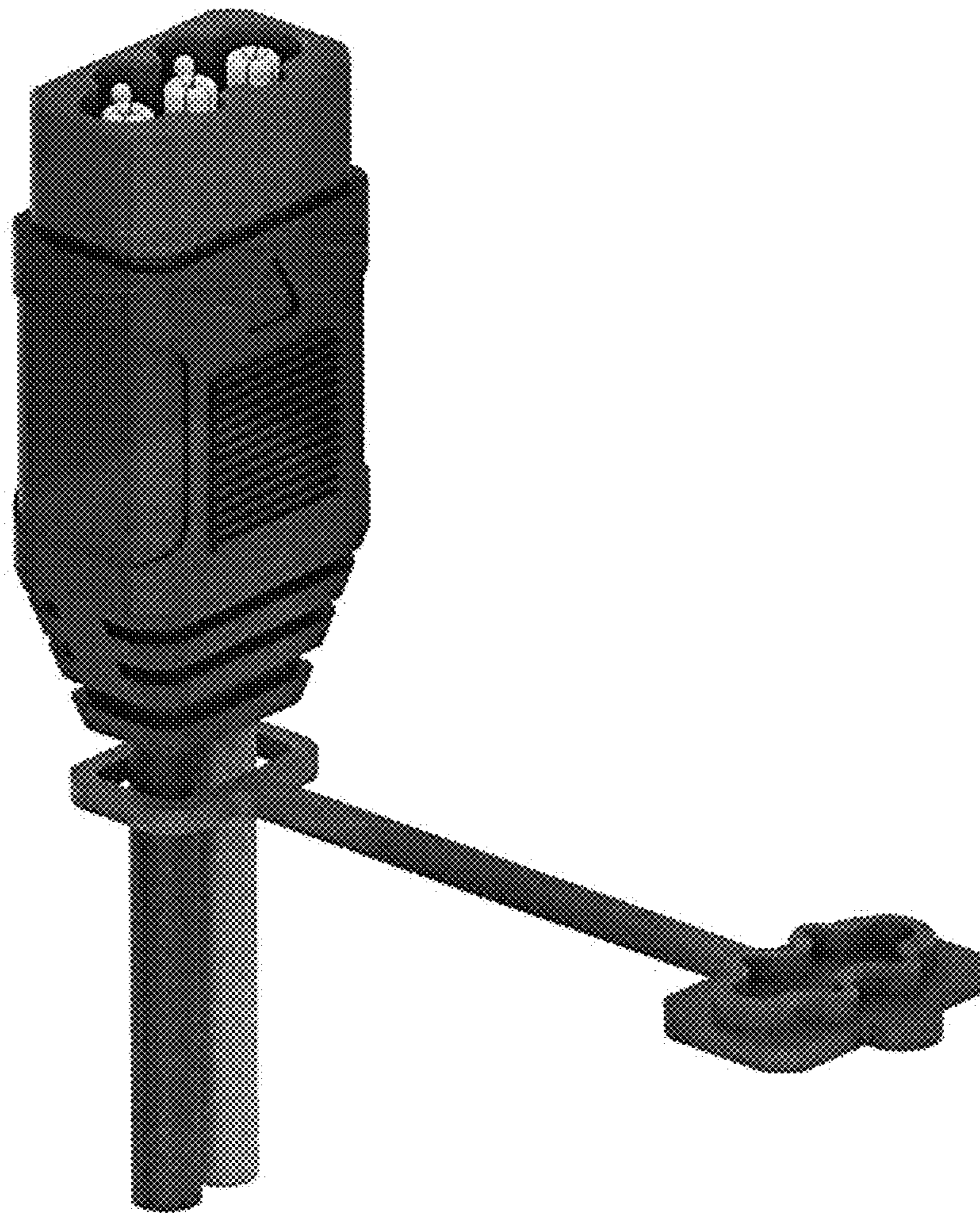


FIG.7