



US00D928086S

(12) **United States Design Patent**  
**Mu et al.**

(10) **Patent No.:** **US D928,086 S**

(45) **Date of Patent:** **\*\* Aug. 17, 2021**

(54) **INVERTER**

(71) Applicant: **Siemens Aktiengesellschaft**, Munich  
(DE)

(72) Inventors: **Rong Liang Mu**, Nanjing (CN); **Hai Jun Wang**, Nanjing (CN); **Guan Yong Yu**, Nanjing (CN)

(73) Assignee: **Siemens Aktiengesellschaft**, Munich  
(DE)

(\*\*) Term: **15 Years**

(21) Appl. No.: **29/696,932**

(22) Filed: **Jul. 2, 2019**

(30) **Foreign Application Priority Data**

Jan. 3, 2019 (CN) ..... 201930002255.5

(51) **LOC (13) Cl.** ..... **13-02**

(52) **U.S. Cl.**  
USPC ..... **D13/110**

(58) **Field of Classification Search**  
USPC ..... D13/110, 107, 112, 118, 146, 152, 153,  
D13/154, 173, 175, 178, 199, 184,  
D13/123-132, 54

CPC ..... H01R 13/641; H01M 2/1022; H01M  
2/1027; H01M 2/1072; H01M 2/105;  
H01M 2/1077; H02B 1/20

See application file for complete search history.

(56) **References Cited**

**U.S. PATENT DOCUMENTS**

D396,210 S \* 7/1998 Shiga ..... D13/110  
D482,008 S \* 11/2003 Petronio ..... D13/184  
D555,091 S \* 11/2007 Kawase ..... D13/133  
D570,778 S \* 6/2008 Yu ..... D13/123  
D592,138 S \* 5/2009 Mahaffey ..... D13/110  
D631,436 S \* 1/2011 Huang ..... D13/110  
8,879,918 B1 \* 11/2014 Wang ..... G02B 6/36  
398/135  
D729,731 S \* 5/2015 Dasbach ..... D13/110

D739,352 S \* 9/2015 Benn ..... D13/123  
D754,603 S \* 4/2016 Takano ..... D13/123  
D793,955 S \* 8/2017 Yang ..... D13/107  
D872,023 S \* 1/2020 Huang ..... D13/124

**FOREIGN PATENT DOCUMENTS**

CN 305774274 \* 5/2020  
WO WO-2017111947 A1 \* 6/2017 ..... G02B 6/4292  
WO WO-2017152395 A1 \* 9/2017 ..... G02B 6/445

**OTHER PUBLICATIONS**

Amazon. Link: [https://www.amazon.com/dp/B08GHVYVQ6/ref=cm\\_sw\\_em\\_r\\_mt\\_dp\\_A7qsFb33ZRJAG](https://www.amazon.com/dp/B08GHVYVQ6/ref=cm_sw_em_r_mt_dp_A7qsFb33ZRJAG). Visited Aug. 28, 2020. GUOYULIN Power Inverter. (Year: 2020).\*

\* cited by examiner

*Primary Examiner* — Lauren D McVey

(74) *Attorney, Agent, or Firm* — Henry M. Feiereisen  
LLC

(57) **CLAIM**

The ornamental design for an inverter, as shown and described.

**DESCRIPTION**

FIG. 1 is a front, bottom and right side perspective view of an inverter, showing our new design;

FIG. 2 is a rear, bottom and right side perspective view thereof;

FIG. 3 is a front view thereof;

FIG. 4 is a rear view thereof;

FIG. 5 is a left side view thereof;

FIG. 6 is a right side view thereof;

FIG. 7 is a top view thereof; and,

FIG. 8 is a bottom view thereof.

The broken line portion of the figure drawings represents structures forming no part of the claimed design.

The wire frame lines shown throughout the views indicate surface contour.

**1 Claim, 8 Drawing Sheets**

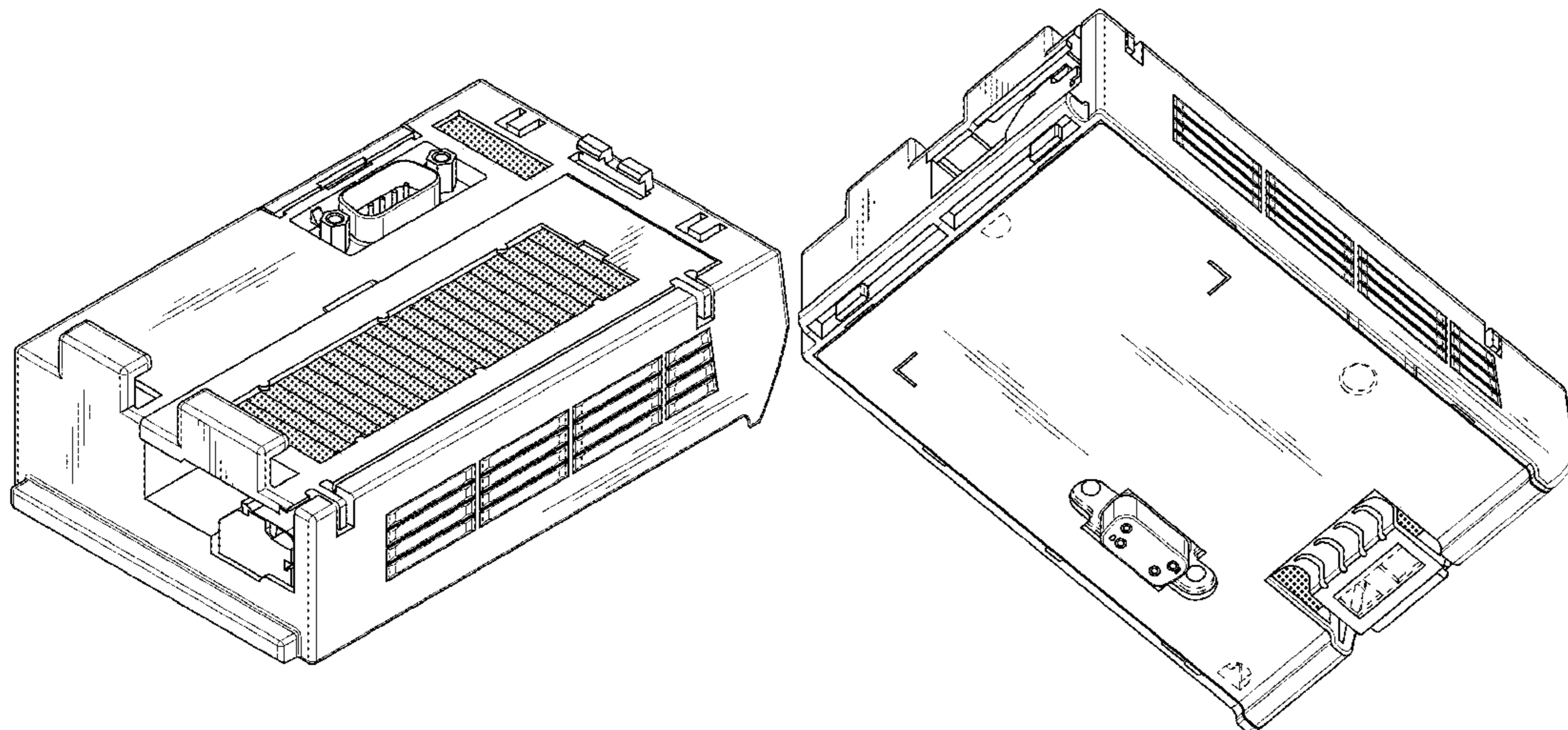


FIG. 1

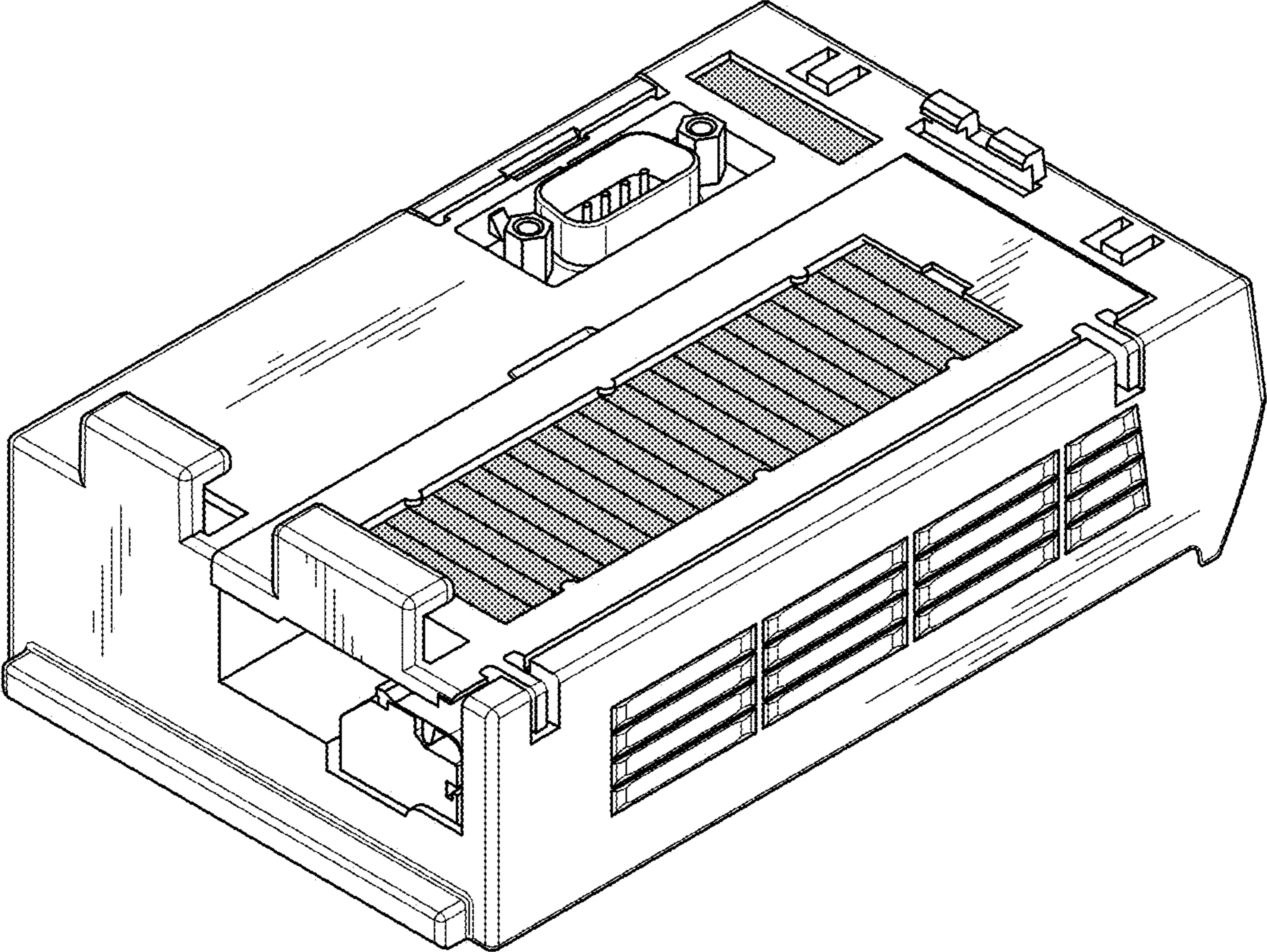


FIG. 2

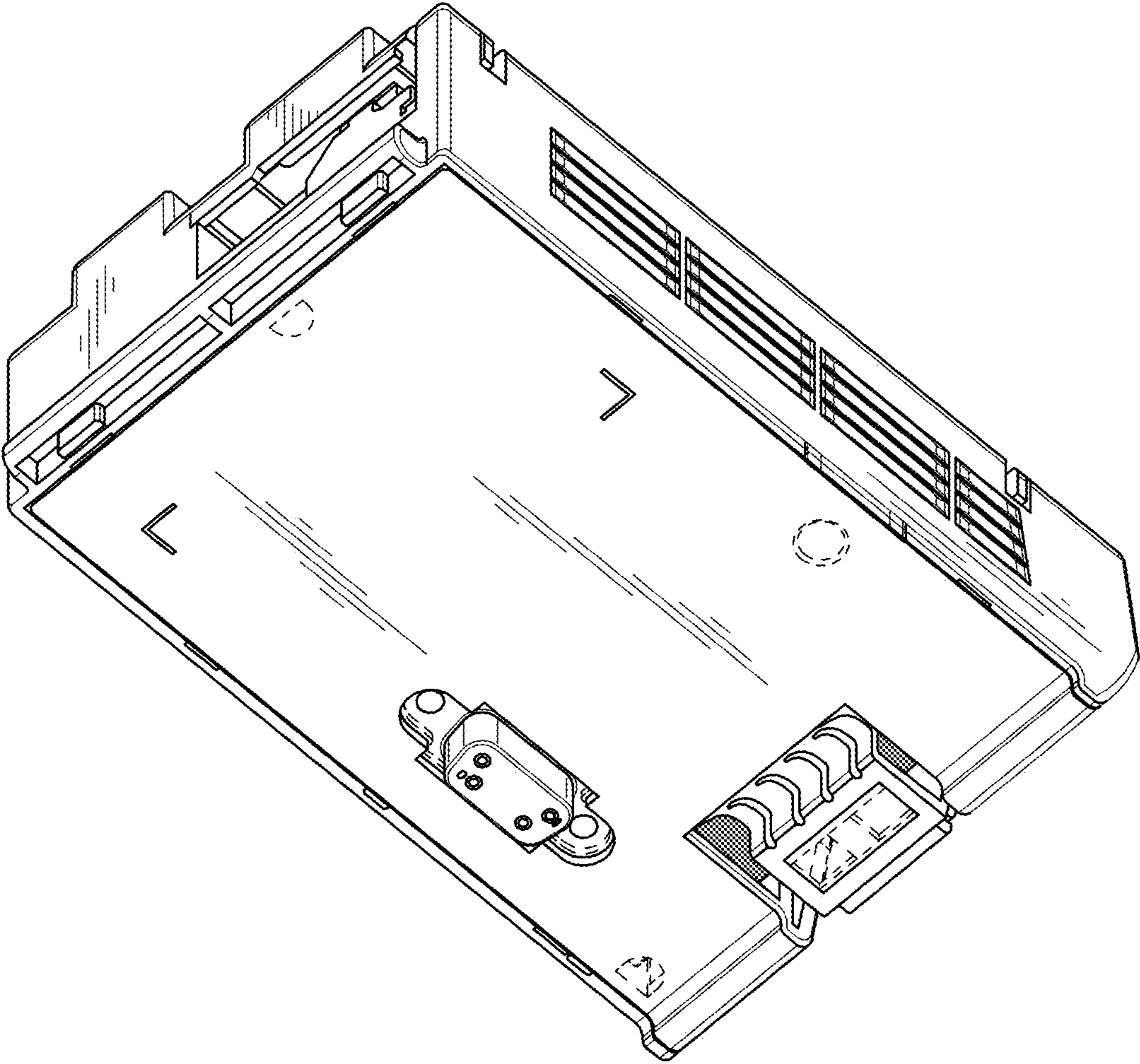


FIG. 3

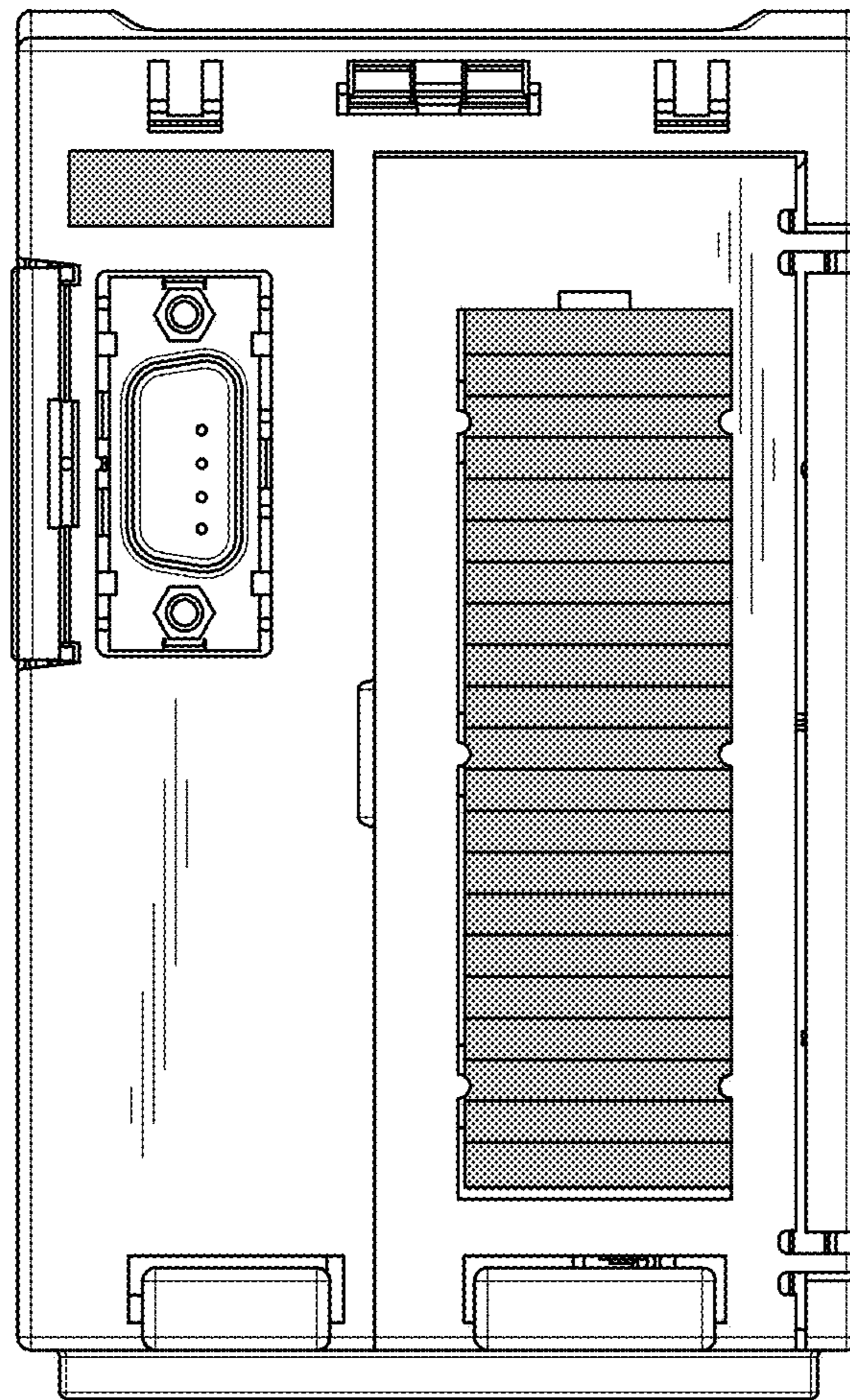


FIG. 4

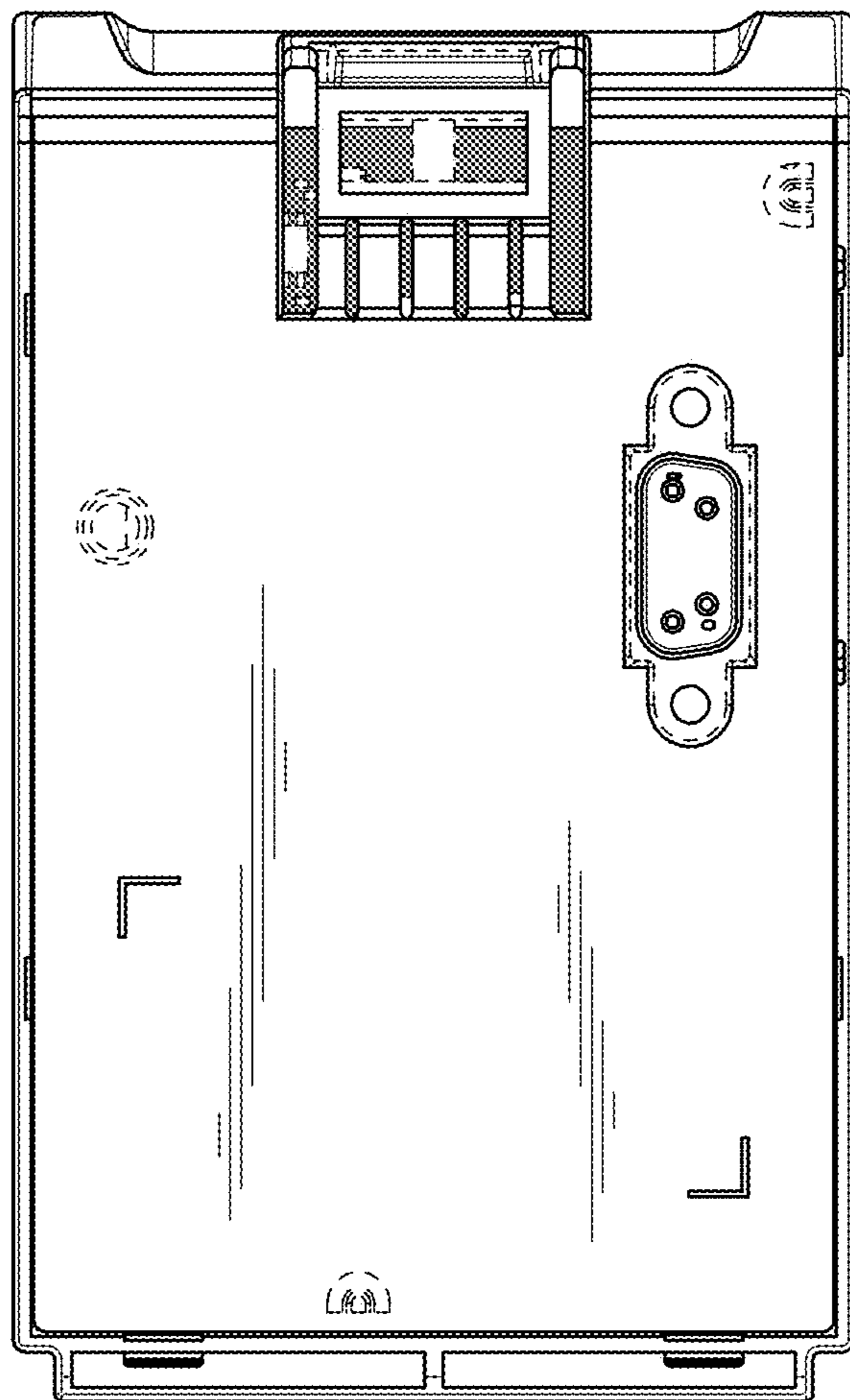


FIG. 5

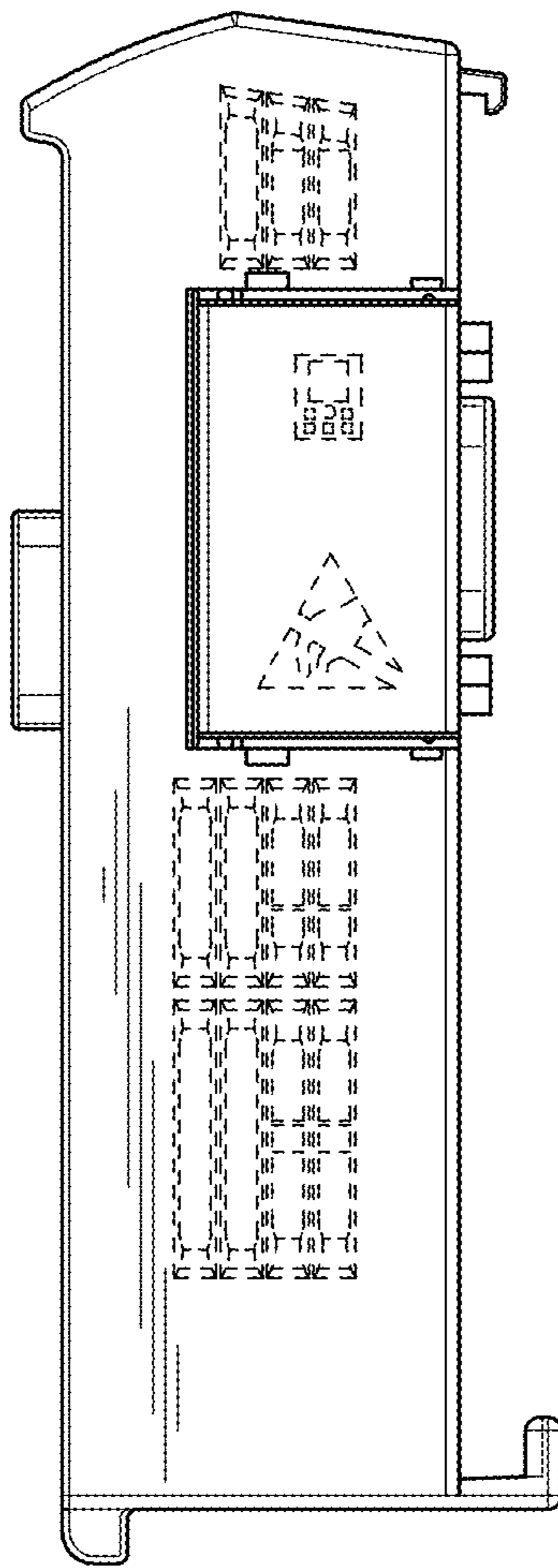


FIG. 6

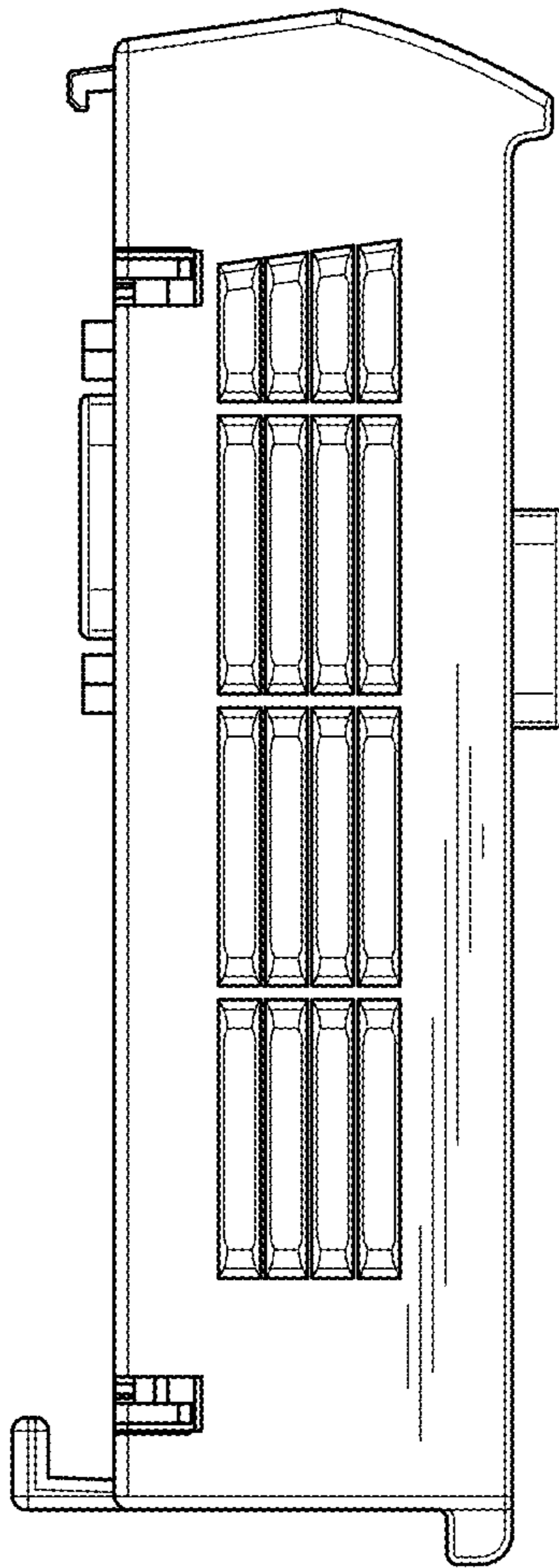


FIG. 7

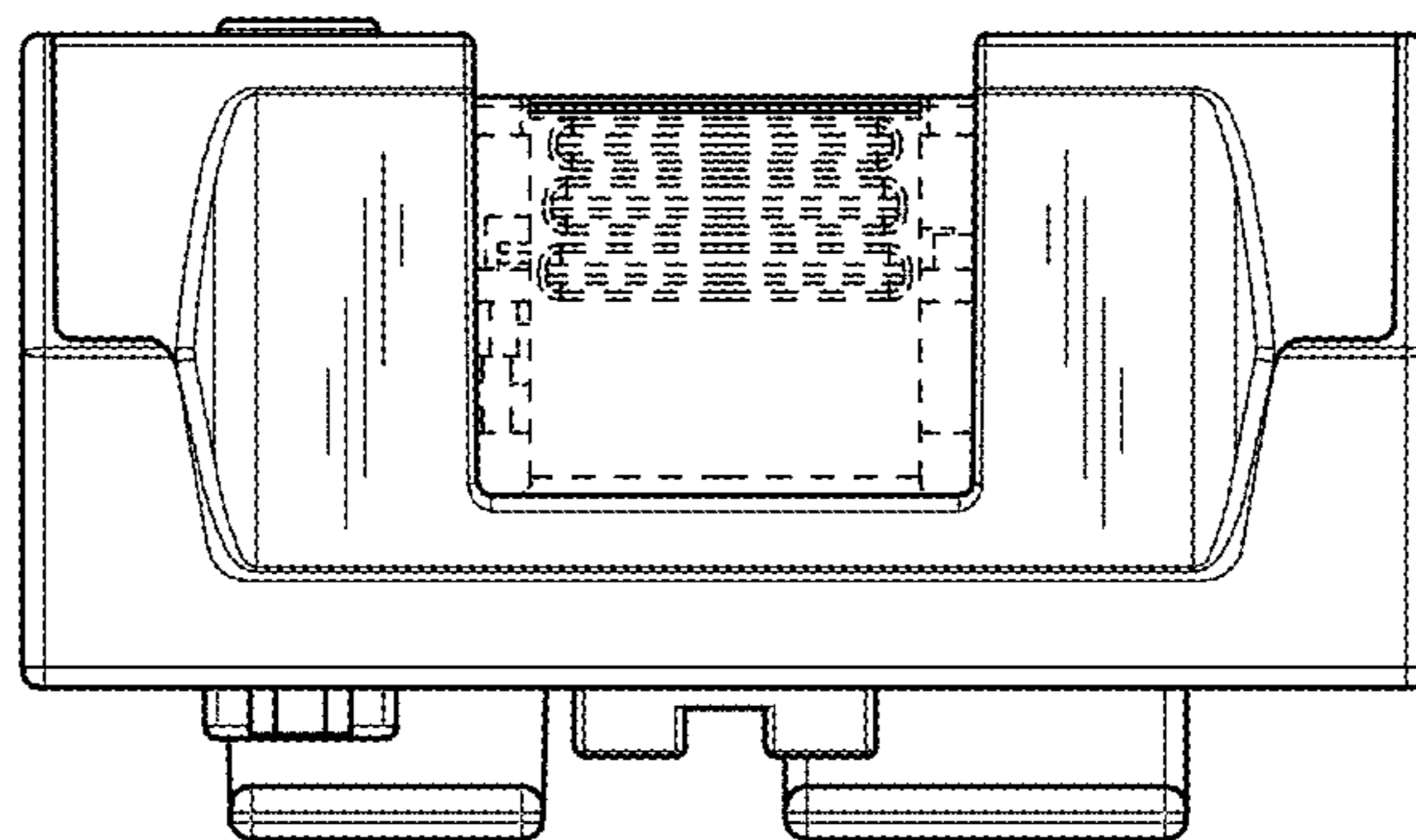




FIG. 8

