



US00D928085S

(12) **United States Design Patent** (10) **Patent No.:** **US D928,085 S**
Li et al. (45) **Date of Patent:** **** Aug. 17, 2021**

(54) **HOUSE FOR ROBOTIC MOWER**
(71) Applicant: **Globe (Jiangsu) Co., Ltd**, Jiangsu (CN)
(72) Inventors: **Sheng Li**, Jiangsu (CN); **Johan Örtlund**, Jiangsu (CN); **Jens Näslund**, Jiangsu (CN)
(73) Assignee: **Globe (Jiangsu) Co., Ltd**, Changzhou (CN)
(**) Term: **15 Years**
(21) Appl. No.: **29/735,119**
(22) Filed: **May 19, 2020**
(30) **Foreign Application Priority Data**
Nov. 28, 2019 (CN) 201930660361.2

(51) **LOC (13) Cl.** **13-02**
(52) **U.S. Cl.**
USPC **D13/108**
(58) **Field of Classification Search**
USPC D15/14, 17, 18; D32/31, 25, 107-110; D13/118, 119, 184, 108; D14/251, 253, D14/432, 434
CPC A01D 34/008; A01D 34/81; A01D 34/416; A01D 34/4166; A01D 34/4167; A01D 34/87; A01D 34/90; B60L 1/003; B60L 3/0061; B60L 11/1803; B60L 11/1805; B60L 11/1877; B60L 15/20; B60L 2260/28; B60L 2200/40; B60L 2220/16; B60L 2220/46; B60L 2240/36; B60L 2240/421; B60L 11/82; A01G 3/04; A01G 3/0435; Y02E 60/12; Y02T 90/14; Y02T 90/122; Y02T 90/128; Y02T 90/163; H02J 7/0003; H01F 38/14; H01R 13/6675; H01M 2/1055; H01M 2/1022; H01M 10/44; H01M 10/46; H01M 10/425

See application file for complete search history.

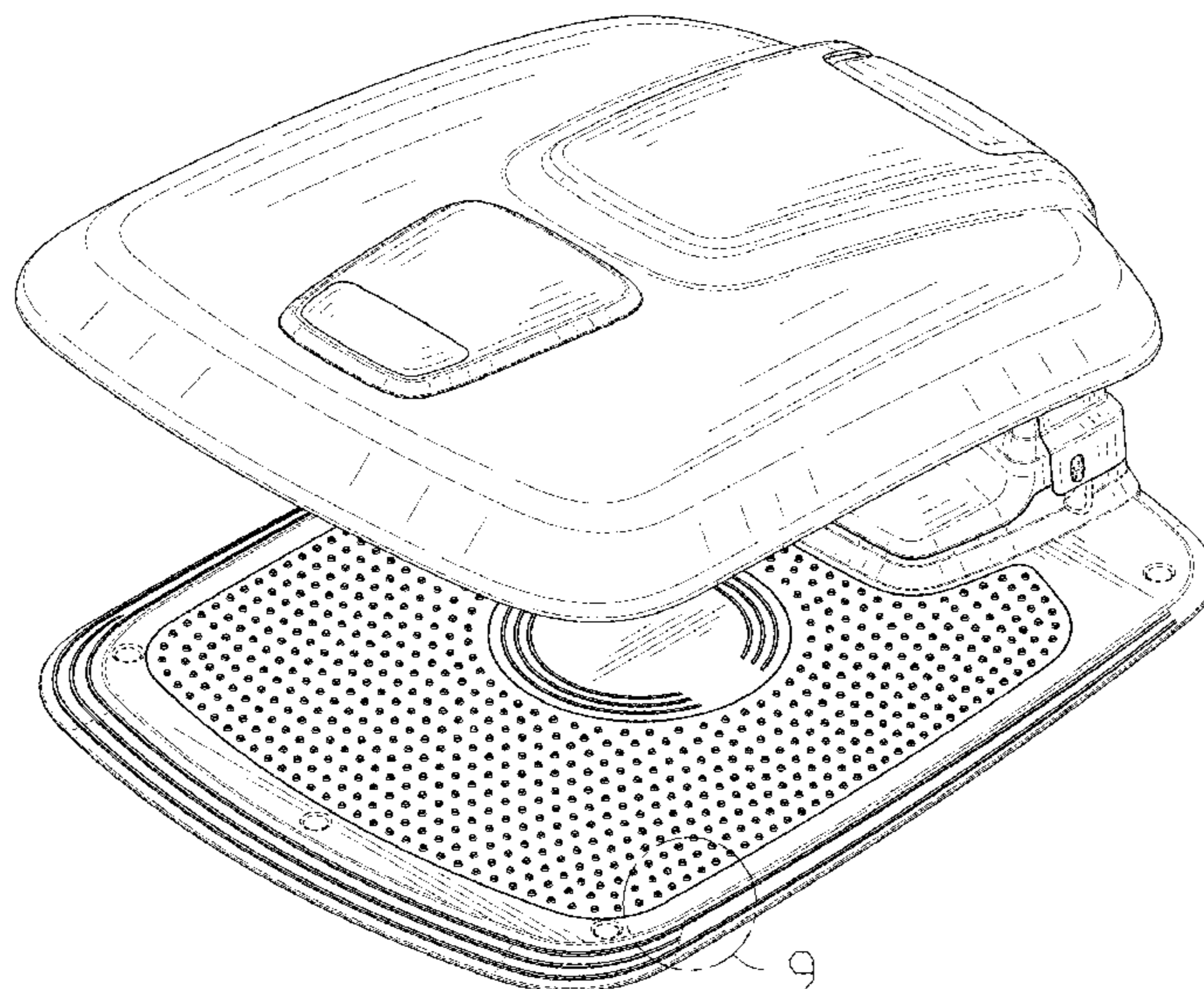
(56) **References Cited**
U.S. PATENT DOCUMENTS
D510,066 S * 9/2005 Hickey D13/108
D588,059 S * 3/2009 Fujita D13/108
D628,961 S * 12/2010 Kim D13/108
D639,237 S * 6/2011 Lee D13/108
D639,735 S * 6/2011 Lee D13/108
D675,154 S * 1/2013 Nam D13/108
D691,553 S * 10/2013 Deoksang D13/108
D712,827 S * 9/2014 Maeda D13/108
D729,280 S * 5/2015 Naslund A01D 34/008 D15/17
D760,649 S * 7/2016 Cmich D13/108
D776,054 S * 1/2017 Cmich D13/108
D821,973 S * 7/2018 Maeda D13/108
(Continued)

Primary Examiner — Mark A Goodwin

(57) **CLAIM**
The ornamental design for a house for robotic mower, as shown and described.

DESCRIPTION
FIG. 1 is a top, front and right side perspective view of a house for robotic mower showing our new design;
FIG. 2 is a bottom, rear and left side perspective view thereof;
FIG. 3 is a front elevational view thereof;
FIG. 4 is a rear elevational view thereof;
FIG. 5 is a right side view thereof;
FIG. 6 is a left side view thereof;
FIG. 7 is a top plan view thereof;
FIG. 8 is a bottom plan view thereof;
FIG. 9 is an enlarged view of portion 9 in FIG. 1; and,
FIG. 10 is an enlarged view of portion 10 in FIG. 5.
The broken lines in the drawings illustrate portions of the house for robotic mower which form no part of the claimed design.

1 Claim, 10 Drawing Sheets



(56)

References Cited

U.S. PATENT DOCUMENTS

D837,150 S *	1/2019	Naslund	D13/108
2003/0094922 A1 *	5/2003	Petersson	A47L 9/009
			320/109
2007/0267998 A1 *	11/2007	Cohen	B25J 19/005
			320/109
2011/0089891 A1 *	4/2011	Pai	H02J 7/0044
			320/107

* cited by examiner

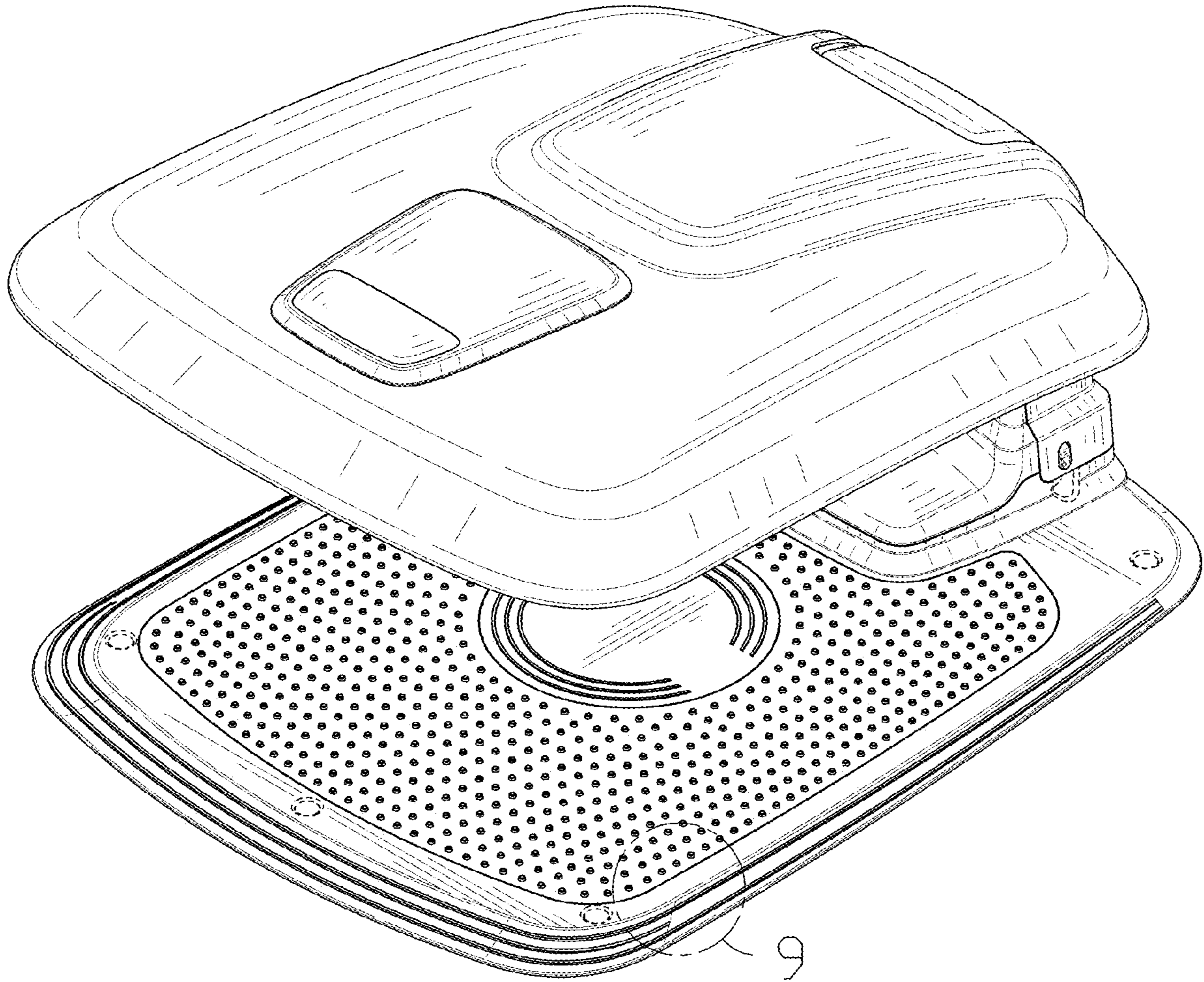


FIG. 1

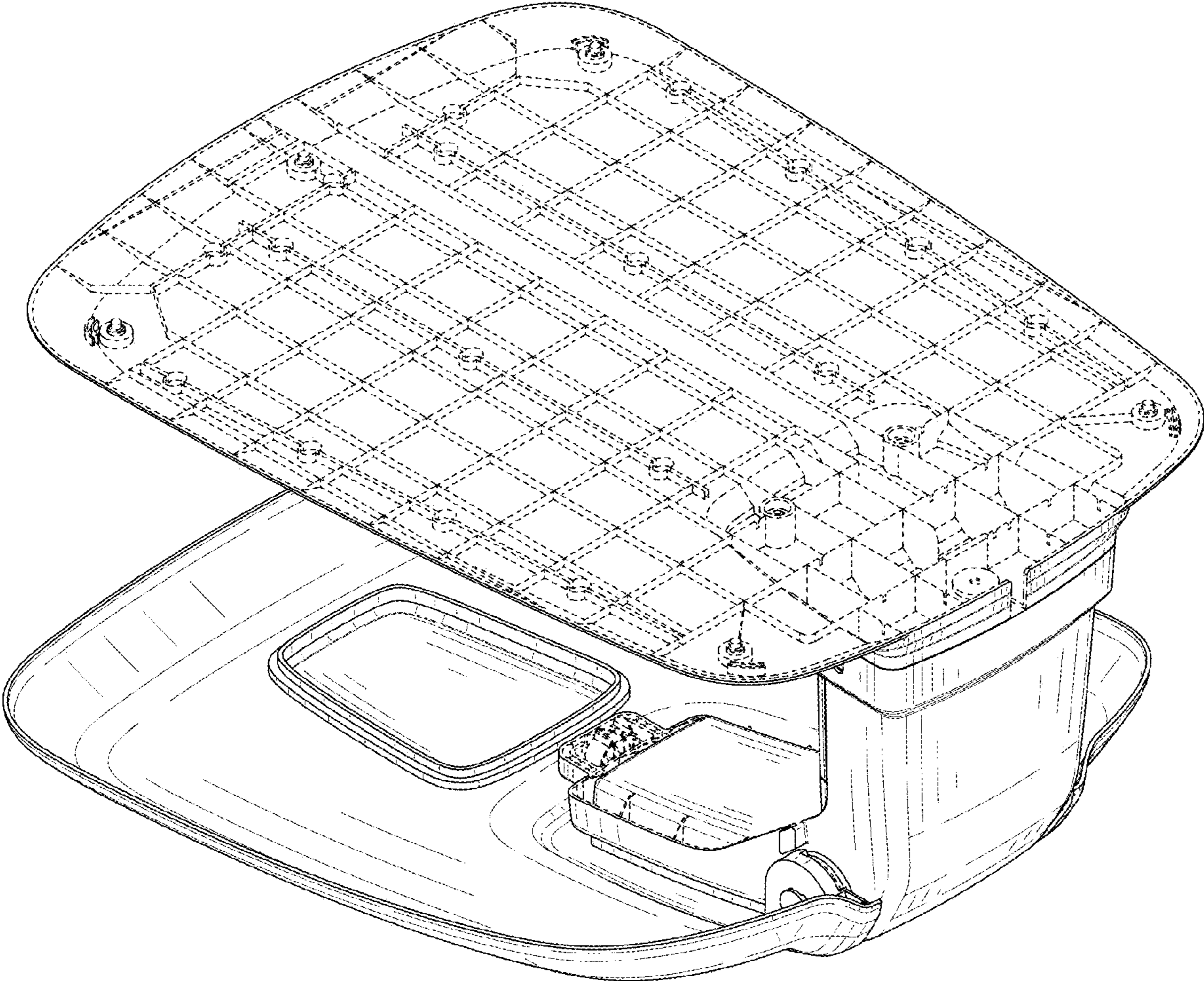


FIG. 2

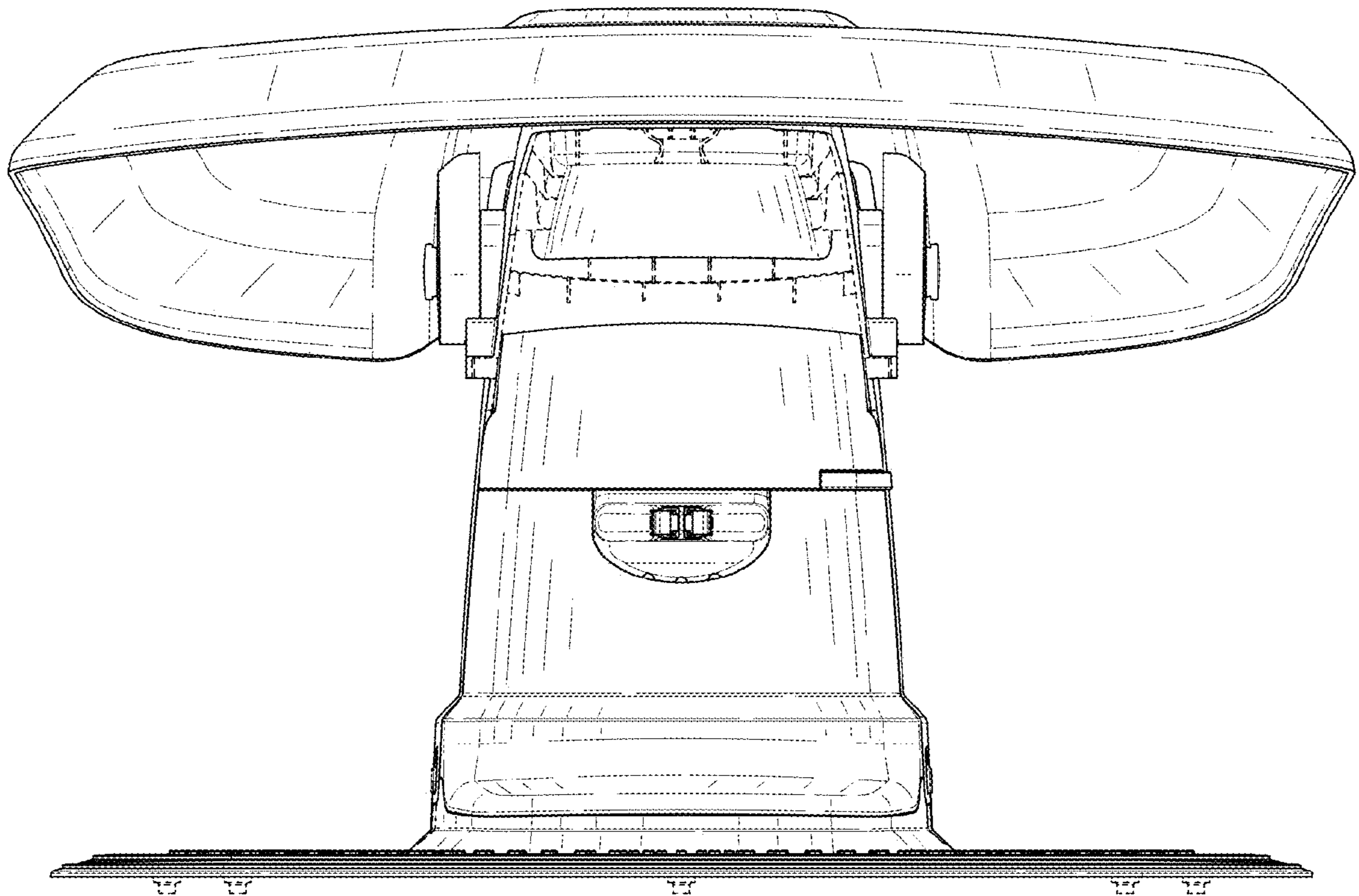


FIG. 3

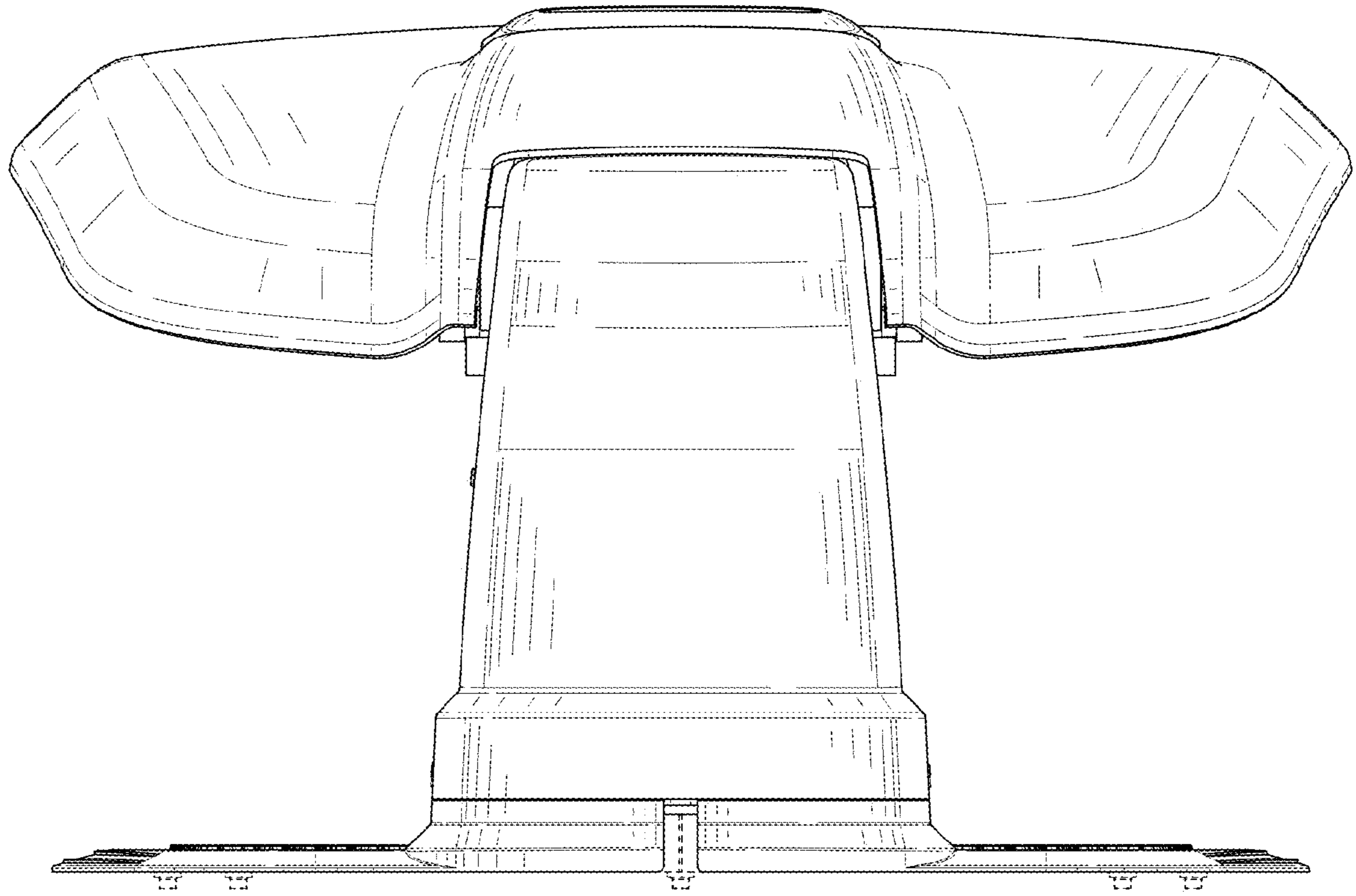


FIG. 4

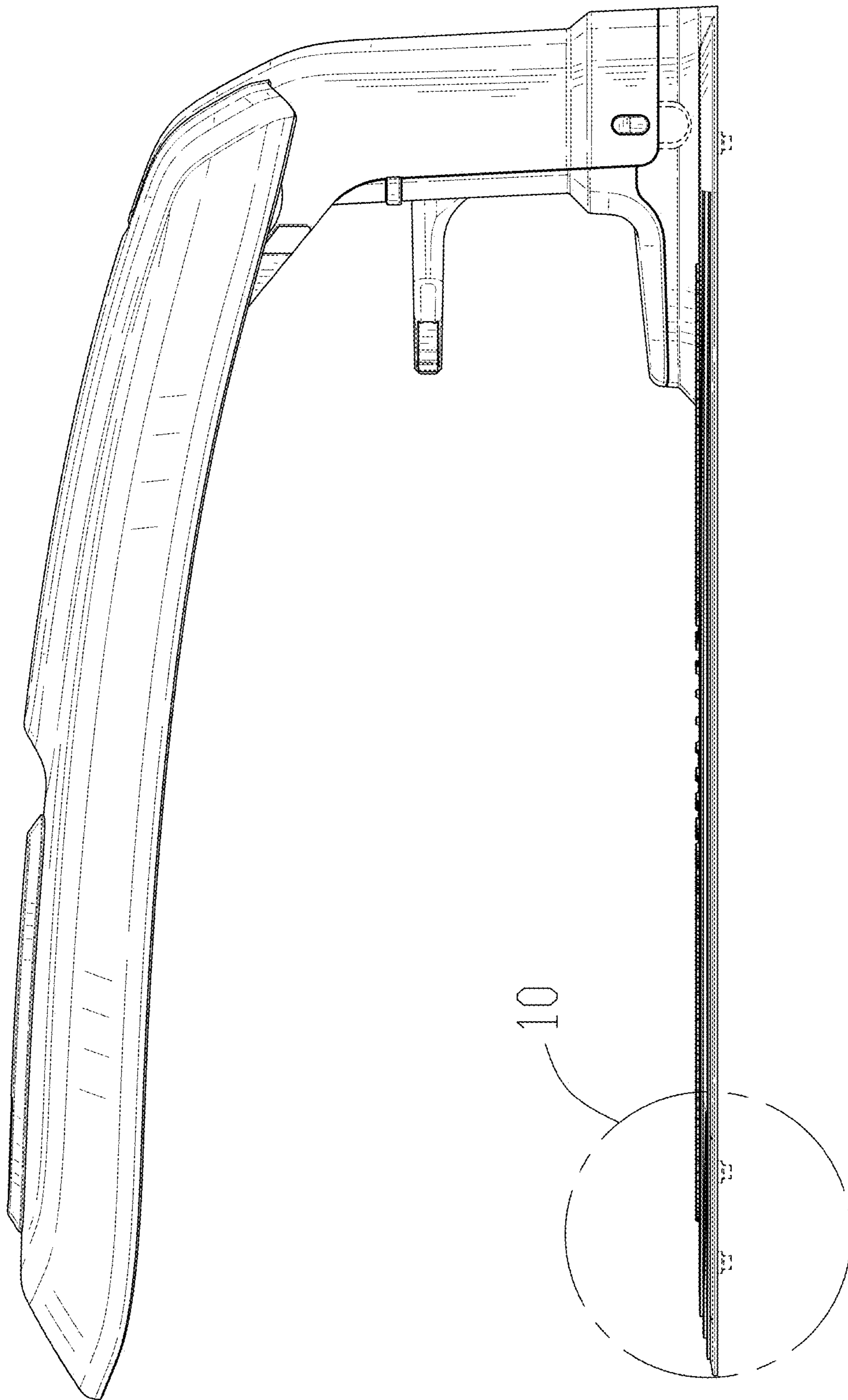


FIG. 5

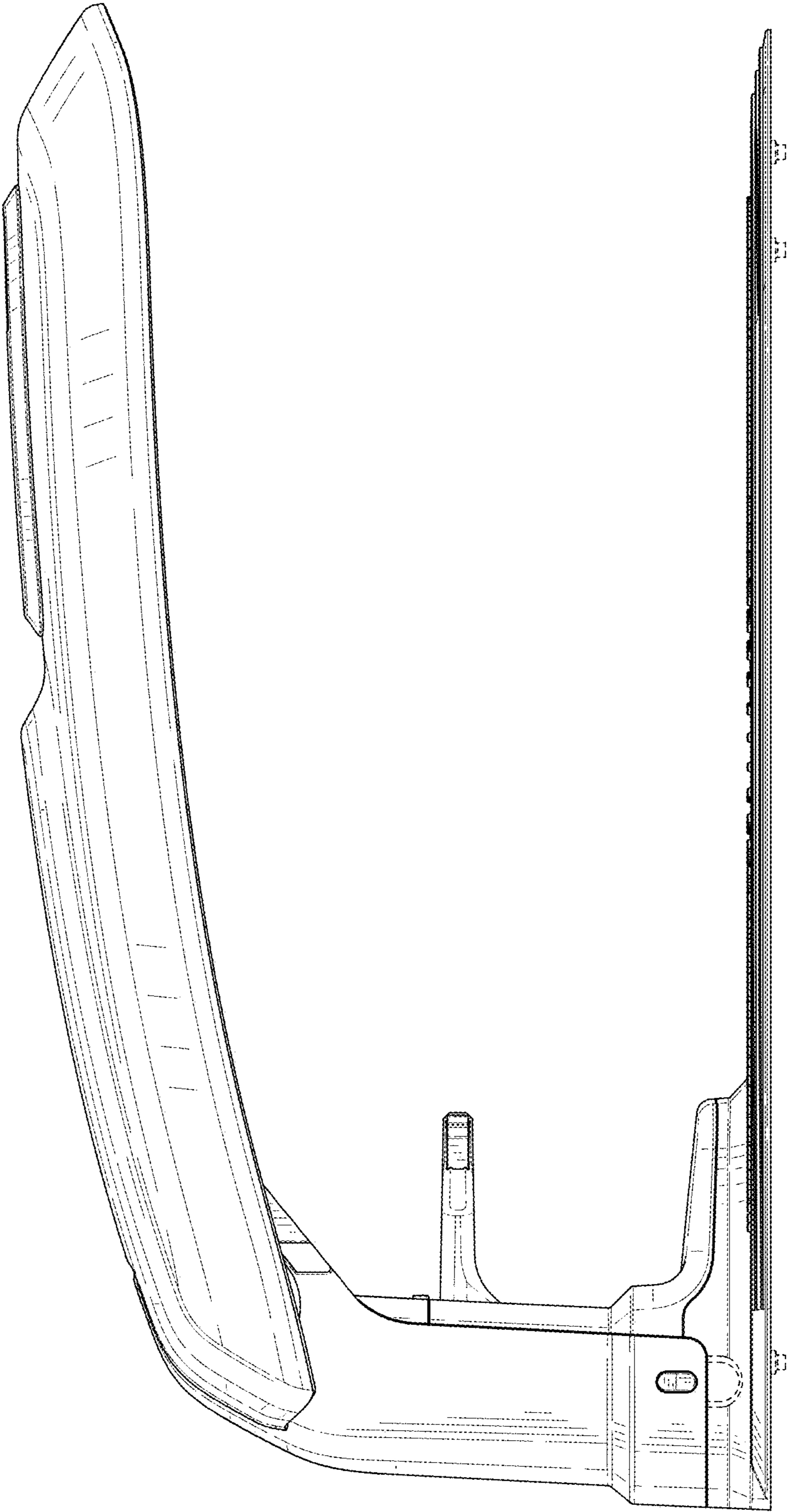


FIG. 6



FIG. 7

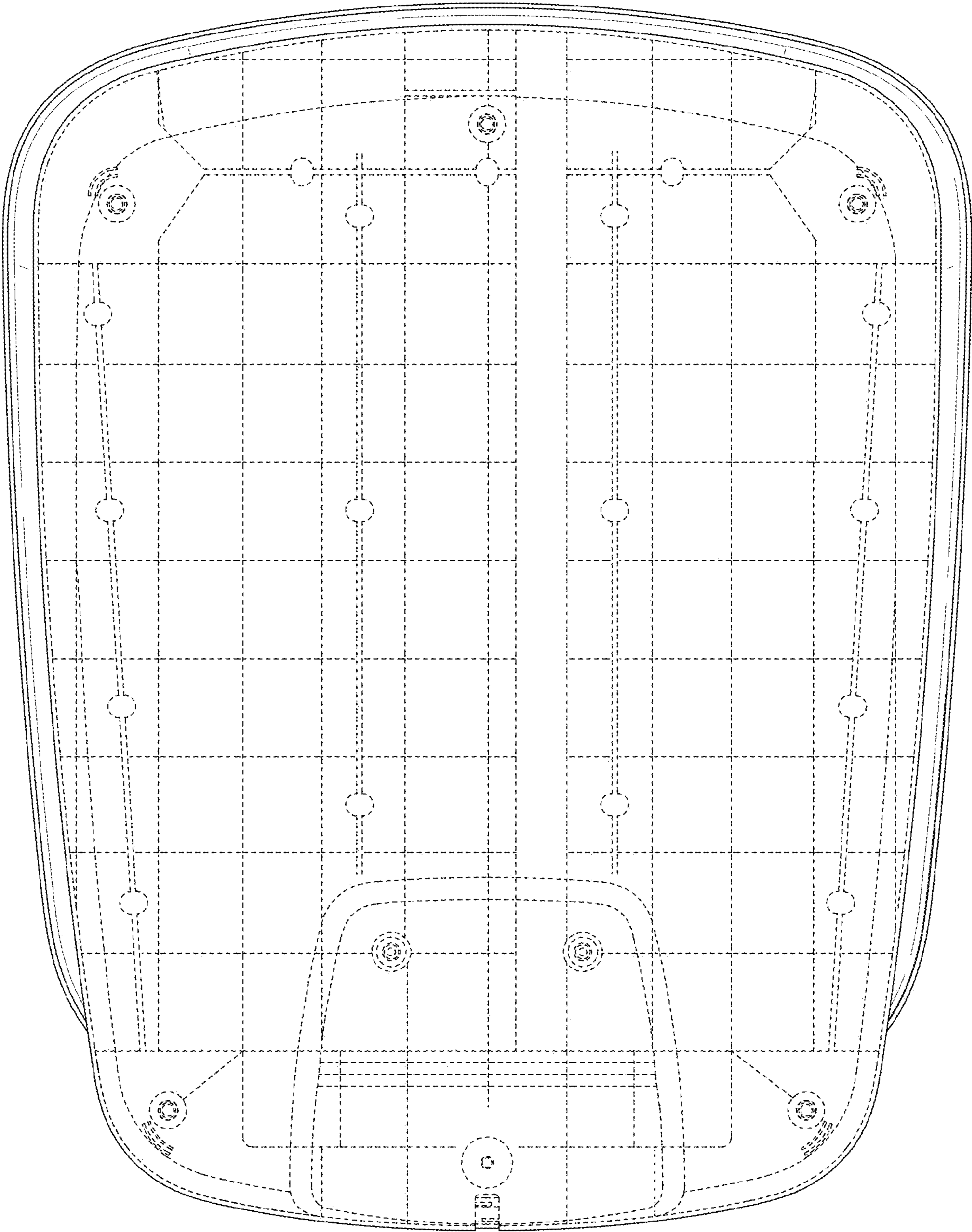


FIG. 8

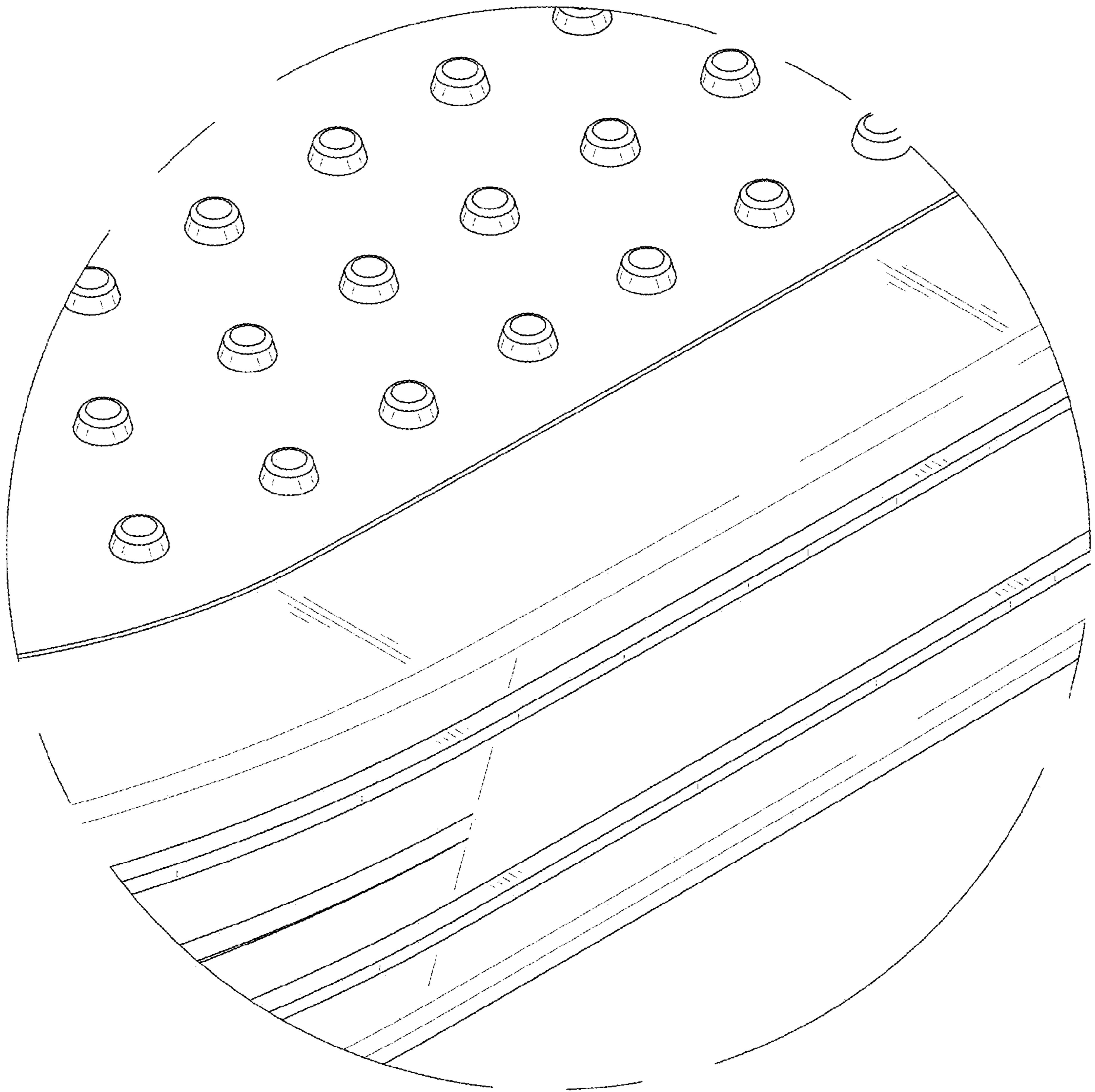


FIG. 9

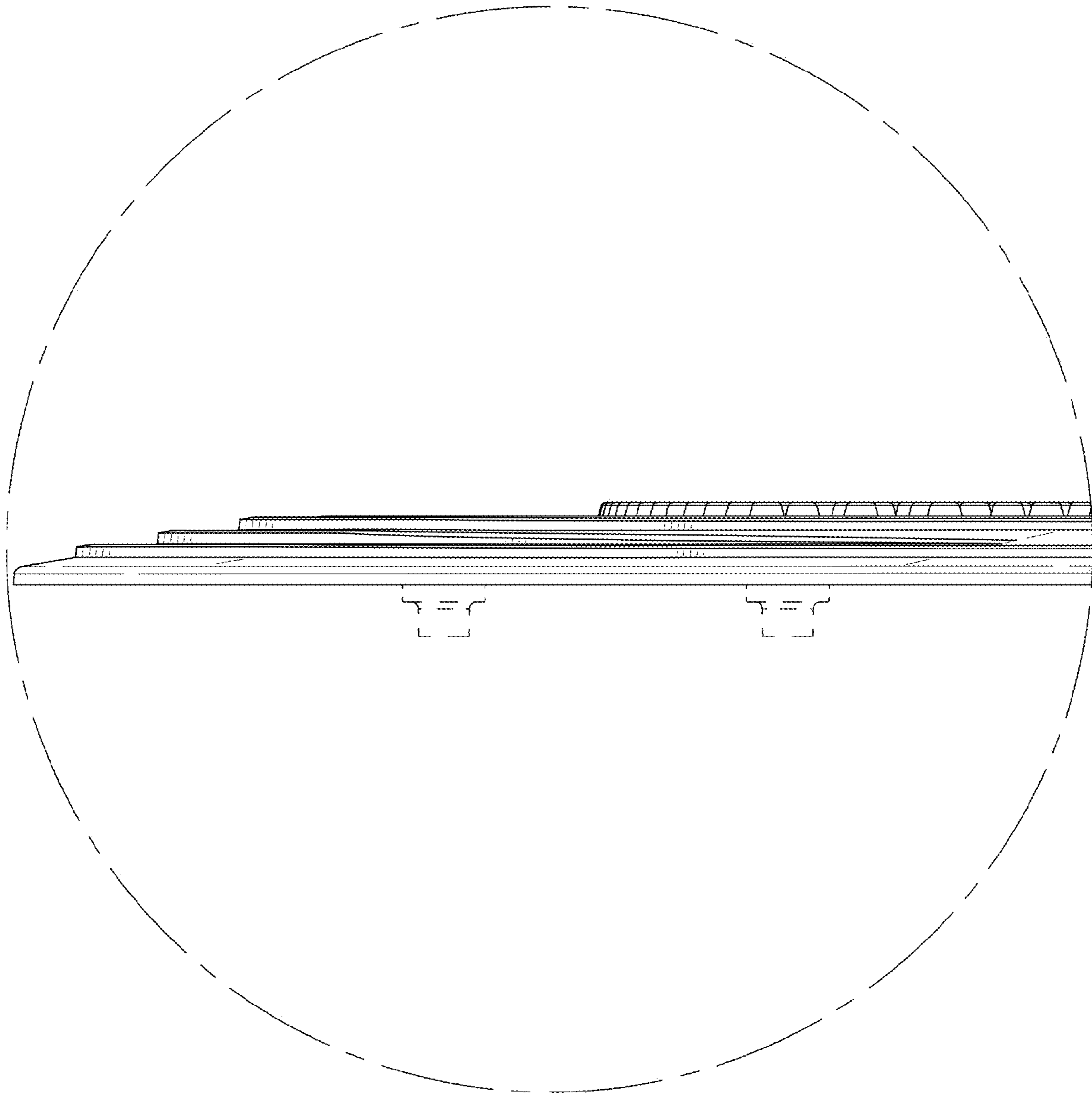


FIG. 10