



US00D928084S

(12) **United States Design Patent**
Junko et al.

(10) **Patent No.:** **US D928,084 S**

(45) **Date of Patent:** **** Aug. 17, 2021**

- (54) **WIRELESS CHARGING DEVICE**
- (71) Applicant: **Pass & Seymour, Inc.**, Syracuse, NY (US)
- (72) Inventors: **Theodore P. Junko**, Manlius, NY (US);
Richard M. Rohmer, Memphis, NY (US)
- (73) Assignee: **Pass & Seymour, Inc.**, Syracuse, NY (US)
- (**) Term: **15 Years**
- (21) Appl. No.: **29/727,654**
- (22) Filed: **Mar. 12, 2020**
- (51) **LOC (13) Cl.** **13-02**
- (52) **U.S. Cl.**
USPC **D13/108**; D8/350
- (58) **Field of Classification Search**
USPC D13/103, 110, 118–119, 184, 199,
D13/107–108, 139.3, 139.4; D14/251,
D14/253, 432, 434; D8/350, 353
CPC H02J 7/025; H02J 7/005; H02J 7/0026;
H02J 7/0042; H02J 7/0044; H02J 7/0045;
H02J 7/0013; H02J 7/0003; H02J 7/007;
H02J 7/0027; H02J 50/00; H02J 50/80;
H02J 50/10; H02J 50/12
See application file for complete search history.

(56) **References Cited**

U.S. PATENT DOCUMENTS

- D346,949 S * 5/1994 Comerci D8/353
- D405,347 S * 2/1999 Mezey D8/353
- D416,908 S * 11/1999 Whisenant D13/177
- D502,386 S * 3/2005 Provenzano D8/350
- D549,171 S * 8/2007 Sbordon, Jr. D13/108

- D564,860 S * 3/2008 Levin D8/350
- D568,719 S * 5/2008 Gorin D8/353
- 7,812,257 B2 * 10/2010 Gunderman H02G 3/14
174/66
- D688,201 S * 8/2013 Mecca D13/108
- D688,202 S * 8/2013 Mecca D13/108
- 9,065,263 B2 * 6/2015 Porcano H02G 3/14
- D888,044 S * 6/2020 Clemens D14/252
- 2012/0139484 A1 * 6/2012 Gunderman H02J 50/80
320/108
- 2014/0103179 A1 * 4/2014 Lipke H01R 13/72
248/231.91
- 2018/0109141 A1 * 4/2018 Makwinski H02J 50/00

* cited by examiner

Primary Examiner — Rosemary K Tarcza

(74) *Attorney, Agent, or Firm* — Bond, Schoeneck & King, PLLC; Frederick Price

(57) **CLAIM**

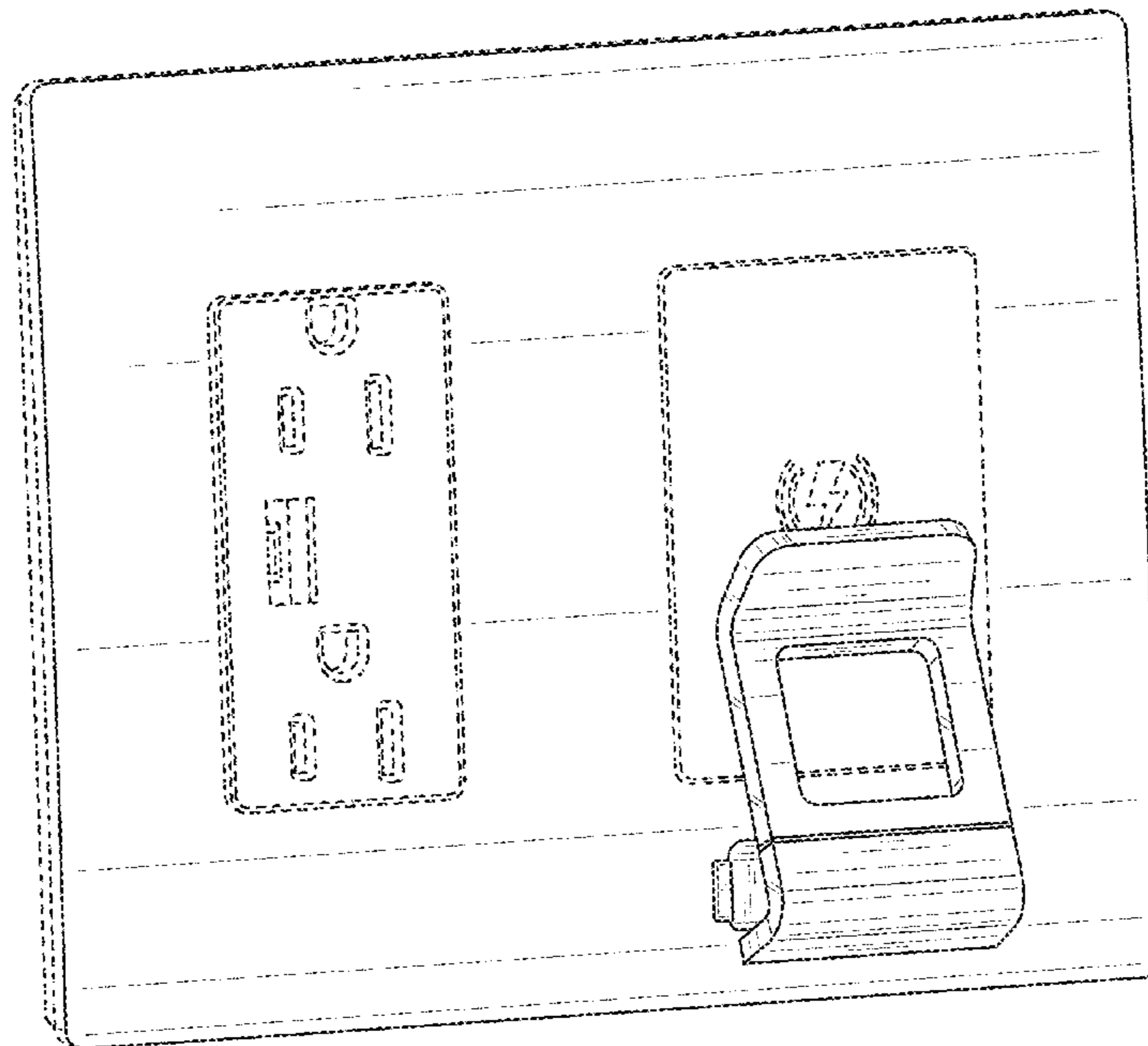
The ornamental design for a wireless charging device, as shown and described.

DESCRIPTION

FIG. 1 is a first isometric view illustrating the wireless charging device;
 FIG. 2 is a top plan view of the design depicted in FIG. 1;
 FIG. 3 is a first side view of the design depicted in FIG. 1;
 FIG. 4 is a second side view of the design depicted in FIG. 1;
 FIG. 5 is a bottom end view of the design depicted in FIG. 1; and,
 FIG. 6 is a second isometric view of the design depicted in FIG. 1.

The broken lines shown in the drawings illustrate portions of the wireless charging device that form no part of the claimed design.

1 Claim, 5 Drawing Sheets



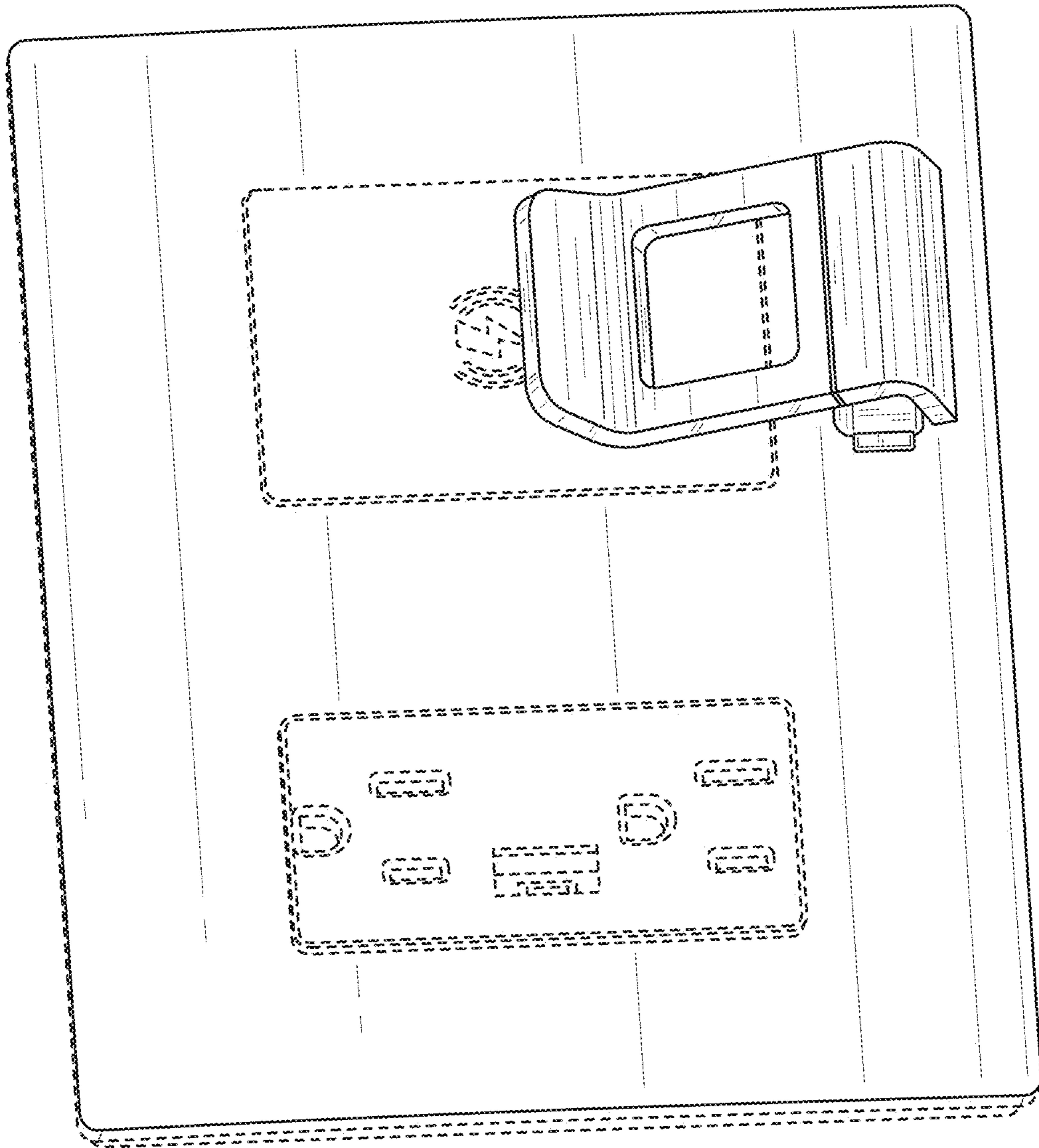


FIG. 1

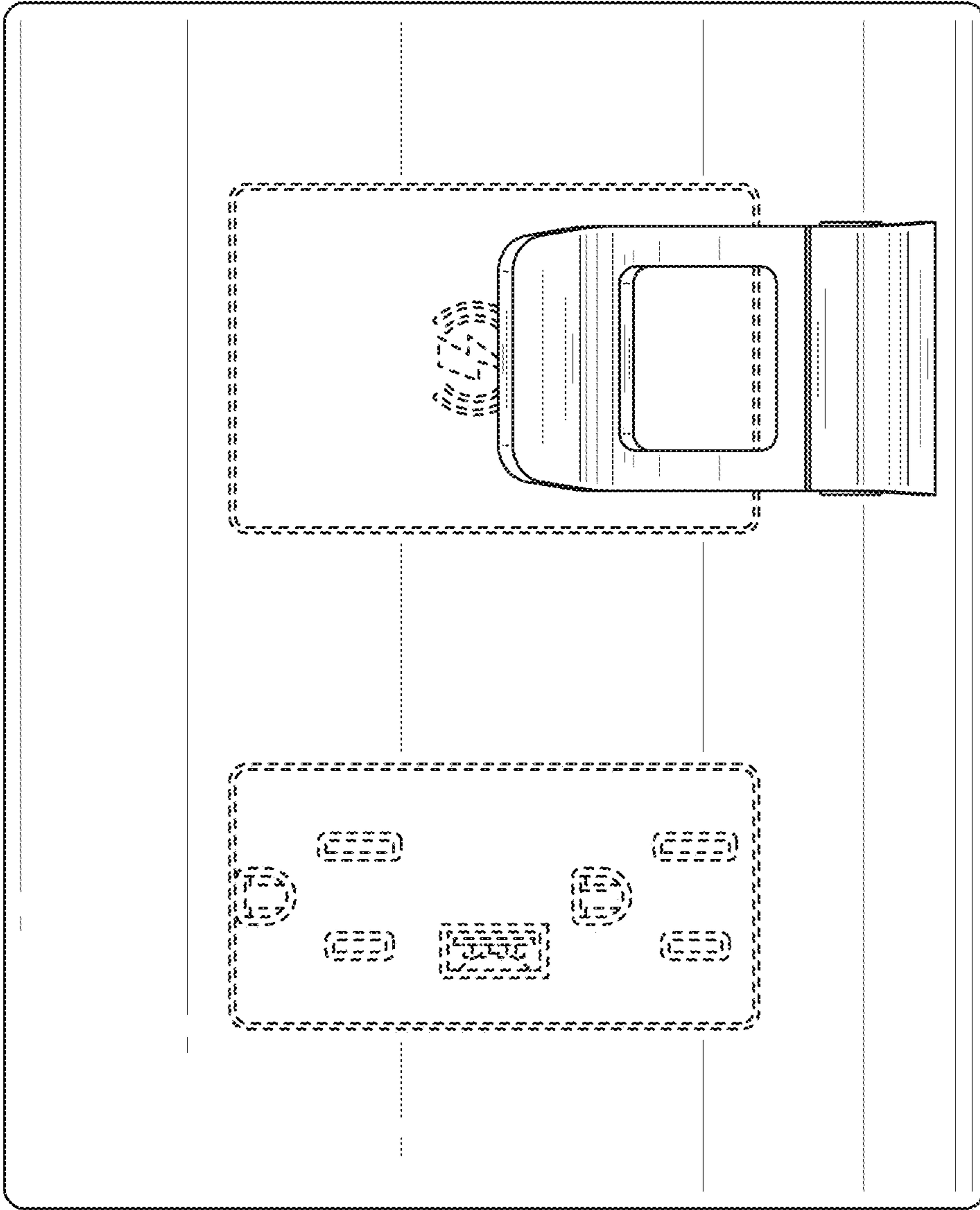


FIG. 2

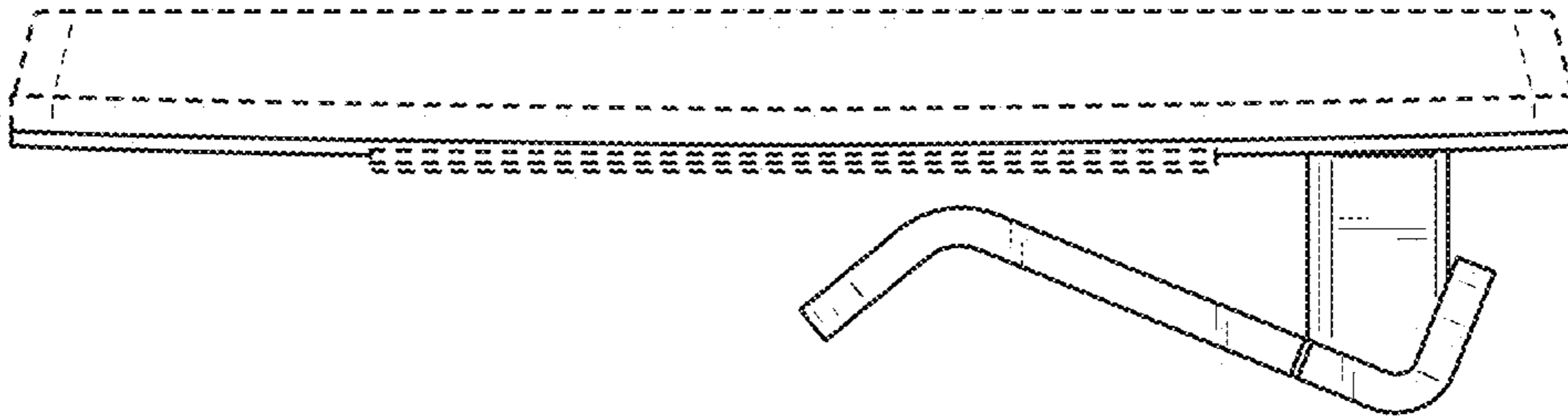


FIG. 4

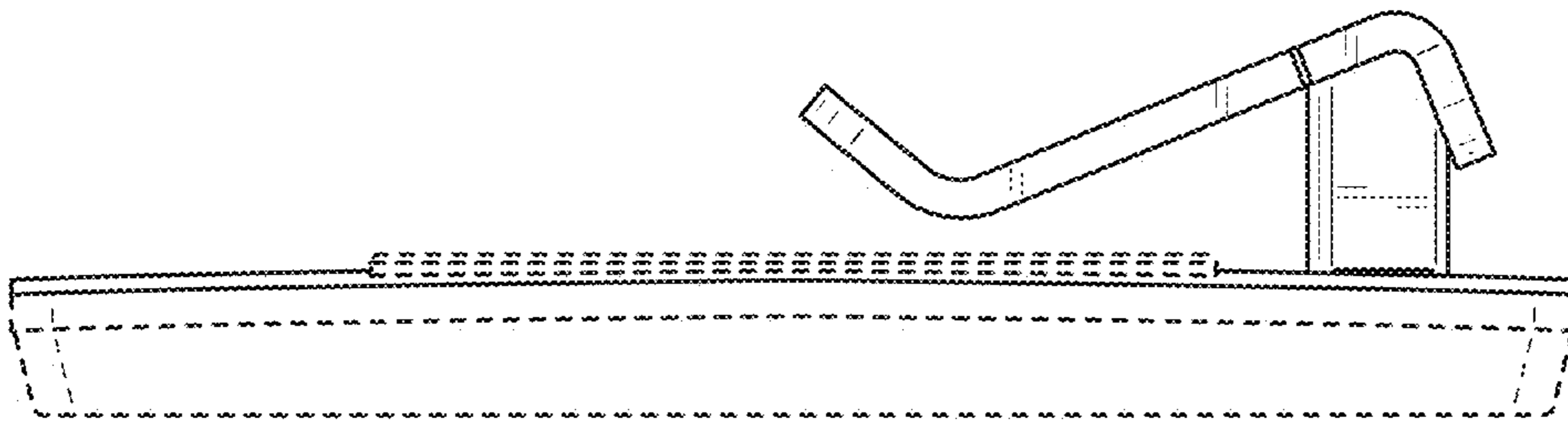


FIG. 3

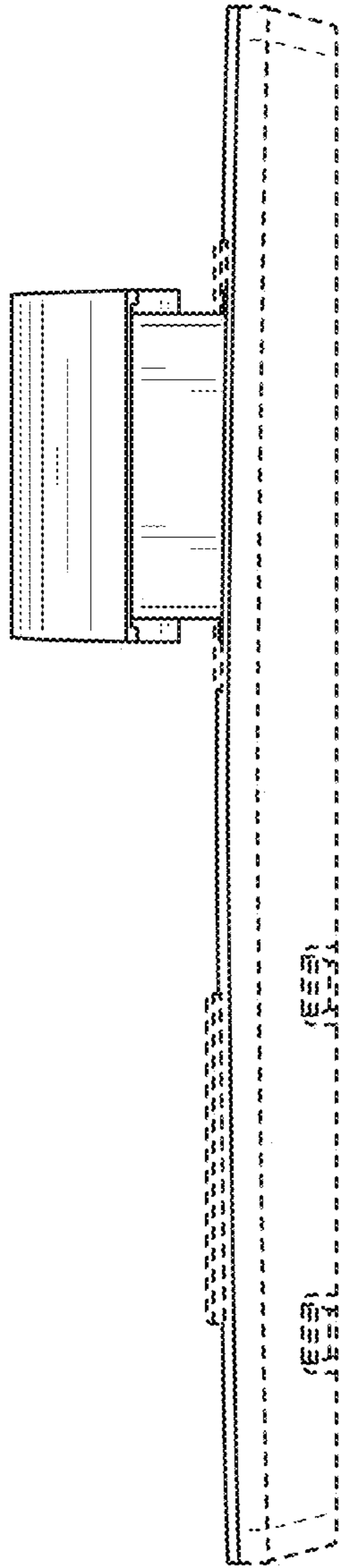


FIG. 5

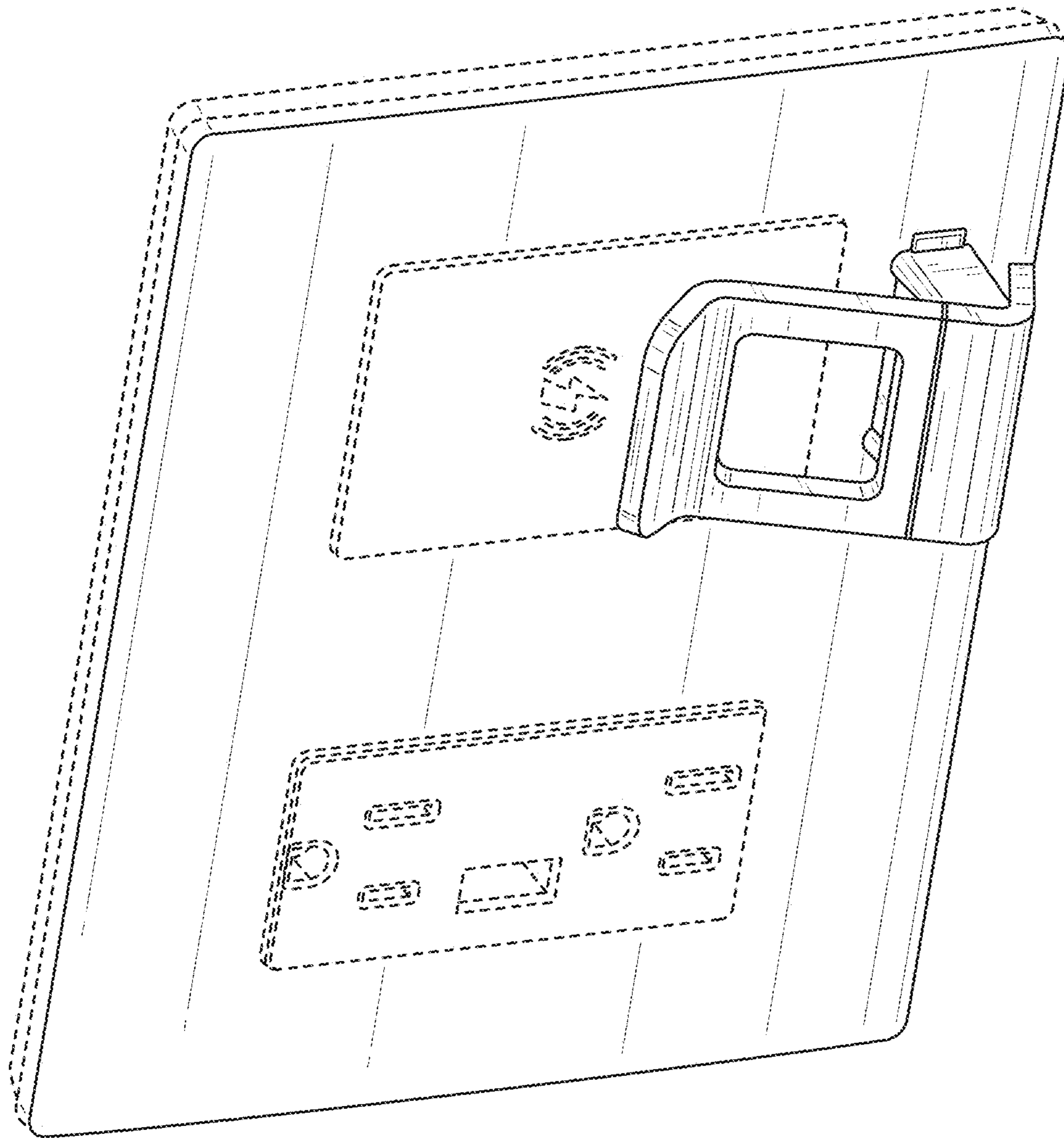


FIG. 6