



US00D928083S

(12) **United States Design Patent** (10) **Patent No.:** **US D928,083 S**
Kong et al. (45) **Date of Patent:** **** Aug. 17, 2021**

(54) **COMBINED DISPLAY AND CHARGING PAD**

(71) Applicant: **Intel Corporation**, Santa Clara, CA (US)

(72) Inventors: **Duck Young Kong**, Beaverton, OR (US); **Randall W. Martin**, Hillsboro, OR (US)

(73) Assignee: **Intel Corporation**, Santa Clara, CA (US)

(**) Term: **15 Years**

(21) Appl. No.: **29/670,031**

(22) Filed: **Nov. 13, 2018**

Related U.S. Application Data

(62) Division of application No. 29/589,159, filed on Dec. 28, 2016, now Pat. No. Des. 837,146.

(51) **LOC (13) Cl.** **13-02**

(52) **U.S. Cl.**
USPC **D13/108**

(58) **Field of Classification Search**
USPC D13/107–110, 118–119, 184; D14/251, D14/253, 432, 434

CPC Y02E 60/12; Y02T 90/14; Y02T 90/122; Y02T 90/128; Y02T 90/163; H02J 7/025; H02J 7/0042; H02J 7/0044; H02J 7/0045; H02J 7/0013; H02J 7/0003; H01F 38/14; H01R 13/6675; H01M 2/1022; H01M 2/1055; H01M 10/44; H01M 10/46; H01M 10/425; B60L 11/182

See application file for complete search history.

(56) **References Cited**

U.S. PATENT DOCUMENTS

D568,238 S * 5/2008 Sharma D13/102
D599,736 S * 9/2009 Ferber D13/108

D617,265 S * 6/2010 Sasada D13/102
D636,724 S * 4/2011 Nomi D13/108
D690,647 S * 10/2013 Huang D13/108
D708,229 S * 7/2014 Onoue D14/498
D708,570 S * 7/2014 Martin D13/102
D732,037 S * 6/2015 Wylie D14/434
D739,398 S * 9/2015 Adamson D14/318
D741,318 S * 10/2015 Oakley D14/318
D767,484 S * 9/2016 Morad D13/102
D795,800 S * 8/2017 Derkacs D13/102
D812,553 S * 3/2018 Anderson D13/102

(Continued)

OTHER PUBLICATIONS

“U.S. Appl. No. 29/589,159, Notice of Allowance dated Aug. 14, 2018”, 7 pgs.

(Continued)

Primary Examiner — Nathaniel D. Buckner

(74) *Attorney, Agent, or Firm* — Schwegman Lundberg & Woessner, P.A.

(57) **CLAIM**

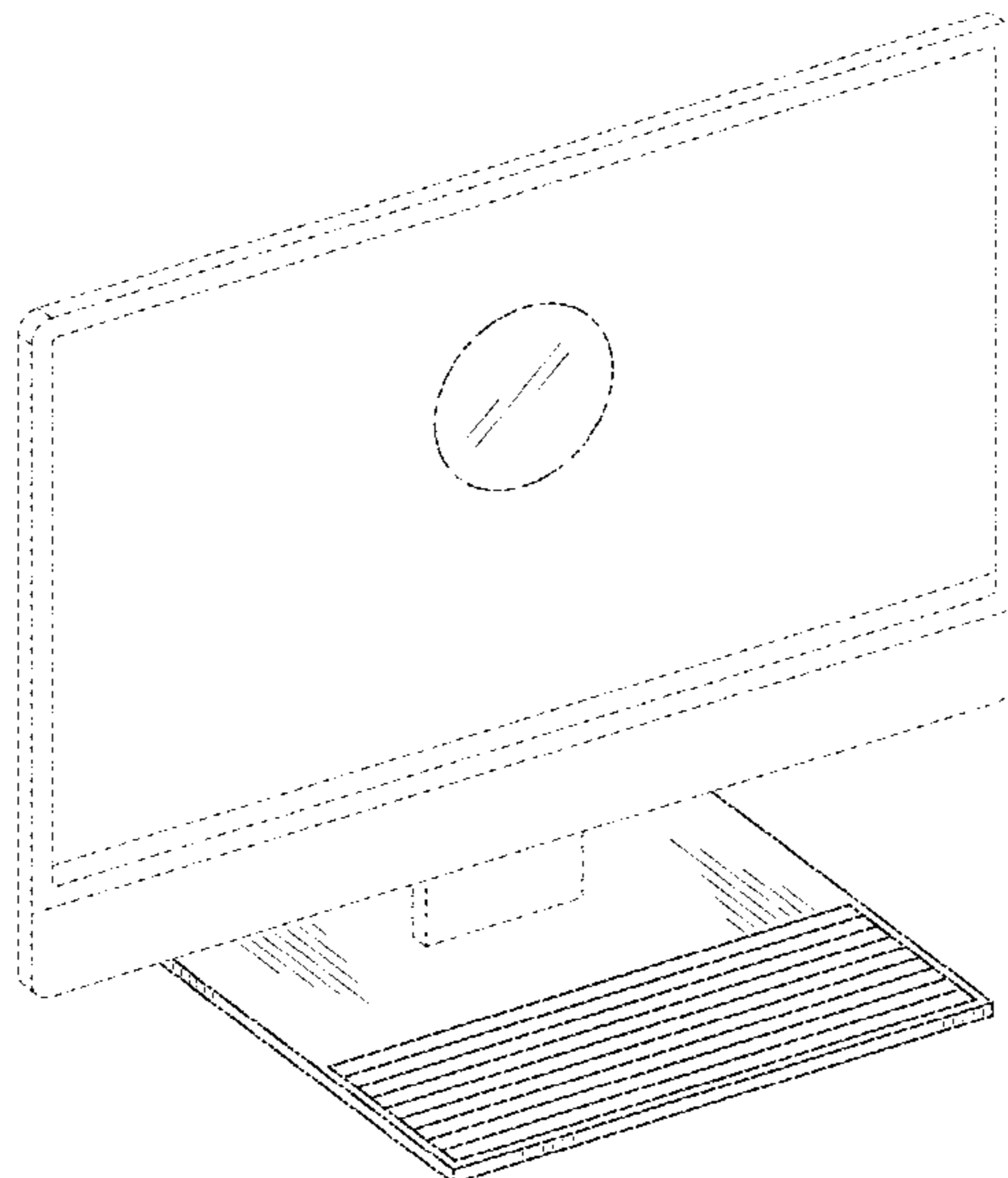
The ornamental design for a combined display and charging pad, as shown and described.

DESCRIPTION

FIG. 1 is a top-front-left perspective view of a combined display and charging pad, showing our new design; FIG. 2 is a front view thereof; FIG. 3 is a back view thereof; FIG. 4 is a right-side view thereof; FIG. 5 is a left-side view thereof; FIG. 6 is a top view thereof; and, FIG. 7 is a bottom view thereof.

The broken lines in the figures depict portions of the combined display and charging pad that form no part of the claimed design. The dot-dash broken lines define the bounds of the claim and form no part thereof.

1 Claim, 4 Drawing Sheets



(56)

References Cited

U.S. PATENT DOCUMENTS

D860,208 S * 9/2019 Okuley D14/434
10,439,422 B2 * 10/2019 Singer H02J 7/0042
D871,331 S * 12/2019 Langhammer D13/108
D887,968 S * 6/2020 Ebisawa D13/103
D900,813 S * 11/2020 Akana D14/371
2010/0022285 A1 * 1/2010 Randall H01R 13/2421
455/573
2015/0349850 A1 * 12/2015 Leabman H02J 50/40
320/108
2018/0323636 A1 * 11/2018 Makwinski H02J 7/0027

OTHER PUBLICATIONS

“U.S. Appl. No. 29/589,159, Response filed Jul. 2, 2018 to Restriction Requirement dated Apr. 4, 2018”, 5 pgs.

“U.S. Appl. No. 29/589,159, Restriction Requirement dated Apr. 4, 2018”, 6 pgs.

* cited by examiner

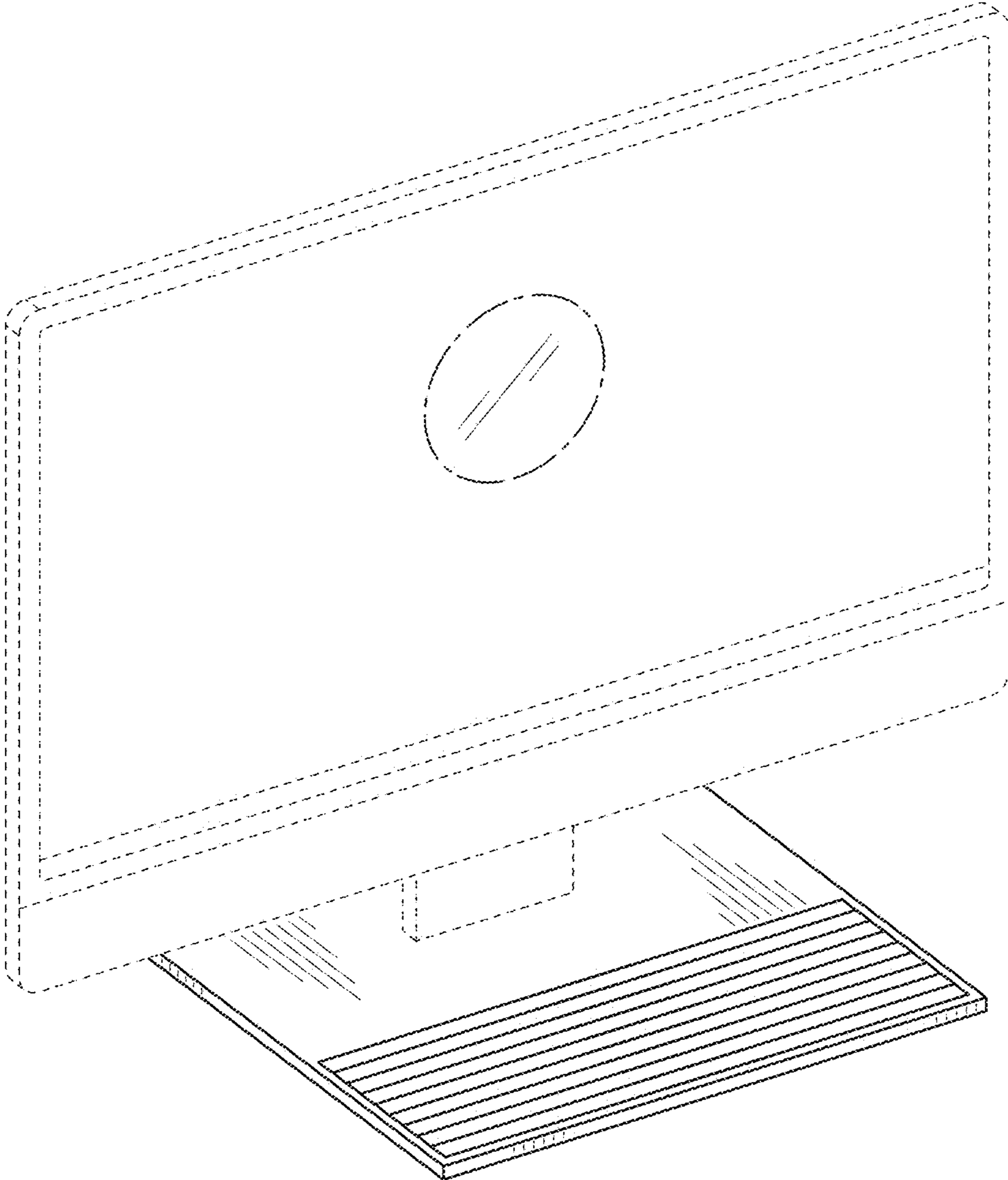


FIG. 1

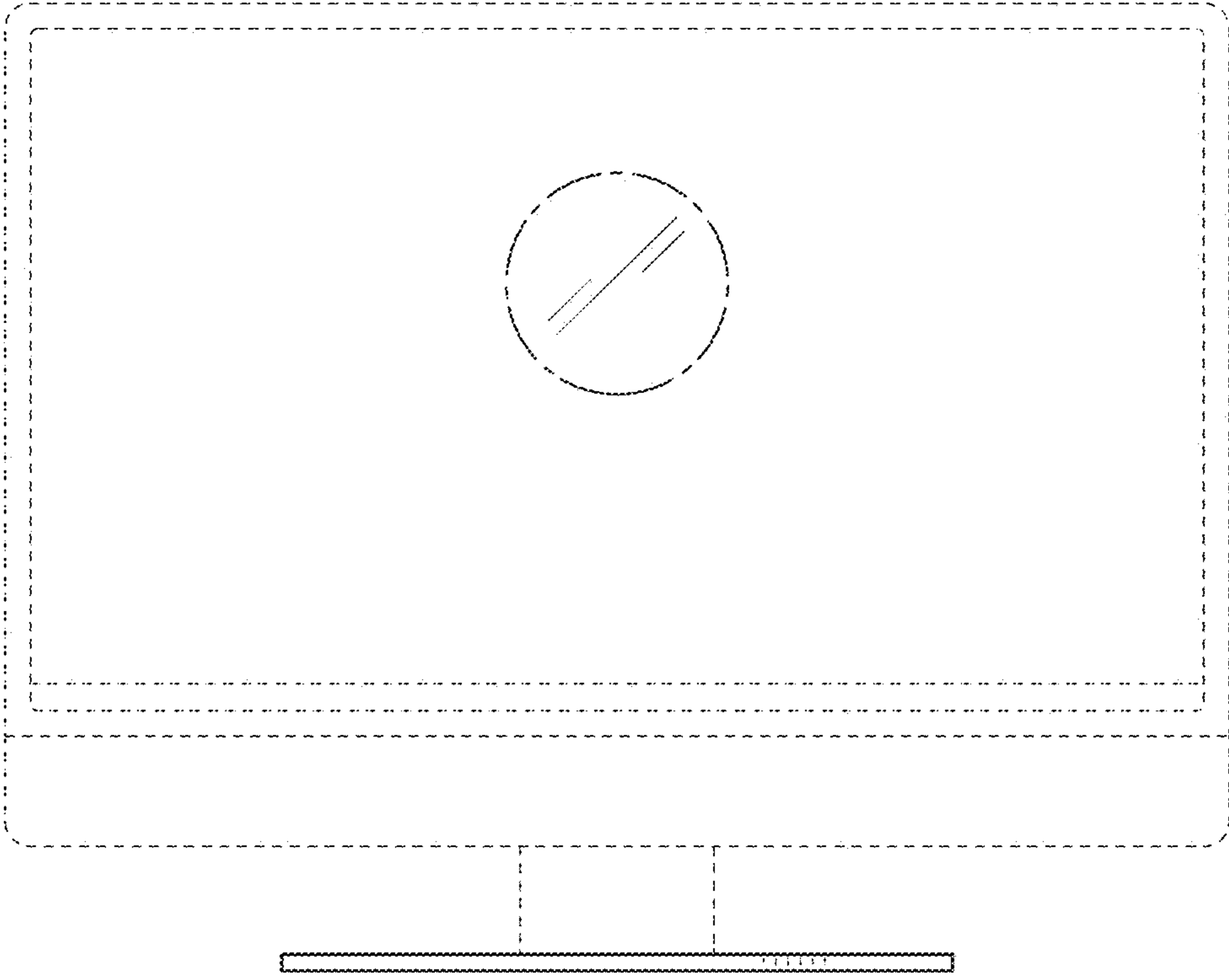


FIG. 2

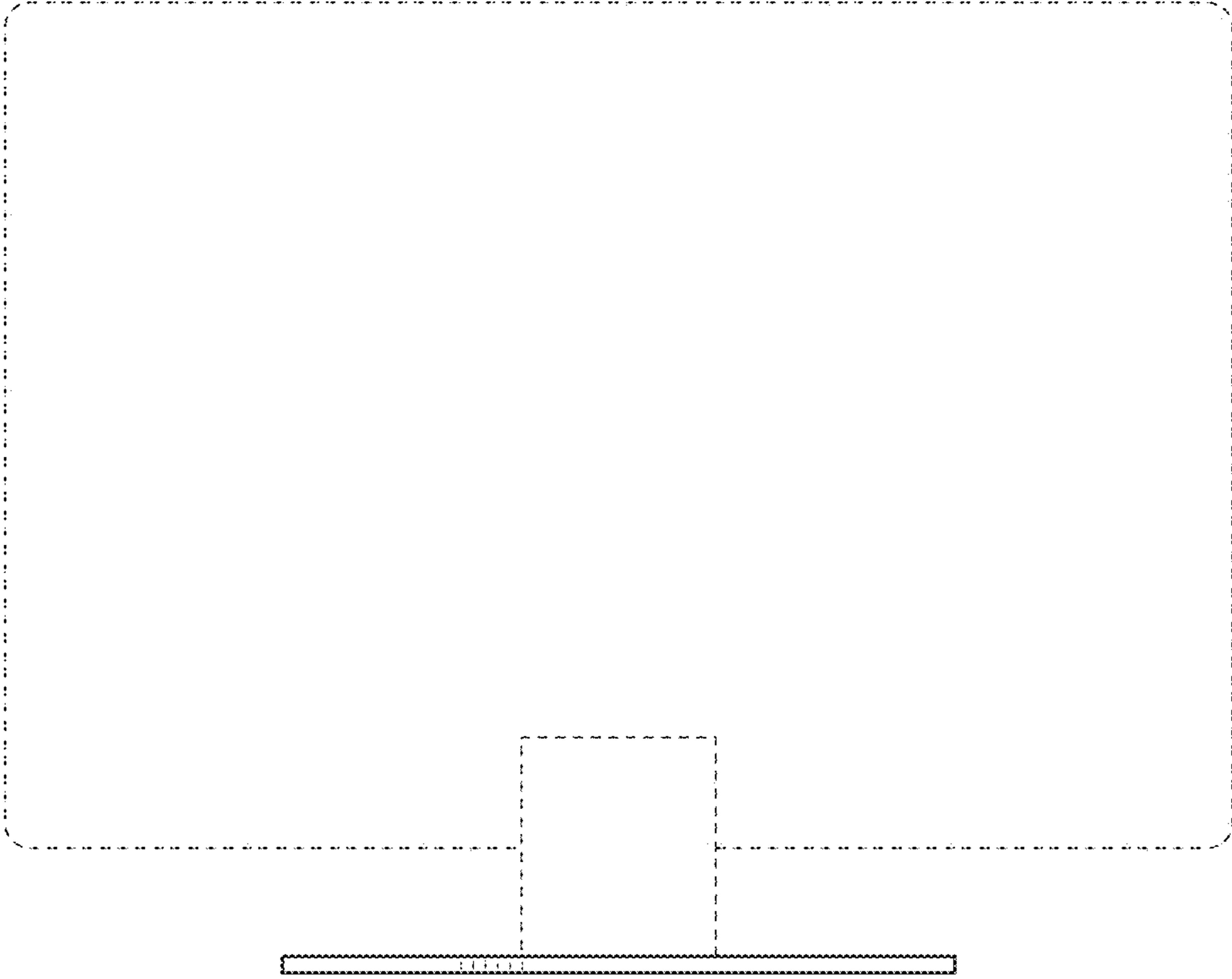


FIG. 3

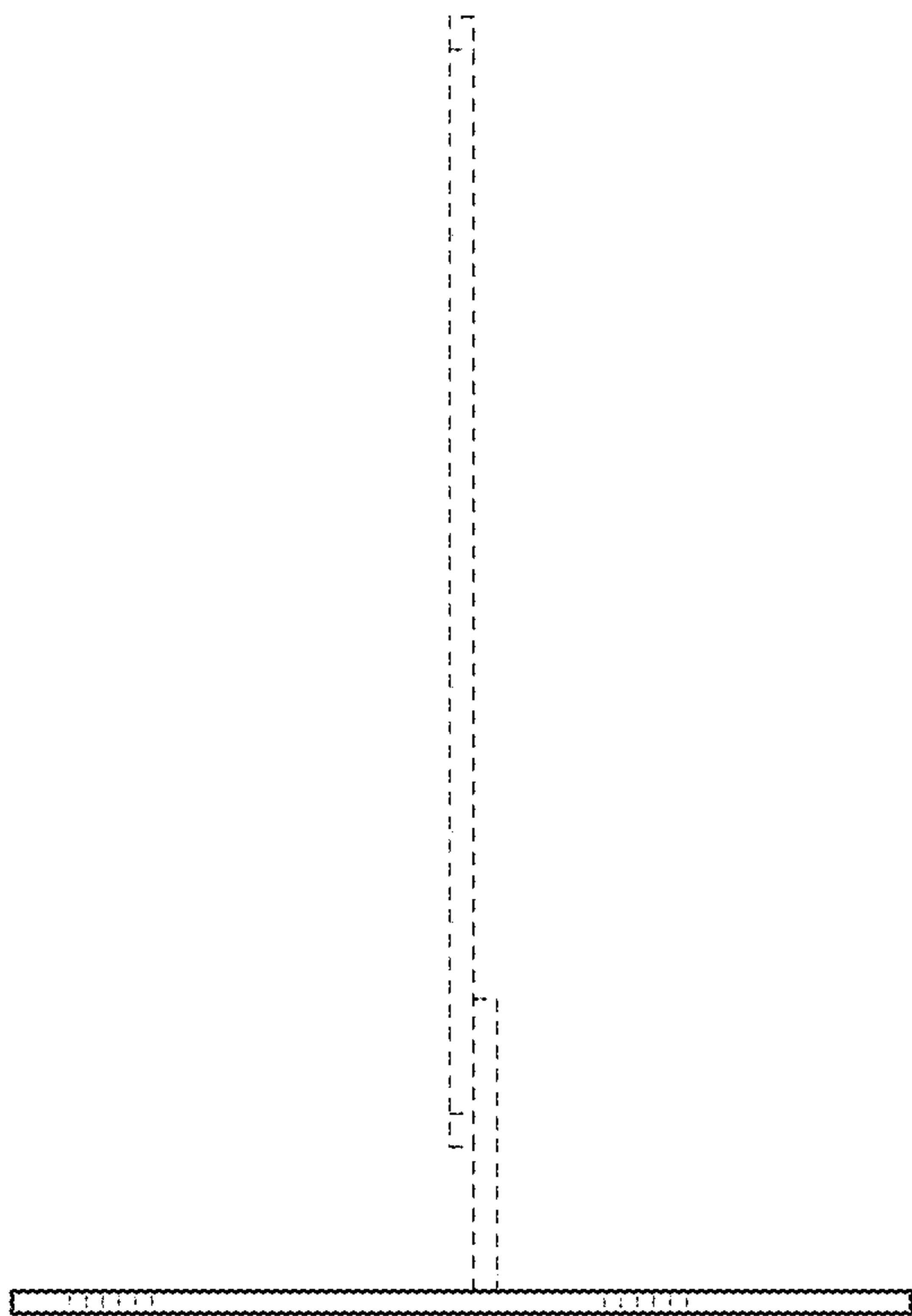


FIG. 4

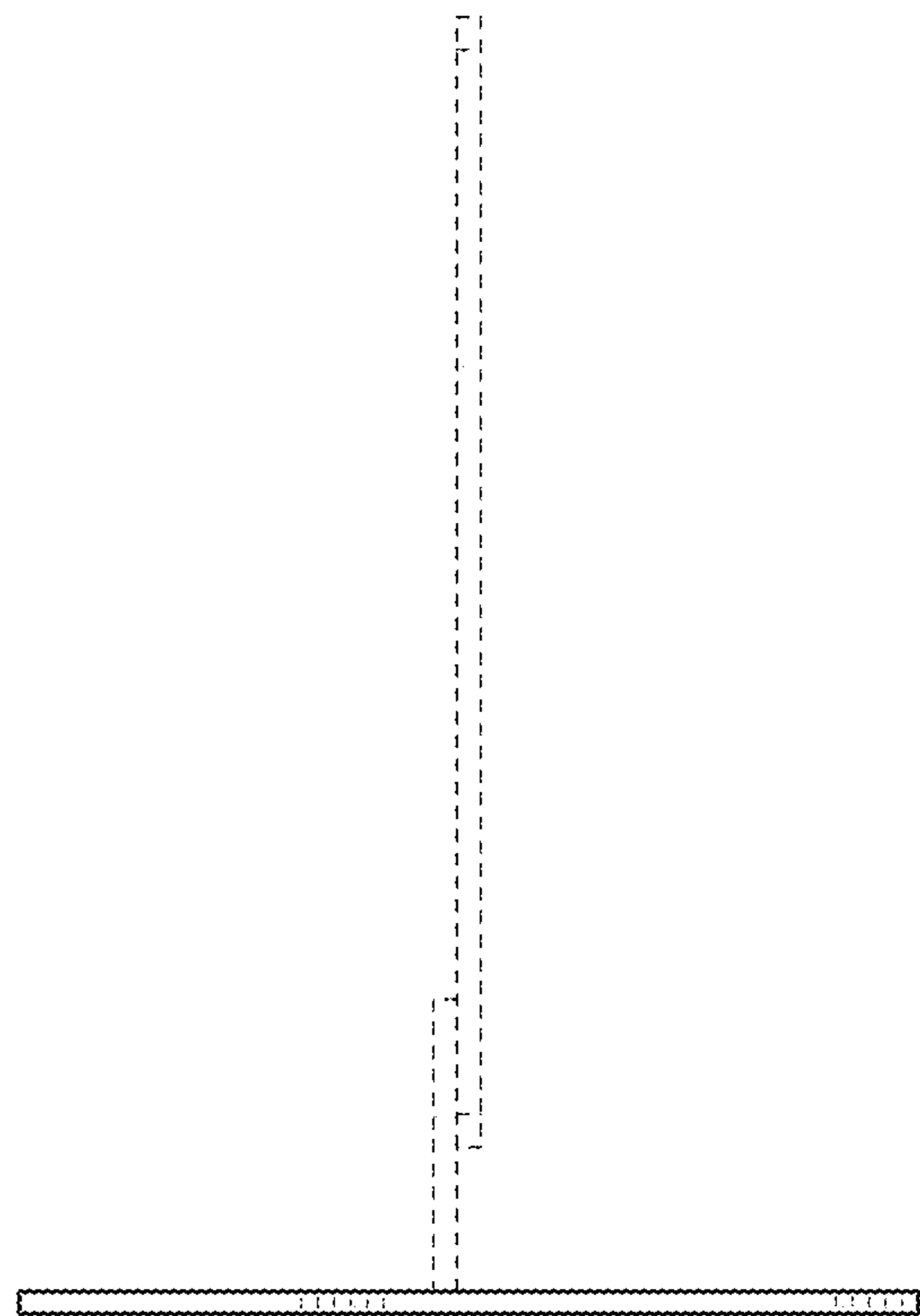


FIG. 5

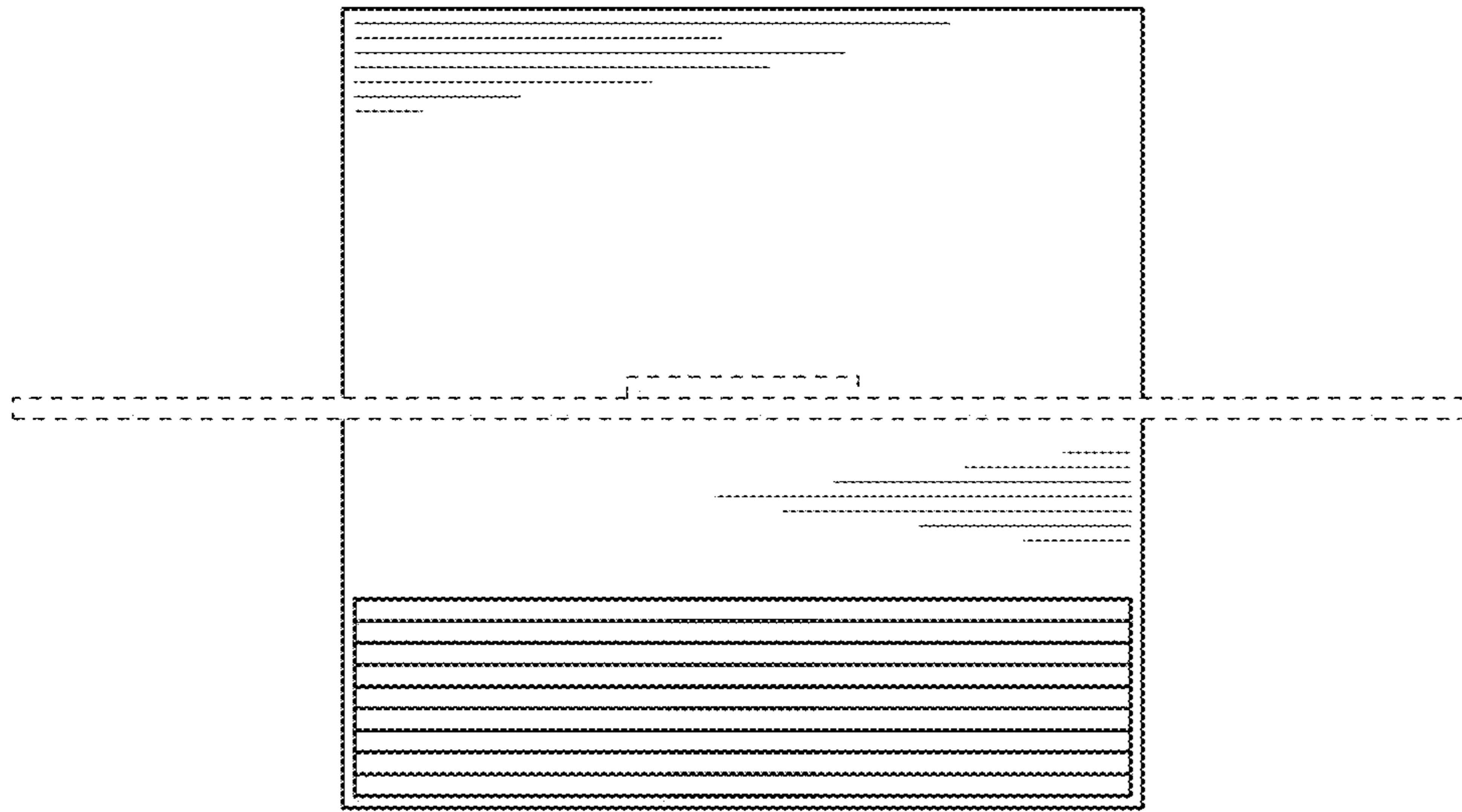


FIG. 6

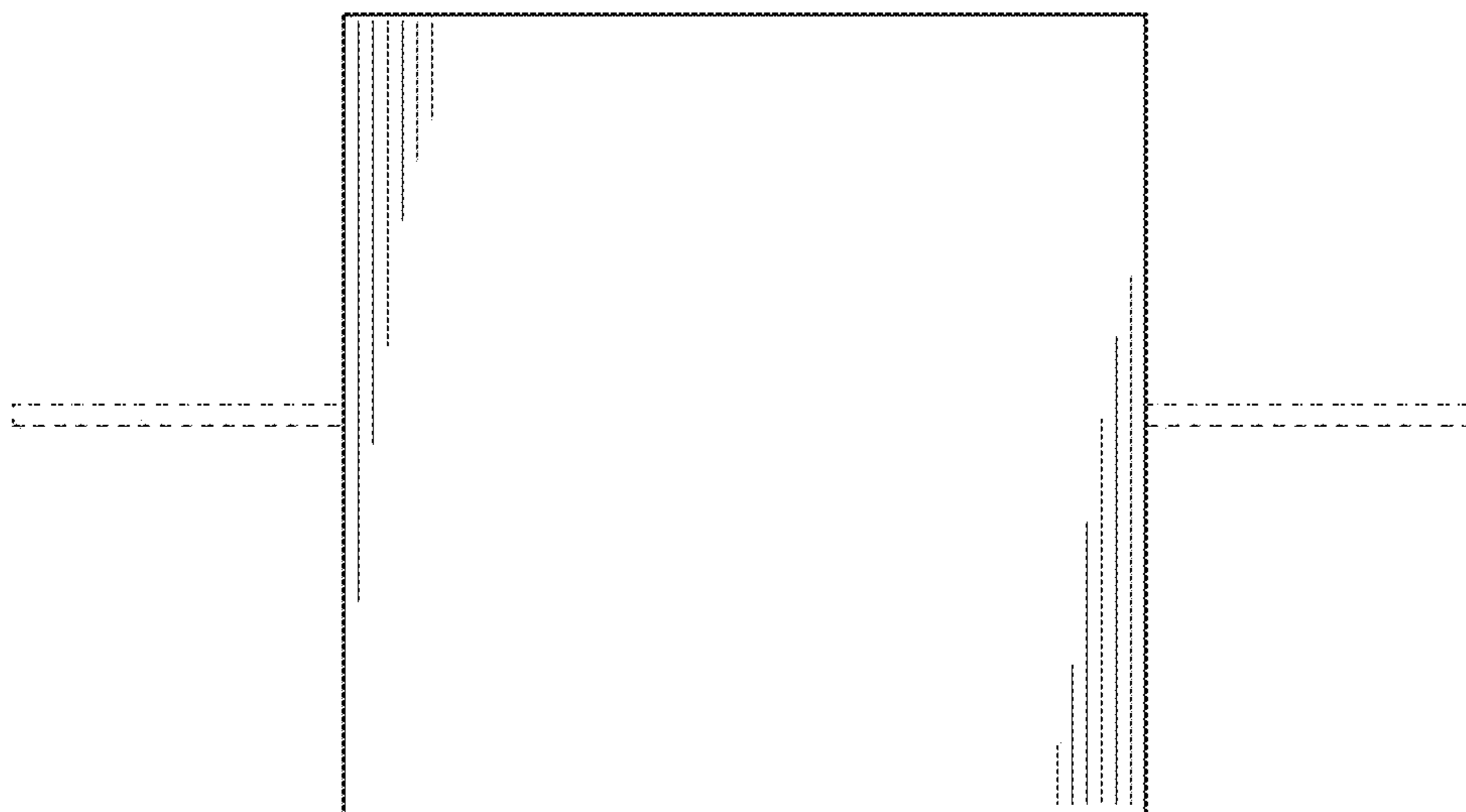


FIG. 7