



US00D928082S

(12) **United States Design Patent**
Houghton

(10) **Patent No.:** **US D928,082 S**

(45) **Date of Patent:** **** Aug. 17, 2021**

(54) **BATTERY CHARGER**

(71) Applicant: **BLACK & DECKER INC.**, New Britain, CT (US)

(72) Inventor: **Stephen Houghton**, Newcastle-upon-Tyne (GB)

(73) Assignee: **Black & Decker Inc.**, New Britain, CT (US)

(**) Term: **15 Years**

(21) Appl. No.: **29/695,727**

(22) Filed: **Jun. 21, 2019**

| | | | | | | |
|--------------|----|---|---------|----------|-------|----------------------|
| D307,016 | S | * | 4/1990 | Watanabe | | D13/108 |
| D335,861 | S | * | 5/1993 | Tattari | | D13/108 |
| D442,141 | S | * | 5/2001 | Ikenaga | | D13/107 |
| D474,737 | S | * | 5/2003 | Yoshida | | D13/108 |
| D488,440 | S | * | 4/2004 | Senda | | D13/108 |
| D489,323 | S | * | 5/2004 | Yoshida | | D13/108 |
| D489,325 | S | * | 5/2004 | Nakamura | | D13/110 |
| D507,526 | S | * | 7/2005 | Ohta | | D13/108 |
| D523,847 | S | * | 6/2006 | Naruki | | D13/108 |
| D535,615 | S | * | 1/2007 | Iwai | | D13/108 |
| D557,693 | S | * | 12/2007 | Kim | | D13/108 |
| D642,519 | S | * | 8/2011 | Woo | | D13/108 |
| D797,669 | S | * | 9/2017 | Chang | | D13/108 |
| D817,874 | S | * | 5/2018 | Tsai | | D13/108 |
| D819,563 | S | * | 6/2018 | Wei | | D13/108 |
| D835,079 | S | * | 12/2018 | Yun | | D14/224 |
| D835,611 | S | * | 12/2018 | Yun | | D14/224 |
| D845,896 | S | * | 4/2019 | Hu | | D13/108 |
| 2014/0191707 | A1 | * | 7/2014 | Carreon | | H04M 1/04 320/107 |
| 2019/0334358 | A1 | * | 10/2019 | Fountain | | H02J 7/0044 |

Related U.S. Application Data

(62) Division of application No. 29/551,917, filed on Jan. 19, 2016, now Pat. No. Des. 856,273.

Foreign Application Priority Data

Jul. 27, 2015 (CN) 201530272828.8
Jul. 27, 2015 (CN) 201530272829.2

(51) **LOC (13) Cl.** **13-02**

(52) **U.S. Cl.**
USPC **D13/107**

(58) **Field of Classification Search**
USPC D13/103, 107-110, 118-119, 184, 199;
D14/251, 253, 432, 434
CPC H02J 7/0026; H02J 7/0042; H02J 7/0044;
H02J 7/0045; H02J 7/0013; H02J 7/0003
See application file for complete search history.

References Cited

U.S. PATENT DOCUMENTS

D275,482 S * 9/1984 Coons D13/108
D277,662 S * 2/1985 Huntington D13/107

* cited by examiner

Primary Examiner — Rosemary K Tarcza

(74) *Attorney, Agent, or Firm* — Michael Aronoff

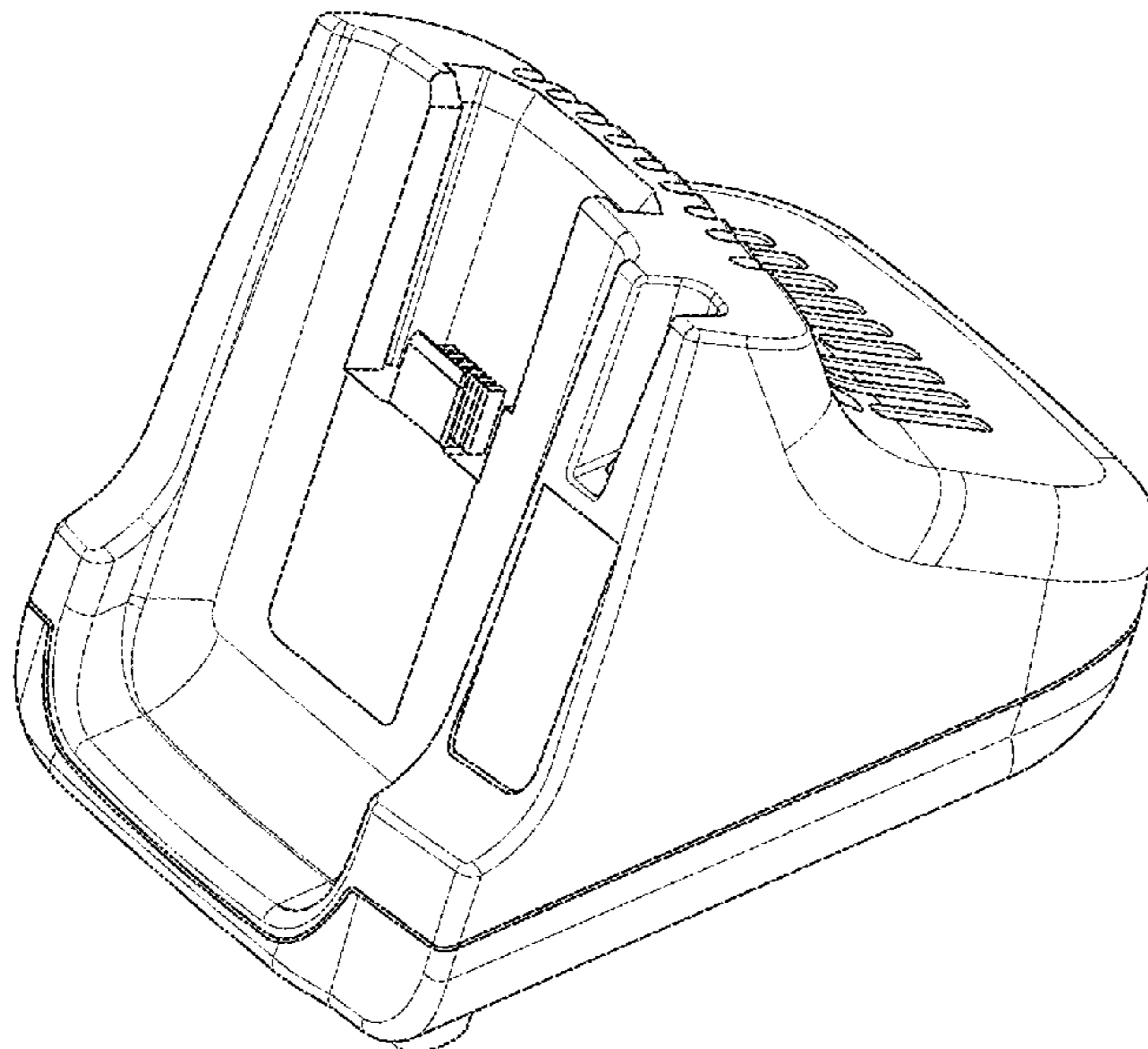
(57) **CLAIM**

The ornamental design for a battery charger, as shown and described.

DESCRIPTION

FIG. 1 is a perspective view of a battery charger showing my new design;
FIG. 2 is a top plan view thereof;
FIG. 3 is a bottom plan view thereof;
FIG. 4 is a right side view thereof;
FIG. 5 is a left side view thereof;
FIG. 6 is a front view thereof; and,
FIG. 7 is a rear view thereof.
The broken lines in the figures depict portions of the battery charger which form no part of the claimed design.

1 Claim, 7 Drawing Sheets



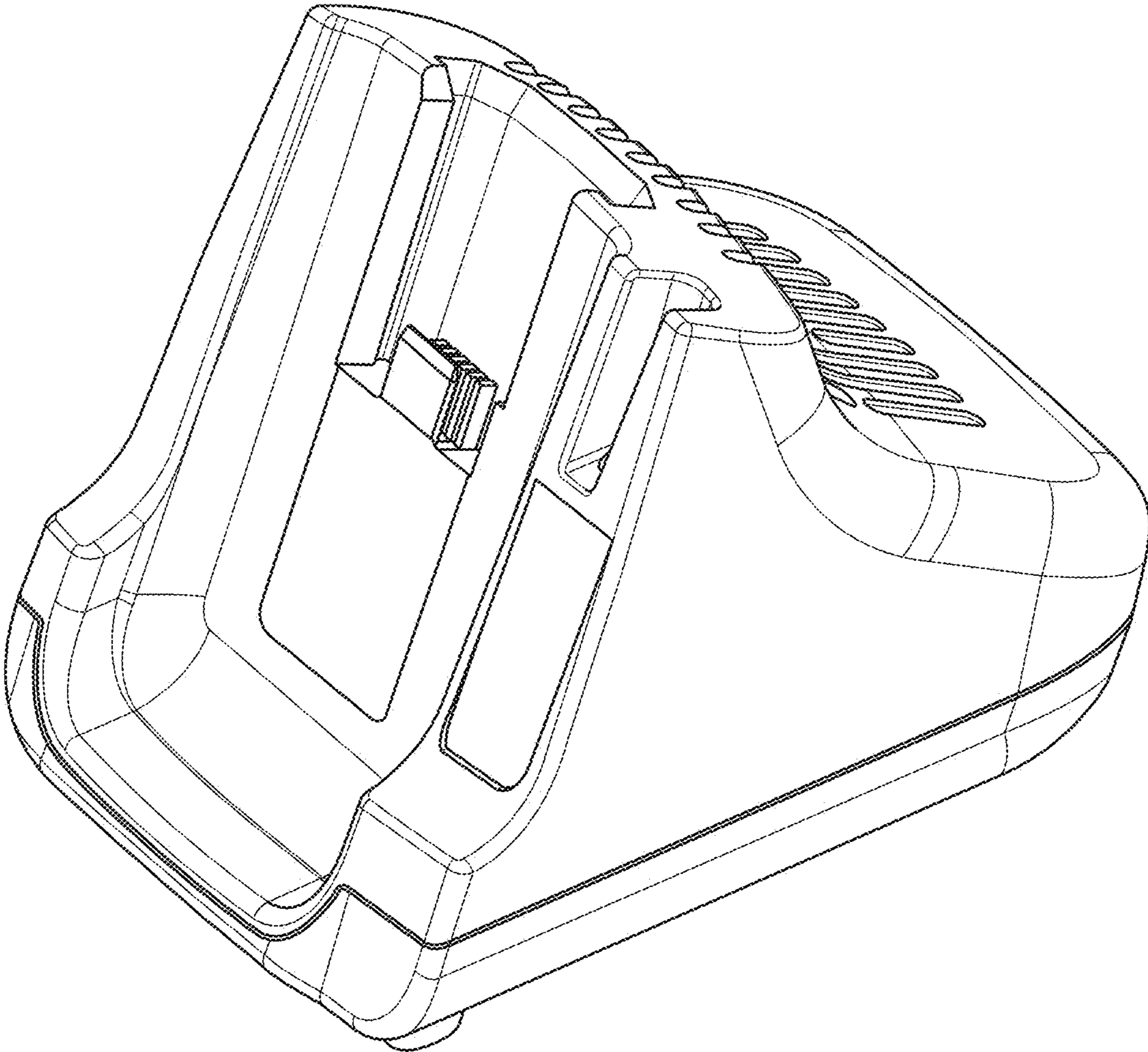


FIG. 1

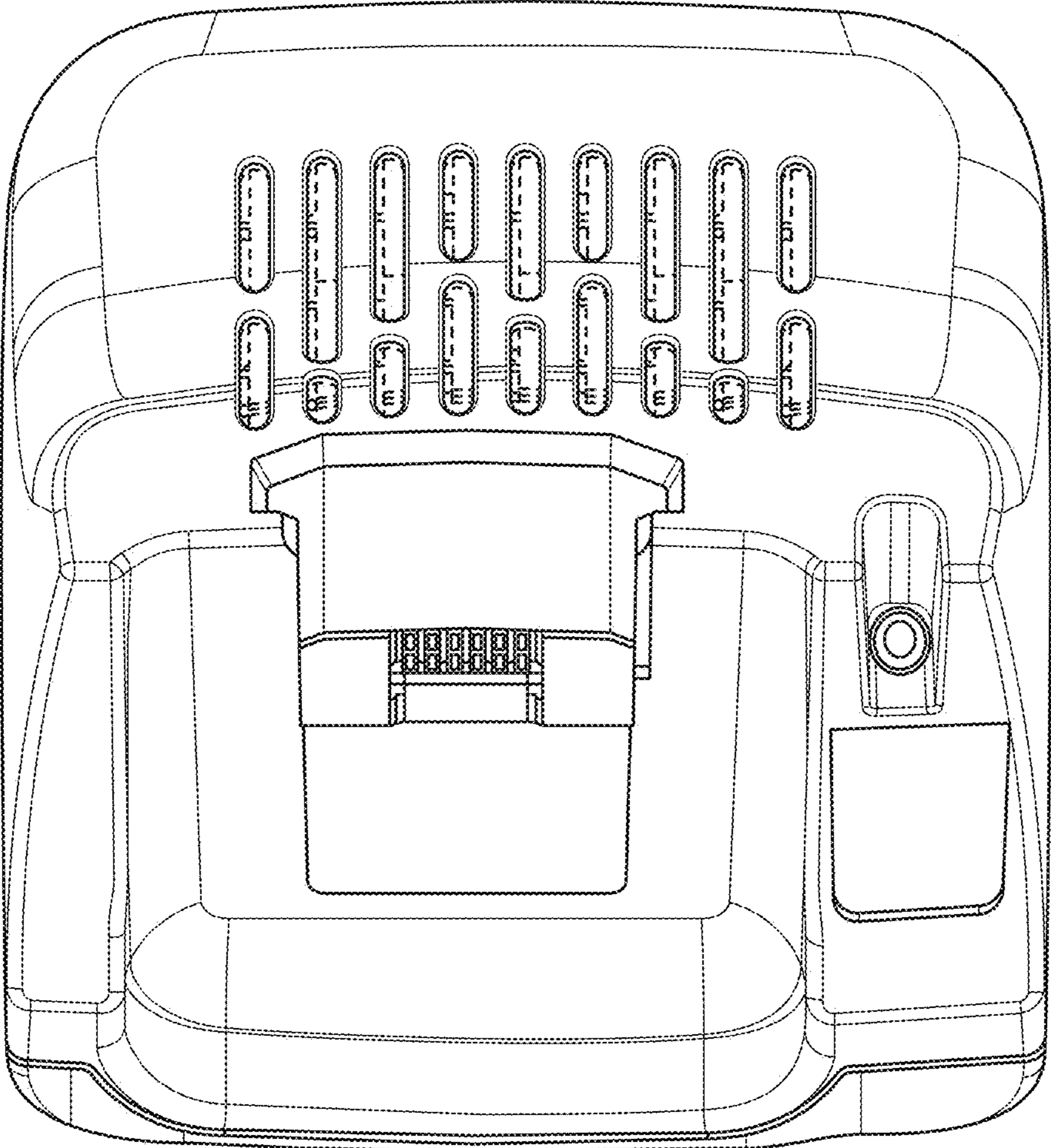


FIG. 2

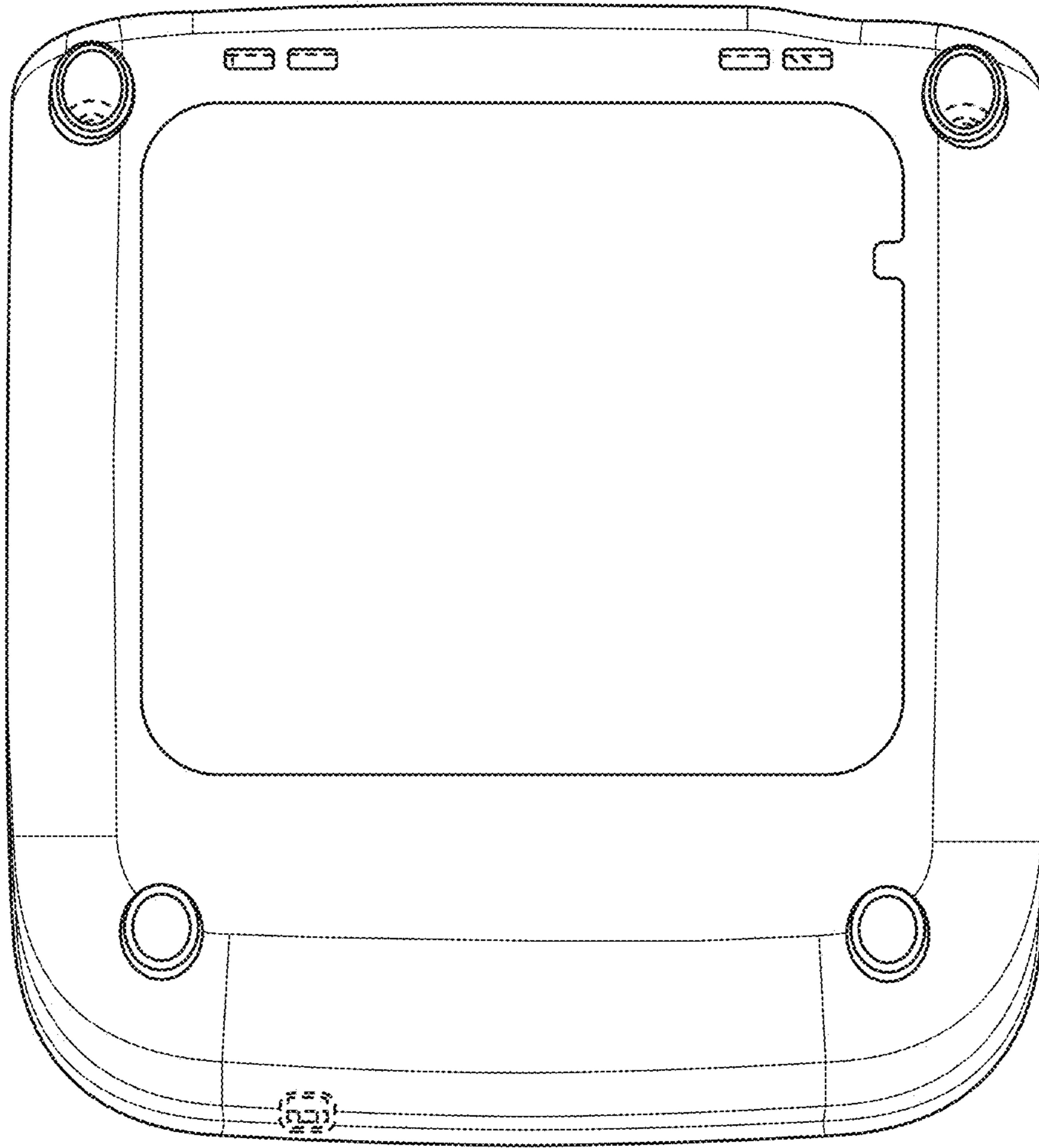


FIG. 3

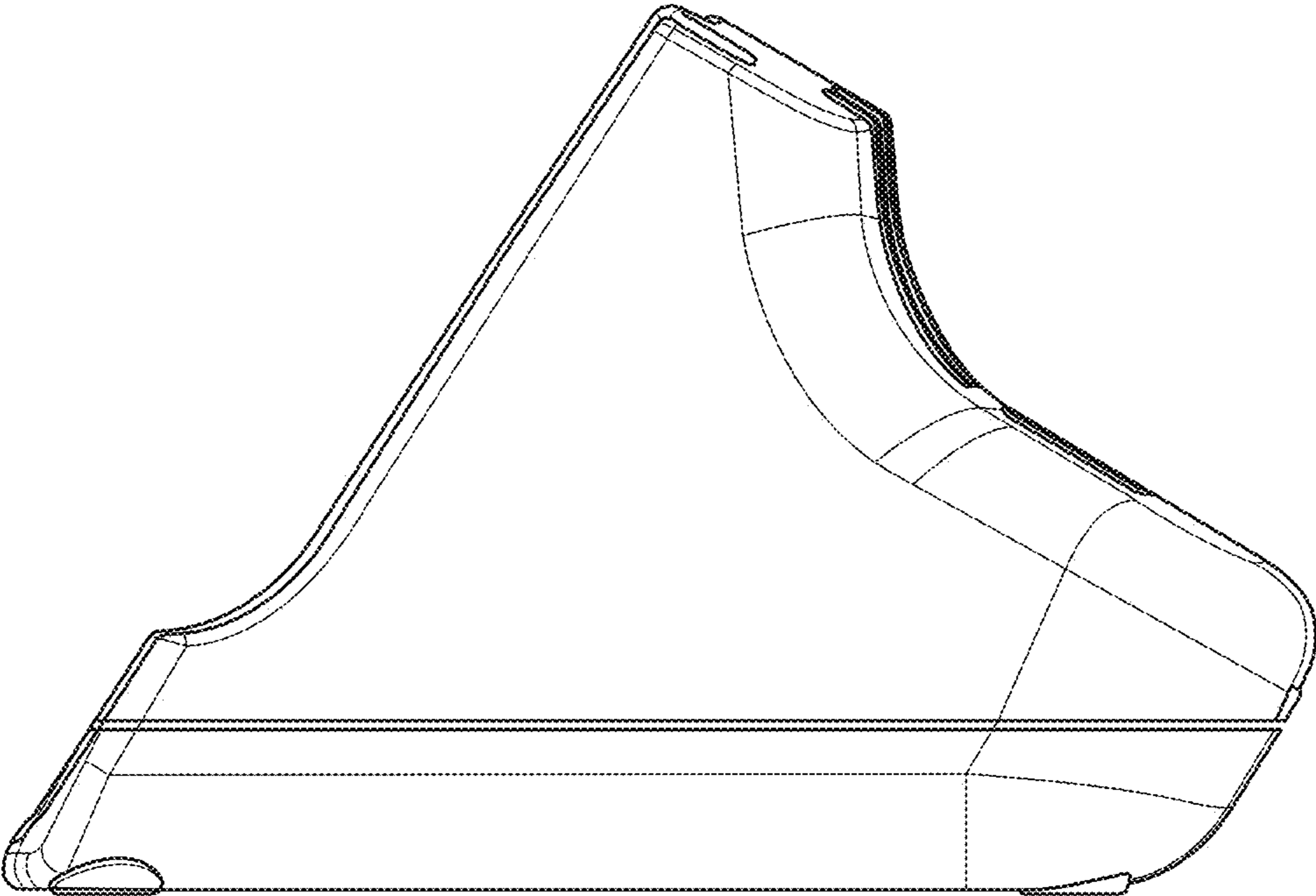


FIG. 4

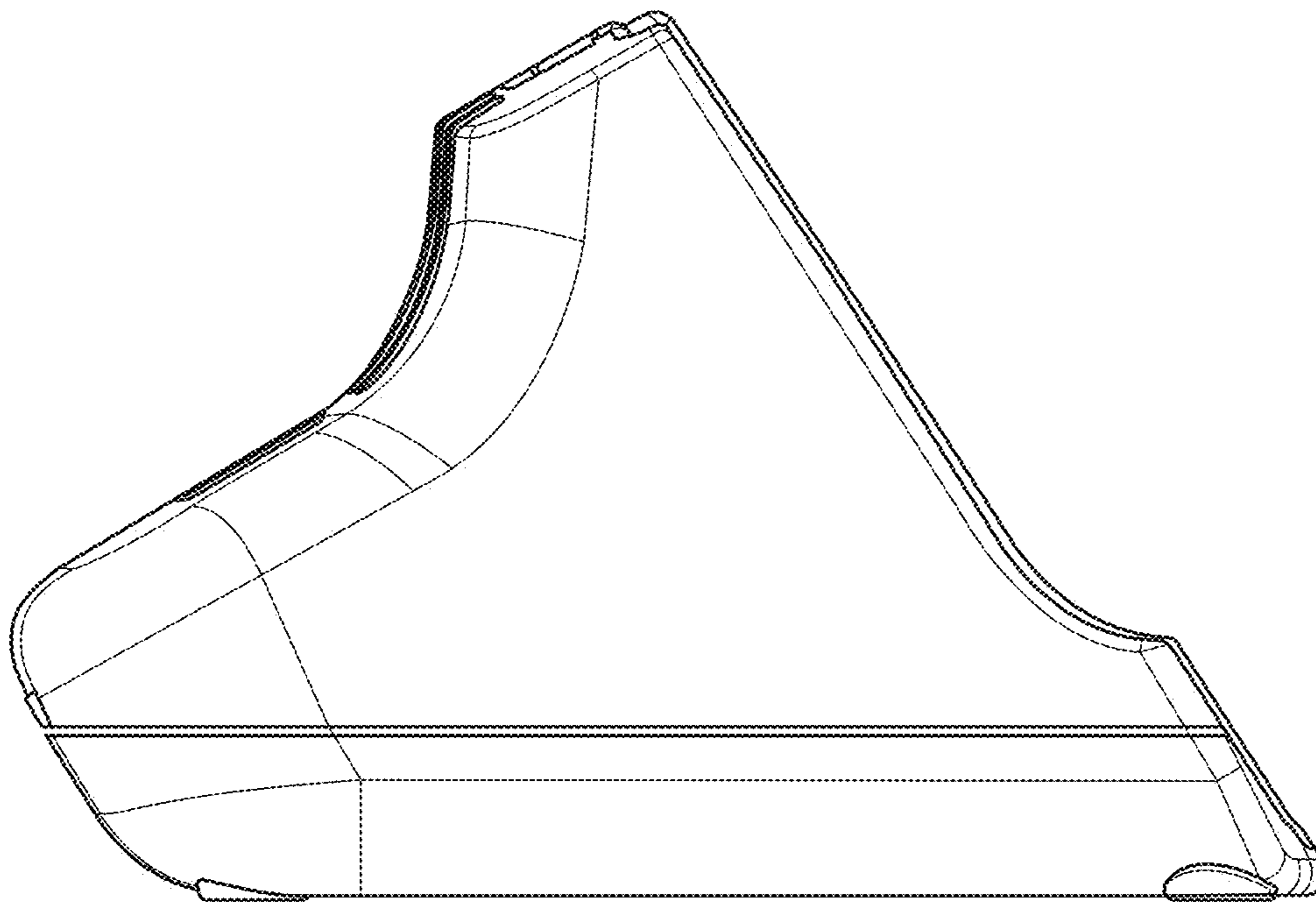


FIG. 5

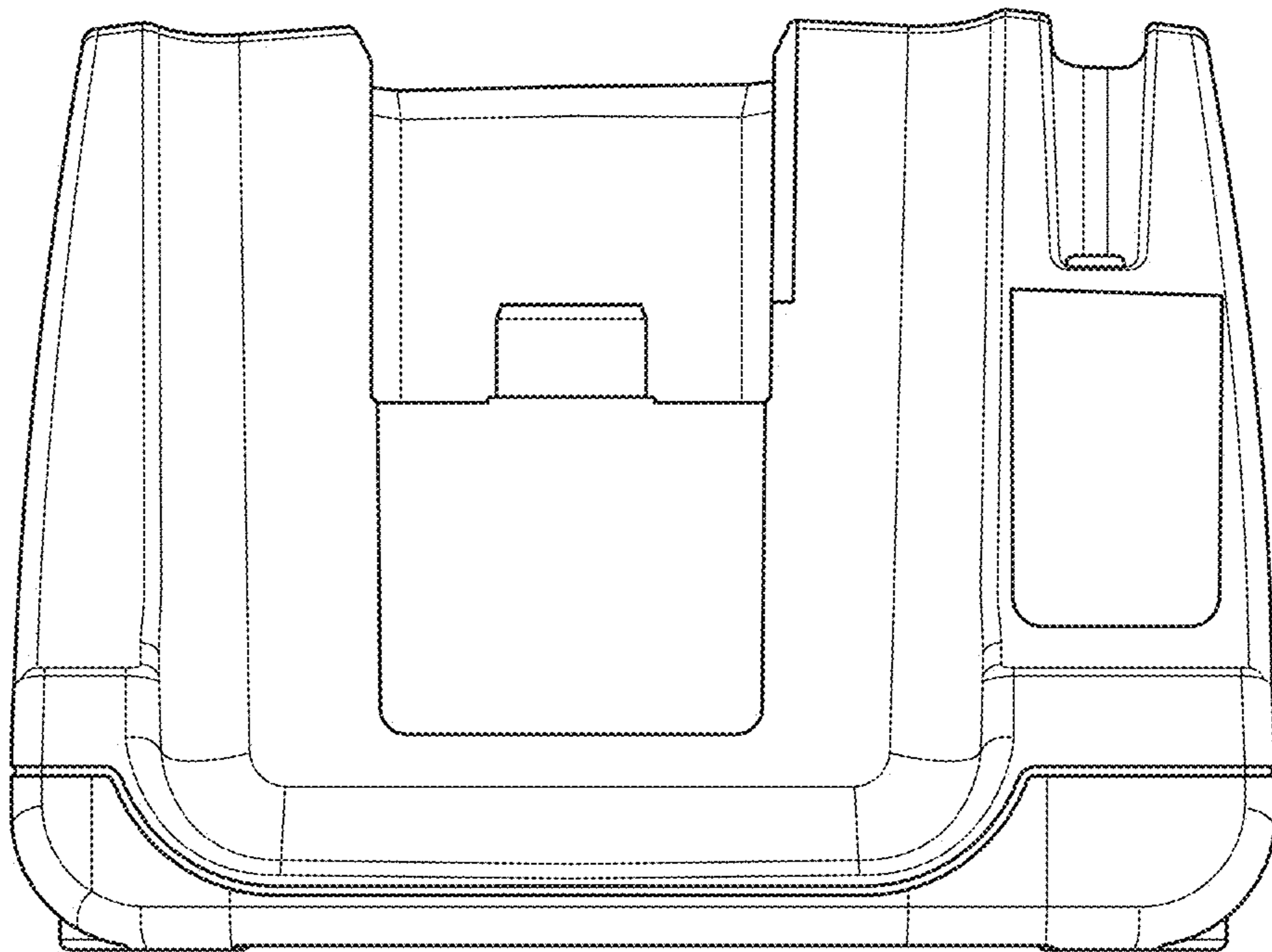


FIG. 6

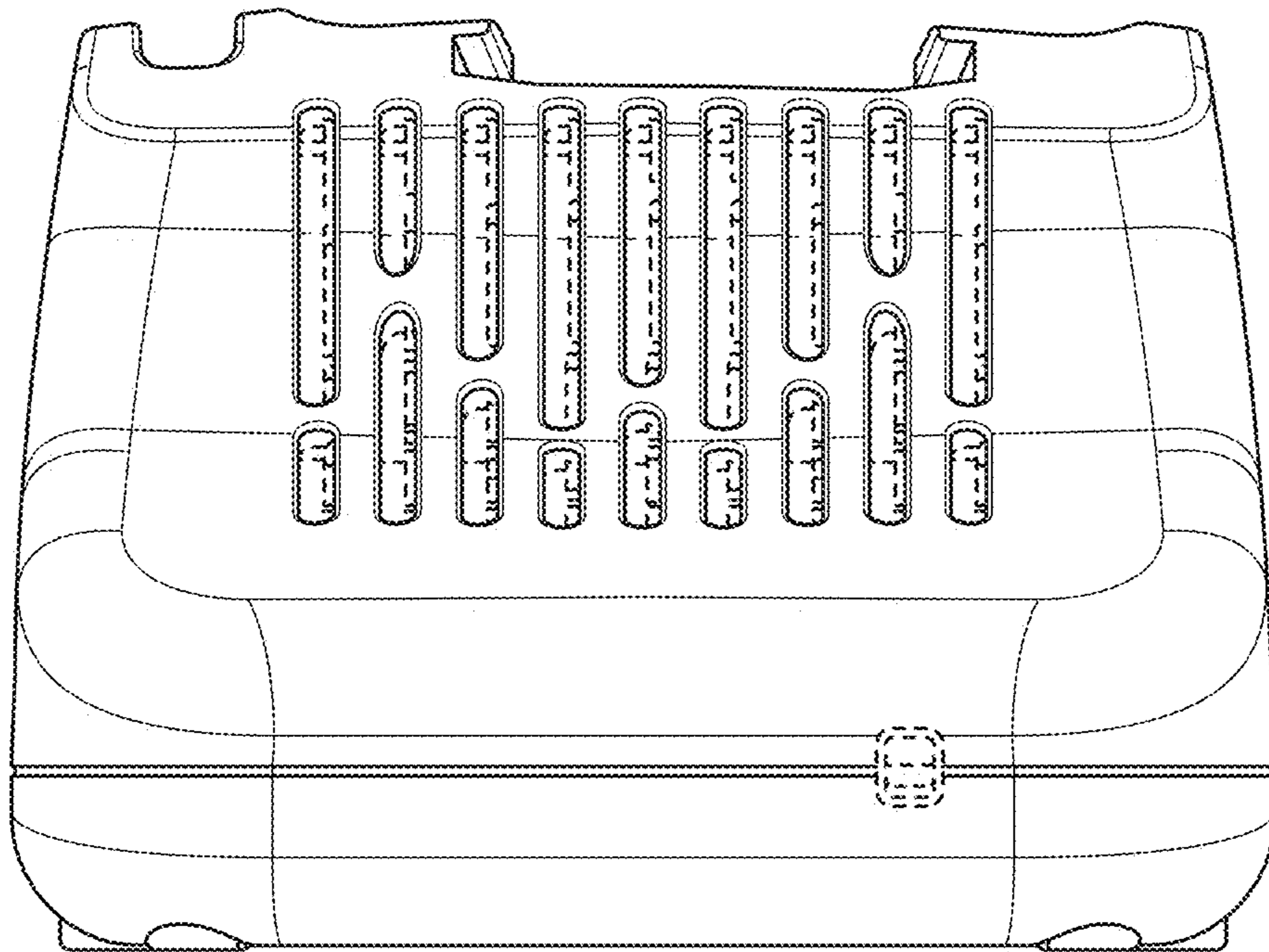


FIG. 7