



US00D928081S

(12) **United States Design Patent** (10) **Patent No.:** **US D928,081 S**
Hwang et al. (45) **Date of Patent:** **** Aug. 17, 2021**

(54) **POWER SUPPLY UNIT FOR DIGITAL SIGNAGE**

(71) Applicant: **LG ELECTRONICS INC., Seoul (KR)**

(72) Inventors: **Jungyeon Hwang, Seoul (KR); Yongho Lee, Seoul (KR)**

(73) Assignee: **LG ELECTRONICS INC., Seoul (KR)**

(**) Term: **15 Years**

(21) Appl. No.: **35/508,673**

(22) Filed: **Jun. 3, 2019**

(80) **Hague Agreement Data**

Int. Filing Date: **Jun. 3, 2019**
Int. Reg. No.: **DM/206059**
Int. Reg. Date: **Jun. 3, 2019**
Int. Reg. Pub. Date: **Feb. 28, 2020**

(30) **Foreign Application Priority Data**

Dec. 3, 2018 (KR) 30-2018-0056576

(51) **LOC (13) Cl.** **13-03**

(52) **U.S. Cl.**
USPC **D13/103**

(58) **Field of Classification Search**
USPC D13/103, 156, 110, 162, 108, 102;
D14/125, 188, 445, 313, 301
CPC H05K 7/1487; G11B 33/128; H02J 7/0042
See application file for complete search history.

(56) **References Cited**

U.S. PATENT DOCUMENTS

D719,128 S * 12/2014 Teulie D14/188
D730,307 S * 5/2015 Tang D14/125

D733,118 S * 6/2015 Ng D14/313
D754,667 S * 4/2016 Kwon D14/445
D835,092 S * 12/2018 Fu D14/301
D855,562 S * 8/2019 Jansen D13/103
D870,678 S * 12/2019 Lin D13/162
D870,679 S * 12/2019 Lin D13/162
D877,074 S * 3/2020 Stravets D13/110
D881,808 S * 4/2020 Sun D13/108
D883,927 S * 5/2020 Chan D13/110
D884,629 S * 5/2020 Zhong D13/110
D887,994 S * 6/2020 Fidler D13/156
D890,089 S * 7/2020 Yin D13/107
D896,753 S * 9/2020 Alali D13/110
D897,284 S * 9/2020 Sun D13/108
D902,141 S * 11/2020 Zheng D13/102
D902,142 S * 11/2020 Zheng D13/102
D902,857 S * 11/2020 Jia D13/110
D903,590 S * 12/2020 McPherson D13/110
D904,301 S * 12/2020 Smalley D13/110
D905,637 S * 12/2020 Gou D13/110
2003/0102785 A1 * 6/2003 Tsai G11B 33/128
312/223.1

(Continued)

Primary Examiner — Rhea Shields

(74) *Attorney, Agent, or Firm* — Birch, Stewart, Kolasch & Birch LLP

(57) **CLAIM**

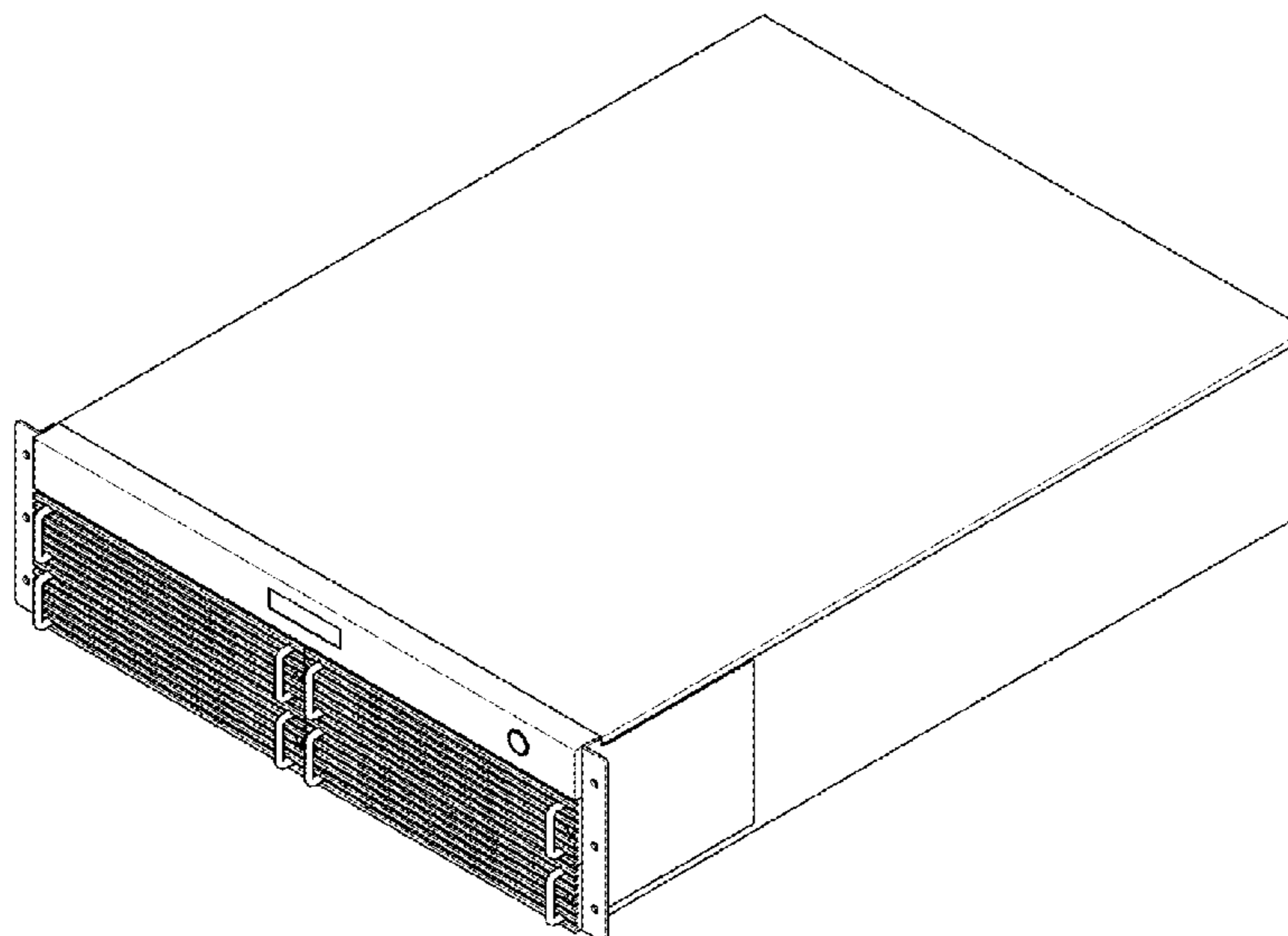
The ornamental design for a power supply unit for digital signage, as shown and described.

DESCRIPTION

- 1. Power supply unit for digital signage
- 1.1 : Perspective
- 1.2 : Front
- 1.3 : Back
- 1.4 : Left
- 1.5 : Right
- 1.6 : Top
- 1.7 : Bottom

The broken lines indicate portions of the article that form no part of the claimed design.

1 Claim, 7 Drawing Sheets



(56)

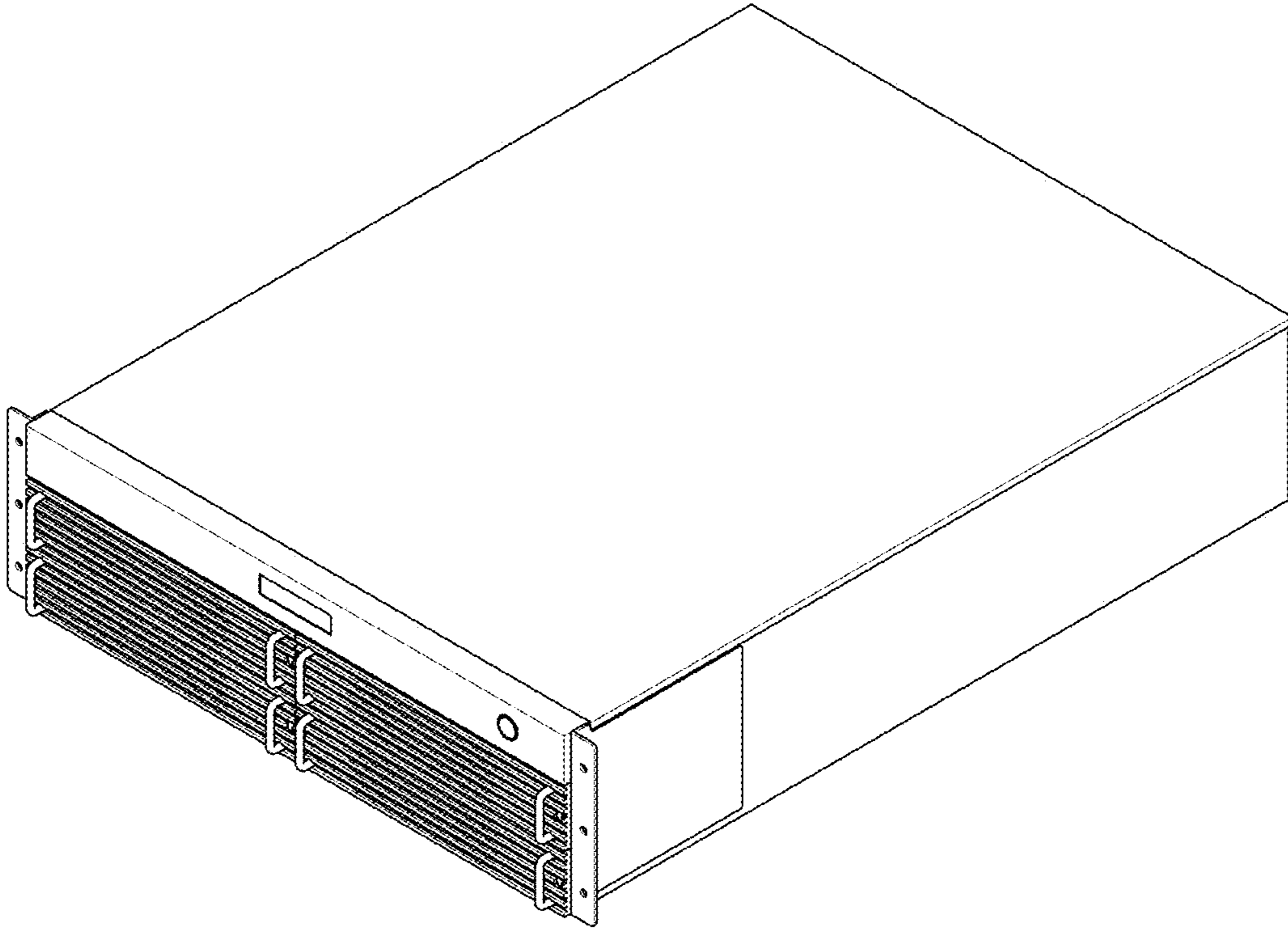
References Cited

U.S. PATENT DOCUMENTS

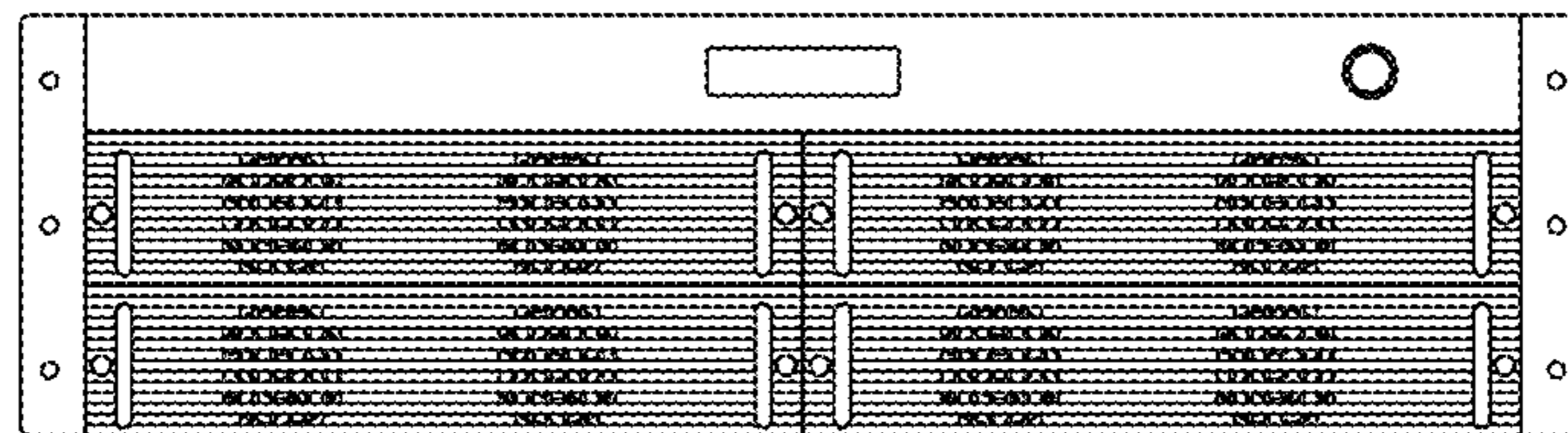
2005/0122702 A1* 6/2005 Chen H05K 7/1487
361/797

* cited by examiner

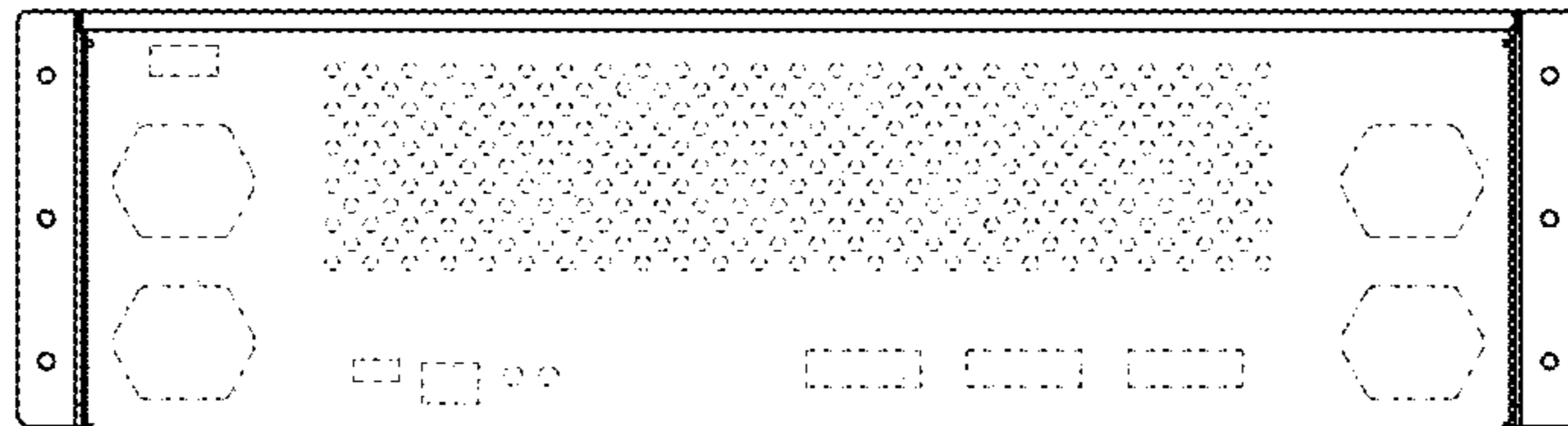
1.1



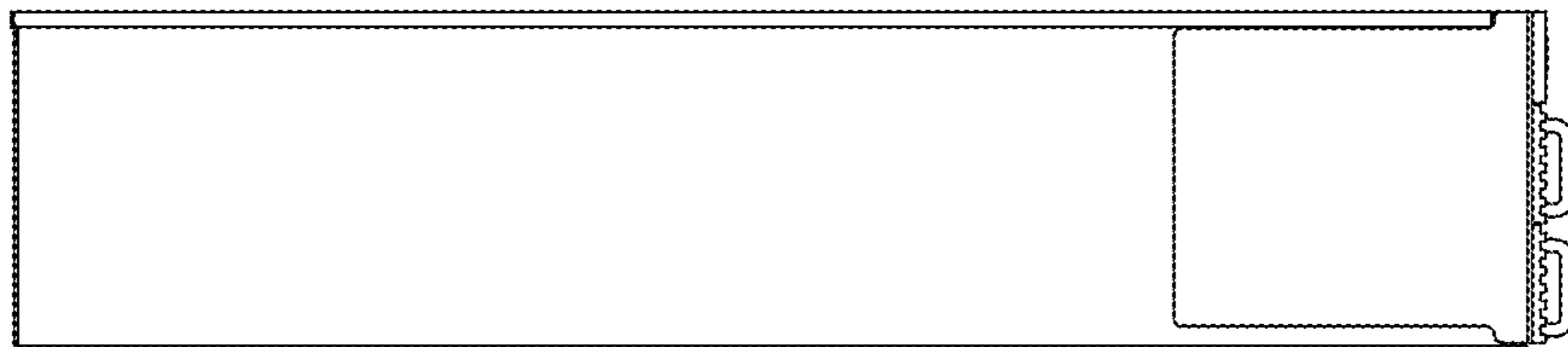
1.2



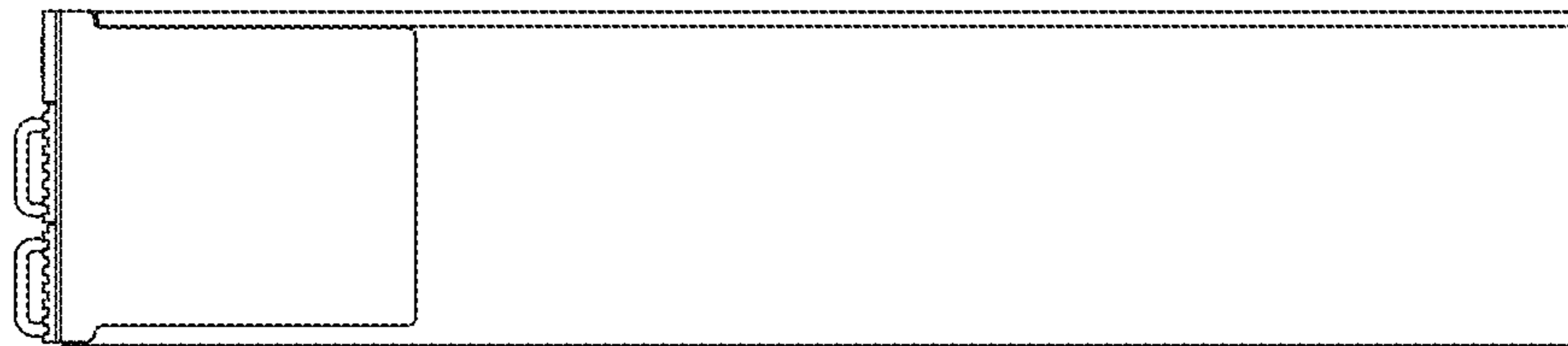
1.3



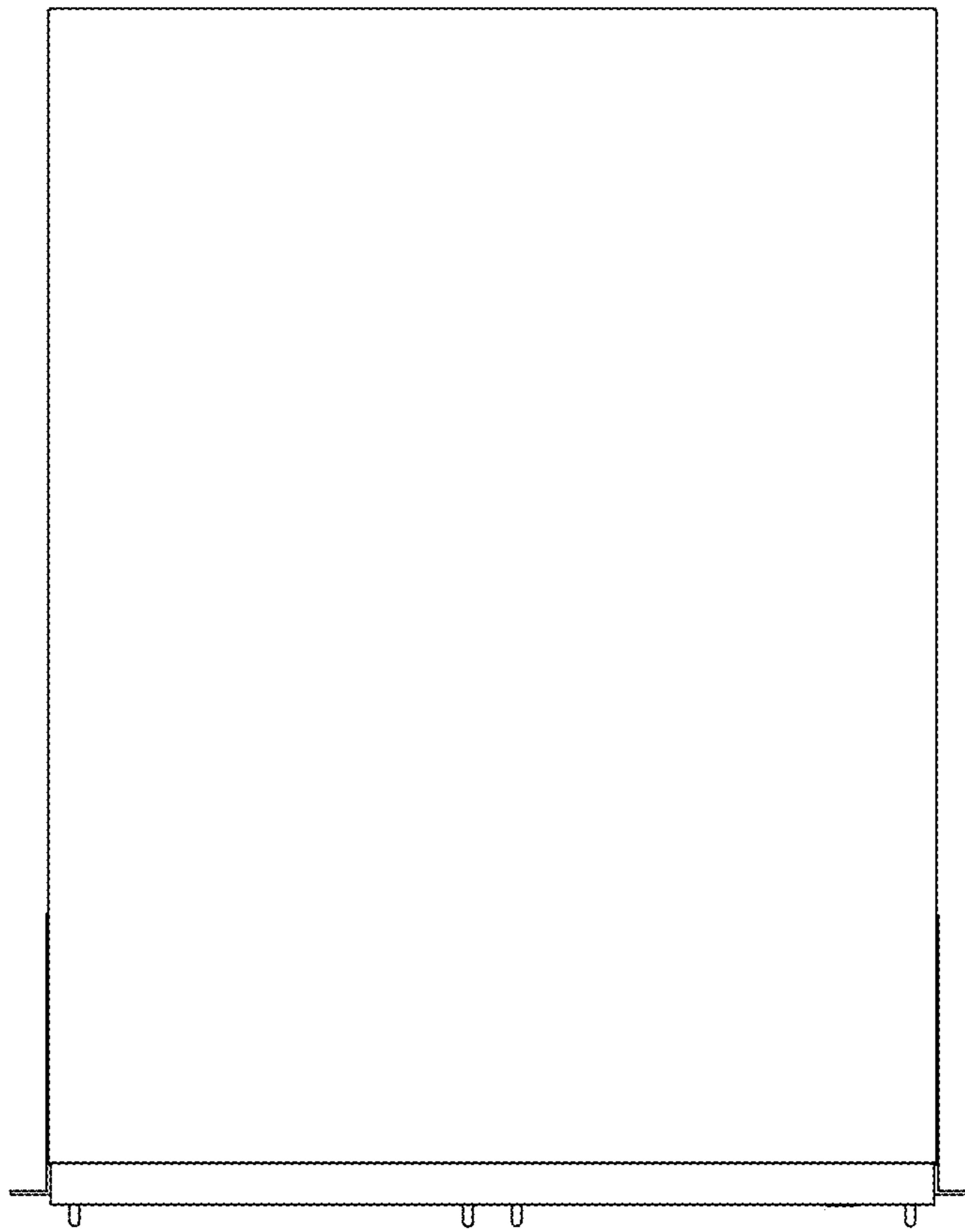
1.4



1.5



1.6



1.7

