



US00D928072S

(12) **United States Design Patent**
Liang et al.

(10) **Patent No.:** **US D928,072 S**

(45) **Date of Patent:** **** Aug. 17, 2021**

(54) **AERIAL VEHICLE**

(71) Applicant: **SZ DJI TECHNOLOGY CO., LTD.**,
Shenzhen (CN)

(72) Inventors: **Bo Liang**, Shenzhen (CN); **Xiaolong Wu**, Shenzhen (CN); **Zhan Shu**,
Shenzhen (CN)

(73) Assignee: **SZ DJI TECHNOLOGY CO., LTD.**,
Shenzhen (CN)

(**) Term: **15 Years**

(21) Appl. No.: **29/672,141**

(22) Filed: **Dec. 3, 2018**

(51) **LOC (13) Cl.** **12-07**

(52) **U.S. Cl.**
USPC **D12/328**

(58) **Field of Classification Search**
USPC D12/1-4, 16.1, 319-345; D21/301, 436,
D21/441, 442, 443, 444, 447, 448, 449,
D21/450, 451, 452, 453, 454, 455
CPC B64C 39/024; B64C 2201/108; B64C
2201/141; B64C 2201/024
See application file for complete search history.

(56) **References Cited**

U.S. PATENT DOCUMENTS

- D780,062 S * 2/2017 Wu D12/16.1
- 9,586,684 B2 * 3/2017 Carroll B64C 39/024
- D803,097 S * 11/2017 Wang D12/16.1
- D808,860 S * 1/2018 Tian D12/16.1
- D816,582 S * 5/2018 Liang D12/328
- D820,768 S * 6/2018 Wang D12/328
- 10,351,241 B2 * 7/2019 Pfoertzsch G05D 1/12
- 10,366,549 B1 * 7/2019 Mash B60L 1/00
- 10,374,331 B2 * 8/2019 Xiao H01R 4/38
- 10,377,483 B2 * 8/2019 Champagne, Jr. B64C 39/024

- D862,359 S * 10/2019 Chen D12/328
- D862,360 S * 10/2019 Liang D12/328
- D870,638 S * 12/2019 Kuanliang D12/328
- 10,527,711 B2 * 1/2020 Choi B64D 47/08
- 10,569,872 B2 * 2/2020 Erickson B64C 39/024
- 10,583,929 B2 * 3/2020 Ozaki B64C 39/024
- D885,301 S * 5/2020 Luo D12/328
- 10,696,383 B2 * 6/2020 Hsieh B64C 39/024

(Continued)

Primary Examiner — Marissa J Cash

(74) *Attorney, Agent, or Firm* — Anova Law Group,
PLLC

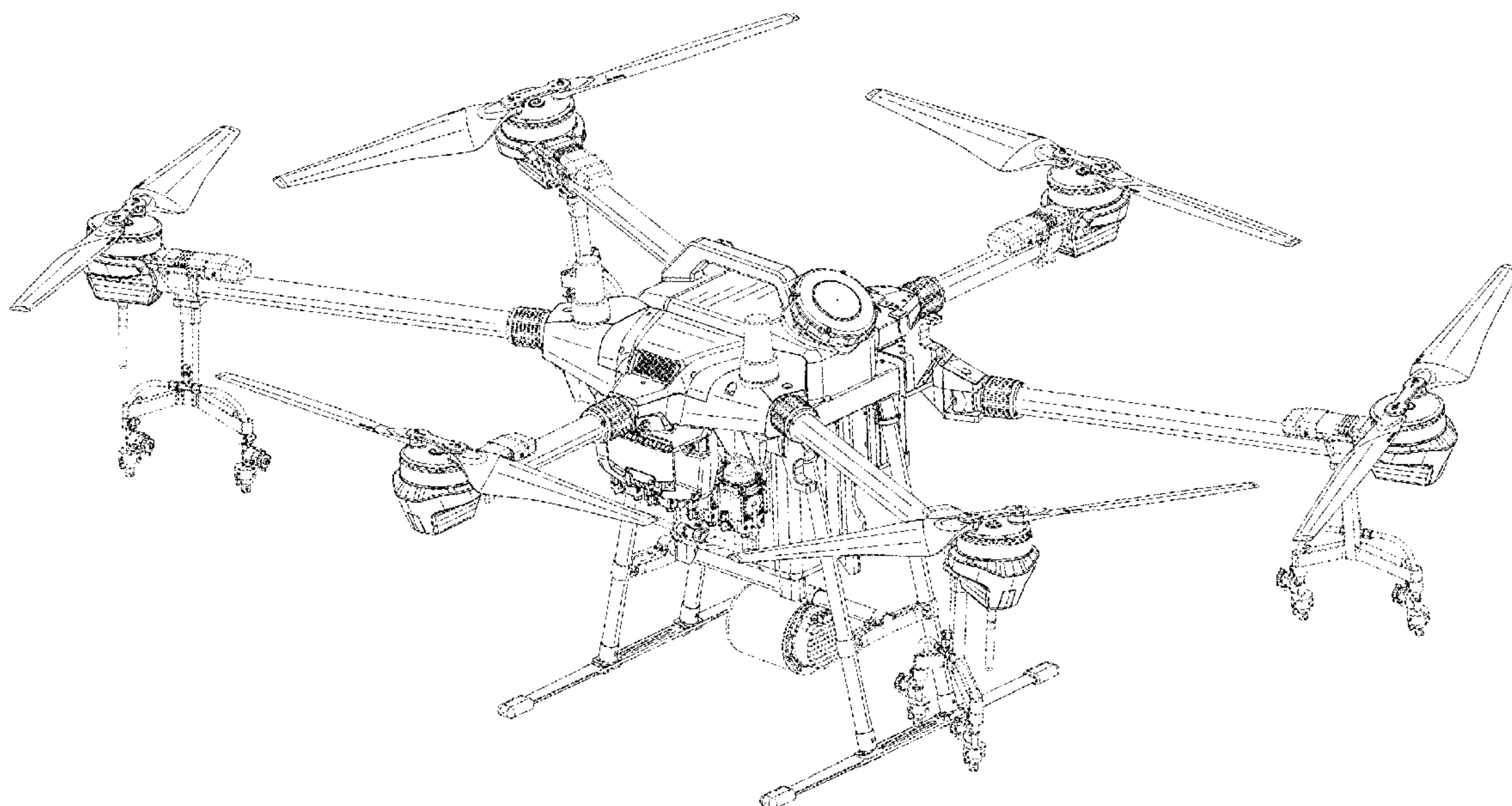
(57) **CLAIM**

The ornamental design for an aerial vehicle, as shown and described.

DESCRIPTION

FIG. 1 is a perspective view of an aerial vehicle in accordance with the present disclosure;
 FIG. 2 is a front view of the aerial vehicle shown in FIG. 1;
 FIG. 3 is a back view of the aerial vehicle shown in FIG. 1;
 FIG. 4 is a left view of the aerial vehicle shown in FIG. 1;
 FIG. 5 is a right view of the aerial vehicle shown in FIG. 1;
 FIG. 6 is a top view of the aerial vehicle shown in FIG. 1;
 FIG. 7 is a perspective view of the aerial vehicle in an alternative configuration;
 FIG. 8 is a front view of the aerial vehicle in the alternative configuration;
 FIG. 9 is a back view of the aerial vehicle in the alternative configuration;
 FIG. 10 is a left view of the aerial vehicle in the alternative configuration;
 FIG. 11 is a right view of the aerial vehicle in the alternative configuration; and,
 FIG. 12 is a top view of the aerial vehicle in the alternative configuration.

1 Claim, 12 Drawing Sheets



(56)

References Cited

U.S. PATENT DOCUMENTS

2016/0340028 A1* 11/2016 Datta B64C 15/12
2017/0144756 A1* 5/2017 Rastgaar Aagaah
G05D 1/0094
2017/0152035 A1* 6/2017 Zhao B64C 27/08
2018/0194484 A1* 7/2018 Livieratos B64D 27/04
2019/0084673 A1* 3/2019 Chen B64C 39/024
2020/0317318 A1* 10/2020 Wu B64C 1/30

* cited by examiner

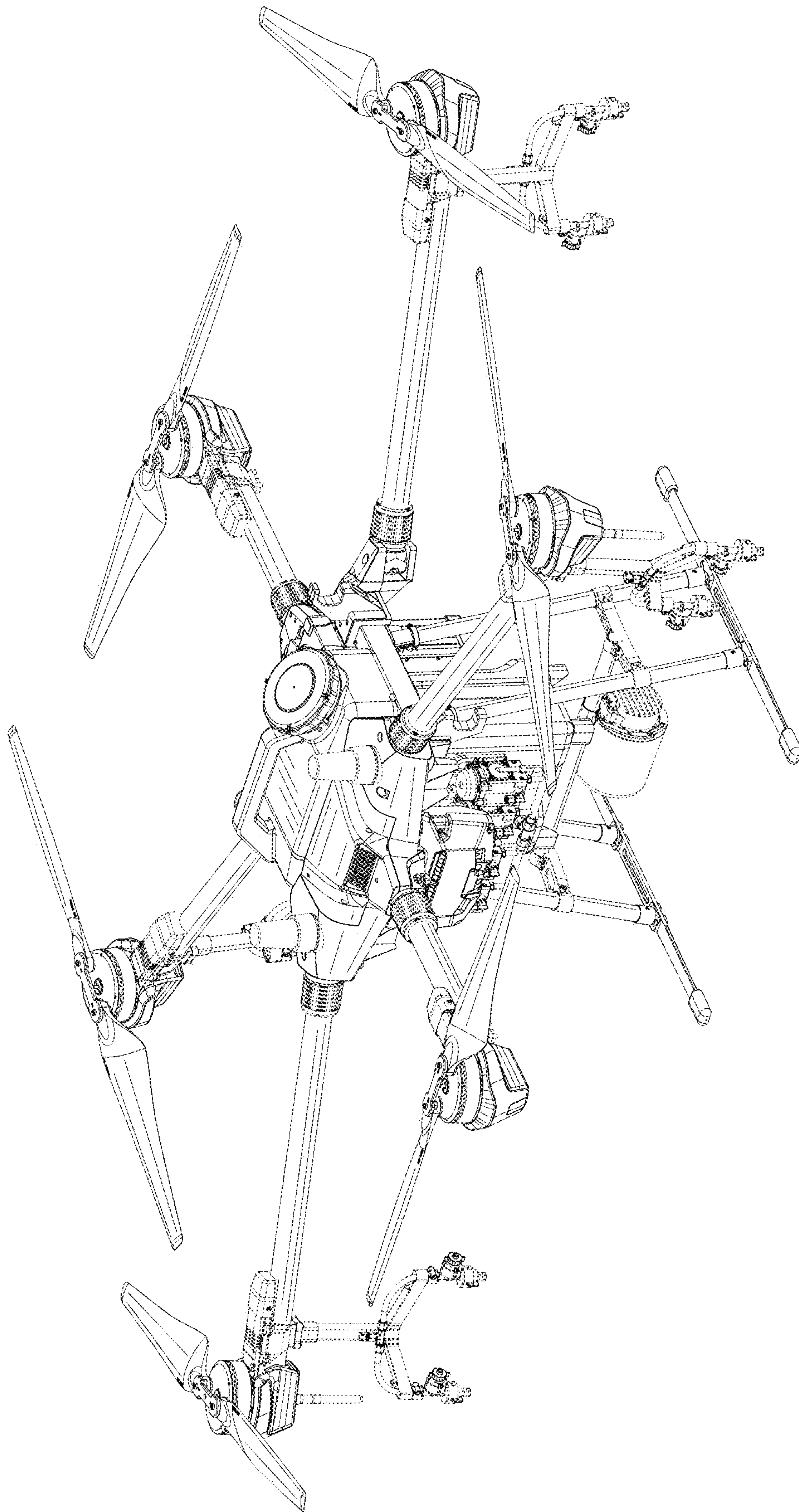


FIG. 1

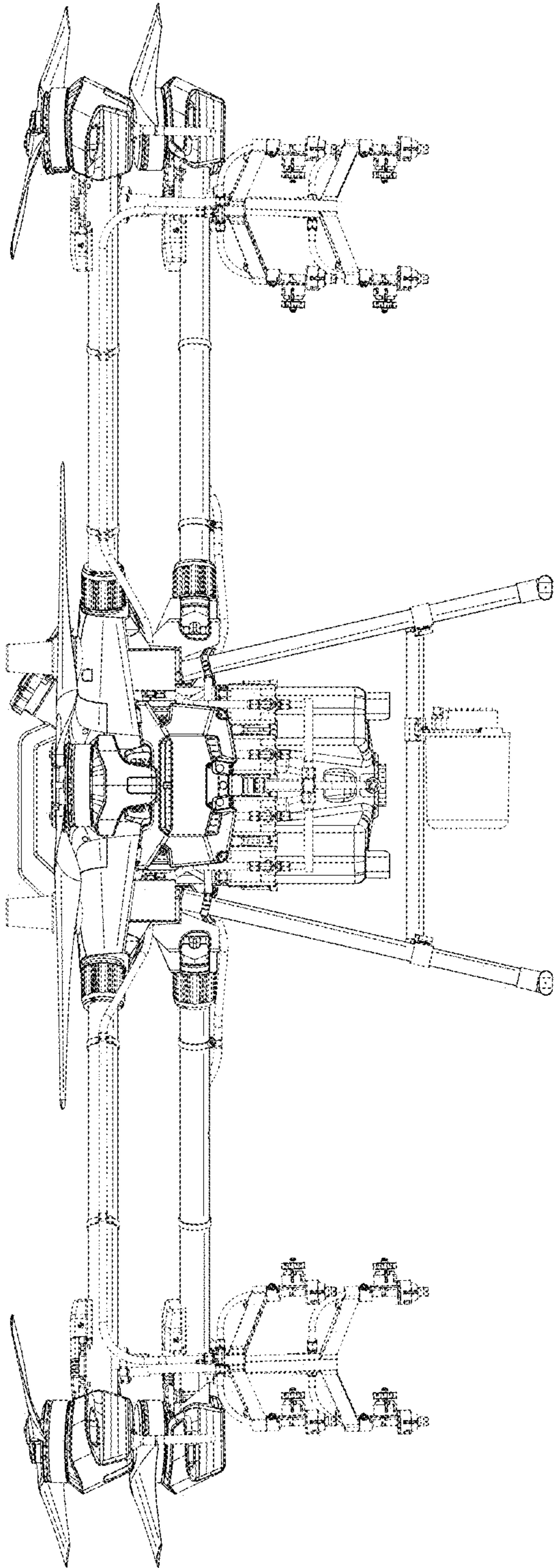


FIG. 2

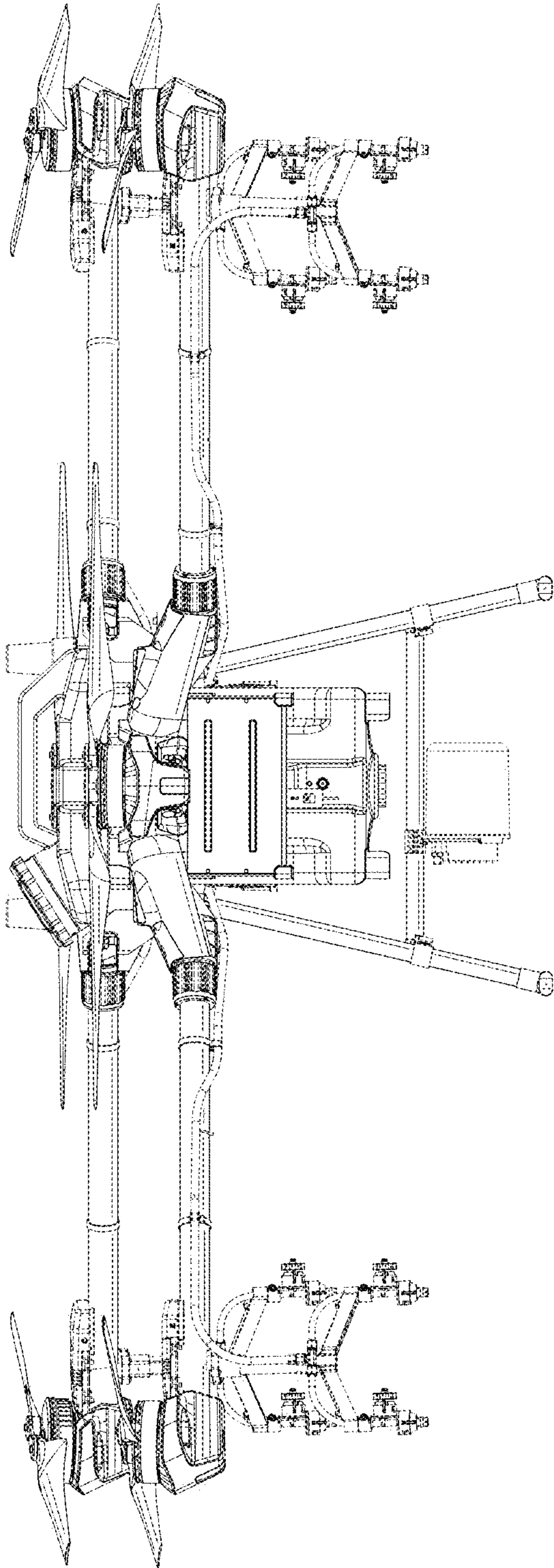


FIG. 3

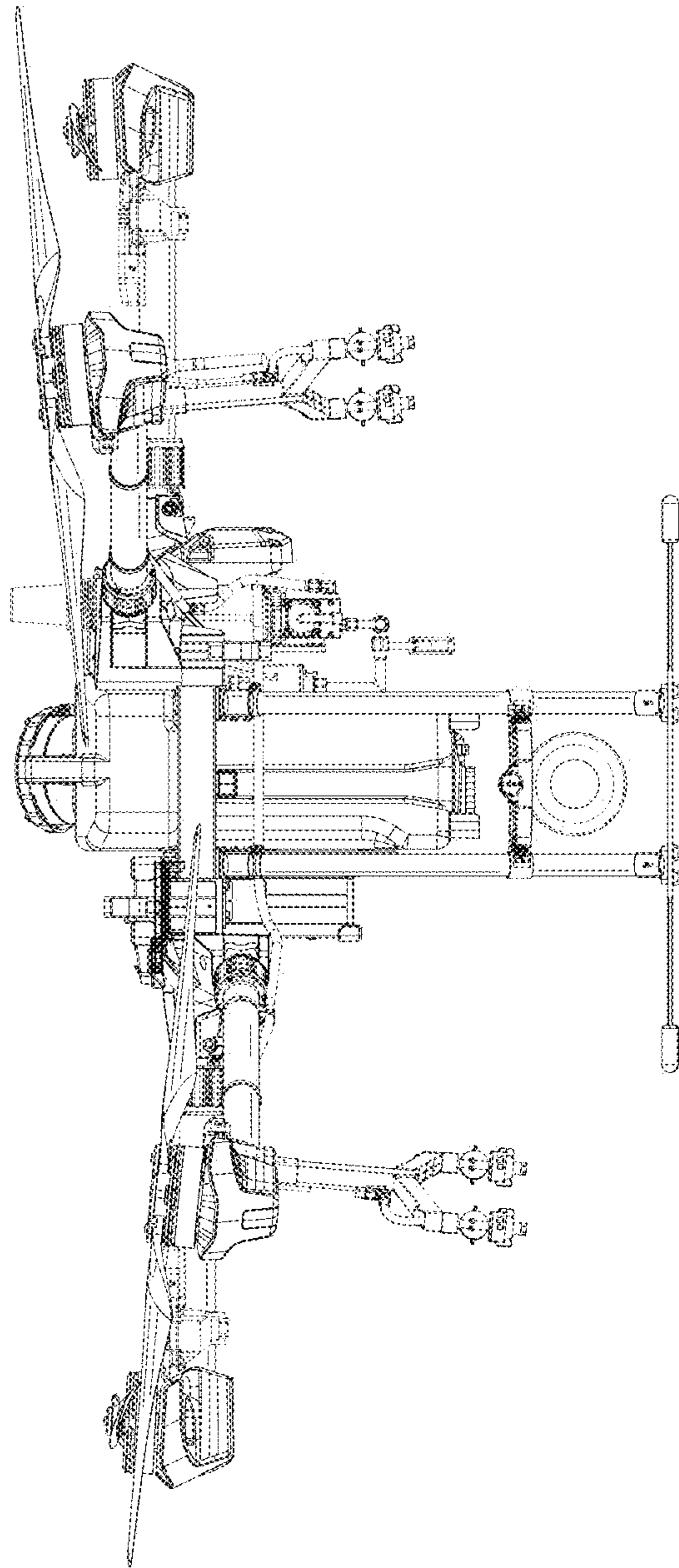


FIG. 4

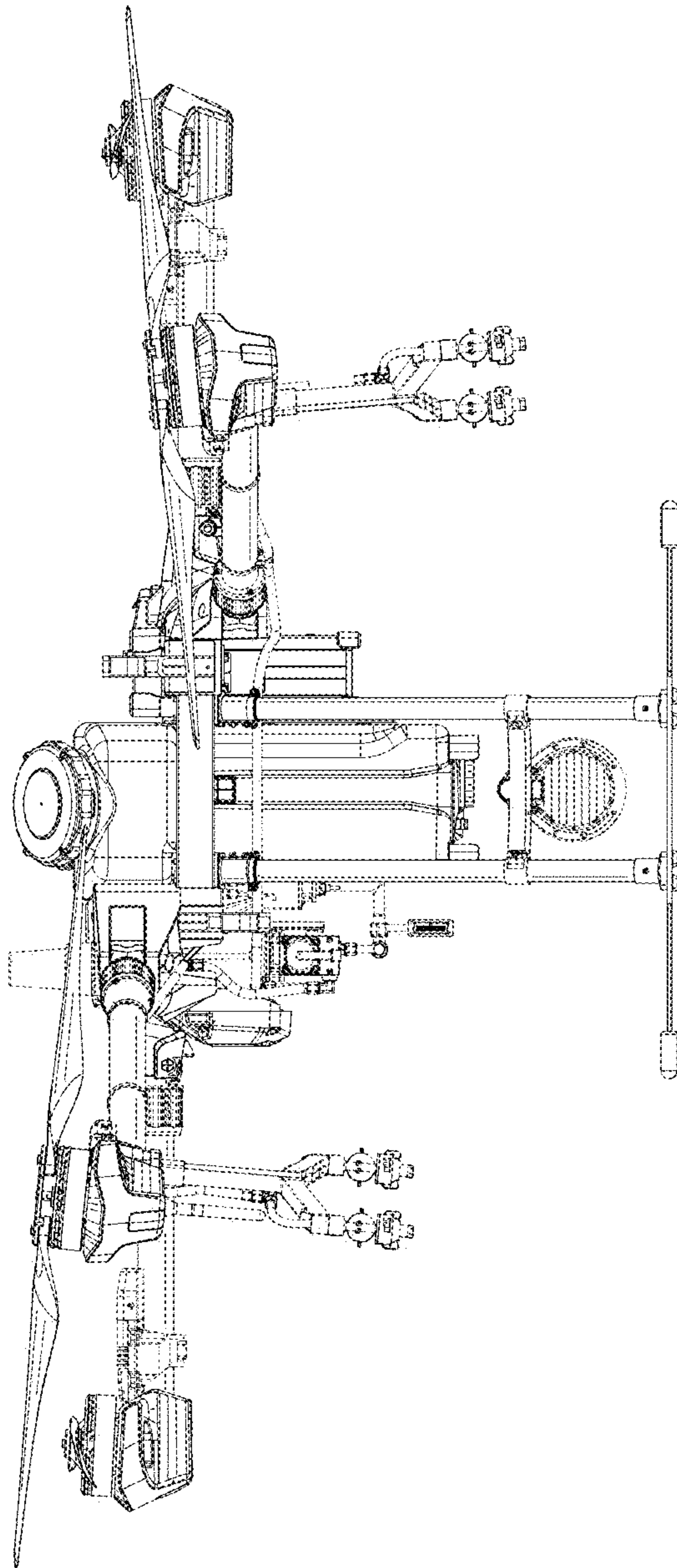


FIG. 5

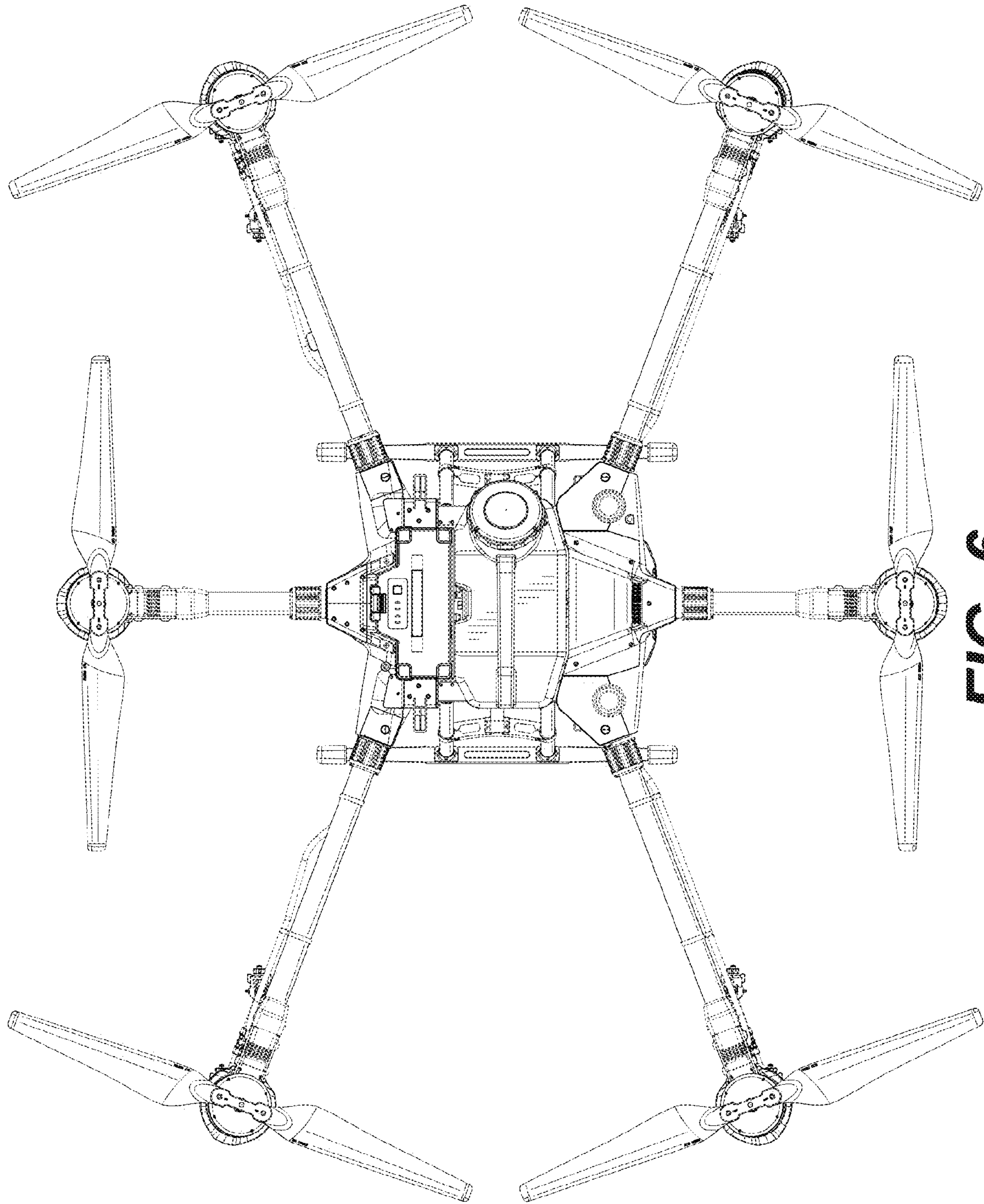


FIG. 6

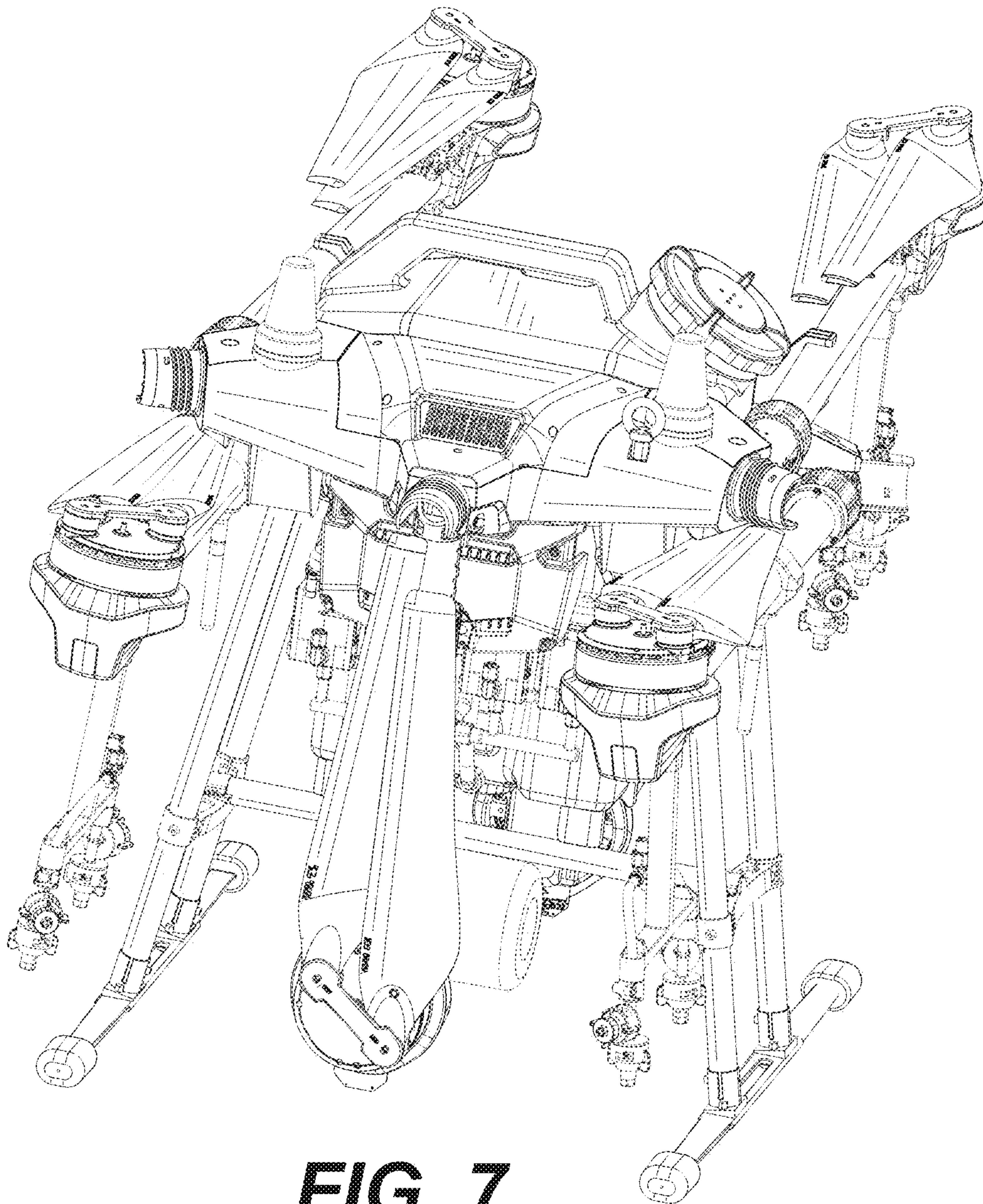


FIG. 7

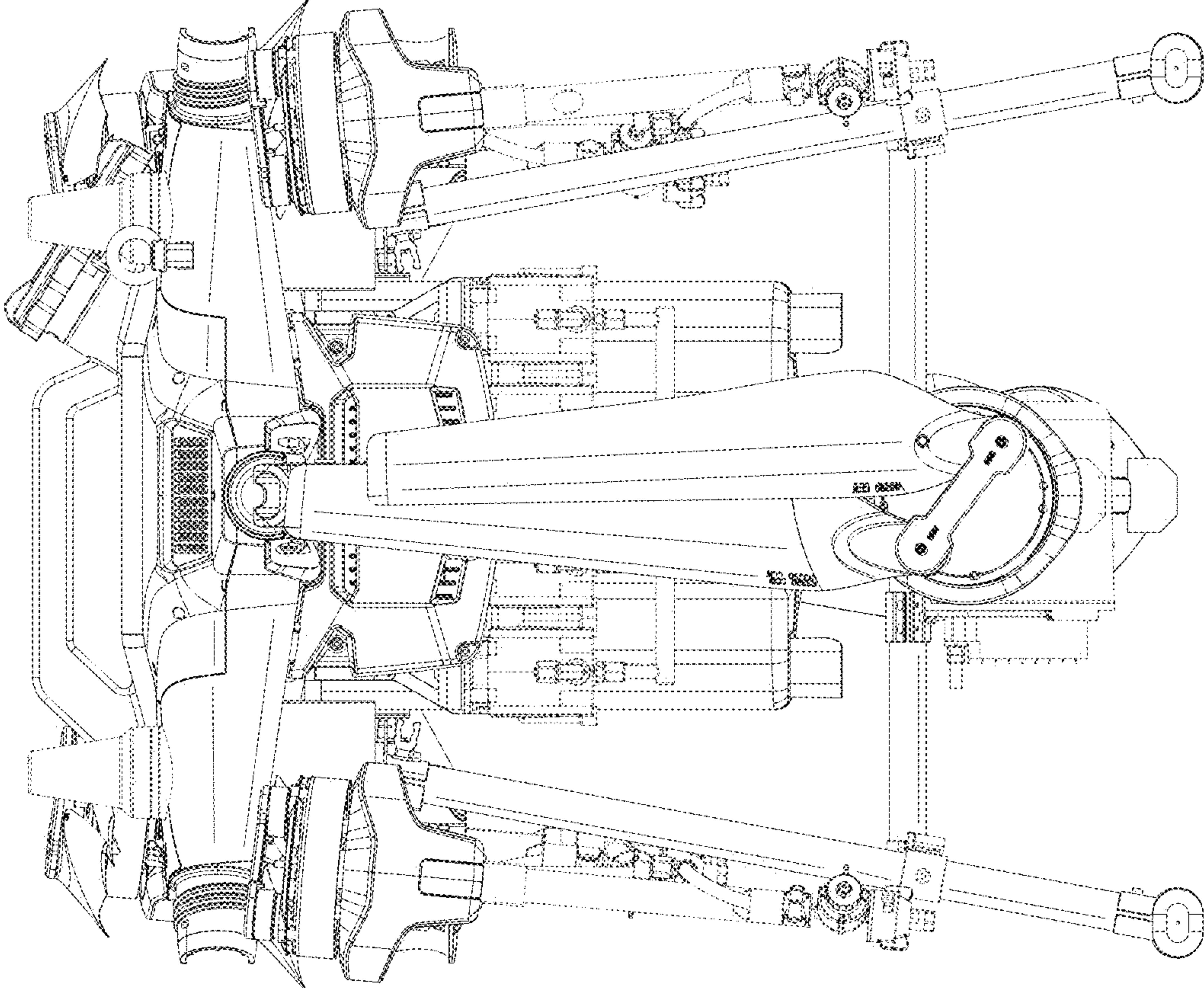


FIG. 8

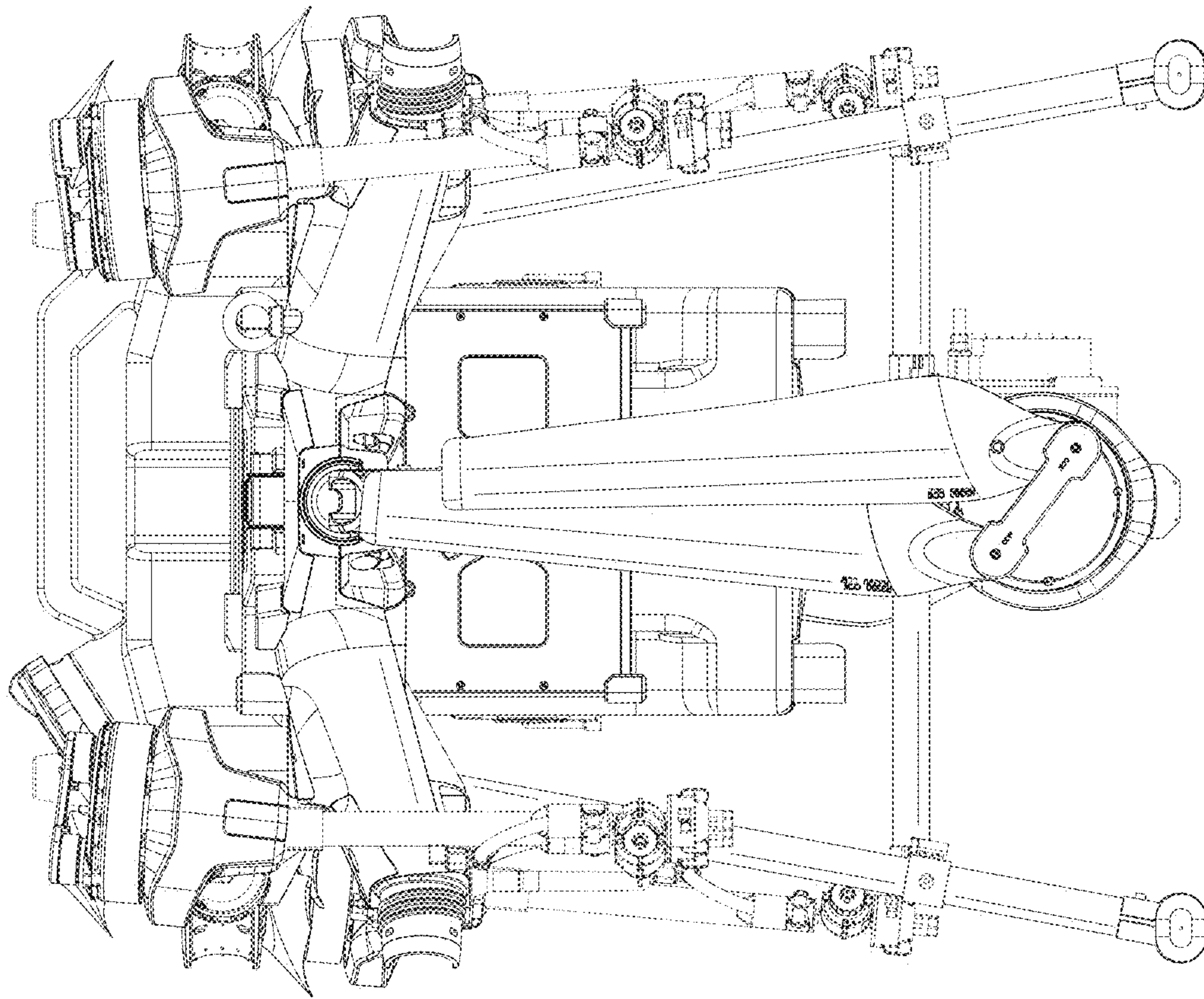


FIG. 9

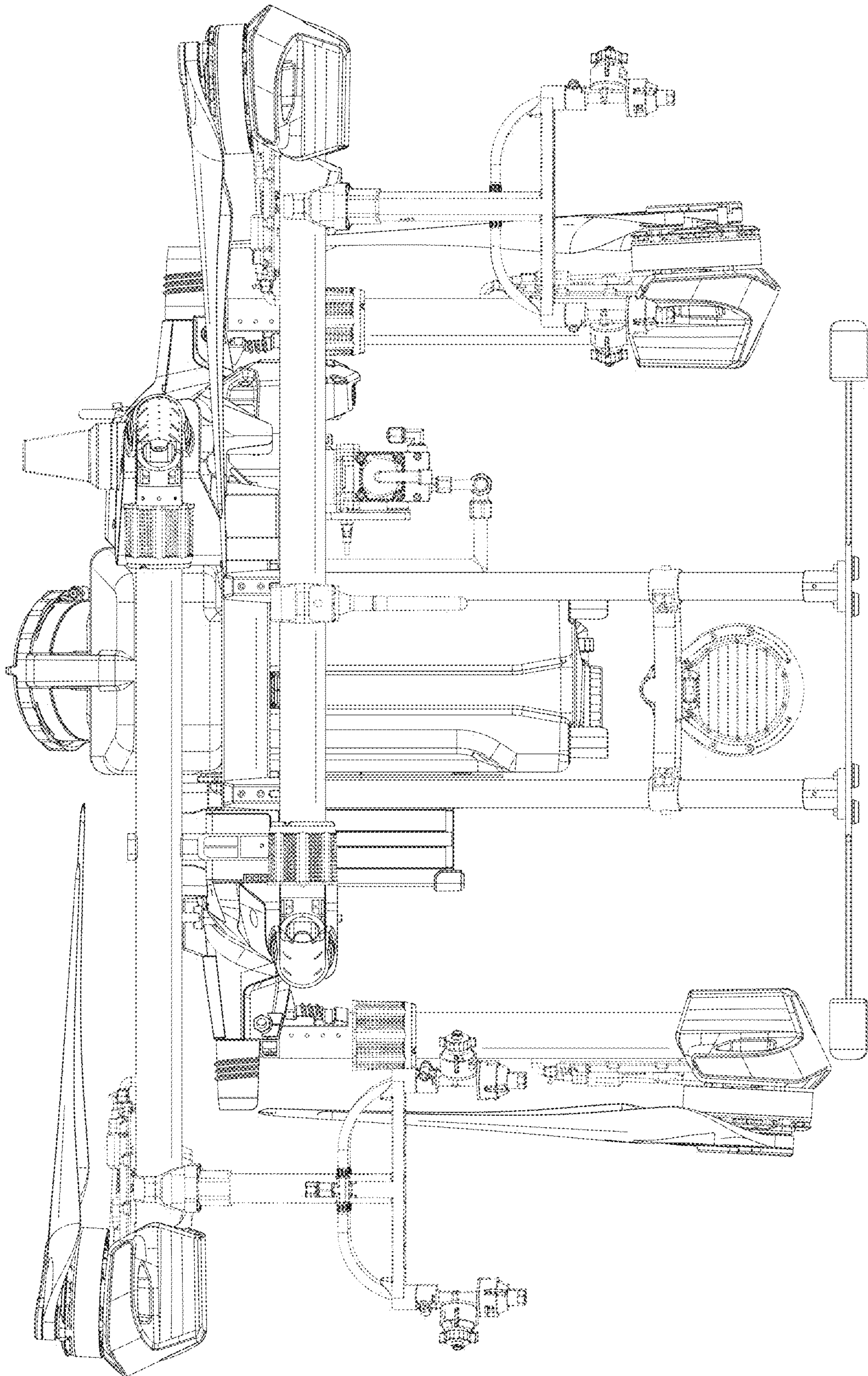


FIG. 10

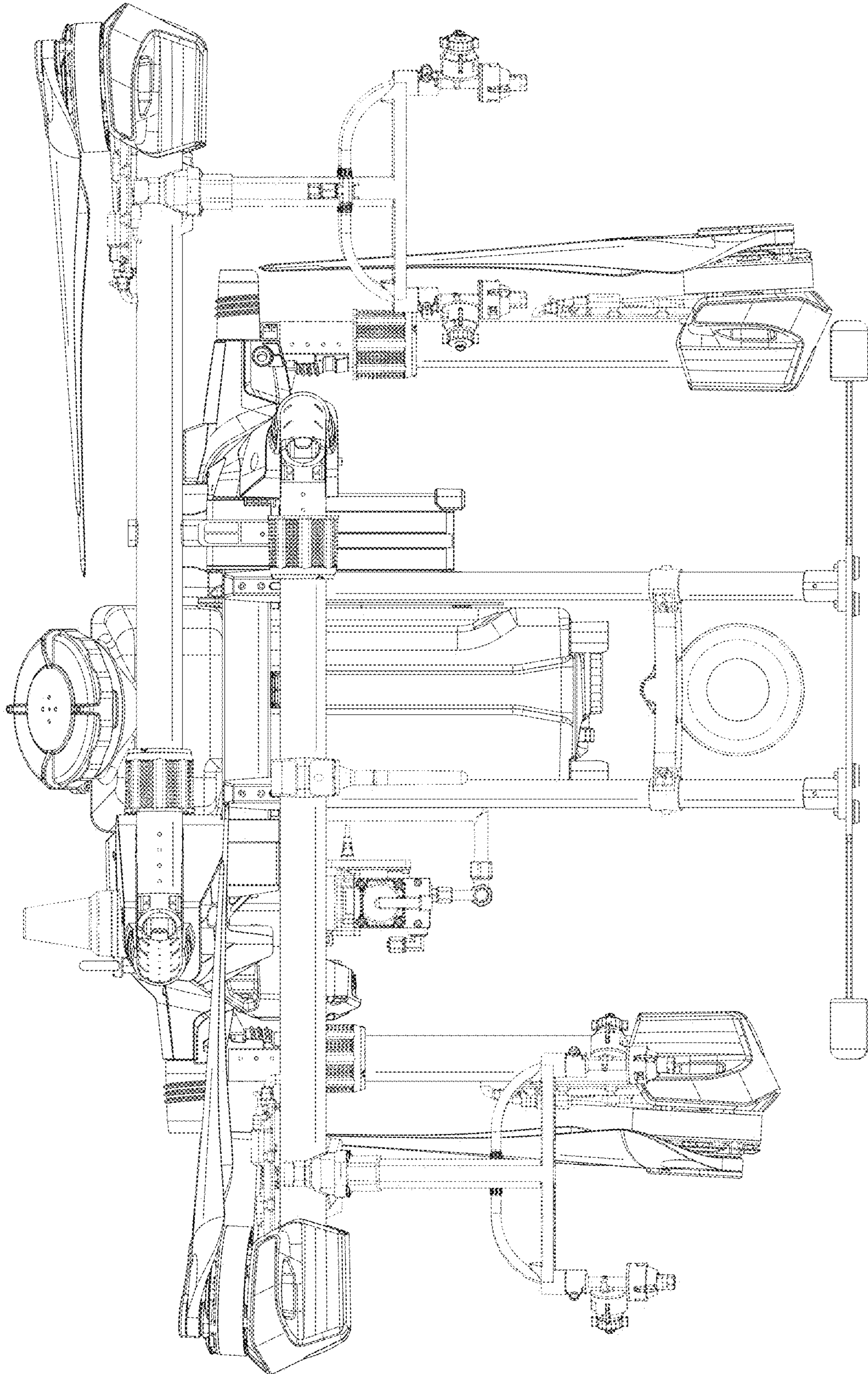


FIG. 11

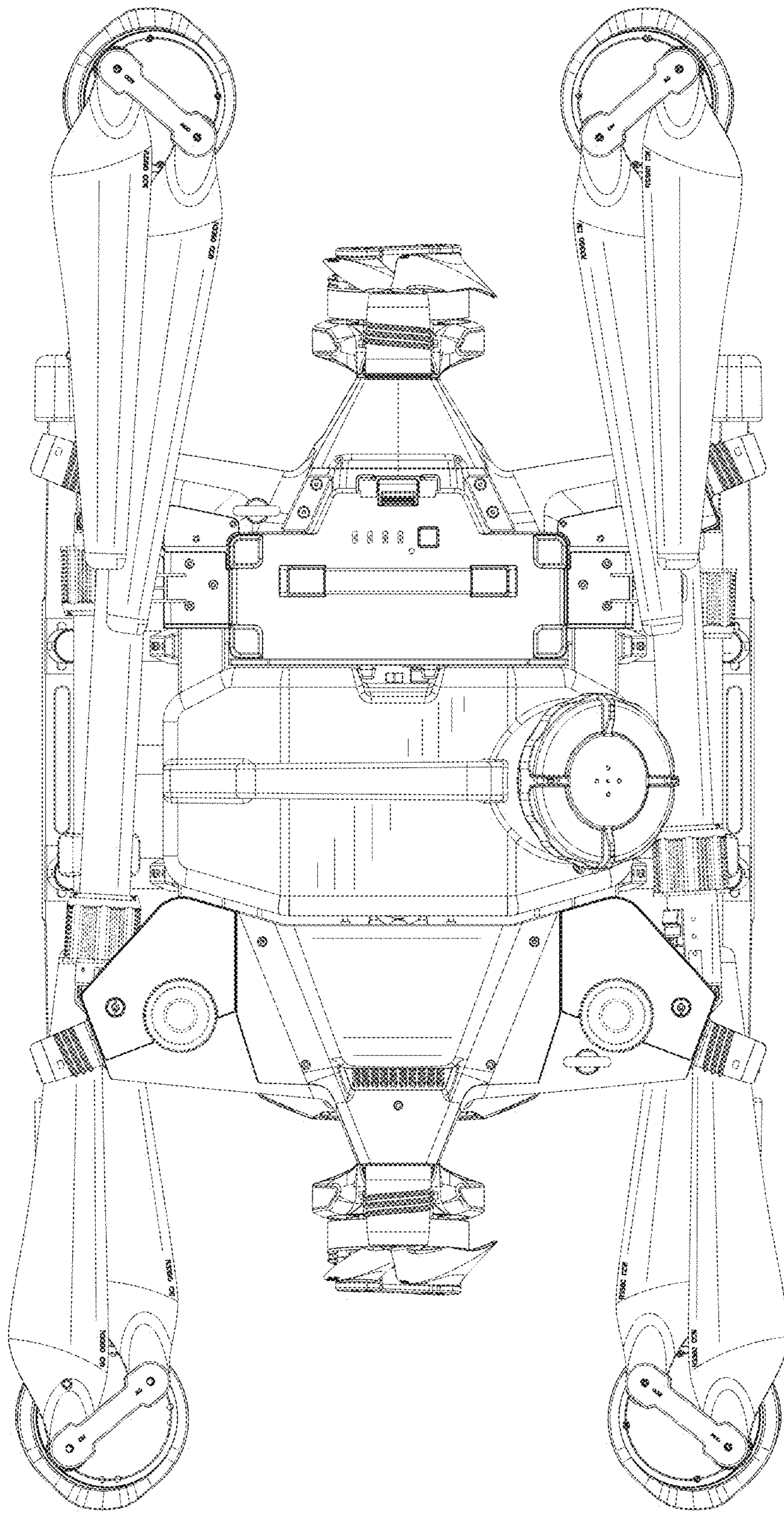


FIG. 12