



US00D928071S

(12) **United States Design Patent**
Löwenstein

(10) **Patent No.:** **US D928,071 S**
(45) **Date of Patent:** **** Aug. 17, 2021**

(54) **HELICOPTER**
(71) Applicant: **Kopter group ag**, Mollis (CH)
(72) Inventor: **Andreas Löwenstein**, Wetzikon (CH)
(73) Assignee: **kopter group ag**, Mollis (CH)
(**) Term: **15 Years**

D524,718 S * 7/2006 Scott D12/327
D526,269 S * 8/2006 Eadie B64C 25/52
D12/327
D730,803 S * 6/2015 Hoover D12/326
9,932,123 B2 * 4/2018 Maloney B29C 66/543
D817,253 S * 5/2018 Jeong B29C 66/543
D12/327
10,279,885 B2 * 5/2019 Fink B64C 1/06
D894,814 S * 9/2020 Kooiman D12/327
D896,730 S * 9/2020 Kooiman B64C 1/06
D12/319
2018/0244368 A1 * 8/2018 Vogl B64C 11/32

(21) Appl. No.: **35/508,890**
(22) Filed: **Jan. 22, 2020**

* cited by examiner

(80) **Hague Agreement Data**
Int. Filing Date: **Jan. 22, 2020**
Int. Reg. No.: **DM/206553**
Int. Reg. Date: **Jan. 22, 2020**
Int. Reg. Pub. Date: **Mar. 27, 2020**

Primary Examiner — George D. Kirschbaum
Assistant Examiner — Joseph J Kukella
(74) *Attorney, Agent, or Firm* — Paul D. Bianco; Gary S. Winer; Fleit Intellectual Property Law

(51) **LOC (13) Cl.** **12-07**
(52) **U.S. Cl.**
USPC **D12/327**

(57) **CLAIM**

The ornamental design for a helicopter, as shown and described.

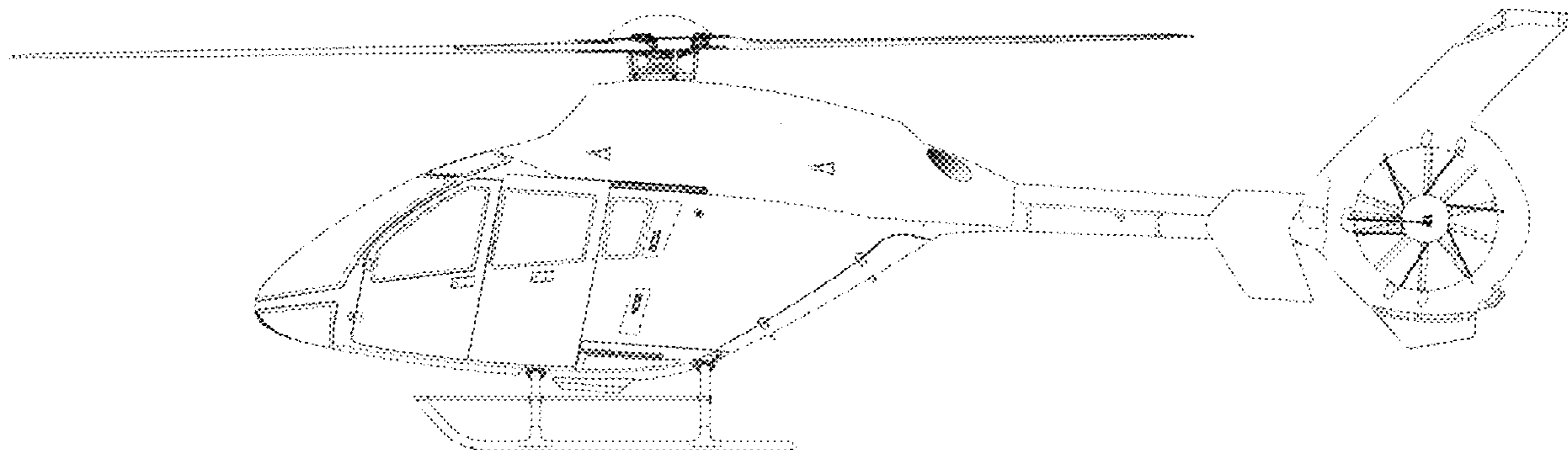
(58) **Field of Classification Search**
USPC D12/326, 327; D21/533
CPC .. B64C 27/00; B64C 27/04; B64C 2027/8254
See application file for complete search history.

DESCRIPTION

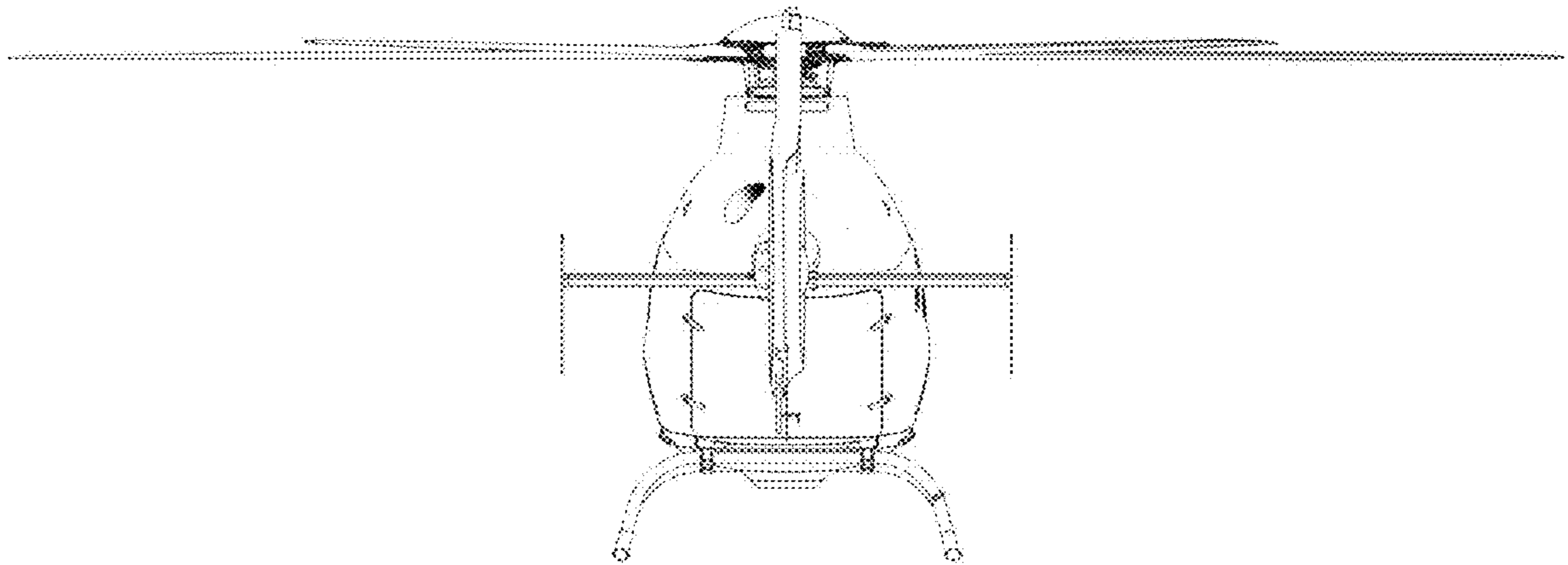
(56) **References Cited**
U.S. PATENT DOCUMENTS
D239,930 S * 5/1976 Ulisnik D12/327
5,217,183 A * 6/1993 Liautaud B64C 25/52
244/100 R
5,562,264 A * 10/1996 Bietenhader B64C 1/06
244/120

1. Helicopter
Figure 1.1 is a back view of a helicopter according to the present invention;
Figure 1.2 is a bottom view of the helicopter of Figure 1.1;
Figure 1.3 is a front view of the helicopter of Figure 1.1;
Figure 1.4 is a left view of the helicopter of Figure 1.1;
Figure 1.5 is a perspective view of the helicopter of Figure 1.1;
Figure 1.6 is a right view of the helicopter of Figure 1.1; and
Figure 1.7 is a top view of the helicopter of Figure 1.1.

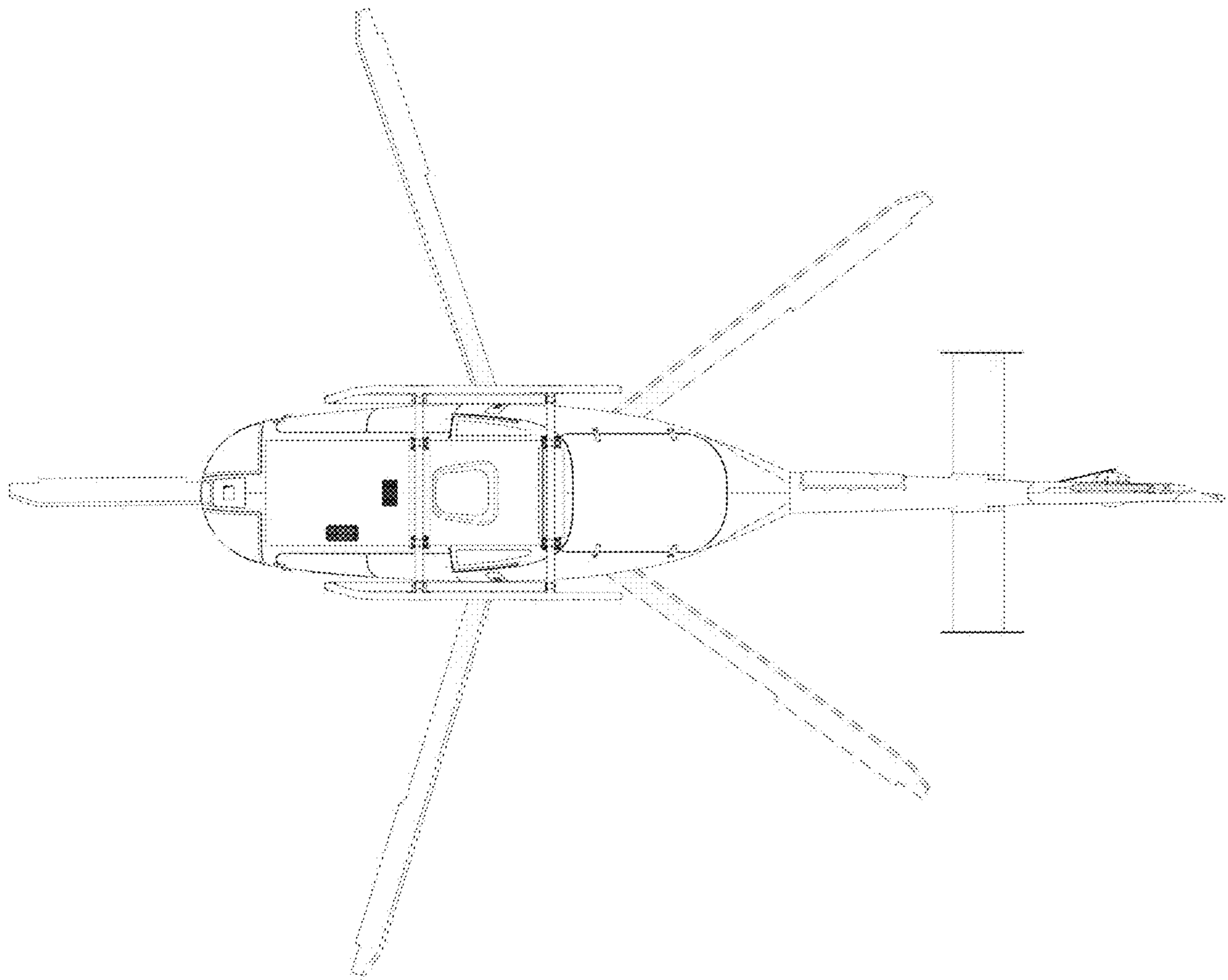
1 Claim, 7 Drawing Sheets



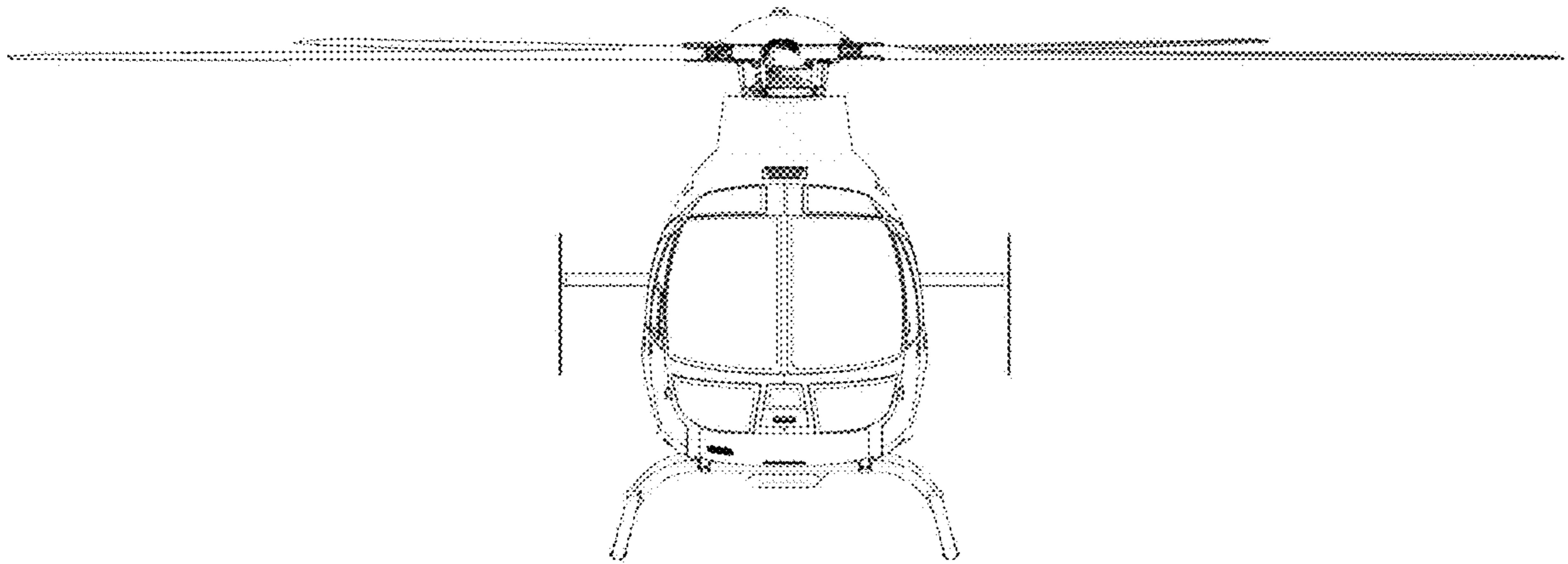
1.1



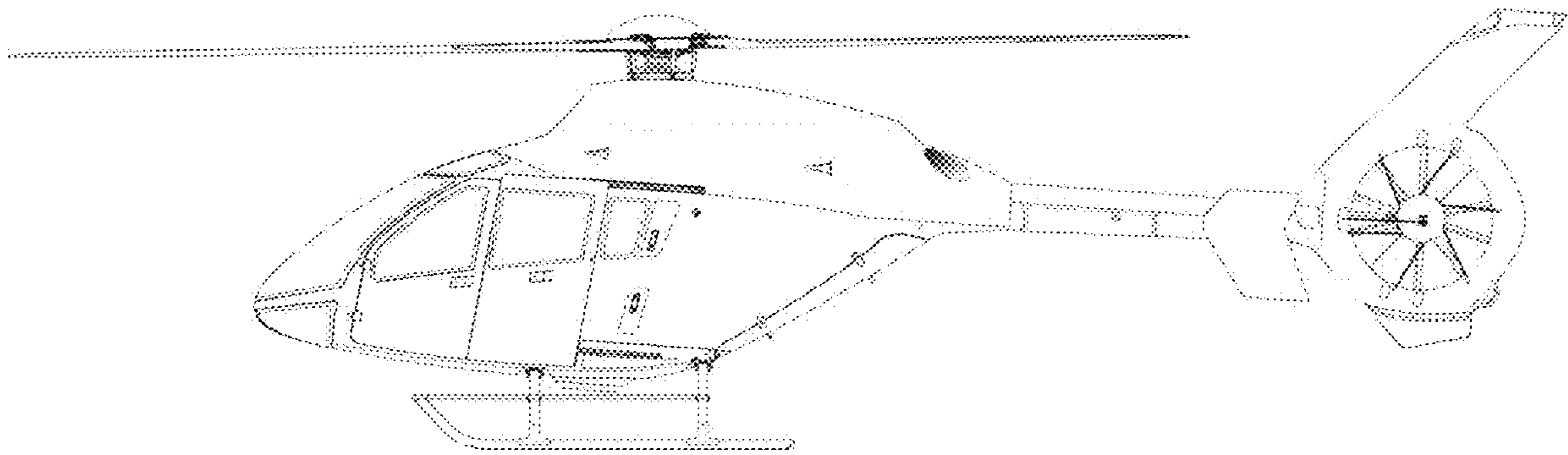
1.2



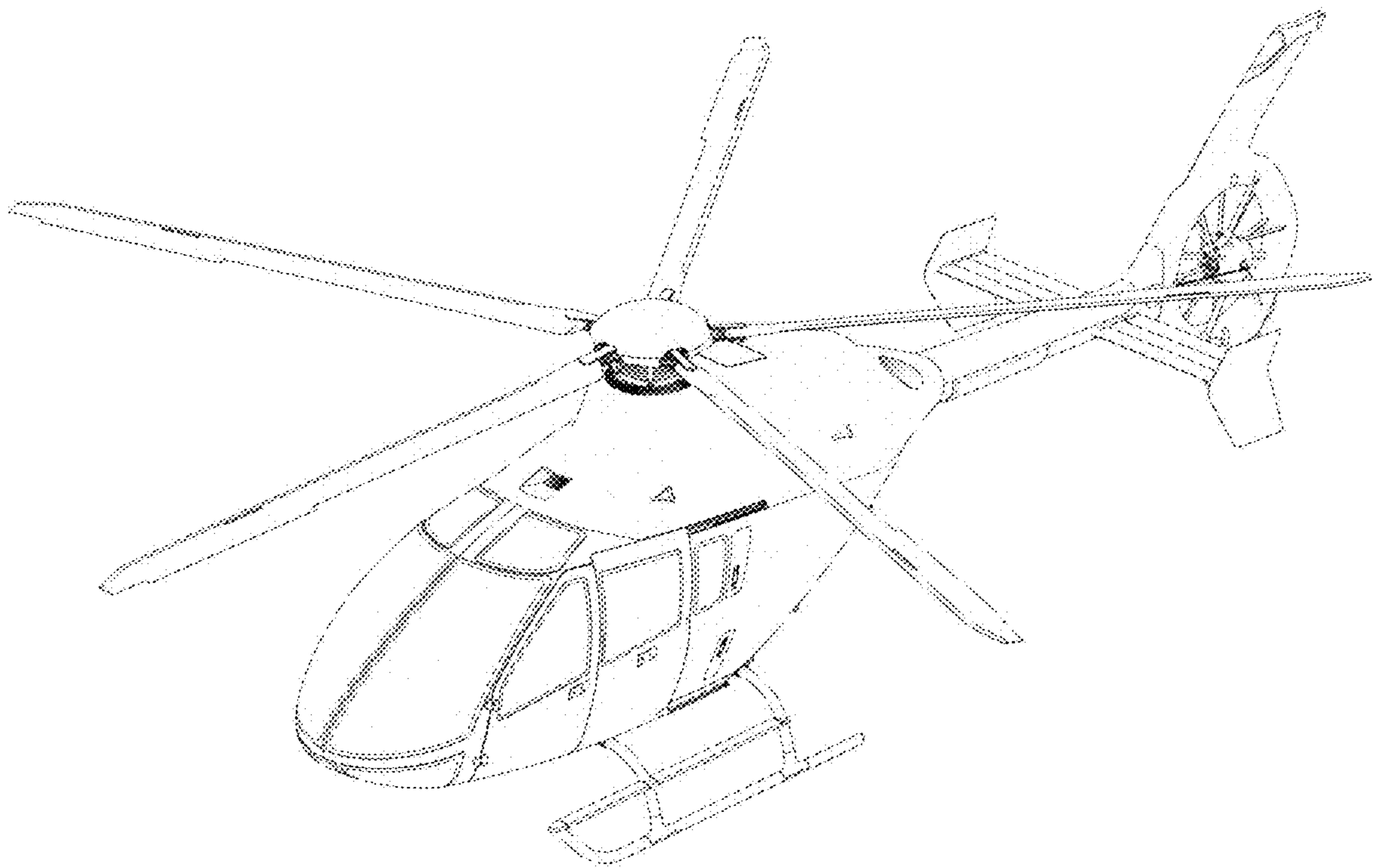
1.3



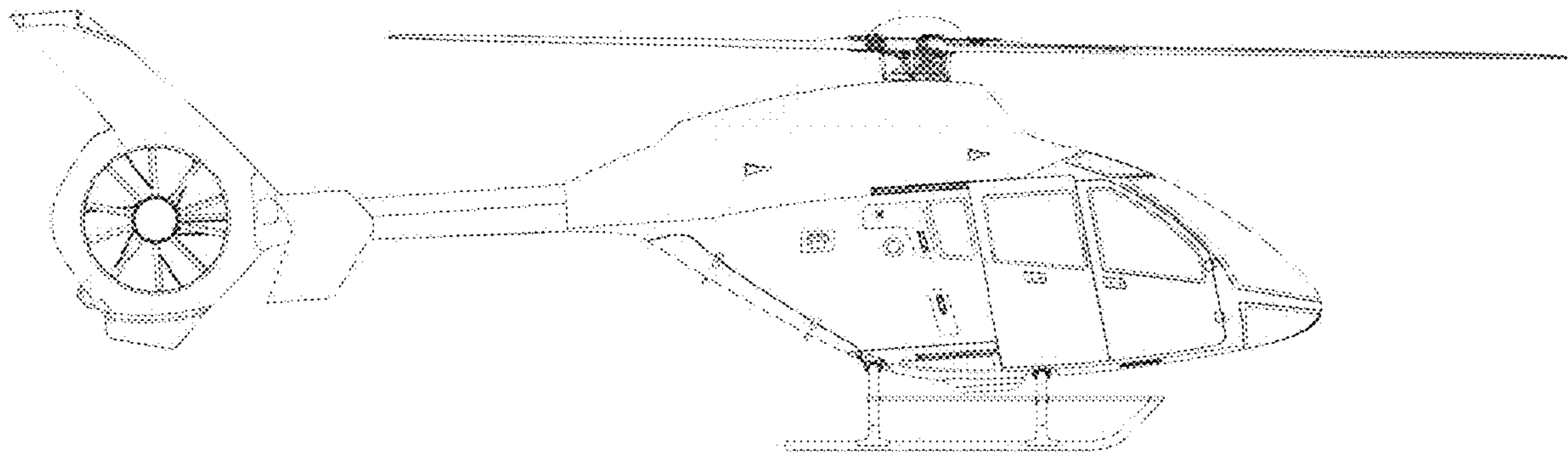
1.4



1.5



1.6



1.7

