



US00D928067S

(12) **United States Design Patent**  
**Taillard**

(10) **Patent No.:** **US D928,067 S**

(45) **Date of Patent:** **\*\* Aug. 17, 2021**

- (54) **WINDSHIELD WIPER**
- (71) Applicants: **Trico Belgium SA**, Aubange (BE);  
**Volkswagen AG**, Wolfsburg (DE)
- (72) Inventor: **Arthur Taillard**, Aubange (BE)
- (73) Assignees: **Trico Belgium SA**, Aubange (BE);  
**Volkswagen AG**, Wolfsburg (DE)
- (\*\*) Term: **15 Years**
- (21) Appl. No.: **29/697,509**
- (22) Filed: **Jul. 9, 2019**
- (51) **LOC (13) Cl.** ..... **12-16**
- (52) **U.S. Cl.**  
USPC ..... **D12/220**; D12/219
- (58) **Field of Classification Search**  
USPC ..... D12/219–220; 15/250.31–250.33,  
15/250.351, 250.38, 250.4, 250.41,  
15/250.201, 250.451–250.454  
CPC ..... B60S 2001/3815; B60S 1/4003; B60S  
1/3801  
See application file for complete search history.

(56) **References Cited**

**U.S. PATENT DOCUMENTS**

- 3,263,261 A \* 8/1966 Schulz ..... B60S 1/32  
15/257.01
- D331,556 S \* 12/1992 Ismert ..... D12/219
- D341,115 S \* 11/1993 Papania ..... D12/219
- D345,537 S \* 3/1994 Bianco ..... D12/220
- 6,070,287 A \* 6/2000 Kornegay ..... B60S 1/38  
15/247
- D430,097 S \* 8/2000 Breesch ..... D12/219
- D445,754 S \* 7/2001 Benoit ..... D12/219
- D512,362 S \* 12/2005 Breesch ..... D12/219
- D538,218 S \* 3/2007 Elwell ..... D12/220
- D597,016 S \* 7/2009 Bousset ..... D12/219
- 7,992,249 B2 \* 8/2011 Stahlhut ..... B60S 1/3436  
15/250.352

- 7,996,952 B2 \* 8/2011 Horstman ..... B60S 1/3431  
15/250.352
- 8,042,219 B2 \* 10/2011 Stahlhut ..... B60S 1/3452  
15/250.352
- 8,051,526 B2 \* 11/2011 Summerville ..... B60S 1/3479  
15/250.351
- 8,453,292 B2 \* 6/2013 Jeon ..... B60S 1/4041  
15/250.32

(Continued)

**FOREIGN PATENT DOCUMENTS**

- EP 1795406 6/2007
- WO 2010/017861 2/2010

**OTHER PUBLICATIONS**

Auto Rear Window Windshield Wiper Arm Replacement for X5, Walmart.com, [online], [site visited Sep. 21, 2020]. <URL: https://www.walmart.com/ip/Auto-Rear-Window-Windshield-Wiper-Arm-Replacement-for-X5/47594929> (Year: 2020).\*

(Continued)

*Primary Examiner* — T Chase Nelson  
*Assistant Examiner* — Jonathan J. Han  
(74) *Attorney, Agent, or Firm* — Miller Canfield

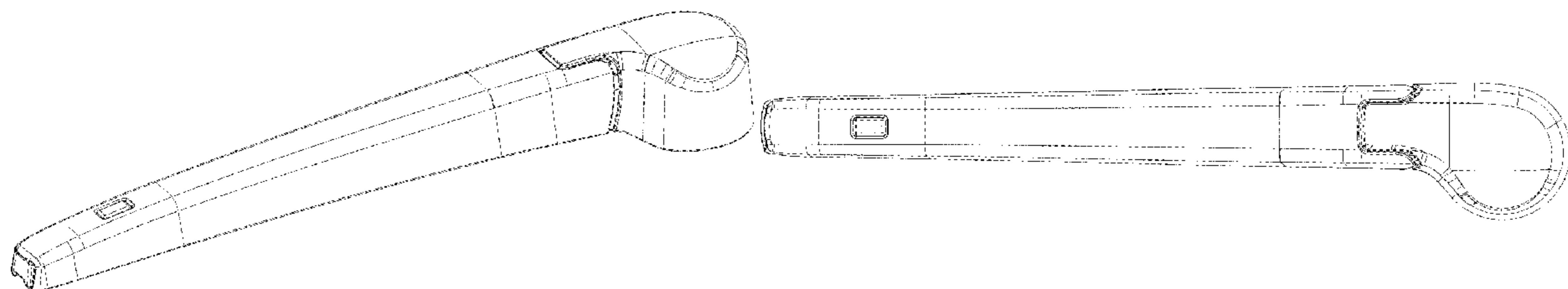
(57) **CLAIM**

The ornamental design for a windshield wiper, as shown and described.

**DESCRIPTION**

FIG. 1 is a top perspective view of the windshield wiper of the present invention;  
FIG. 2 is a top view thereof;  
FIG. 3 is a bottom view thereof;  
FIG. 4 is a bottom perspective view thereof;  
FIG. 5 is end view thereof;  
FIG. 6 is a view of the opposite end thereof;  
FIG. 7 is a left side view thereof; and,  
FIG. 8 is a right side view thereof.

**1 Claim, 8 Drawing Sheets**



(56)

**References Cited**

U.S. PATENT DOCUMENTS

9,896,064 B2 \* 2/2018 Boland ..... B60S 1/345  
 10,093,279 B2 \* 10/2018 Scholl ..... B60S 1/524  
 10,232,825 B2 \* 3/2019 Ouchi ..... B60S 1/3481  
 D858,418 S \* 9/2019 Tomasson ..... D12/219  
 2009/0064441 A1 \* 3/2009 Masuda ..... B60S 1/3429  
 15/250.201  
 2009/0064442 A1 \* 3/2009 Masuda ..... B60S 1/3447  
 15/250.351  
 2014/0026346 A1 \* 1/2014 Scholl ..... B60S 1/524  
 15/250.32  
 2014/0101884 A1 \* 4/2014 Balitzkat ..... B60S 1/381  
 15/250.201  
 2014/0182076 A1 \* 7/2014 Moll ..... B60S 1/345  
 15/250.351  
 2014/0338143 A1 11/2014 Bousset et al.  
 2015/0020339 A1 \* 1/2015 Uchiyama ..... B60S 1/3856  
 15/250.32  
 2016/0144830 A1 \* 5/2016 Coos ..... B60S 1/3484  
 15/250.23

2016/0272156 A1 \* 9/2016 Ouchi ..... B60S 1/3481  
 2017/0050620 A1 \* 2/2017 Friscioni ..... B60S 1/524  
 2017/0197594 A1 \* 7/2017 Deng ..... B60S 1/522  
 2017/0225661 A1 \* 8/2017 Shimoyama ..... B60S 1/40  
 2017/0267216 A1 \* 9/2017 Bayard ..... H05B 1/0236  
 2018/0086313 A1 \* 3/2018 Houssat ..... B60S 1/4009  
 2018/0222447 A1 \* 8/2018 Shimizu ..... B60S 1/3801  
 2019/0009750 A1 \* 1/2019 Kose ..... B60S 1/40  
 2019/0039573 A1 \* 2/2019 Boland ..... B60S 1/3429  
 2019/0054900 A1 \* 2/2019 Taillard ..... B60S 1/3427  
 2019/0118777 A1 \* 4/2019 Poton ..... B60S 1/4048  
 2019/0118779 A1 \* 4/2019 Poton ..... B60S 1/4048  
 2019/0176766 A1 \* 6/2019 Taillard ..... B60S 1/3427

OTHER PUBLICATIONS

DORMAN 42929 Windshield Wiper Arm, Amazon.com, Date First Available: Nov. 6, 2013, [online], [site visited Sep. 21, 2020]. <URL: <https://www.amazon.com/DORMAN-42929-Windshield-Wiper-Arm/dp/B0GHSJSFW>> (Year: 2013).\*

\* cited by examiner

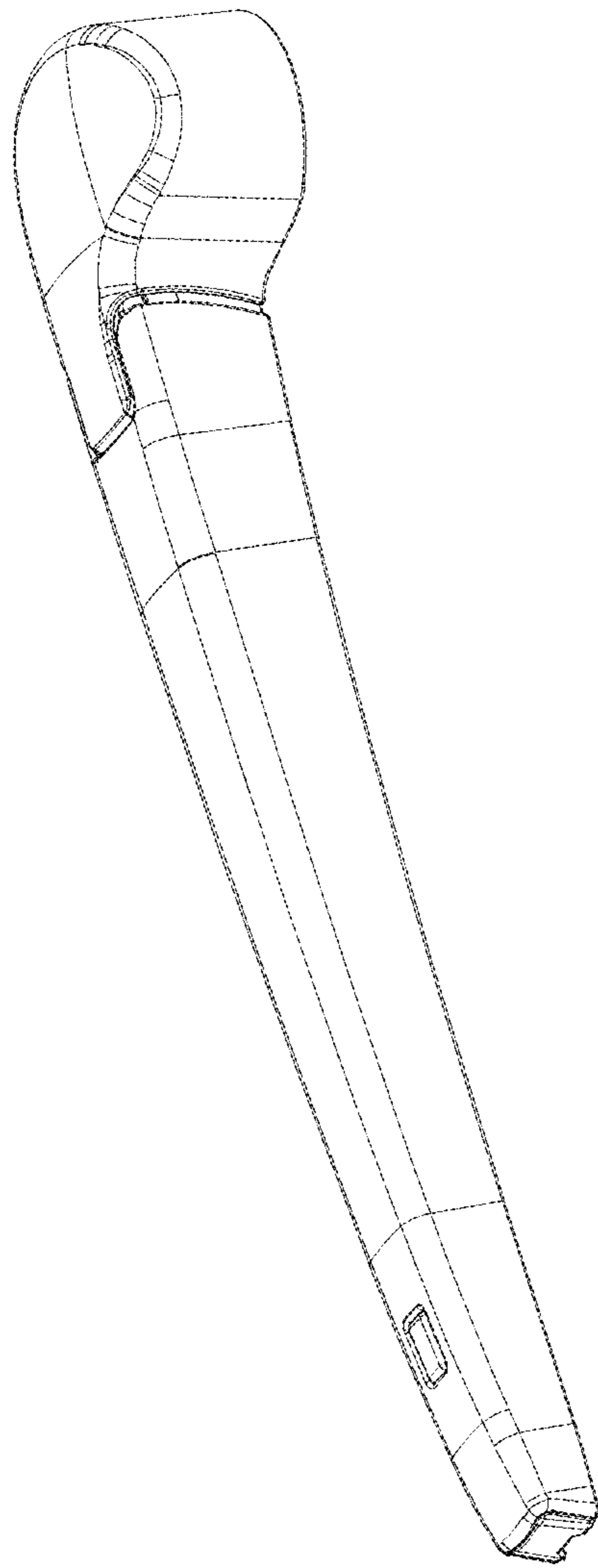


FIG 1

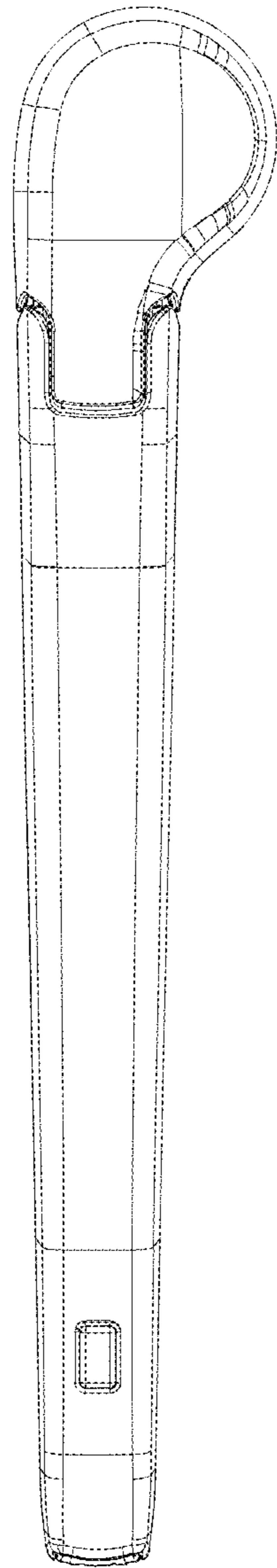


FIG 2

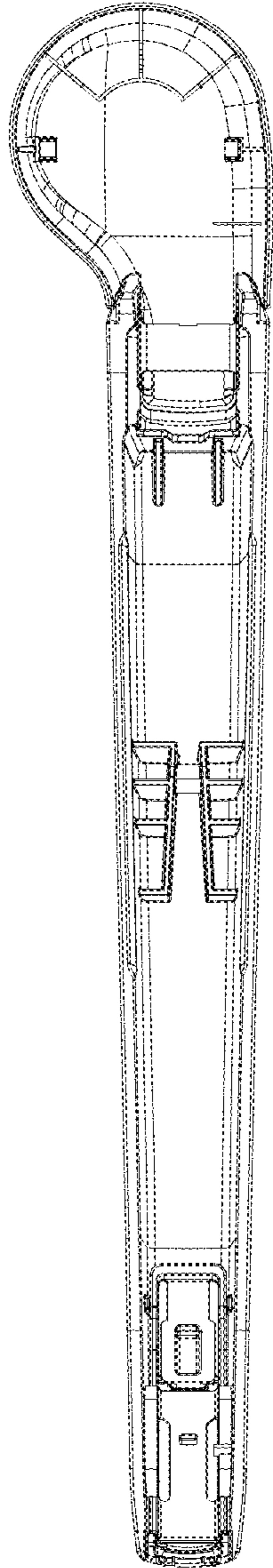


FIG 3

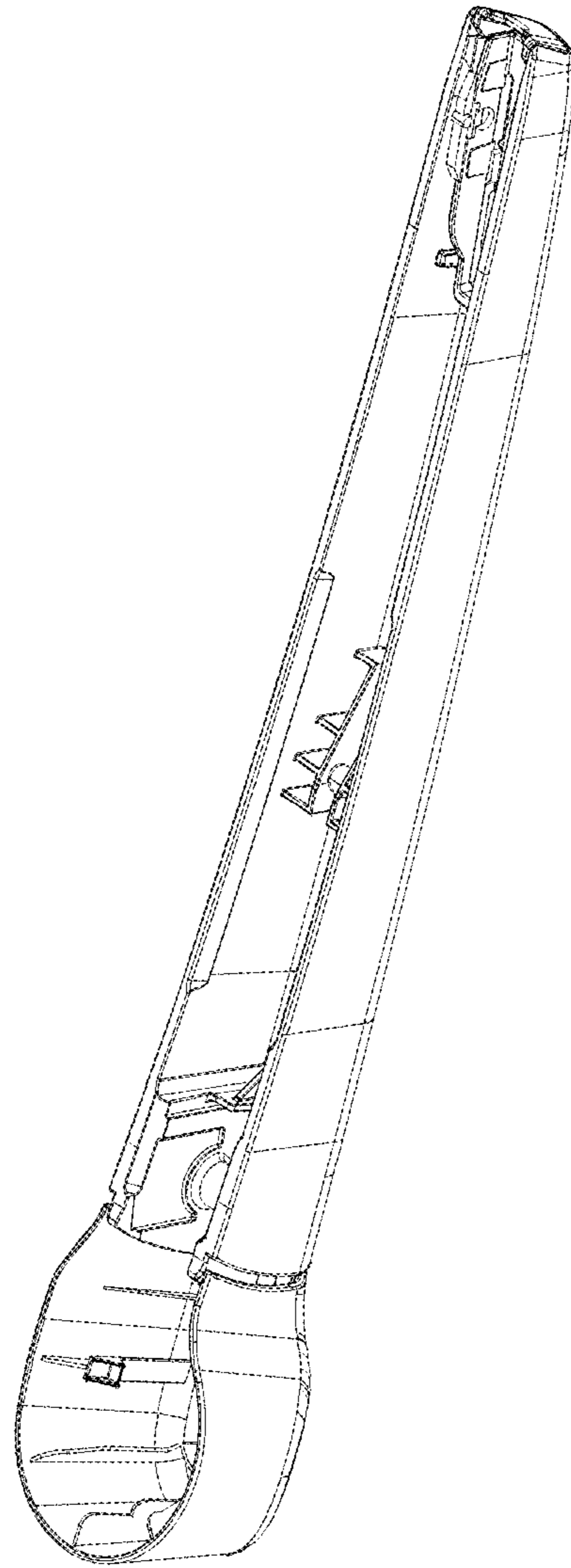


FIG 4



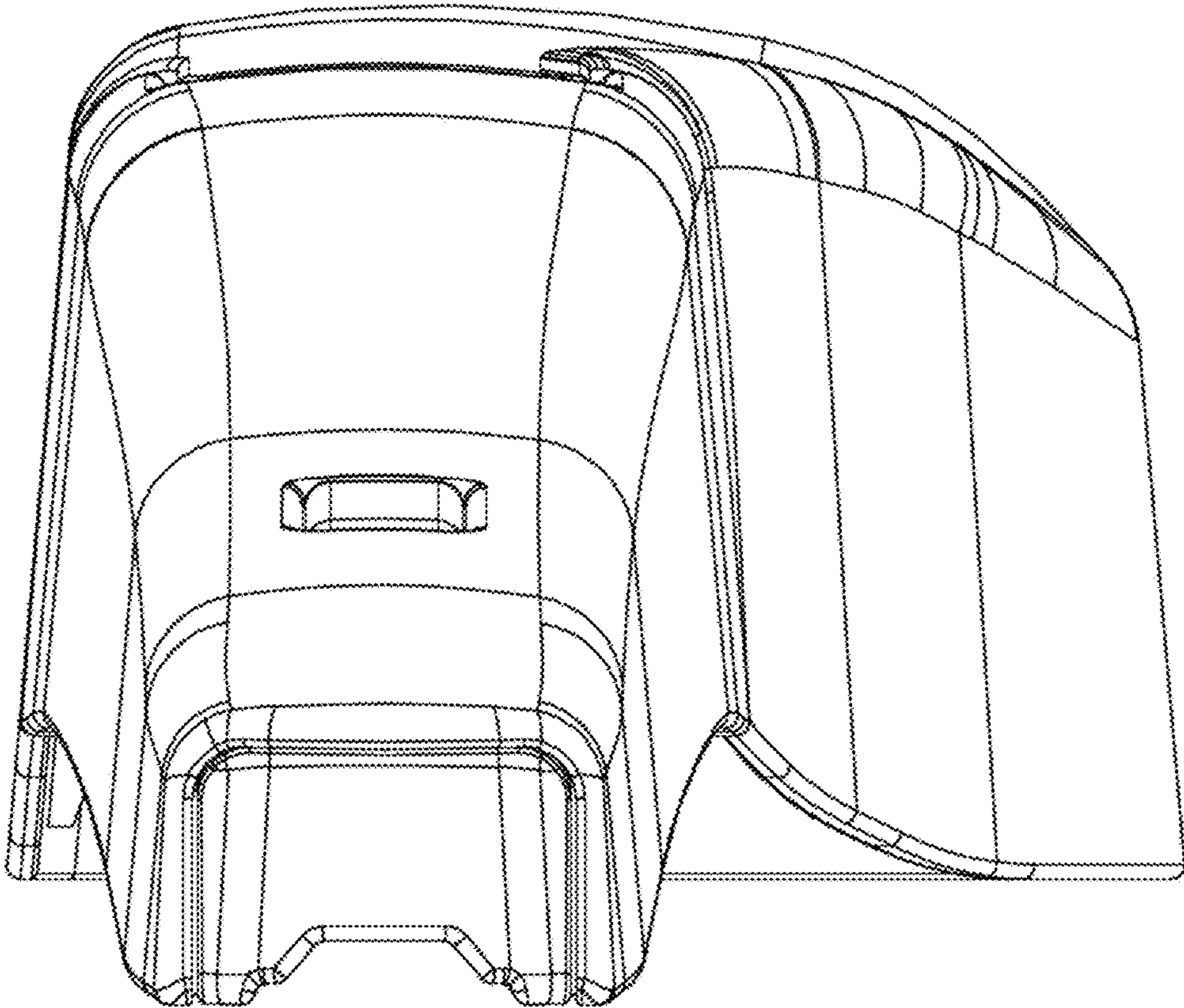


FIG 5

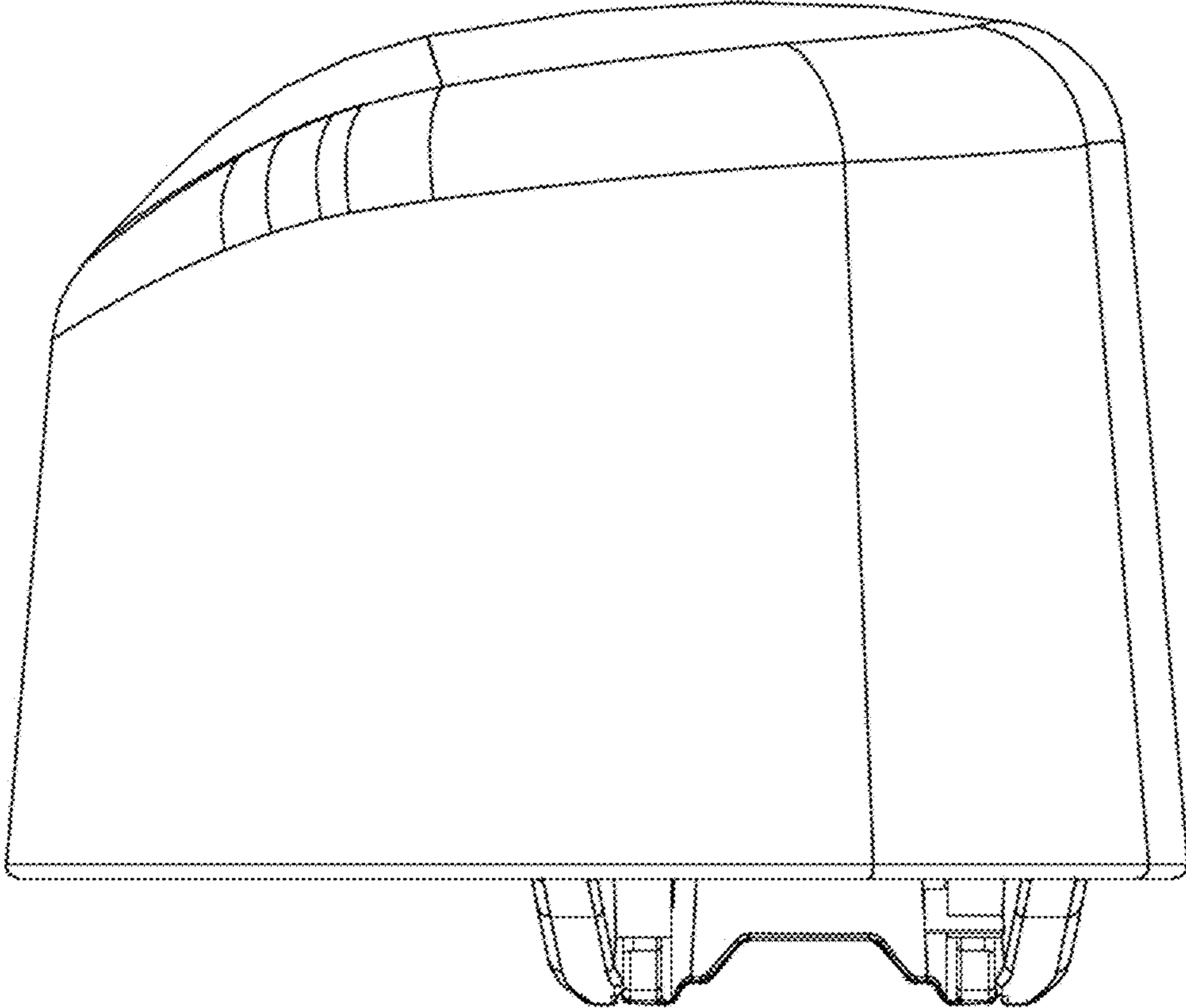


FIG 6



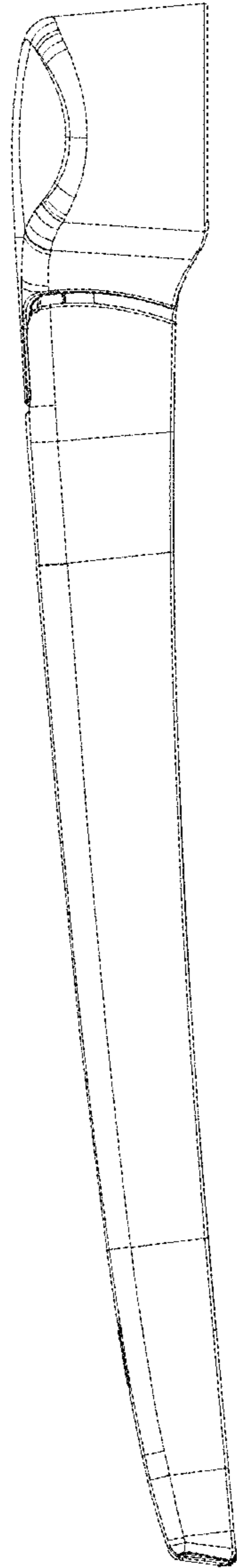


FIG 7

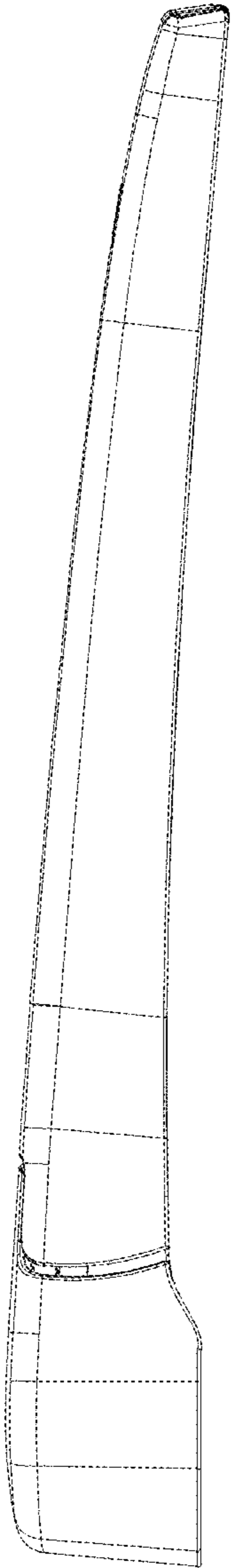


FIG 8