



US00D928066S

(12) **United States Design Patent**
Taillard

(10) **Patent No.:** **US D928,066 S**

(45) **Date of Patent:** **** Aug. 17, 2021**

- (54) **WIPER ASSEMBLY**
- (71) Applicants: **Trico Belgium S.A.**, Aubange (BE);
Volkswagen AG, Wolfsburg (DE)
- (72) Inventor: **Arthur Taillard**, Aubange (BE)
- (73) Assignees: **Trico Belgium SA**, Aubange (BE);
Volkswagen AG, Wolfsburg (DE)

7,996,952	B2 *	8/2011	Horstman	B60S 1/3431 15/250.352
8,042,219	B2 *	10/2011	Stahlhut	B60S 1/3452 15/250.352
8,051,526	B2 *	11/2011	Summerville	B60S 1/3479 15/250.351
8,453,292	B2 *	6/2013	Jeon	B60S 1/4041 15/250.32

(Continued)

- (**) Term: **15 Years**
- (21) Appl. No.: **29/697,507**

FOREIGN PATENT DOCUMENTS

EP	1795406	6/2007
WO	2010/017861	2/2010

- (22) Filed: **Jul. 9, 2019**
- (51) **LOC (13) Cl.** **12-16**
- (52) **U.S. Cl.**
USPC **D12/220**; D12/219
- (58) **Field of Classification Search**
USPC D12/219–220; 15/250.31–250.33,
15/250.351, 250.38, 250.4, 250.41,
15/250.201, 250.451–250.454
CPC B60S 2001/3815; B60S 1/4003; B60S
1/3801
See application file for complete search history.

OTHER PUBLICATIONS

Auto Rear Window Windshield Wiper Arm Replacement for X5, Walmart.com, [online], [site visited Sep. 21, 2020], <URL: https://www.walmart.com/ip/Auto-Rear-Window-Windshield-Wiper-Arm-Replacement-for-X5/47594929> (Year: 2020).*

(Continued)

Primary Examiner — T Chase Nelson
Assistant Examiner — Jonathan J. Han
(74) *Attorney, Agent, or Firm* — Miller Canfield

(56) **References Cited**

U.S. PATENT DOCUMENTS

3,263,261	A *	8/1966	Schulz	B60S 1/32 15/257.01
D331,556	S *	12/1992	Ismert	D12/219
D341,115	S *	11/1993	Papania	D12/219
D345,537	S *	3/1994	Bianco	D12/220
6,070,287	A *	6/2000	Kornegay	B60S 1/38 15/247
D430,097	S *	8/2000	Breesch	D12/219
D445,754	S *	7/2001	Benoit	D12/219
D512,362	S *	12/2005	Breesch	D12/219
D538,218	S *	3/2007	Elwell	D12/220
D597,016	S *	7/2009	Bousset	D12/219
7,992,249	B2 *	8/2011	Stahlhut	B60S 1/3436 15/250.352

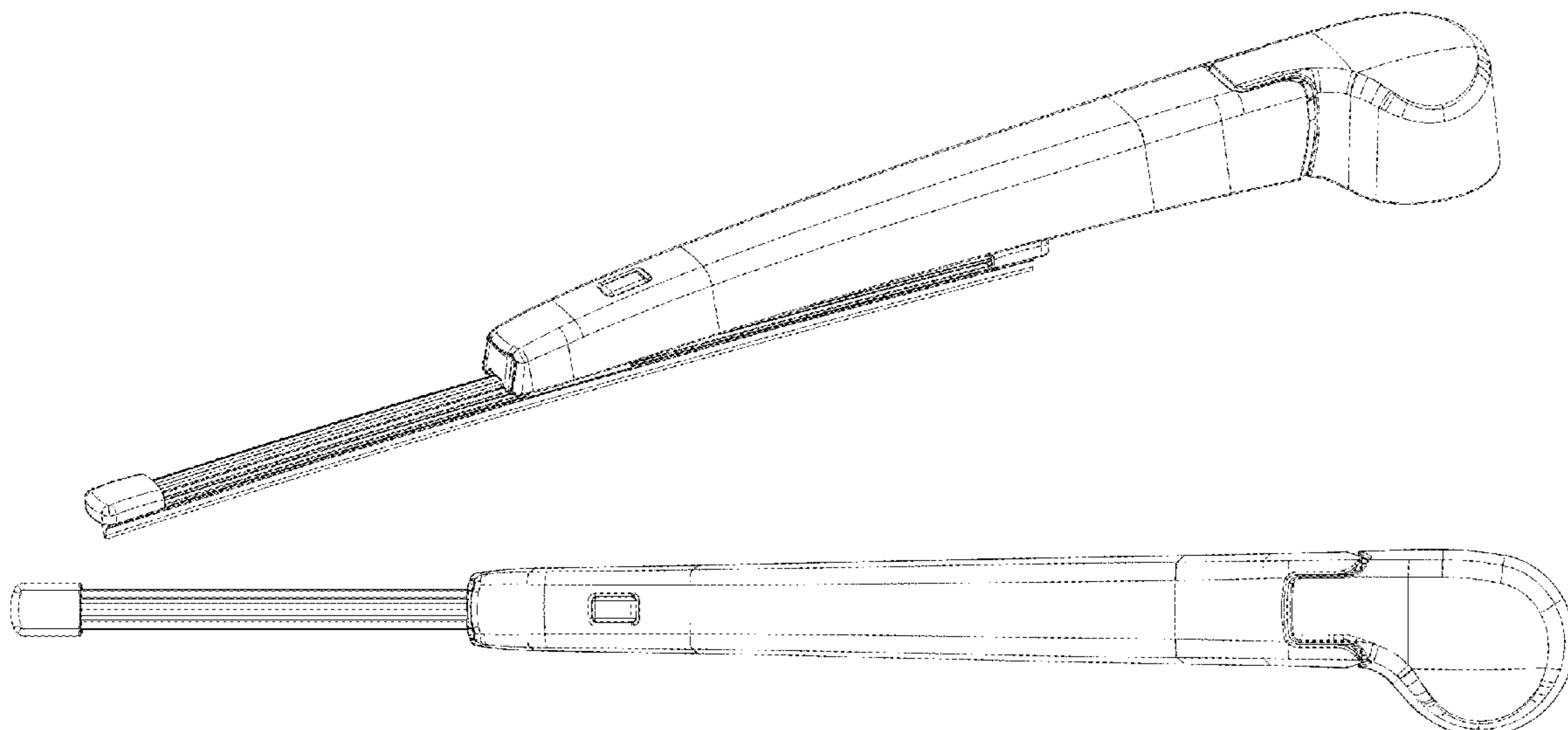
(57) **CLAIM**

The ornamental design for a wiper assembly, as shown and described.

DESCRIPTION

FIG. 1 is a top perspective view of the wiper assembly of the present invention;
FIG. 2 is a top view thereof;
FIG. 3 is a bottom view thereof;
FIG. 4 is a bottom perspective view thereof;
FIG. 5 is end view thereof;
FIG. 6 is a view of the opposite end thereof;
FIG. 7 is a left side view thereof; and,
FIG. 8 is a right side view thereof.

1 Claim, 8 Drawing Sheets



(56)

References Cited

U.S. PATENT DOCUMENTS

9,896,064 B2 * 2/2018 Boland B60S 1/345
 10,093,279 B2 * 10/2018 Scholl B60S 1/524
 10,232,825 B2 * 3/2019 Ouchi B60S 1/3481
 D858,418 S * 9/2019 Tomasson D12/219
 2009/0064441 A1 * 3/2009 Masuda B60S 1/3429
 15/250.201
 2009/0064442 A1 * 3/2009 Masuda B60S 1/3447
 15/250.351
 2014/0026346 A1 * 1/2014 Scholl B60S 1/524
 15/250.32
 2014/0101884 A1 * 4/2014 Balitzkat B60S 1/381
 15/250.201
 2014/0182076 A1 * 7/2014 Moll B60S 1/345
 15/250.351
 2014/0338143 A1 11/2014 Bousset et al.
 2015/0020339 A1 * 1/2015 Uchiyama B60S 1/3856
 15/250.32
 2016/0144830 A1 * 5/2016 Coos B60S 1/3484
 15/250.23

2016/0272156 A1 * 9/2016 Ouchi B60S 1/3481
 2017/0050620 A1 * 2/2017 Friscioni B60S 1/524
 2017/0197594 A1 * 7/2017 Deng B60S 1/522
 2017/0225661 A1 * 8/2017 Shimoyama B60S 1/40
 2017/0267216 A1 * 9/2017 Bayard H05B 1/0236
 2018/0086313 A1 * 3/2018 Houssat B60S 1/4009
 2018/0222447 A1 * 8/2018 Shimizu B60S 1/3801
 2019/0009750 A1 * 1/2019 Kose B60S 1/40
 2019/0039573 A1 * 2/2019 Boland B60S 1/3429
 2019/0054900 A1 * 2/2019 Taillard B60S 1/3427
 2019/0118777 A1 * 4/2019 Poton B60S 1/4048
 2019/0118779 A1 * 4/2019 Poton B60S 1/4048
 2019/0176766 A1 * 6/2019 Taillard B60S 1/3427

OTHER PUBLICATIONS

DORMAN 42929 Windshield Wiper Arm, Amazon.com, Date First Available: Nov. 6, 2013, [online], [site visited Sep. 21, 2020], < URL: <https://www.amazon.com/DORMAN-42929-Windshield-Wiper-Arm/dp/BOOGHSJSFW>> (Year: 2013).*

* cited by examiner

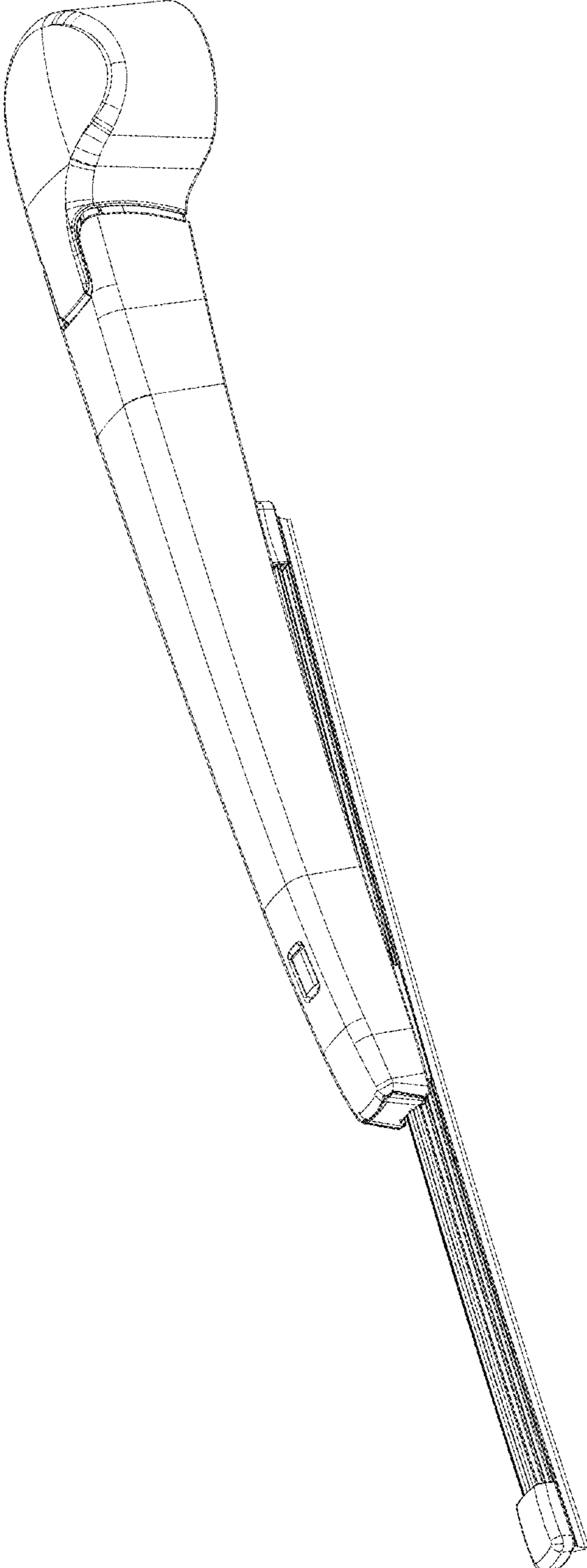


FIG 1

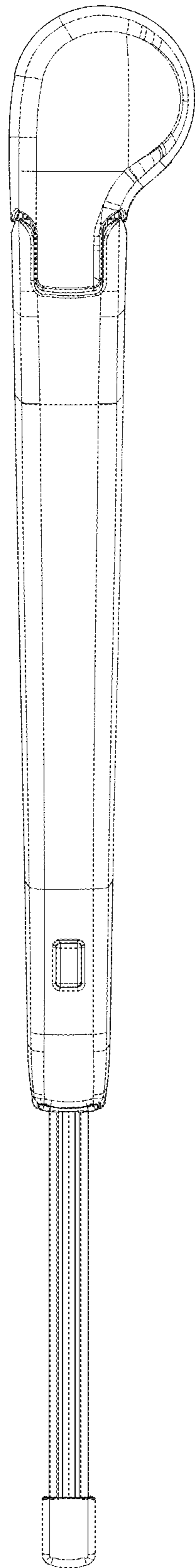


FIG 2

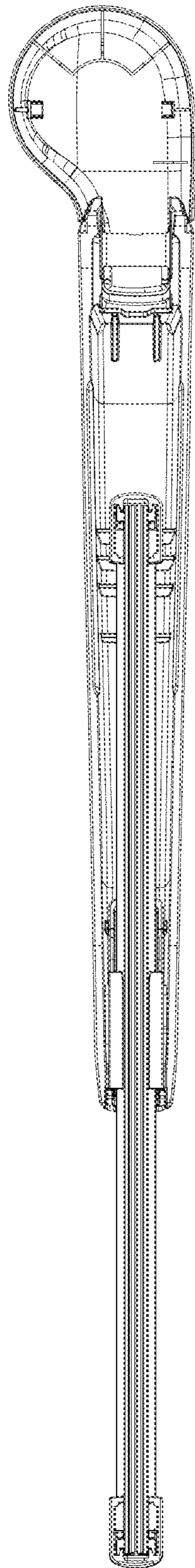


FIG 3

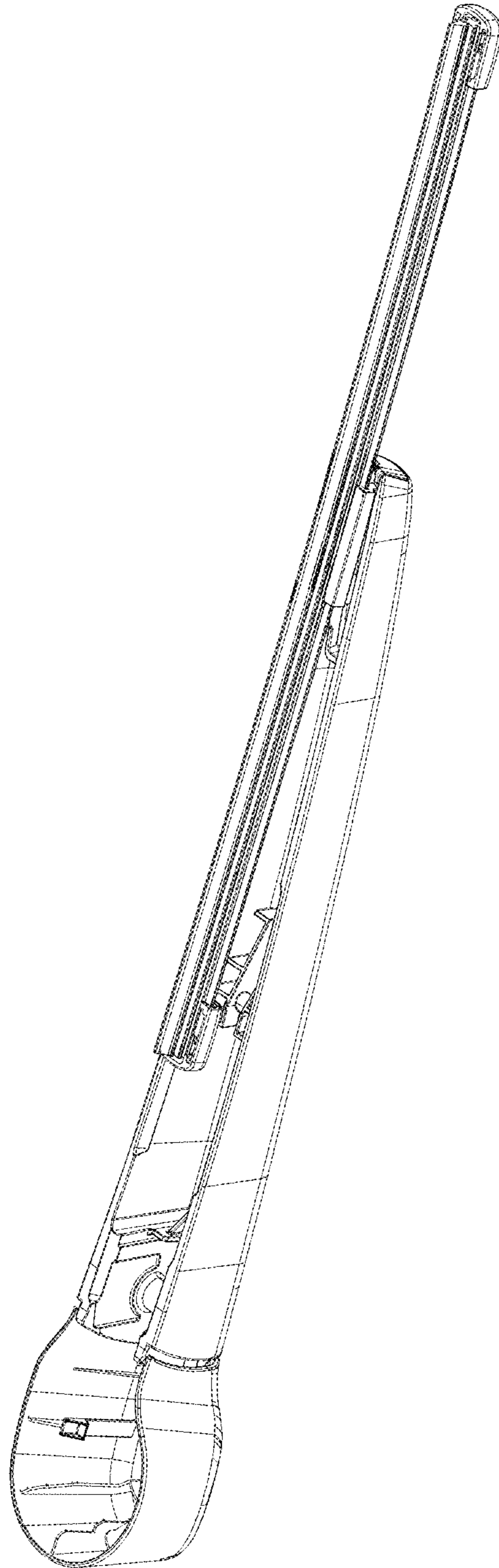


FIG 4

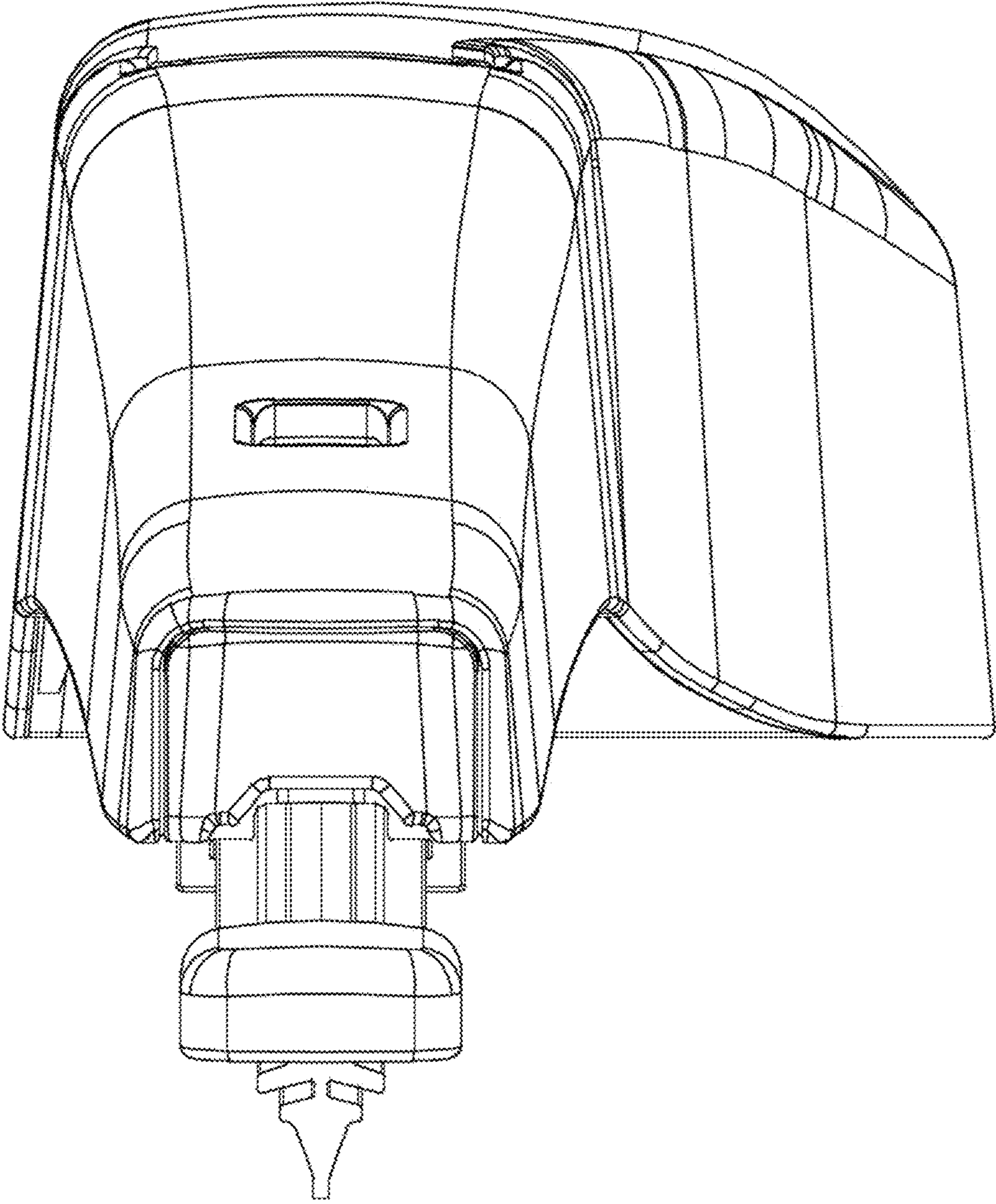


FIG 5

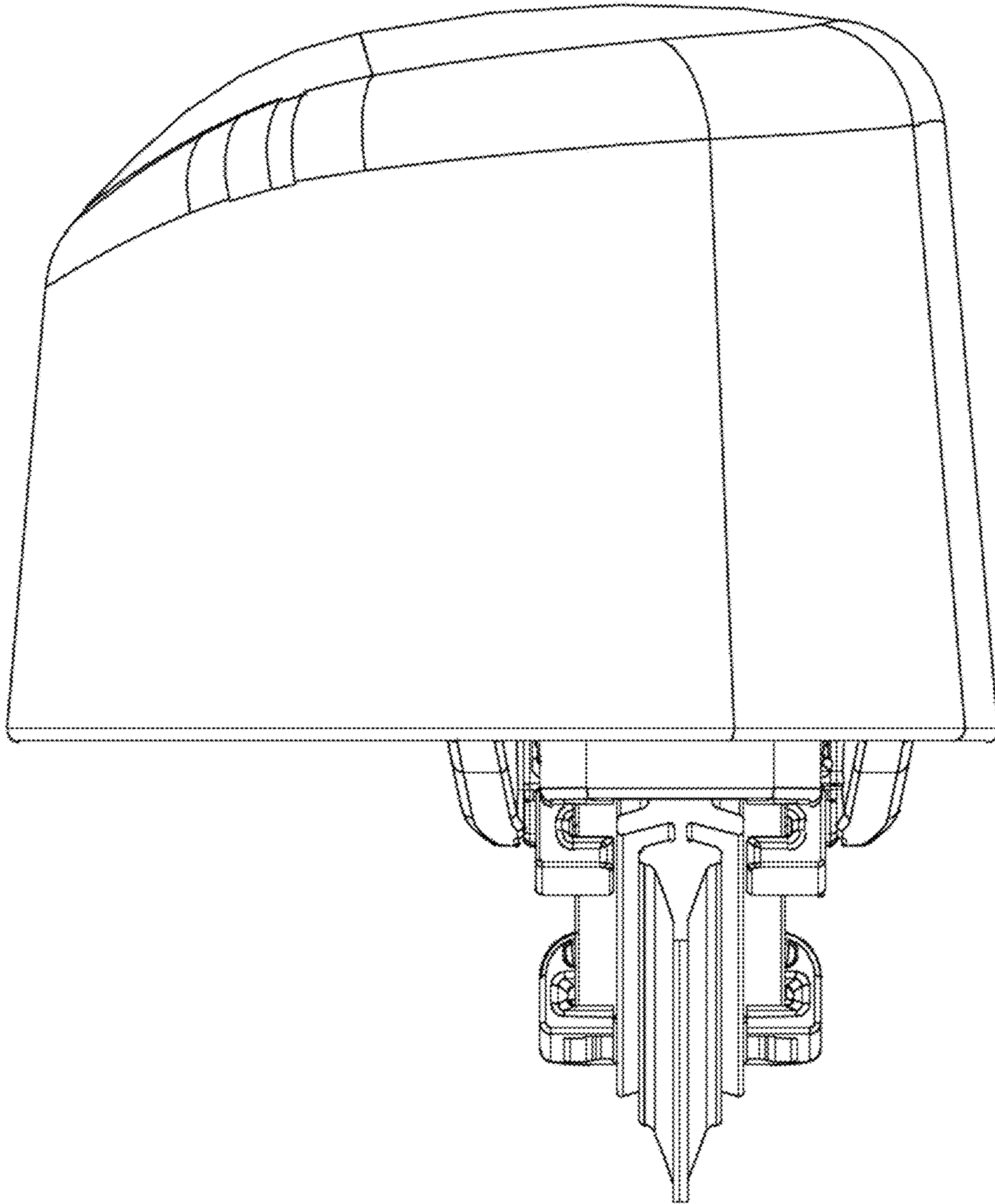


FIG 6

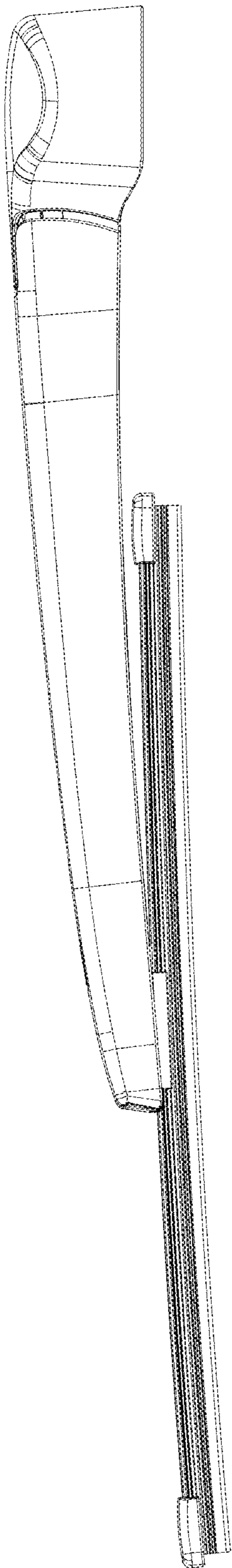


FIG 7

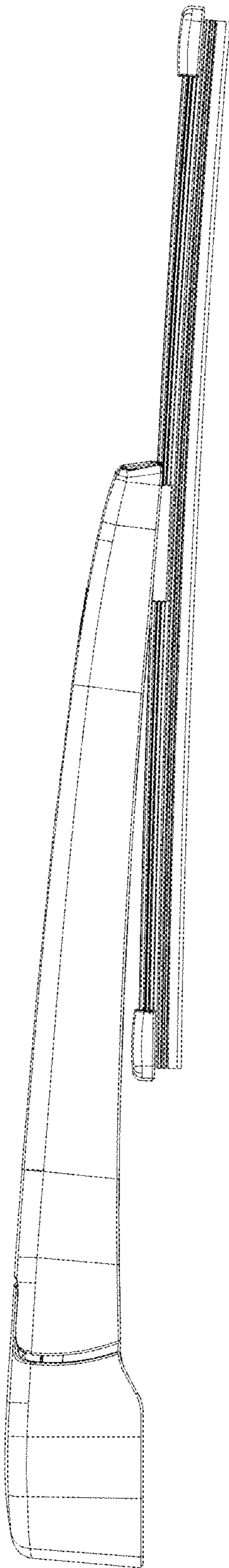


FIG 8