



US00D928060S

(12) **United States Design Patent**  
**Han**

(10) **Patent No.:** **US D928,060 S**

(45) **Date of Patent:** **\*\* Aug. 17, 2021**

(54) **AUTOMOTIVE WHEEL**

(71) Applicant: **Donnie Han**, Corona, CA (US)

(72) Inventor: **Donnie Han**, Corona, CA (US)

(\*\*) Term: **15 Years**

(21) Appl. No.: **29/743,938**

(22) Filed: **Jul. 24, 2020**

(51) **LOC (13) Cl.** ..... **12-16**

(52) **U.S. Cl.**

USPC ..... **D12/209**

(58) **Field of Classification Search**

USPC ..... D12/204–213; D21/563

CPC .... B60B 7/00; B60B 7/02; B60B 7/04; B60B

7/01; B60B 7/06; B60B 3/02; B60B 3/04;

B60B 3/06; B60B 3/10; B60B 1/00;

B60B 1/08; B60B 1/10; B60B 1/12

See application file for complete search history.

(56) **References Cited**

**U.S. PATENT DOCUMENTS**

|              |         |                       |         |
|--------------|---------|-----------------------|---------|
| D438,163 S * | 2/2001  | Langerer .....        | D12/211 |
| D638,339 S * | 5/2011  | Tirado .....          | D12/209 |
| D660,769 S * | 5/2012  | Pollmann .....        | D12/211 |
| D684,517 S * | 6/2013  | Scheinutte .....      | D12/211 |
| D713,773 S * | 9/2014  | Scheinutte .....      | D12/209 |
| D723,990 S * | 3/2015  | Muntada Roura .....   | D12/209 |
| D764,370 S * | 8/2016  | Chung .....           | D12/209 |
| D774,436 S * | 12/2016 | Valencia Pollex ..... | D12/209 |

|              |         |                       |         |
|--------------|---------|-----------------------|---------|
| D789,268 S * | 6/2017  | Gallert .....         | D12/209 |
| D801,906 S * | 11/2017 | Burki .....           | D12/211 |
| D835,560 S * | 12/2018 | Hilton .....          | D12/209 |
| D836,527 S * | 12/2018 | Groth .....           | D12/211 |
| D843,909 S * | 3/2019  | Gregory .....         | D12/209 |
| D847,067 S * | 4/2019  | Groth .....           | D12/209 |
| D847,068 S * | 4/2019  | Juergens .....        | D12/209 |
| D853,302 S * | 7/2019  | Khachatryan .....     | D12/209 |
| D853,305 S * | 7/2019  | Valencia Pollex ..... | D12/209 |
| D863,179 S * | 10/2019 | Gallert .....         | D12/209 |
| D873,756 S * | 1/2020  | Melville-Brown .....  | D12/209 |
| D889,364 S * | 7/2020  | Han .....             | D12/209 |
| D889,373 S * | 7/2020  | Hodges .....          | D12/211 |
| D892,017 S * | 8/2020  | Han .....             | D12/209 |
| D895,520 S * | 9/2020  | Badstuebner .....     | D12/211 |
| D909,271 S * | 2/2021  | Hubner .....          | D12/209 |
| D915,983 S * | 4/2021  | Chu .....             | D12/209 |

\* cited by examiner

*Primary Examiner* — Stacia A Cadmus

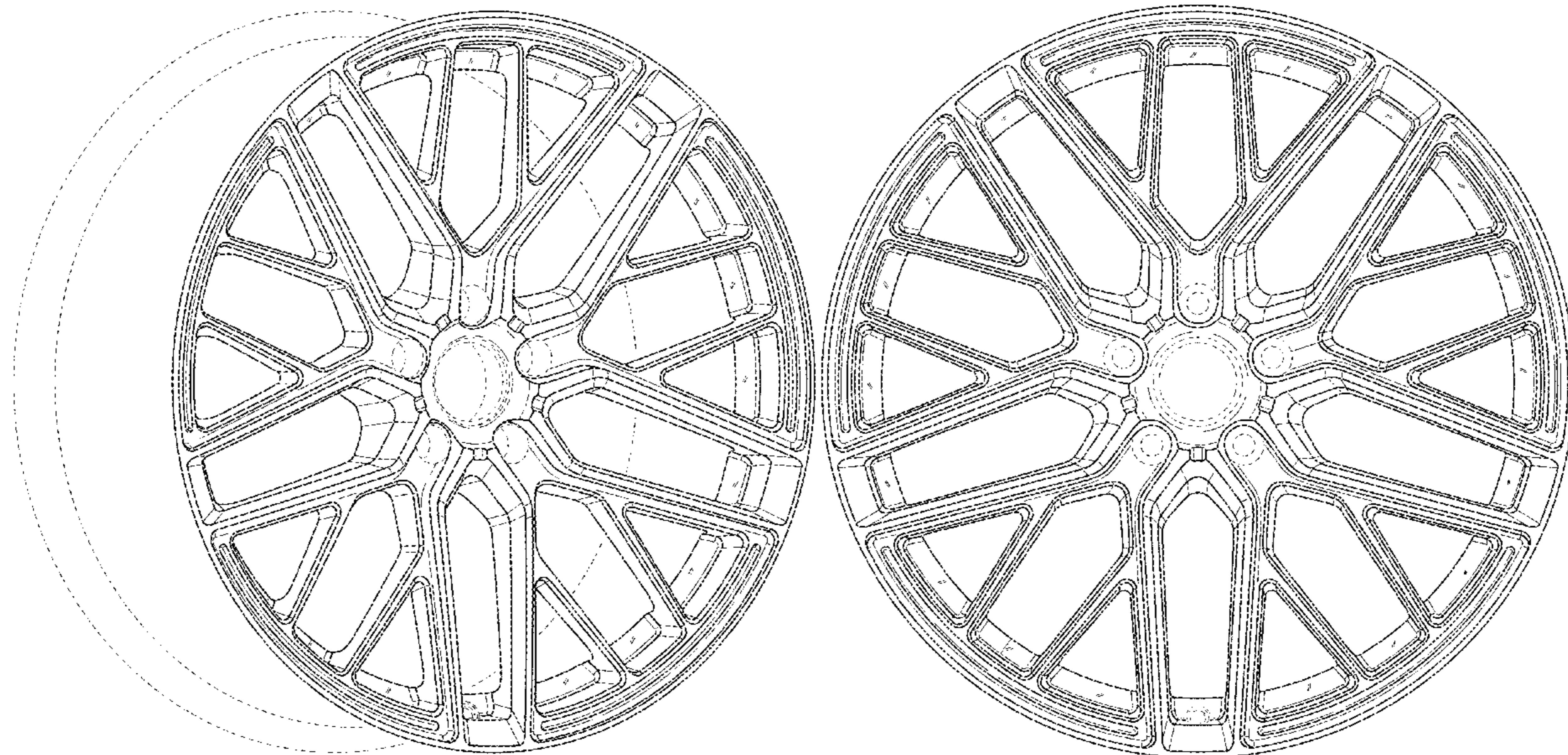
(57) **CLAIM**

The ornamental design for an automotive wheel, as shown and described.

**DESCRIPTION**

FIG. 1 is a perspective view of an automotive wheel, showing my new design; and, FIG. 2 is a front view thereof. In the drawings the broken lines depict portions of the wheel that form no part of the claimed design.

**1 Claim, 2 Drawing Sheets**



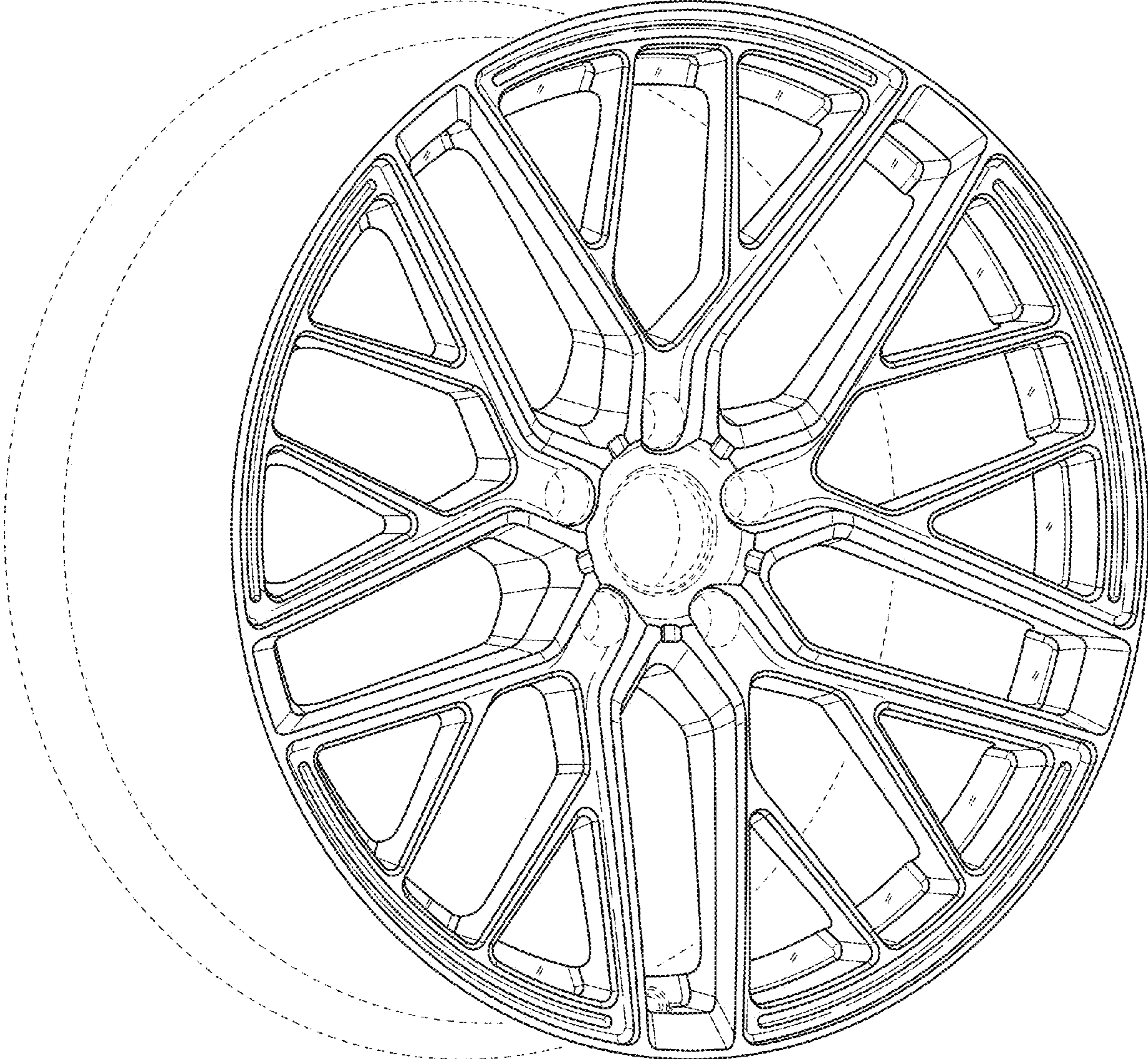


FIGURE 1

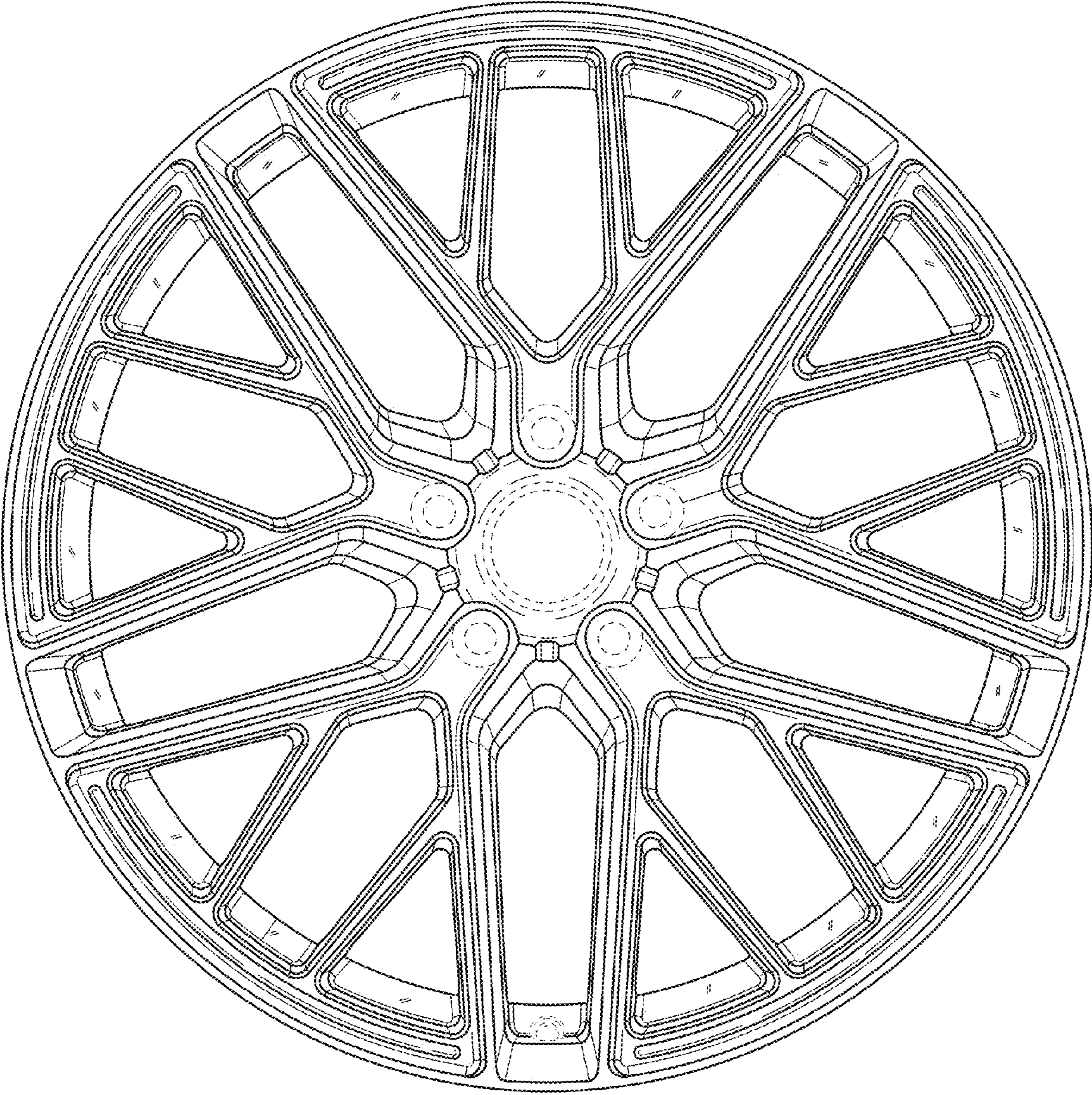


FIGURE 2