



US00D928059S

(12) **United States Design Patent**
Han

(10) **Patent No.:** **US D928,059 S**

(45) **Date of Patent:** **** Aug. 17, 2021**

(54) **AUTOMOTIVE WHEEL**

(71) Applicant: **Donnie Han**, Corona, CA (US)

(72) Inventor: **Donnie Han**, Corona, CA (US)

(**) Term: **15 Years**

(21) Appl. No.: **29/743,937**

(22) Filed: **Jul. 24, 2020**

(51) **LOC (13) Cl.** **12-16**

(52) **U.S. Cl.**
USPC **D12/209**

(58) **Field of Classification Search**

USPC D12/204–213; D21/563

CPC B60B 7/00; B60B 7/02; B60B 7/04; B60B

7/01; B60B 7/06; B60B 3/02; B60B 3/04;

B60B 3/10; B60B 1/00; B60B 1/08;

B60B 1/10; B60B 1/12

See application file for complete search history.

(56) **References Cited**

U.S. PATENT DOCUMENTS

D363,457 S * 10/1995 Coddington D12/209

D384,629 S * 10/1997 Nagashima D12/209

D387,724 S * 12/1997 Chung D12/209

D522,439 S * 6/2006 Laengerer D12/211

D659,063 S * 5/2012 Johnson D12/209

D727,233 S * 4/2015 Kong D12/209

D758,944 S * 6/2016 Rolfs D12/209

D783,495 S * 4/2017 Hale, Jr. D12/209

D788,009 S * 5/2017 Zhao D12/211

D795,150 S * 8/2017 Tran D12/209

D809,447 S * 2/2018 Wolff D12/211

D830,275 S * 10/2018 Aslam D12/211

D838,646 S * 1/2019 Harriton D12/209

D858,413 S * 9/2019 Woodhouse D12/211

D897,257 S * 9/2020 Tran D12/209

D904,271 S * 12/2020 Henderson D12/209

D904,962 S * 12/2020 Lee D12/209

D906,924 S * 1/2021 Liu D12/209

D910,524 S * 2/2021 Han D12/209

D913,897 S * 3/2021 VanRyn D12/209

D915,992 S * 4/2021 VanRyn D12/211

* cited by examiner

Primary Examiner — Stacia A Cadmus

(57) **CLAIM**

The ornamental design for an automotive wheel, as shown and described.

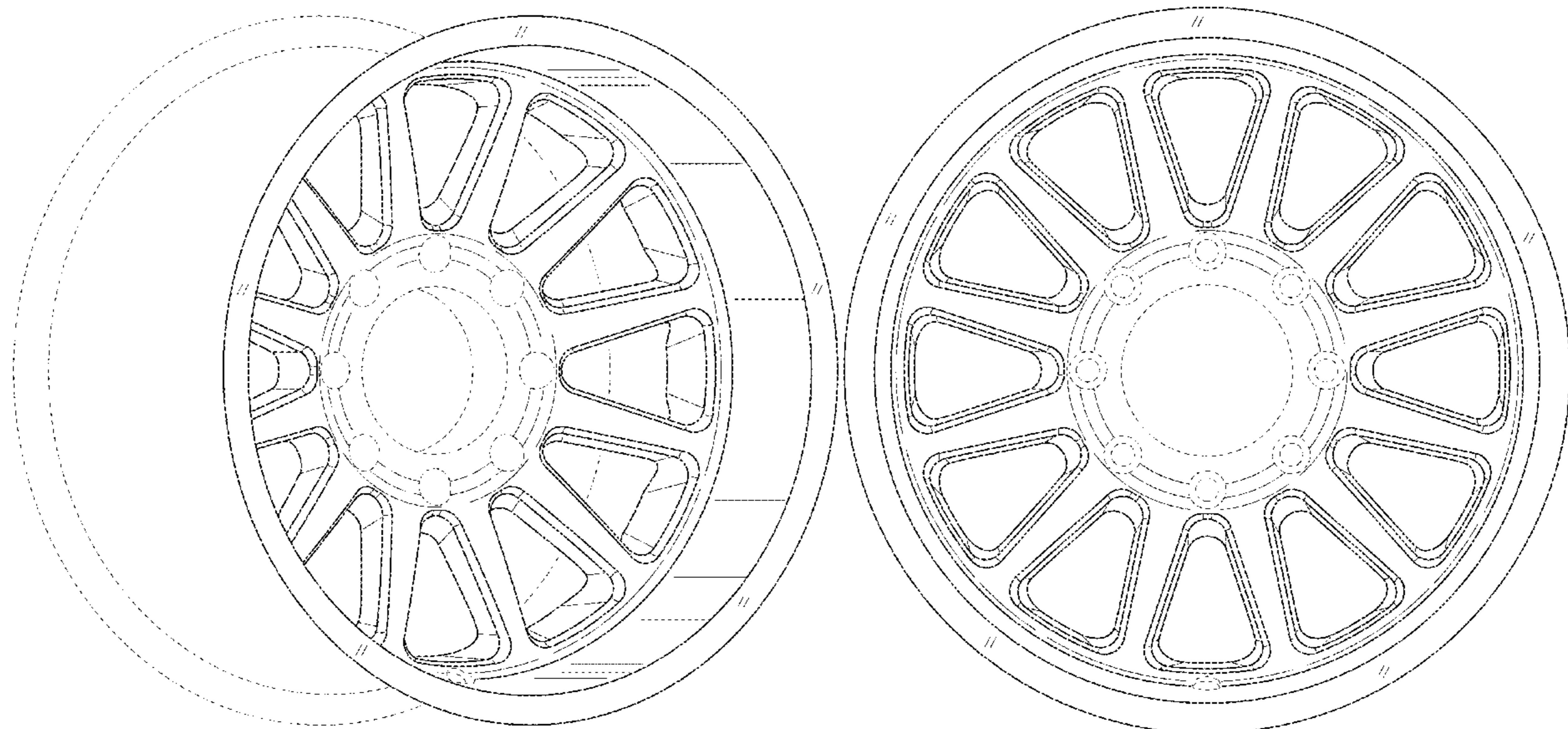
DESCRIPTION

FIG. 1 is a perspective view of an automotive wheel, showing my new design; and,

FIG. 2 is a front view thereof.

In the drawings the broken lines depict portions of the wheel that form no part of the claimed design.

1 Claim, 2 Drawing Sheets



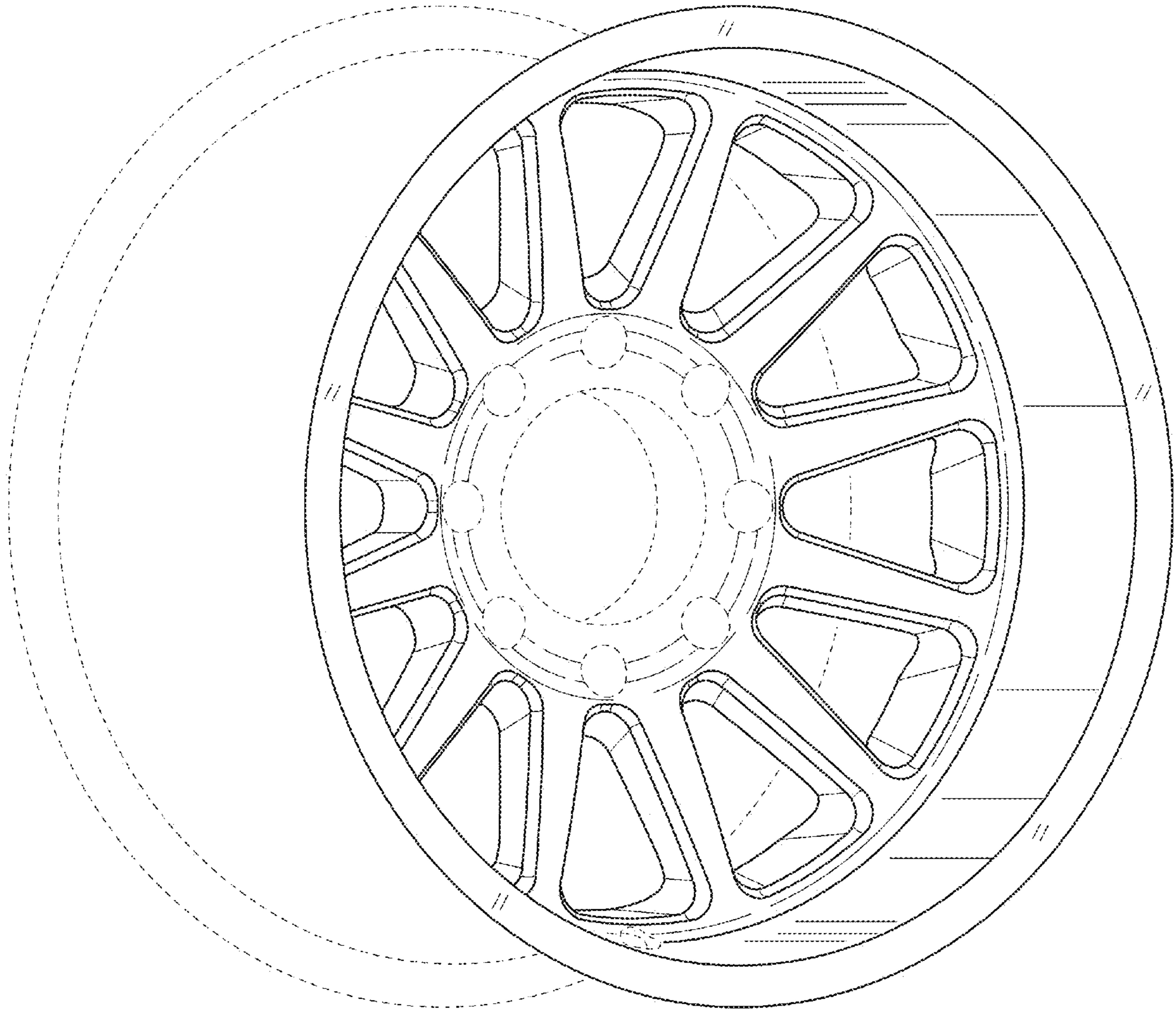


FIGURE 1

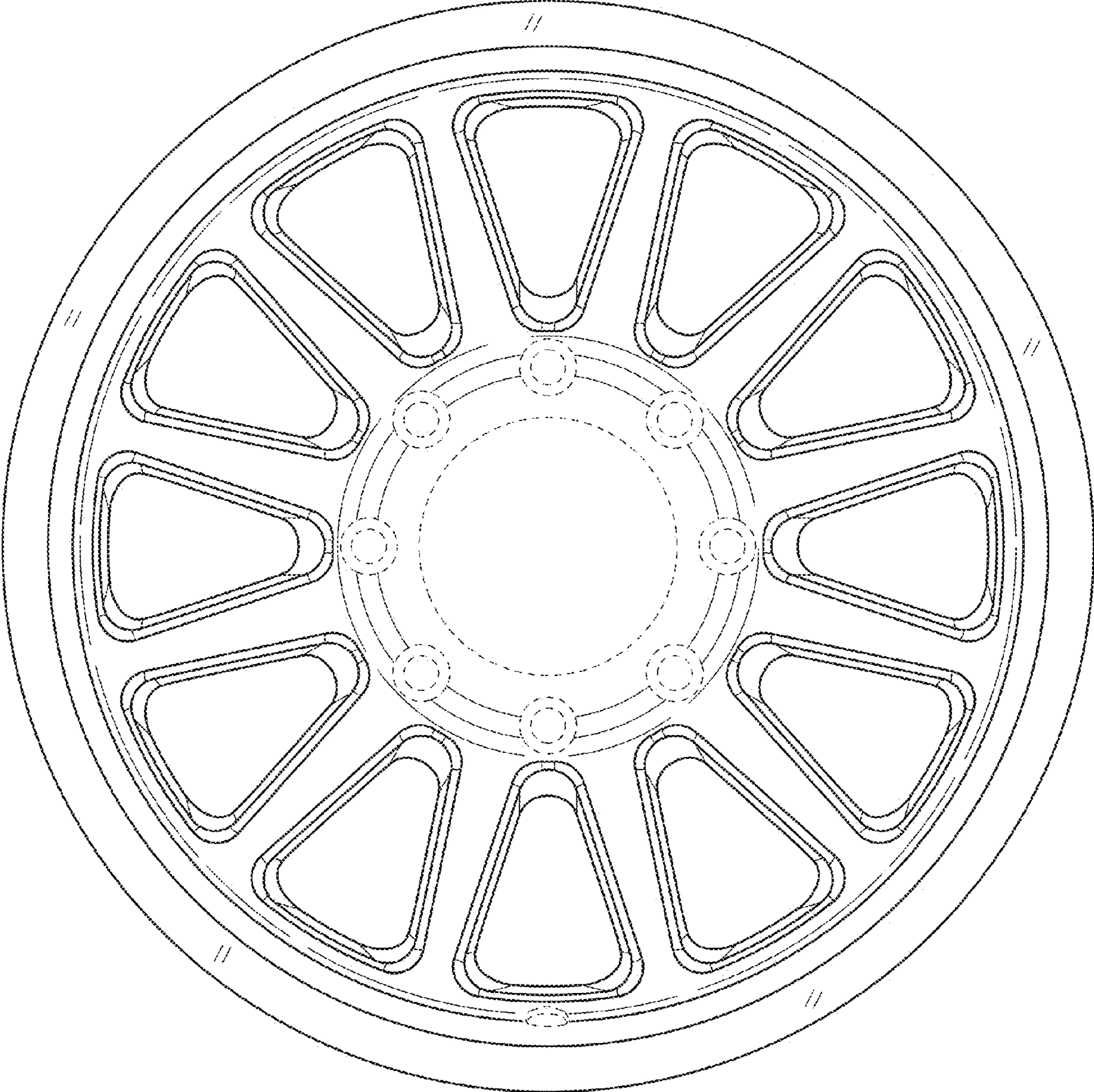


FIGURE 2