



US00D928058S

(12) **United States Design Patent**
Han

(10) **Patent No.:** **US D928,058 S**

(45) **Date of Patent:** **** Aug. 17, 2021**

(54) **AUTOMOTIVE WHEEL**

(71) Applicant: **Donnie Han**, Corona, CA (US)

(72) Inventor: **Donnie Han**, Corona, CA (US)

(**) Term: **15 Years**

(21) Appl. No.: **29/741,924**

(22) Filed: **Jul. 16, 2020**

(51) **LOC (13) Cl.** **12-16**

(52) **U.S. Cl.**
USPC **D12/209**

(58) **Field of Classification Search**
USPC D12/204–213; D21/563
CPC B60B 7/00; B60B 7/02; B60B 7/04; B60B
7/01; B60B 7/06; B60B 3/02; B60B 3/04;
B60B 3/06; B60B 3/10; B60B 1/00;
B60B 1/08; B60B 1/10; B60B 1/12
See application file for complete search history.

(56) **References Cited**

U.S. PATENT DOCUMENTS

D751,481 S *	3/2016	Chung	D12/209
D751,966 S *	3/2016	Zhao	D12/211
D765,574 S *	9/2016	Hale, Jr.	D12/211
D766,805 S *	9/2016	Chung	D12/211
D780,662 S *	3/2017	Zhao	D12/211
D826,827 S *	8/2018	Tran	D12/209

D828,271 S *	9/2018	Han	D12/211
D830,278 S *	10/2018	Aslam	D12/211
D834,483 S *	11/2018	Johnson	D12/209
D842,185 S *	3/2019	Chung	D12/209
D847,718 S *	5/2019	Han	D12/209
D857,595 S *	8/2019	Luo	D12/211
D860,908 S *	9/2019	Han	D12/209
D865,615 S *	11/2019	Tran	D12/209
D875,018 S *	2/2020	Han	D12/211
D883,893 S *	5/2020	Johnson	D12/211
D889,365 S *	7/2020	Han	D12/209
D893,378 S *	8/2020	DiGuglielmo	D12/209
D901,353 S *	11/2020	Tran	D12/209
D908,577 S *	1/2021	Tran	D12/209
D909,272 S *	2/2021	Chung	D12/209
D912,591 S *	3/2021	Tran	D12/209
D920,879 S *	6/2021	Hale, Jr.	D12/209

* cited by examiner

Primary Examiner — Stacia A Cadmus

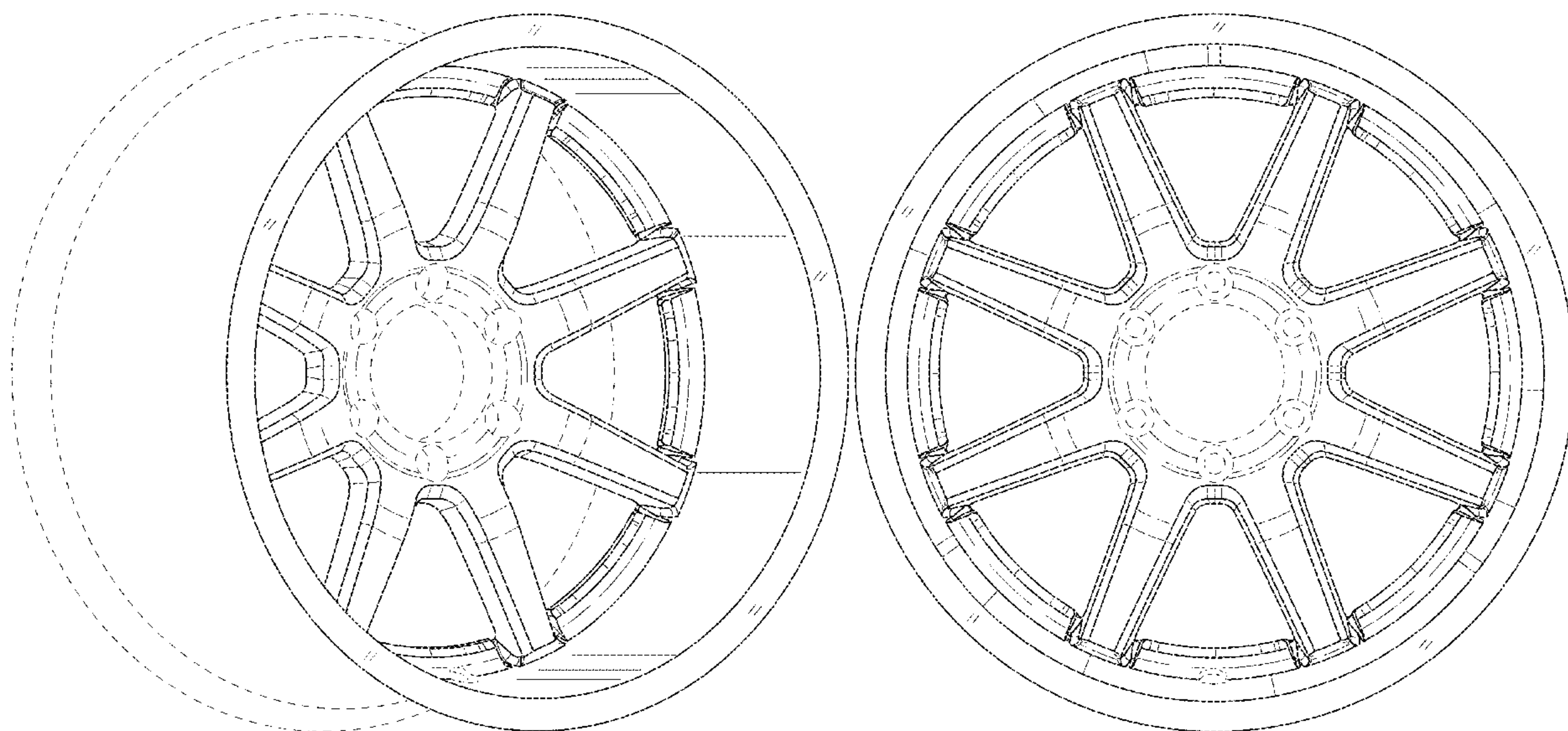
(57) **CLAIM**

The ornamental design for an automotive wheel, as shown and described.

DESCRIPTION

FIG. 1 is a perspective view of an automotive wheel, showing my new design; and, FIG. 2 is a front view thereof. In the drawings the broken lines depict portions of the wheel that form no part of the claimed design.

1 Claim, 2 Drawing Sheets



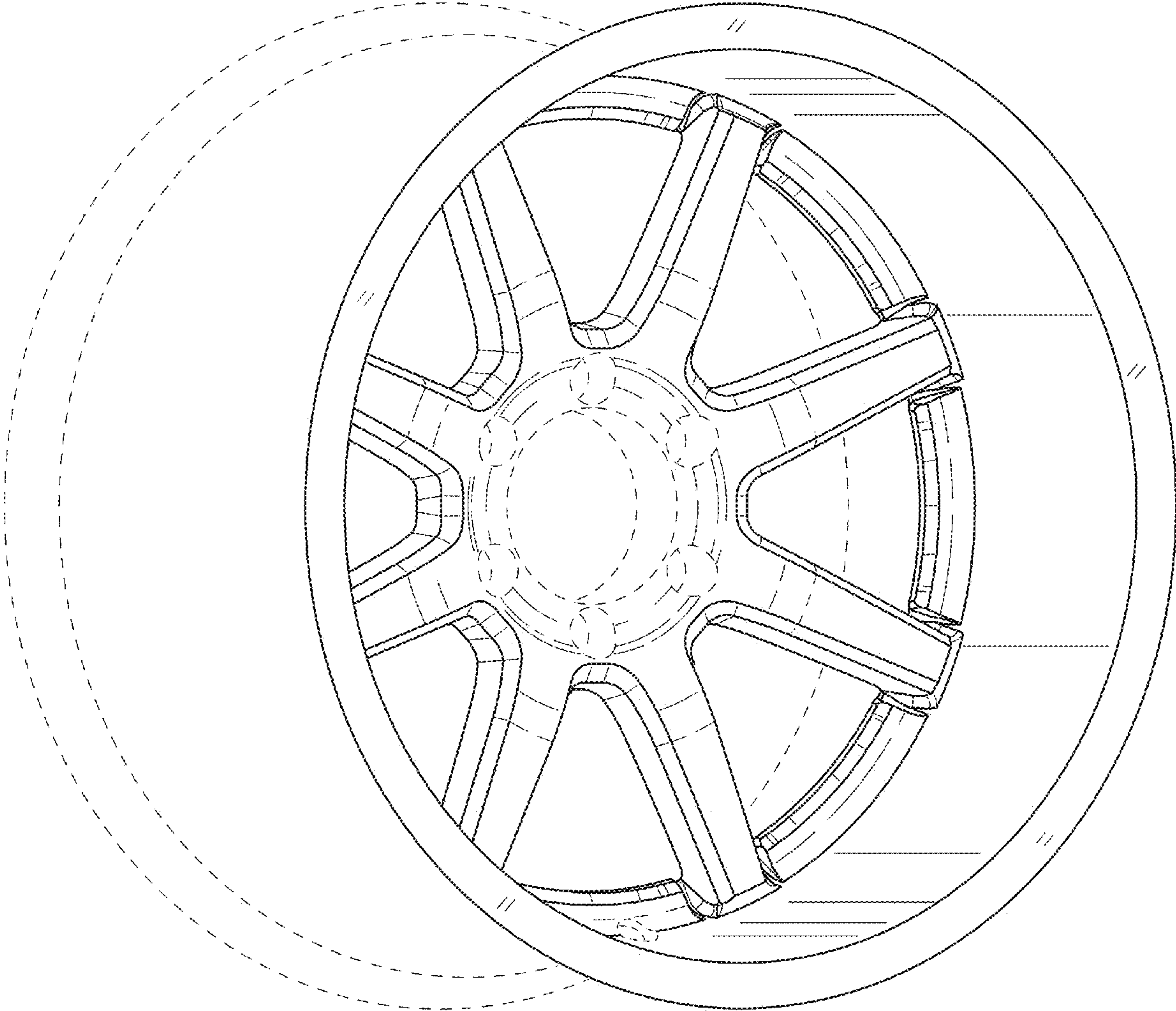


FIGURE 1

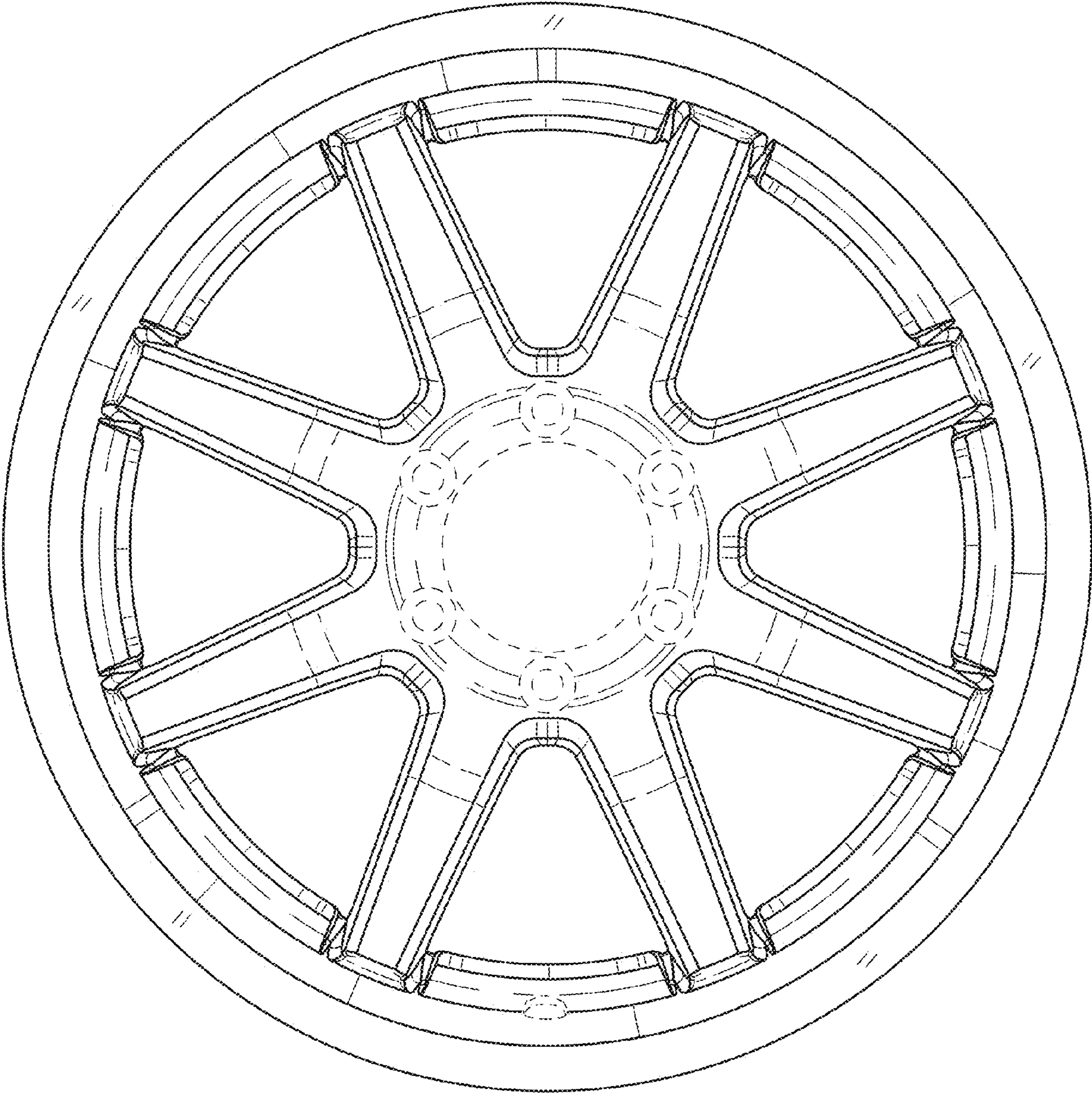


FIGURE 2