



US00D928056S

(12) **United States Design Patent** (10) **Patent No.:** **US D928,056 S**
Anscheidt et al. (45) **Date of Patent:** **** Aug. 17, 2021**

(54) **WHEEL RIM**

(71) Applicant: **Bugatti International SA**, Luxembourg (LU)

(72) Inventors: **Achim Anscheidt**, Berlin (DE); **Frank Heyl**, Calberlah (DE)

(73) Assignee: **Bugatti International S.A.**, Luxembourg (LU)

(**) Term: **15 Years**

(21) Appl. No.: **29/735,321**

(22) Filed: **May 20, 2020**

(30) **Foreign Application Priority Data**

Apr. 2, 2020 (EM) 007658422-0006

(51) **LOC (13) Cl.** **12-16**

(52) **U.S. Cl.**
USPC **D12/209**

(58) **Field of Classification Search**
USPC D12/204-213; D21/563
CPC B60B 7/00; B60B 7/02; B60B 7/04; B60B 7/01; B60B 7/06; B60B 3/02; B60B 3/04; B60B 3/06; B60B 3/10; B60B 1/00; B60B 1/08; B60B 1/10; B60B 1/12

See application file for complete search history.

(56) **References Cited**

U.S. PATENT DOCUMENTS

D277,471 S *	2/1985	Uder	D12/211
D445,081 S *	7/2001	Cunningham	D12/211
D461,444 S *	8/2002	Bernoni	D12/211
D516,004 S *	2/2006	Hernandez	D12/211
D590,758 S *	4/2009	Chen	D12/209
D726,620 S *	4/2015	Licklitter	D12/209
D803,750 S *	11/2017	Lettieri	D12/209
D804,389 S *	12/2017	Lettieri	D12/209
D824,835 S *	8/2018	Ferrett	D12/211
D871,993 S *	1/2020	Swygert	D12/209
D902,107 S *	11/2020	Tomasson	D12/209

* cited by examiner

Primary Examiner — Stacia A Cadmus

(74) *Attorney, Agent, or Firm* — Blank Rome LLP

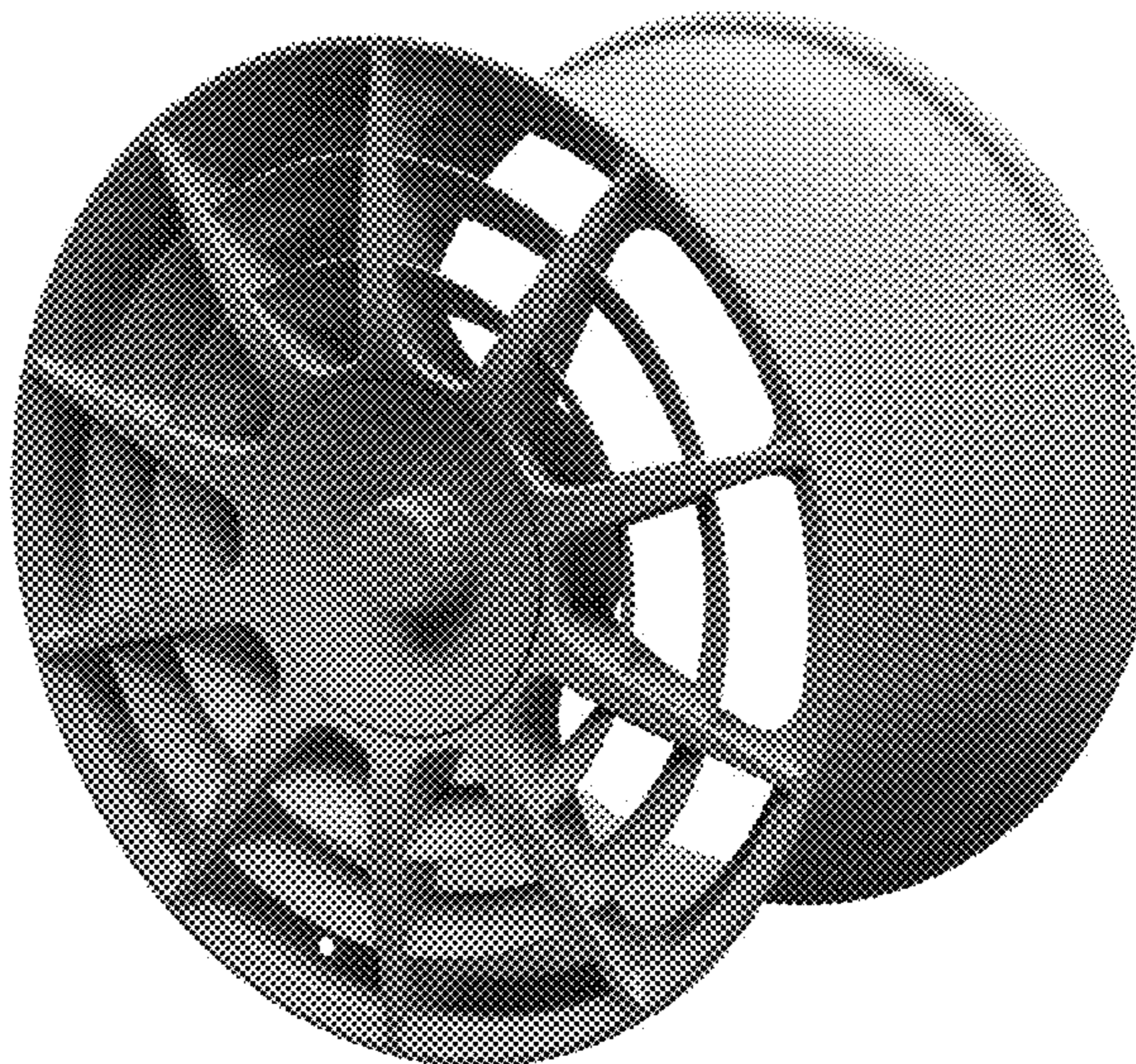
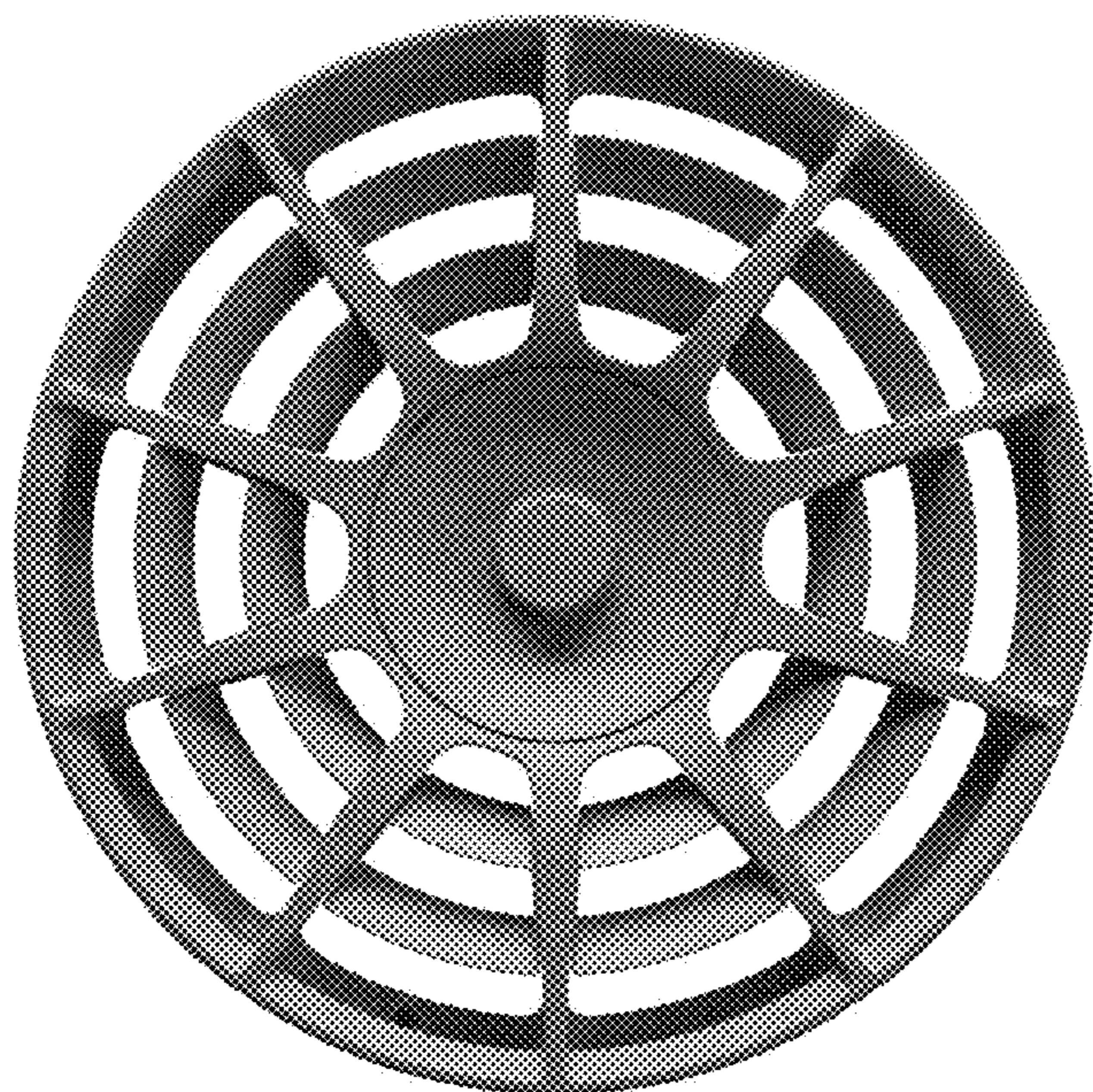
(57) **CLAIM**

The ornamental design for a wheel rim, as shown and described.

DESCRIPTION

FIG. 1 is a front view of a wheel rim of our present design; FIG. 2 is a top view thereof; FIG. 3 is a bottom view thereof; FIG. 4 is a left side view thereof; FIG. 5 is a right side view thereof; and, FIG. 6 is a front, right perspective view thereof.

1 Claim, 6 Drawing Sheets



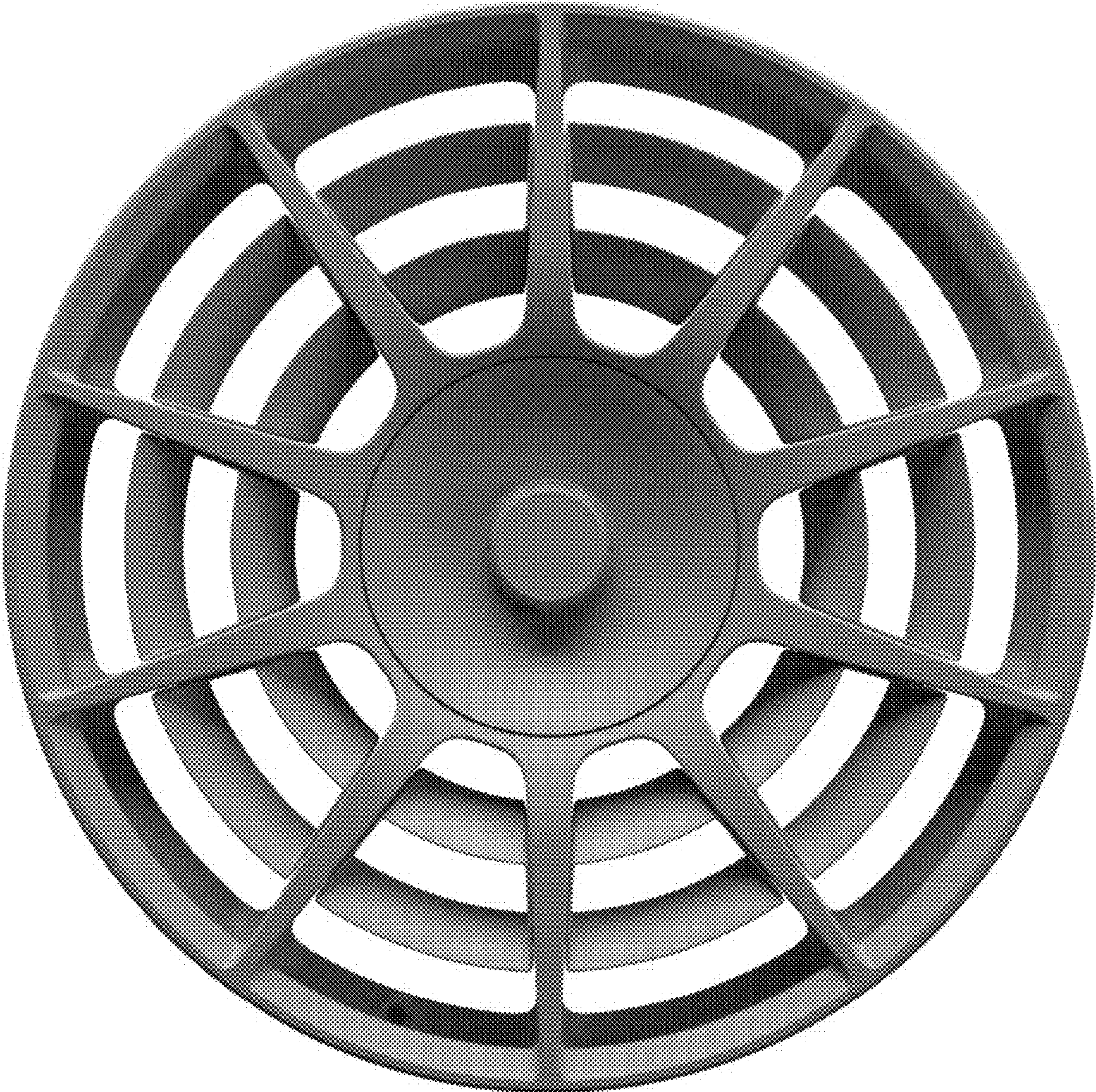


FIG 1

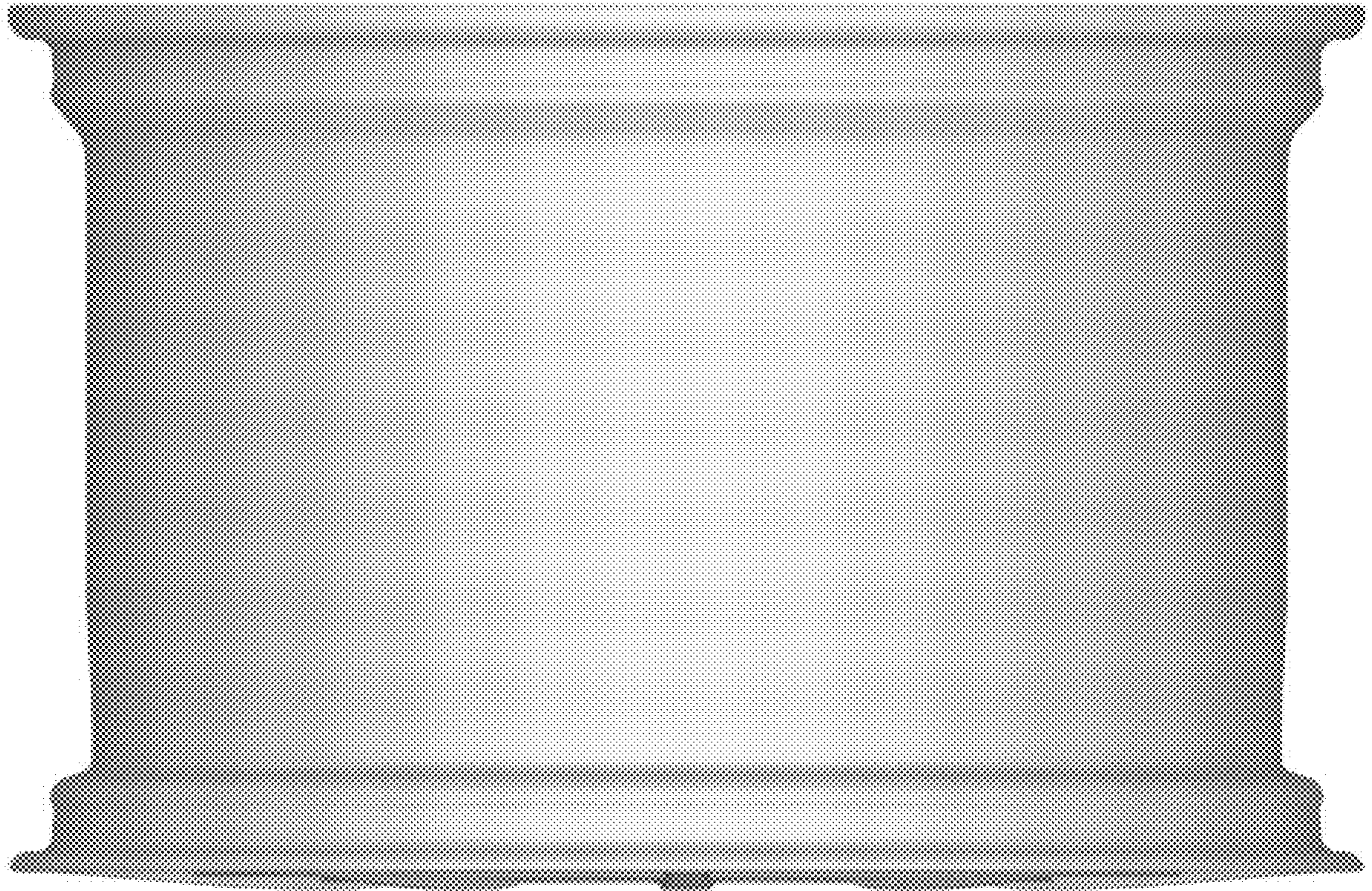


FIG 2

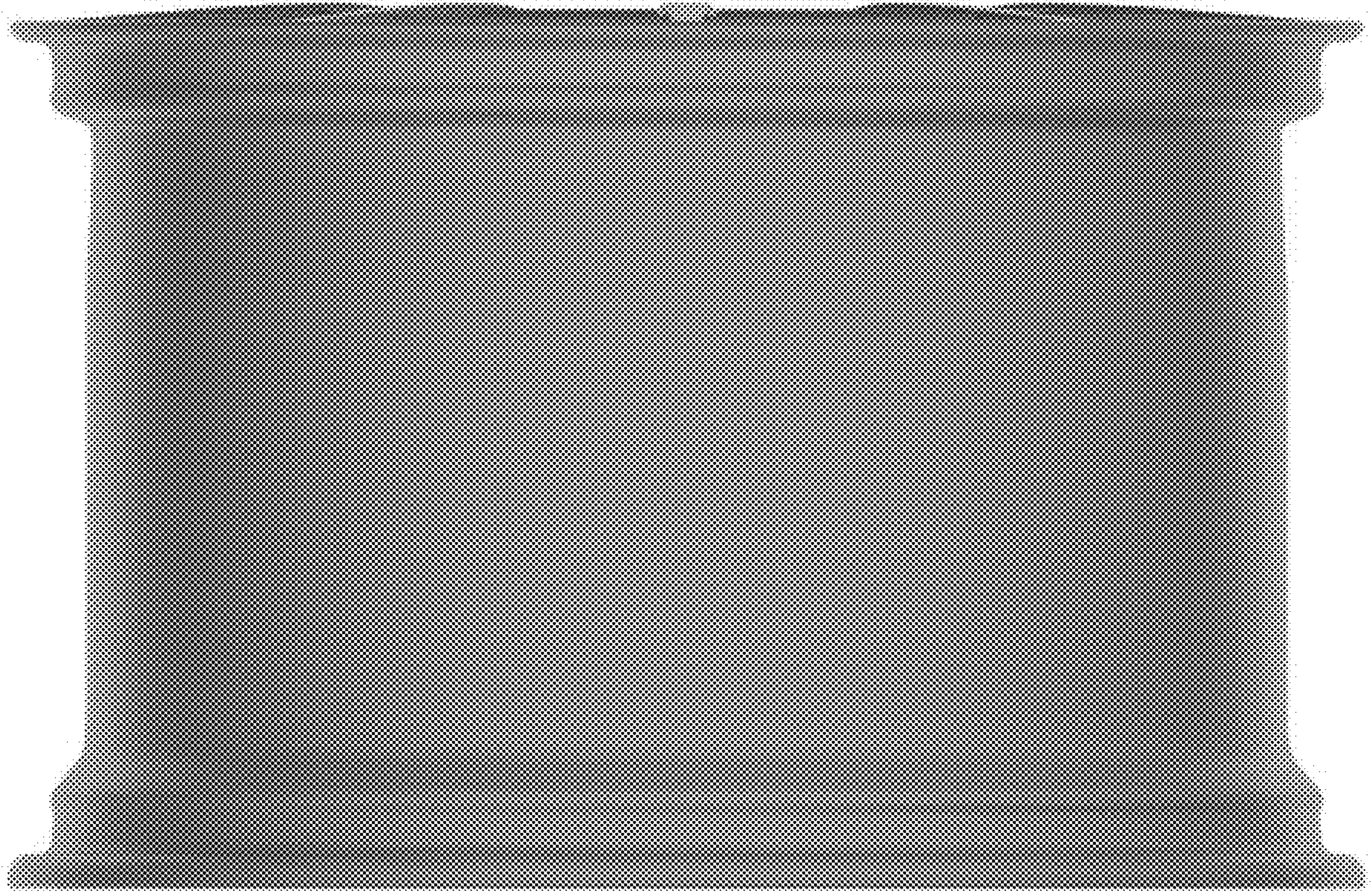


FIG 3

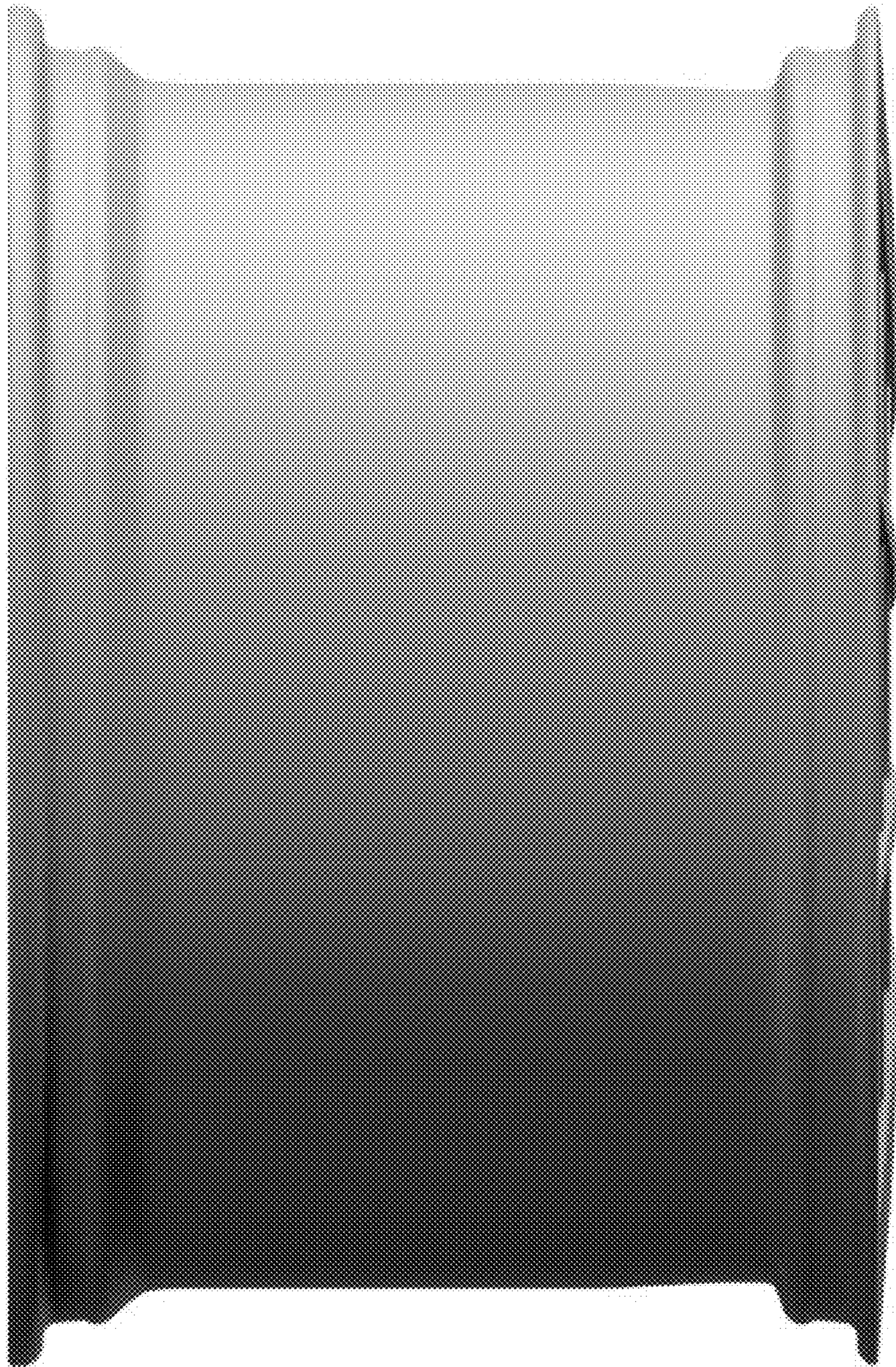


FIG 4



FIG 5

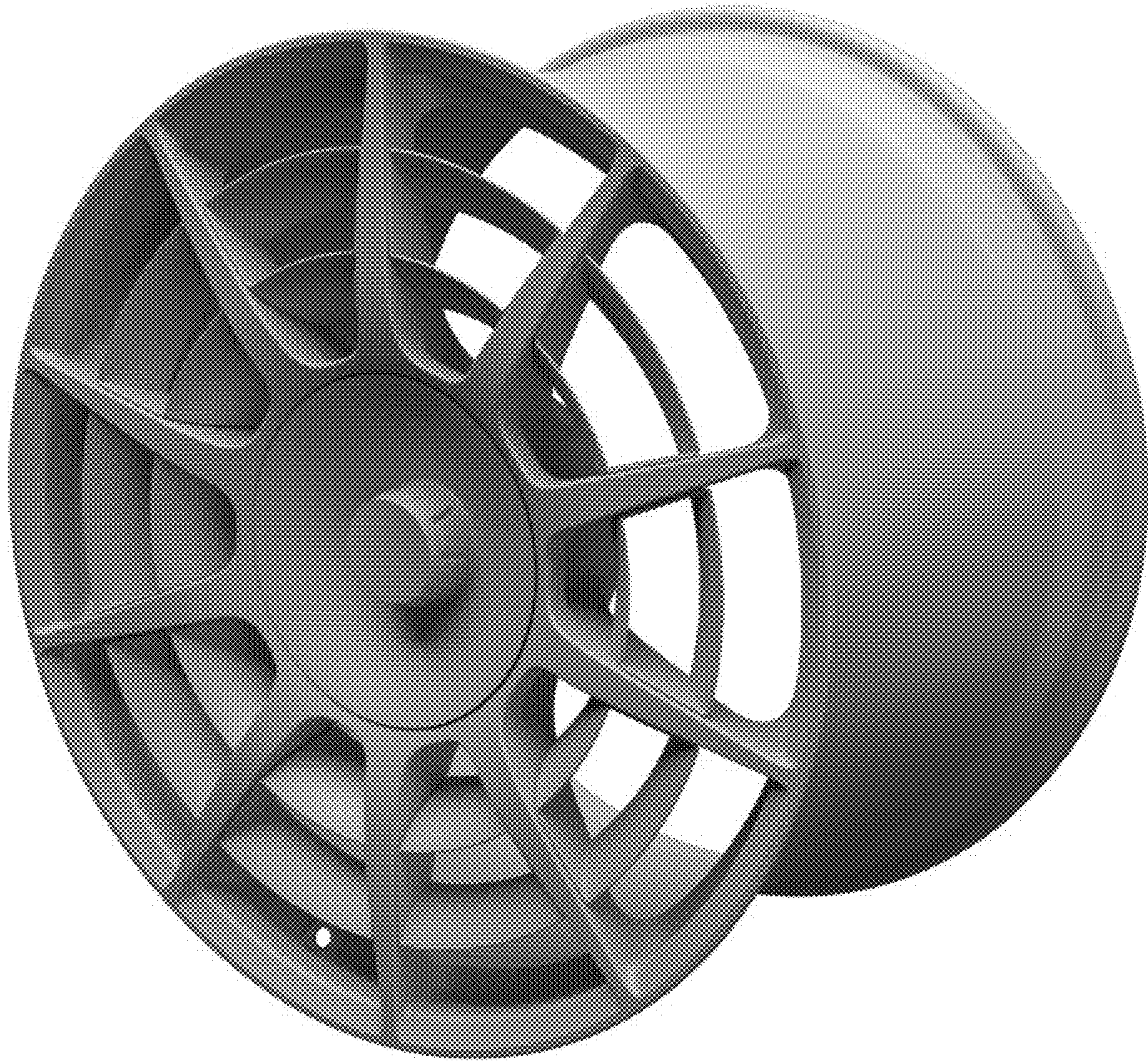


FIG 6

UNITED STATES PATENT AND TRADEMARK OFFICE
CERTIFICATE OF CORRECTION

PATENT NO. : D928,056 S
APPLICATION NO. : 29/735321
DATED : August 17, 2021
INVENTOR(S) : Achim Anscheidt and Frank Heyl

Page 1 of 1

It is certified that error appears in the above-identified patent and that said Letters Patent is hereby corrected as shown below:

On the Title Page

Item (30), Foreign Application Priority Data Delete "April 2, 2020" and insert --February 4, 2020--

Signed and Sealed this
Fifth Day of October, 2021



Drew Hirshfeld
*Performing the Functions and Duties of the
Under Secretary of Commerce for Intellectual Property and
Director of the United States Patent and Trademark Office*