



US00D928054S

(12) **United States Design Patent**
Xia

(10) **Patent No.:** **US D928,054 S**

(45) **Date of Patent:** **** Aug. 17, 2021**

(54) **VEHICLE WHEEL**

(71) Applicant: **CITIC Dicastal Co., Ltd.**,
Qinhuangdao (CN)

(72) Inventor: **Shizhuo Xia**, Qinhuangdao (CN)

(73) Assignee: **CITIC Dicastal Co., Ltd.**,
Qinhuangdao (CN)

(**) Term: **15 Years**

(21) Appl. No.: **29/732,764**

(22) Filed: **Apr. 27, 2020**

(30) **Foreign Application Priority Data**

Mar. 16, 2020 (CN) 202030086846.8

(51) **LOC (13) Cl.** **12-16**

(52) **U.S. Cl.**
USPC **D12/209**

(58) **Field of Classification Search**

USPC D12/204-213; D21/563
CPC B60B 7/00; B60B 7/02; B60B 7/04; B60B
7/01; B60B 7/06; B60B 3/02; B60B 3/04;
B60B 3/06; B60B 3/10; B60B 1/00;
B60B 1/08; B60B 1/10; B60B 1/12

See application file for complete search history.

(56) **References Cited**

U.S. PATENT DOCUMENTS

D516,984 S * 3/2006 Hernandez D12/209
D526,265 S * 8/2006 Muzzarelli D12/209

D581,338 S * 11/2008 Imai D12/209
D620,420 S * 7/2010 Lamm D12/209
D625,238 S * 10/2010 Zhao D12/209
D683,684 S * 6/2013 Campbell D12/209
D695,188 S * 12/2013 Chinavare D12/209
D781,197 S * 3/2017 Ninov D12/209
D792,312 S * 7/2017 Wilson D12/211
D817,246 S * 5/2018 Andoh D12/209
D865,612 S * 11/2019 Interrante D12/209
D884,571 S * 5/2020 Morgenstern D12/209
D887,938 S * 6/2020 Stone D12/209
D889,359 S * 7/2020 Gillam D12/209
D889,360 S * 7/2020 Ninov D12/209
D891,347 S * 7/2020 Huang D12/209
D893,380 S * 8/2020 Vincent D12/209
D896,147 S * 9/2020 Hoste D12/209
D904,960 S * 12/2020 Carbis D12/209

* cited by examiner

Primary Examiner — Stacia A Cadmus

(74) *Attorney, Agent, or Firm* — IPRO, PLLC

(57) **CLAIM**

The ornamental design for a vehicle wheel, as shown and described.

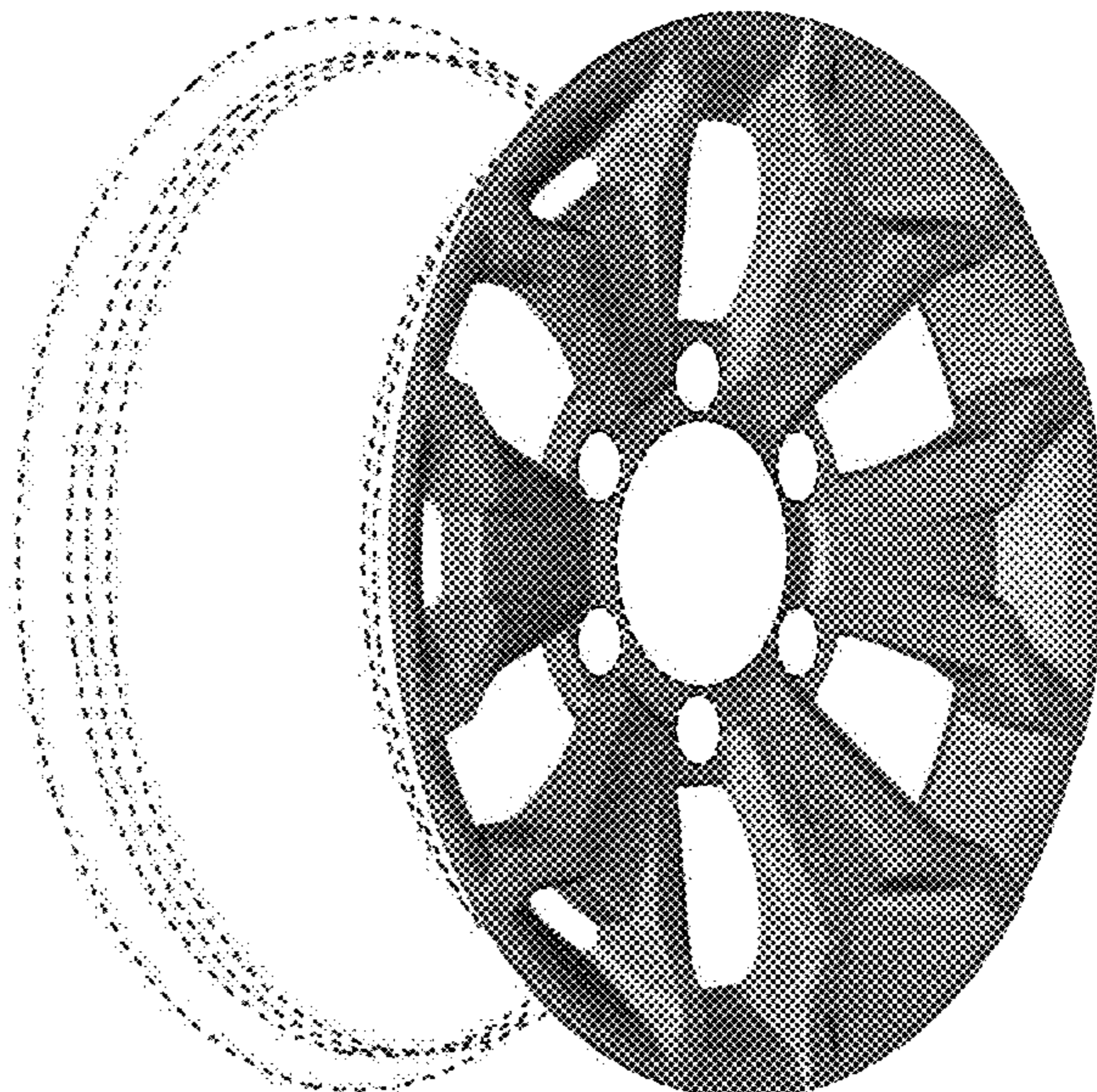
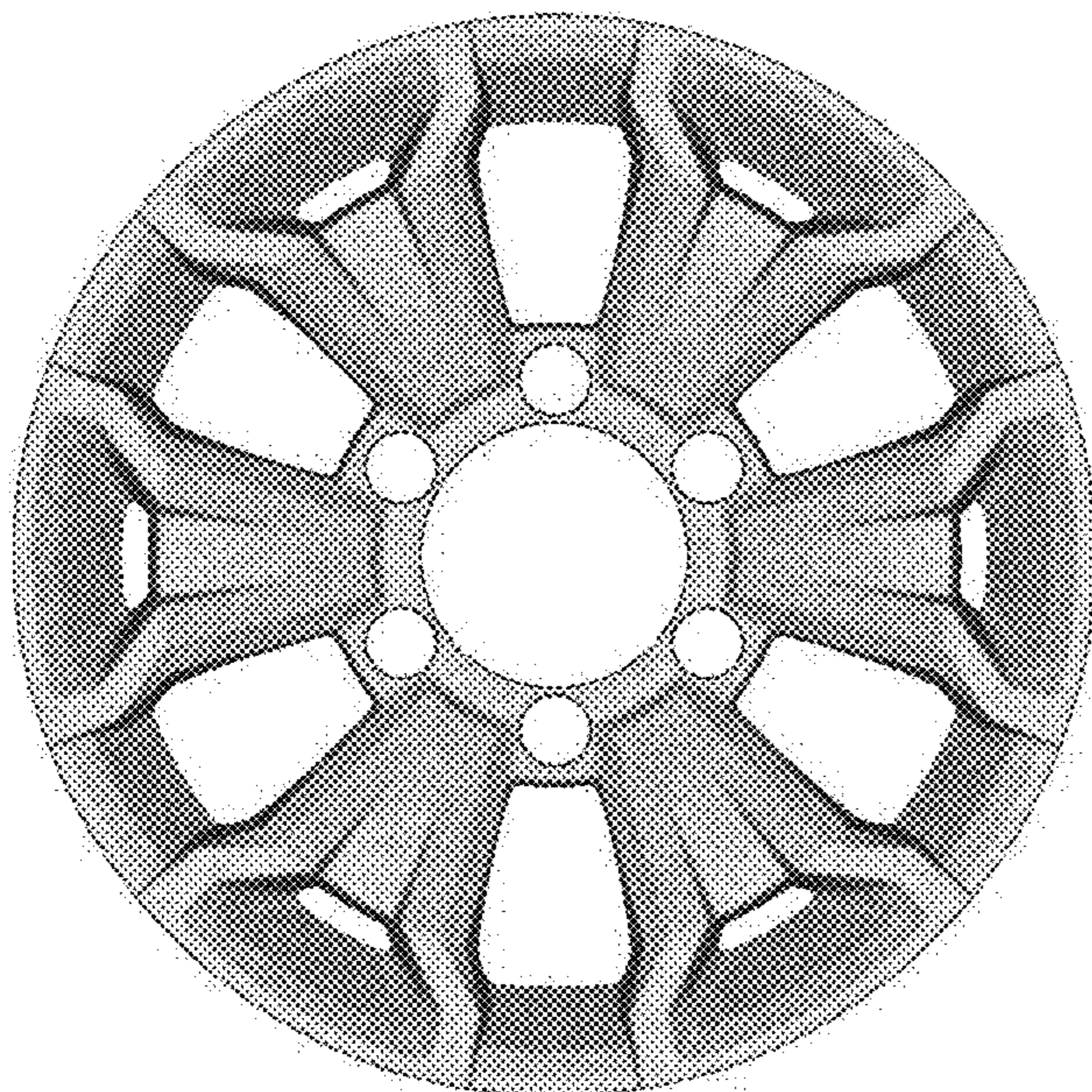
DESCRIPTION

FIG. 1 is a front view of a vehicle wheel.

FIG. 2 is a perspective view of the vehicle wheel; and,
FIG. 3 is a left side view of the vehicle wheel.

In the drawings the broken lines depict portions of the wheel that form no part of the claimed design.

1 Claim, 3 Drawing Sheets



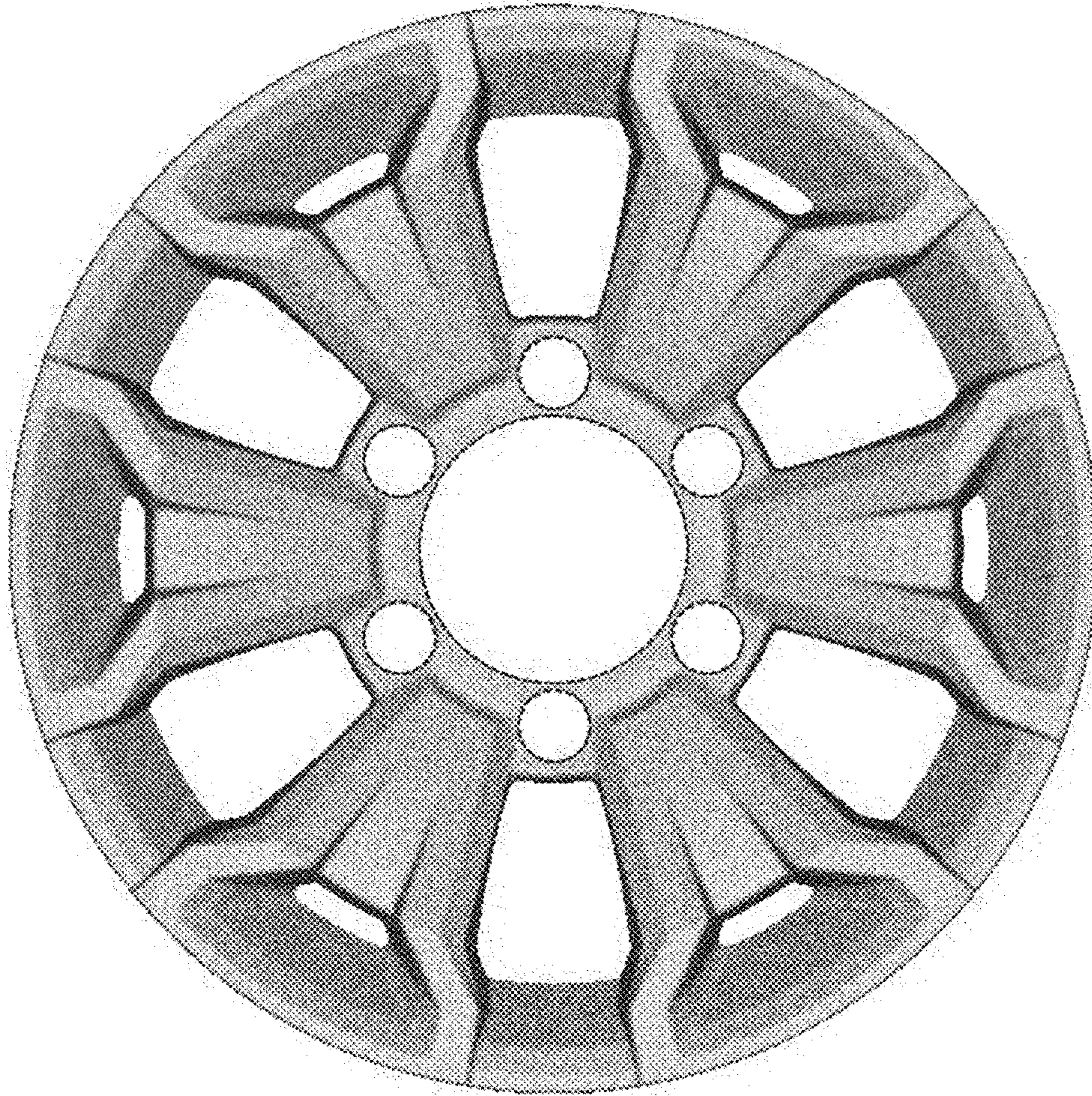


FIG. 1

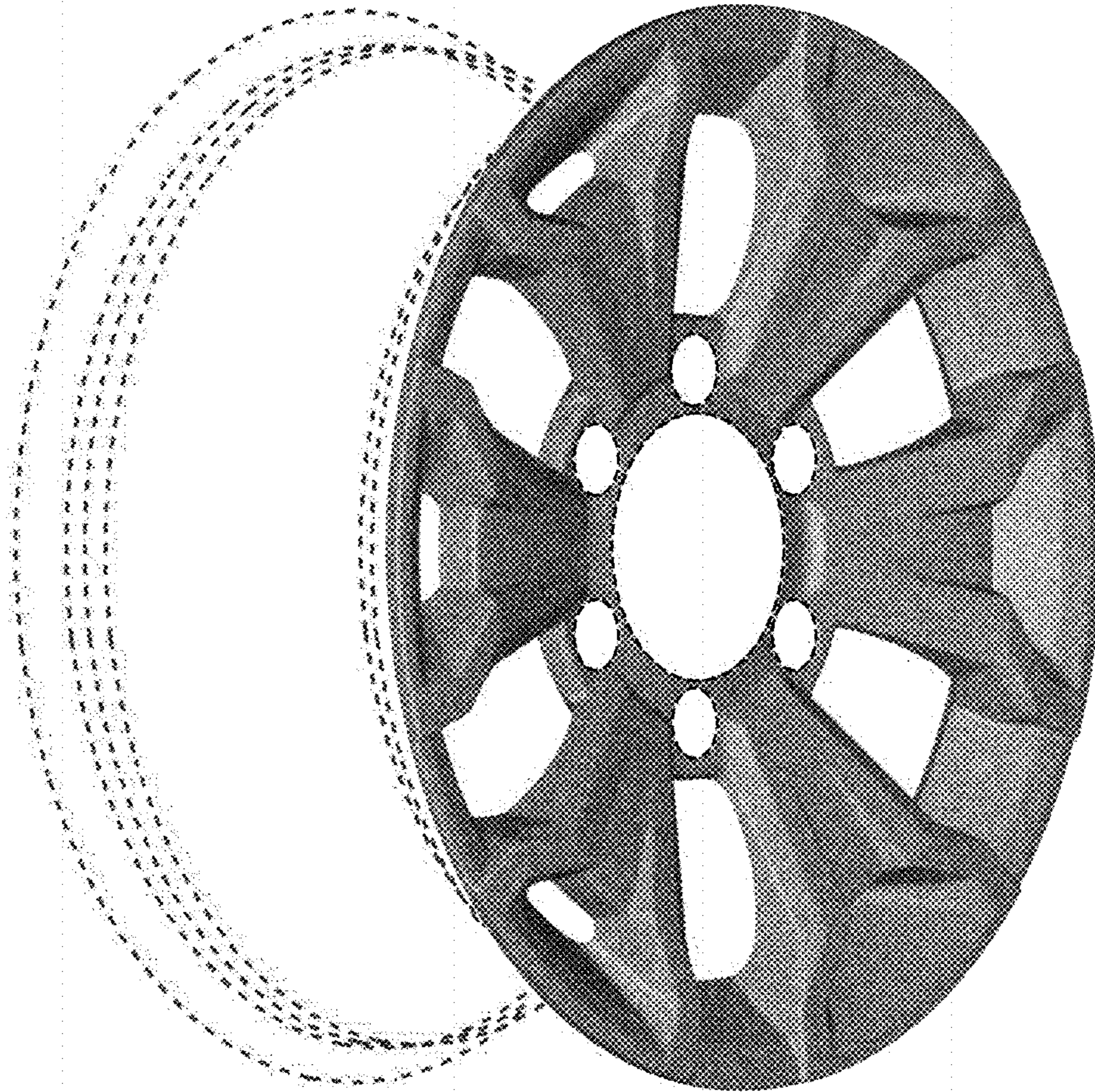


FIG. 2

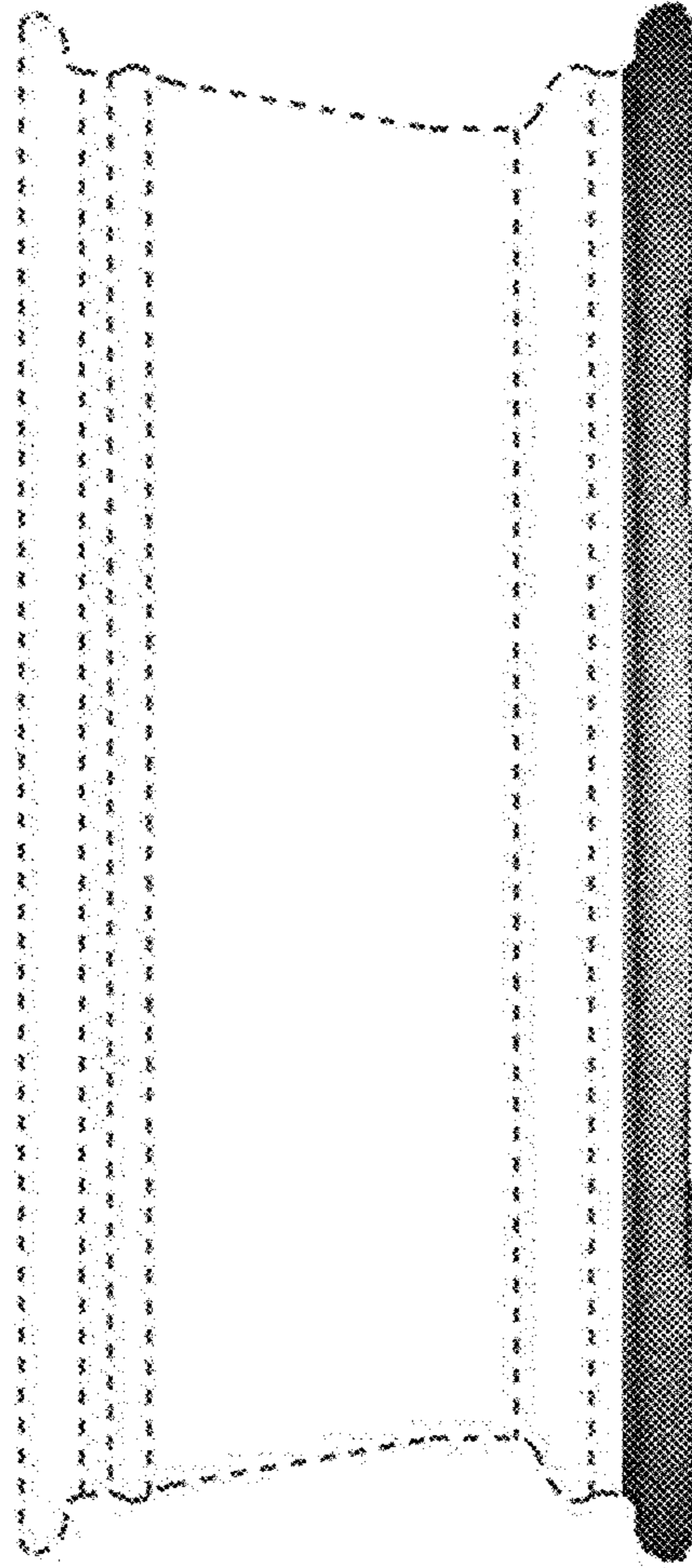


FIG. 3