



US00D928052S

(12) **United States Design Patent** (10) **Patent No.:** **US D928,052 S**
Akrapovic et al. (45) **Date of Patent:** **** Aug. 17, 2021**

(54) **MUFFLER FOR MOTOR VEHICLES**
(71) Applicant: **Igor Akrapovic**, Ljubljana (SI)
(72) Inventors: **Igor Akrapovic**, Ljubljana (SI); **Ermin Kosovel**, Zgornje Gorje (SI); **Mitja Mahnic**, Skofljica (SI)
(**) Term: **15 Years**
(21) Appl. No.: **35/508,761**
(22) Filed: **Apr. 19, 2019**
(80) **Hague Agreement Data**
Int. Filing Date: **Apr. 19, 2019**
Int. Reg. No.: **DM/206114**
Int. Reg. Date: **Apr. 19, 2019**
Int. Reg. Pub. Date: **Mar. 6, 2020**

(30) **Foreign Application Priority Data**
Oct. 25, 2018 (EM) 005808854-0001
(51) **LOC (13) Cl.** **12-16**
(52) **U.S. Cl.**
USPC **D12/194**
CPC **F01N 1/003** (2013.01)
(58) **Field of Classification Search**
USPC D23/205, 209, 323, 330; D15/5;
D12/194
CPC ... F01N 1/00; F01N 1/003; F01N 1/02; F01N
1/04; F01N 1/10; F01N 1/24; F01N
13/08; F01N 13/082; F01N 13/085; F01N
13/087; F01N 13/20; F01N 13/16
See application file for complete search history.

(56) **References Cited**
U.S. PATENT DOCUMENTS
D246,038 S * 10/1977 Moller D12/194
6,431,311 B1 * 8/2002 Brown F01N 13/082
181/227
D467,210 S * 12/2002 Yu D12/194

D480,030 S * 9/2003 Gilli D12/194
D490,036 S * 5/2004 Cho D12/194
D495,642 S * 9/2004 Luttig D12/194
D496,313 S * 9/2004 Suzuki D12/194
D541,718 S * 5/2007 Emler D12/194
D550,134 S * 9/2007 Akrapovic D12/194
D573,520 S * 7/2008 Kouchi D12/194
D573,521 S * 7/2008 Hsu D12/194
D578,050 S * 10/2008 Hsu D12/194
D589,422 S * 3/2009 Davis, Jr. D12/194
D597,915 S * 8/2009 Bhambra D12/194
D654,839 S * 2/2012 Contreras D12/194
8,439,159 B1 * 5/2013 Borla F01N 1/083
181/257
D689,420 S * 9/2013 Chou D12/194
D709,012 S * 7/2014 Chou D12/194
D712,812 S * 9/2014 Verlengiere D12/194
D762,540 S * 8/2016 Yasuhara D12/194
D767,456 S * 9/2016 Finnie D12/194
D773,970 S * 12/2016 Kobayashi D12/194

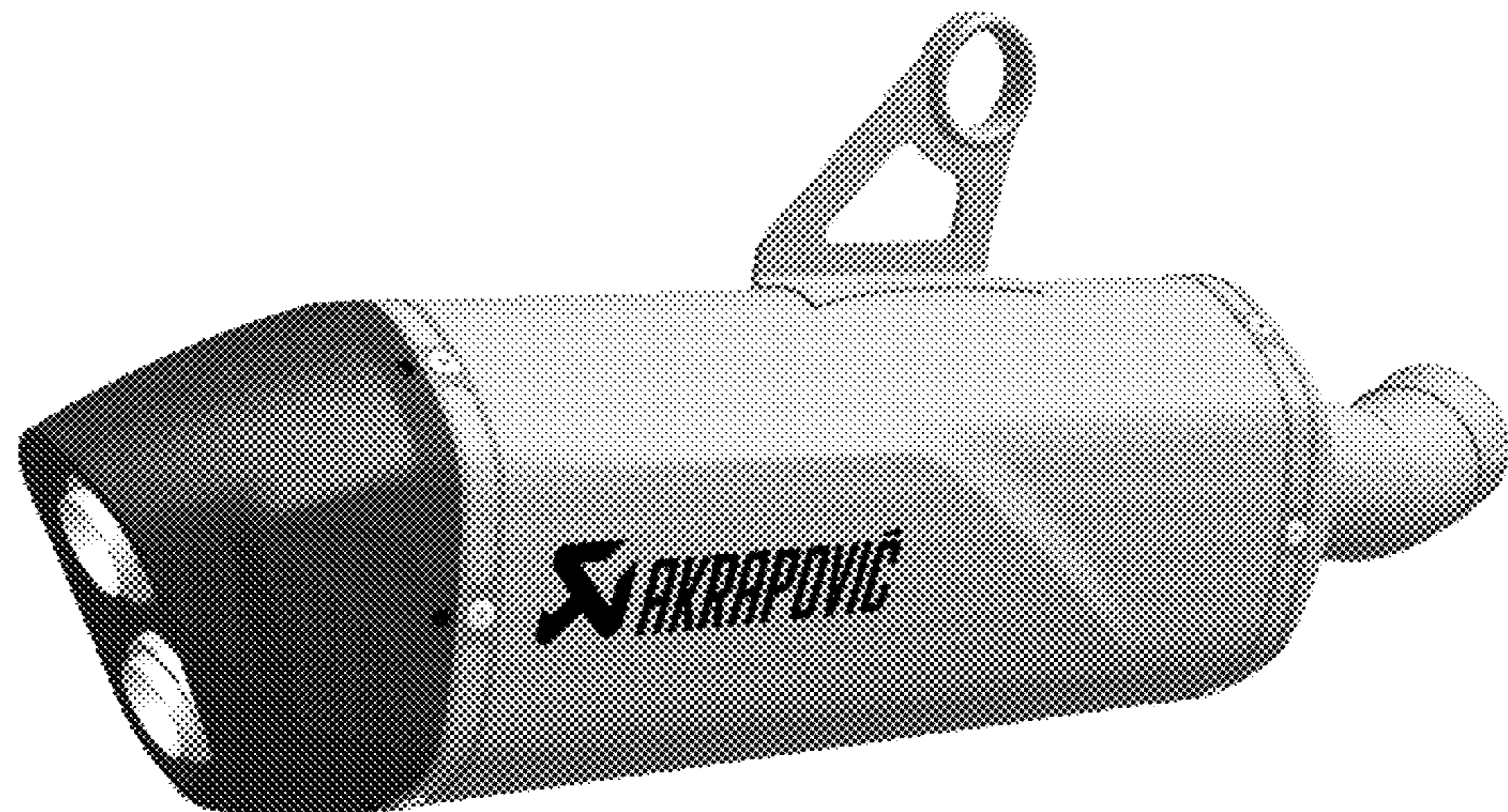
(Continued)

Primary Examiner — Richard E Chilcot
(74) *Attorney, Agent, or Firm* — Olson & Cepuritis, Ltd.;
Shawn E. Duckworth, Esq.

(57) **CLAIM**
The ornamental design for muffler for motor vehicles, as shown and described.

DESCRIPTION
1. Muffler for motor vehicles
1.1 : Perspective
1.2 : Front
1.3 : Perspective
1.4 : Perspective
1.5 : Right
1.6 : Left
1.7 : Bottom
1.8 : Back
1.9 : Top
The “AKRAPOVIČ” logo appearing in FIGS. 1.1, 1.3, and 1.5 that forms part of the claimed design is a trademark of Igor Akrapovič.

1 Claim, 9 Drawing Sheets



(56)

References Cited

U.S. PATENT DOCUMENTS

D798,884	S *	10/2017	Kaasalainen	G06F 3/04817 D14/485
D804,381	S *	12/2017	Akrapovic	D12/194
D804,382	S *	12/2017	Akrapovic	D12/194
D804,383	S *	12/2017	Akrapovic	D12/194
D816,570	S *	5/2018	Akrapovic	D12/194
D819,066	S *	5/2018	Anderson	D14/486
D833,936	S *	11/2018	Akrapovic	D12/194
D836,514	S *	12/2018	Akrapovic	D12/194
D837,119	S *	1/2019	Akrapovic	D12/194
D852,821	S *	7/2019	Anderson	D14/485
10,437,845	B2 *	10/2019	Anderson	G06F 16/248
D875,009	S *	2/2020	Akrapovic	D12/194
D875,010	S *	2/2020	Akrapovic	D12/194
D877,763	S *	3/2020	Inman	D14/486
D895,502	S *	9/2020	Marovic	D12/194
2004/0089500	A1 *	5/2004	Lewis	F01N 13/18 181/249
2008/0121456	A1 *	5/2008	Davis	F01N 13/20 180/309

* cited by examiner

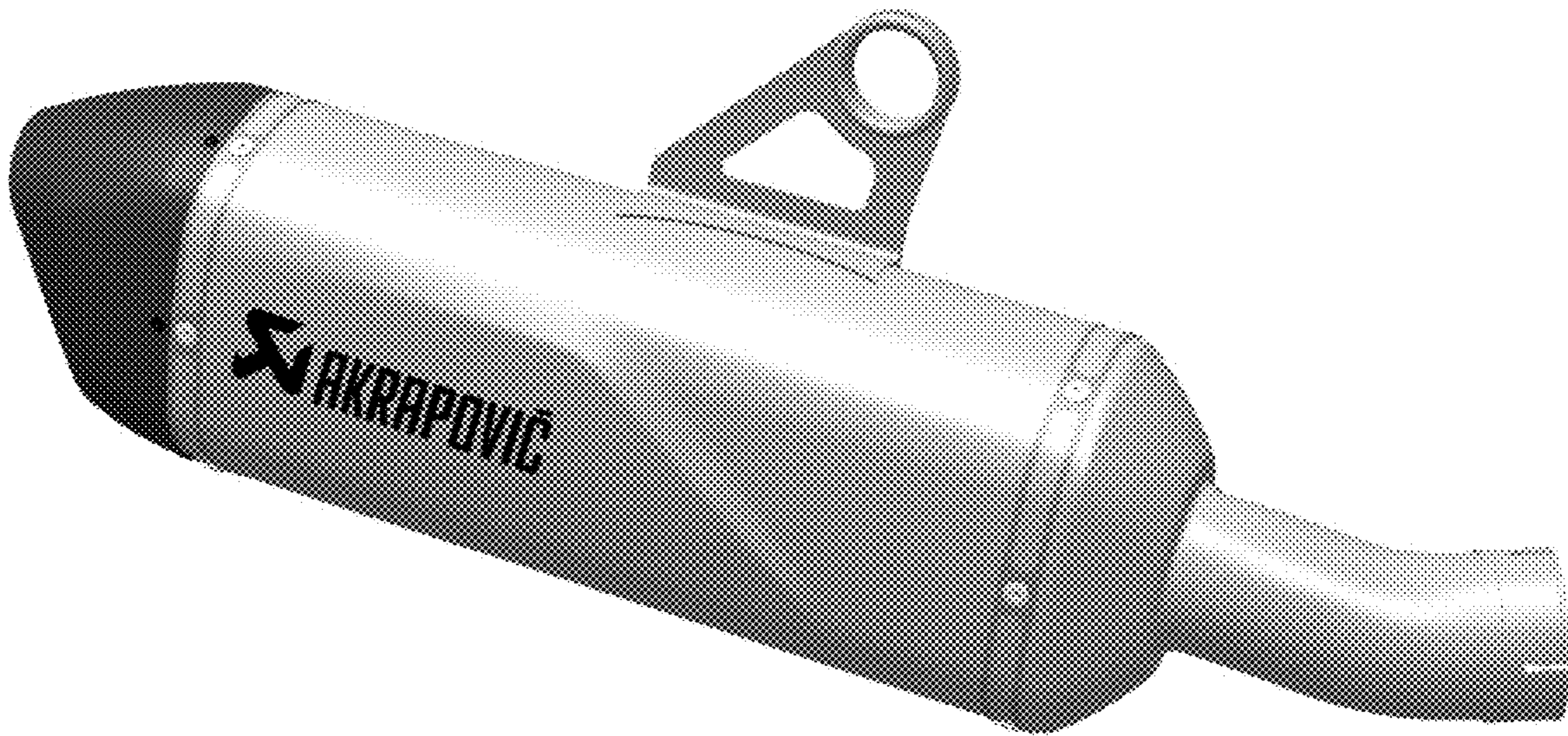
1.1



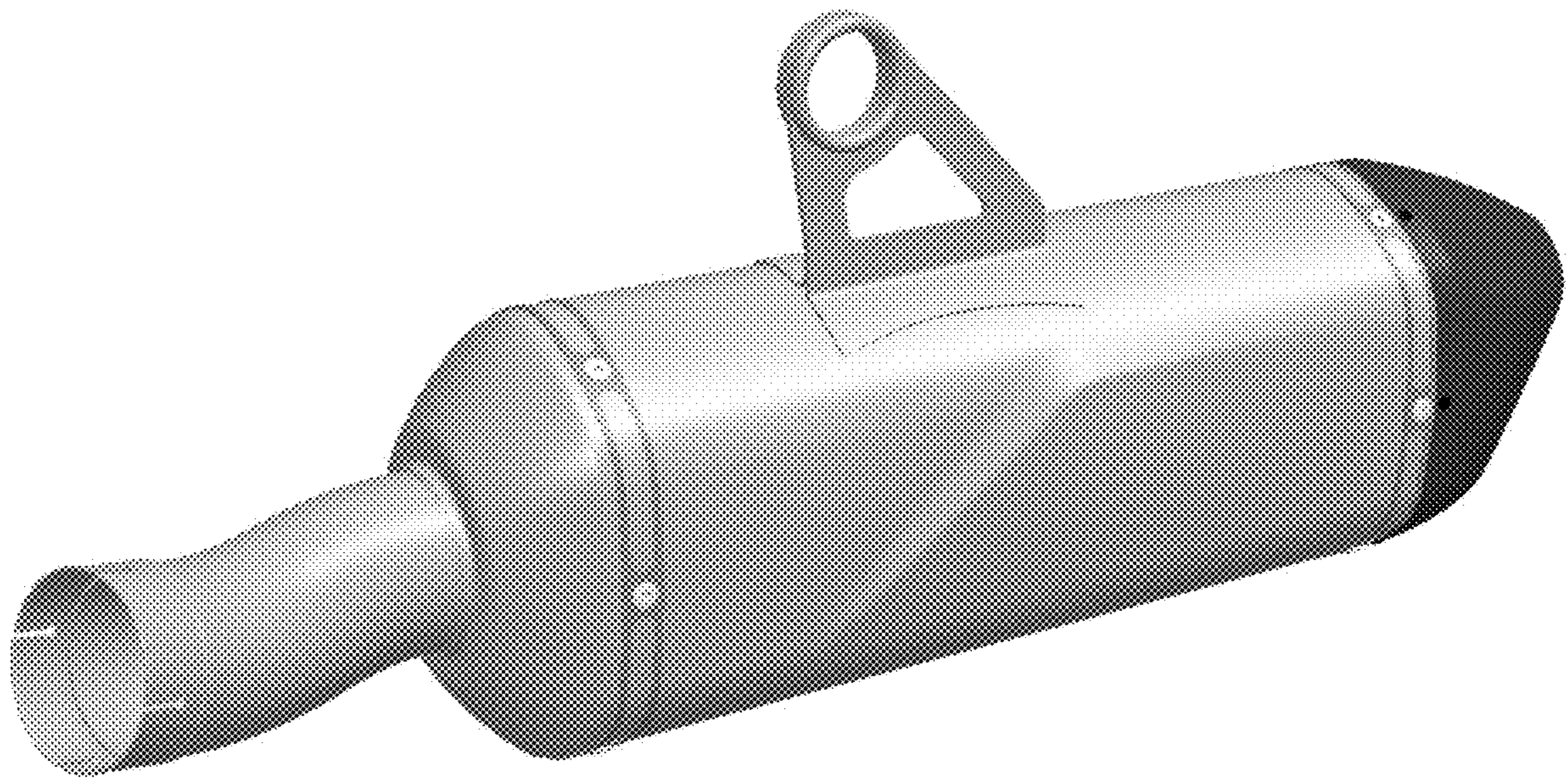
1.2



1.3



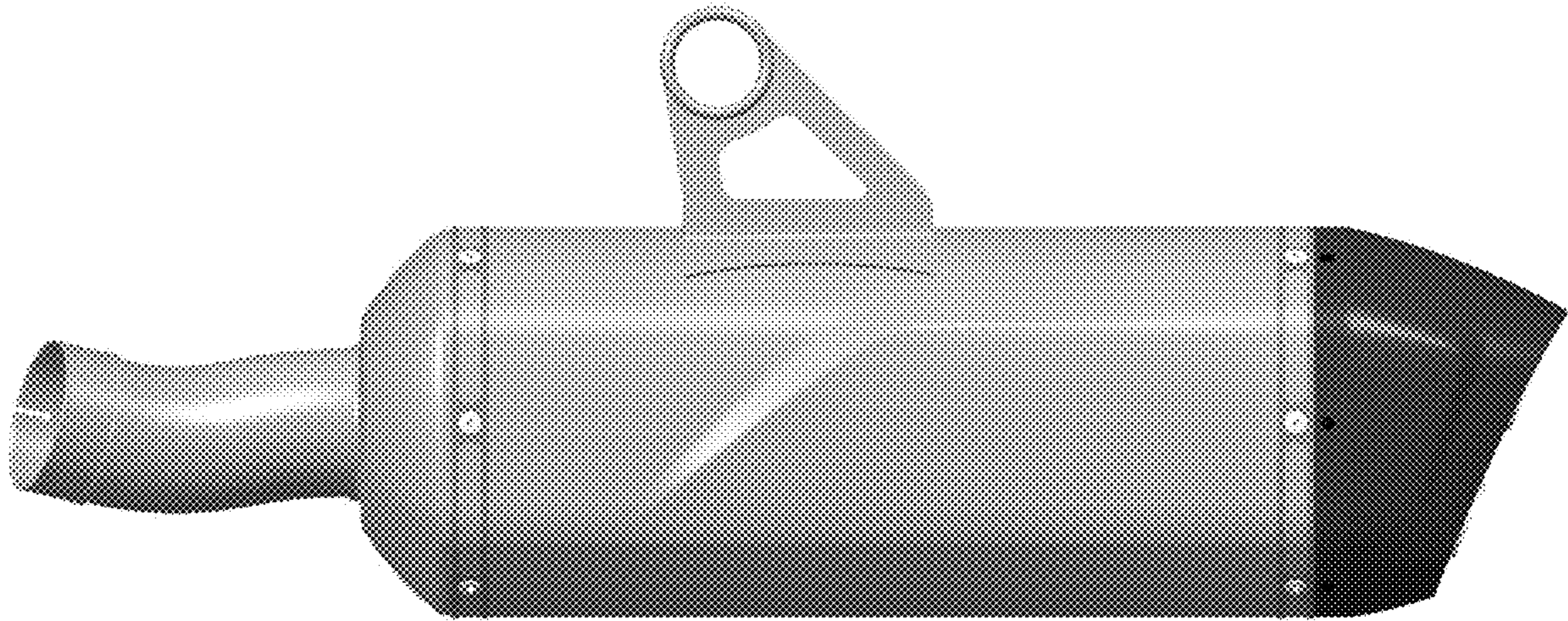
1.4



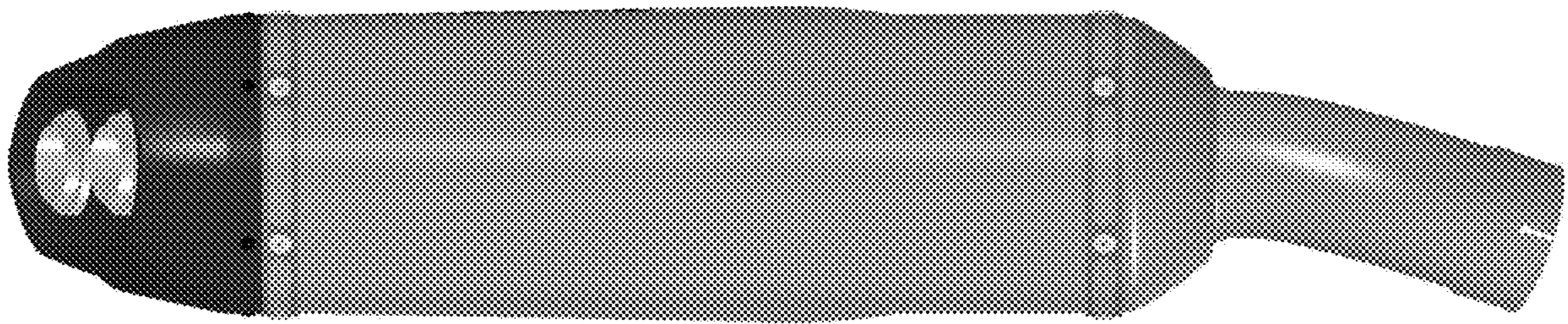
1.5



1.6



1.7



1.8



1.9

