



US00D928045S

(12) **United States Design Patent** (10) **Patent No.:** **US D928,045 S**
Rogers (45) **Date of Patent:** **** Aug. 17, 2021**

(54) **HOOD DECAL FOR A VEHICLE**

(71) Applicant: **Jaguar Land Rover Limited**, Coventry (GB)

(72) Inventor: **Mathew Rogers**, Coventry (GB)

(73) Assignee: **JAGUAR LAND ROVER LIMITED**, Coventry (GB)

(**) Term: **15 Years**

(21) Appl. No.: **29/716,813**

(22) Filed: **Dec. 12, 2019**

(30) **Foreign Application Priority Data**

Jun. 27, 2019 (EM) 006599049

(51) **LOC (13) Cl.** **12-08**

(52) **U.S. Cl.**
USPC **D12/173**

(58) **Field of Classification Search**

USPC D12/86, 91, 93, 163, 164, 165, 166, 167, D12/169, 171, 172, 173, 190, 216

CPC B60R 9/06; B60R 19/02; B60R 19/04; B60R 19/18; B60R 19/44; B60R 19/48; B62D 35/02; B62D 39/00; B62D 65/16; B62D 21/12; B29C 45/16

See application file for complete search history.

(56) **References Cited**

U.S. PATENT DOCUMENTS

- 5,039,156 A * 8/1991 Messmore B60J 1/20 296/91
- D627,281 S * 11/2010 Yoshida D12/173
- D813,757 S * 3/2018 Kozub D12/173
- D815,574 S * 4/2018 Mainville D12/173
- D823,755 S * 7/2018 Rolfs D12/173
- D830,253 S * 10/2018 Anderson D12/173
- D830,258 S * 10/2018 Moffett D12/181

(Continued)

OTHER PUBLICATIONS

“Model Car Racing.” Nov./ Dec. 2011. No. 60 issue. pp. 1 & 2. <https://fliphtml5.com/mdog/immf/basic> (Year: 2011).*

(Continued)

Primary Examiner — Brett Miller

Assistant Examiner — Suzanne E Tisdell

(74) *Attorney, Agent, or Firm* — Reising Ethington P.C.

(57) **CLAIM**

The ornamental design for a hood decal for a vehicle, as shown and described.

DESCRIPTION

FIG. 1 is a front right elevated perspective view of a hood decal for a vehicle according to the present invention.

FIG. 2 is a top view of the hood decal shown in FIG. 1.

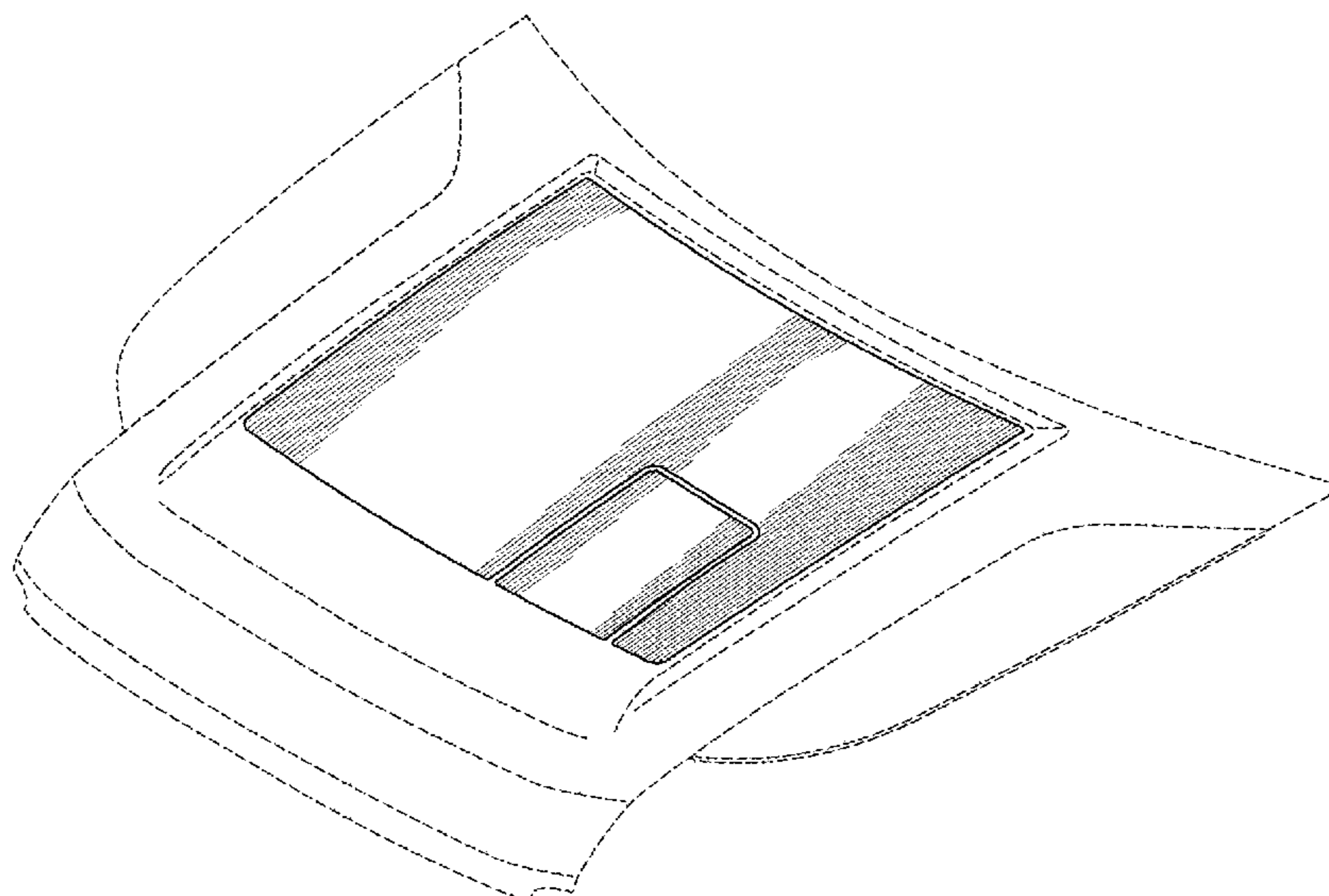
FIG. 3 is another top view thereof, from the right side, but with the hood decal located on a vehicle that is shown in broken lines. The vehicle shown in broken lines forms no part of the claimed design, but is instead included to show environmental structure.

FIG. 4 is still another top view, similar to FIG. 2, but which shows a variation thereof in that the number “90” is shown in broken lines within the decal, also to show additional environment. The invention contemplates the use of different numerals within the decal; and,

FIG. 5 is yet another top view, similar to FIGS. 2 and 4, but which shows another variation of the inventive design, in that the hood decal is located on the opposite side of the hood, which may be preferable in jurisdictions where the driver is also located on the opposite side of the vehicle.

In the Figures the broken lines form no part of the claimed design, but are instead included to show environmental structure.

1 Claim, 5 Drawing Sheets



(56)

References Cited

U.S. PATENT DOCUMENTS

D843,281 S * 3/2019 Gander B62D 63/025
D12/173
D863,154 S * 10/2019 O'Donnell D12/173
D863,157 S * 10/2019 Wilkins D12/173
10,471,998 B2 * 11/2019 Krijnen B62D 25/10
D873,188 S * 1/2020 Rolfs D12/173
D873,735 S * 1/2020 Park Cheng D12/173
D873,737 S * 1/2020 Goodrich D12/173
D889,333 S * 7/2020 Grand D12/173
10,723,390 B2 * 7/2020 Salter E05F 15/60
10,782,047 B2 * 9/2020 Critchley B62D 25/12

OTHER PUBLICATIONS

“Hood Blackout Racing Stripes Trail Boss Style 1 FITS 2019 2020 Silverado Compatible with Chevy (Color: Red).” Dec. 11, 2019. Amazon. <https://www.amazon.com/Blackout-Racing-Stripes-Silverado-Compatible/dp/B082MCLR9V?th=1> (Year: 2019).*

* cited by examiner

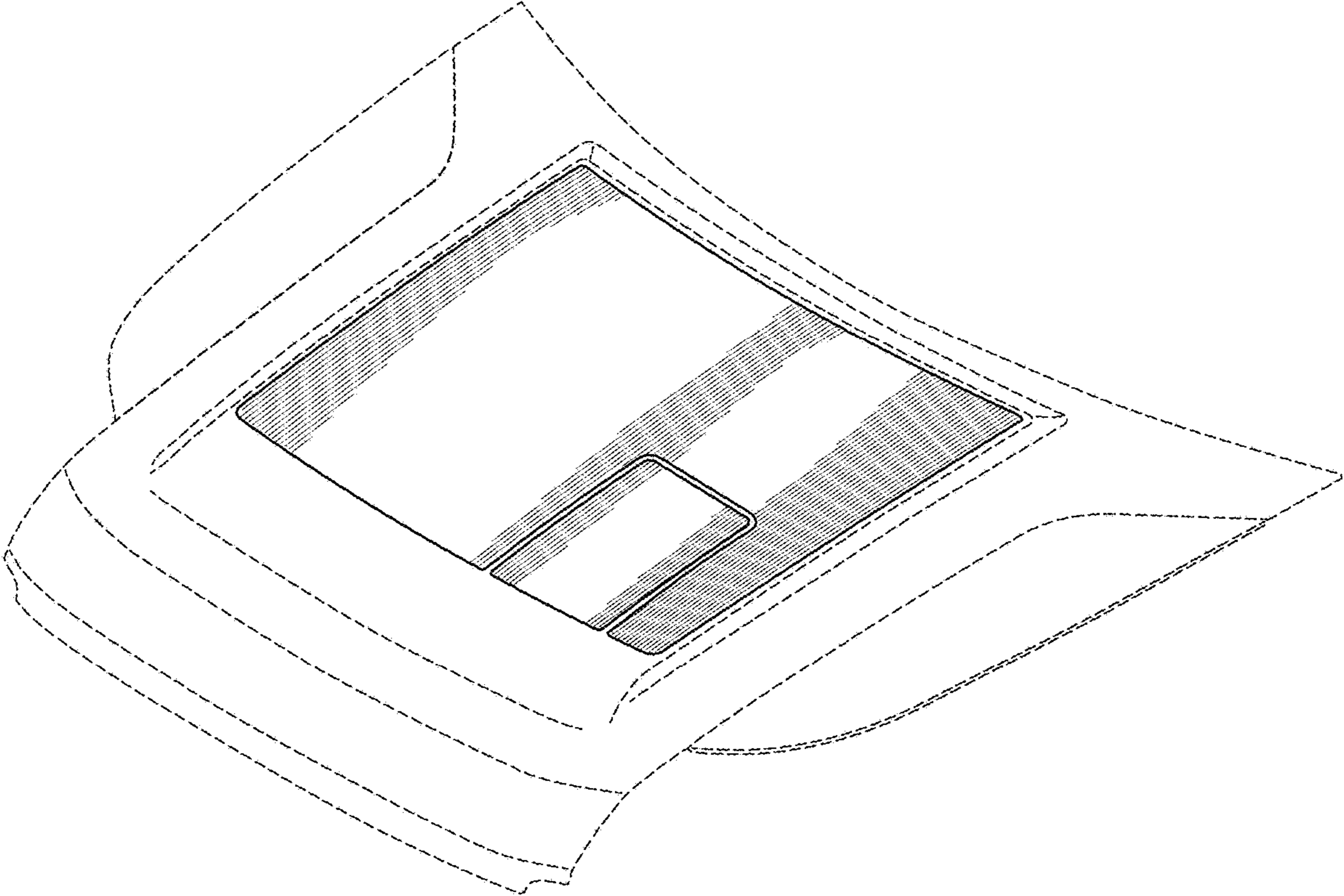


FIG. 1

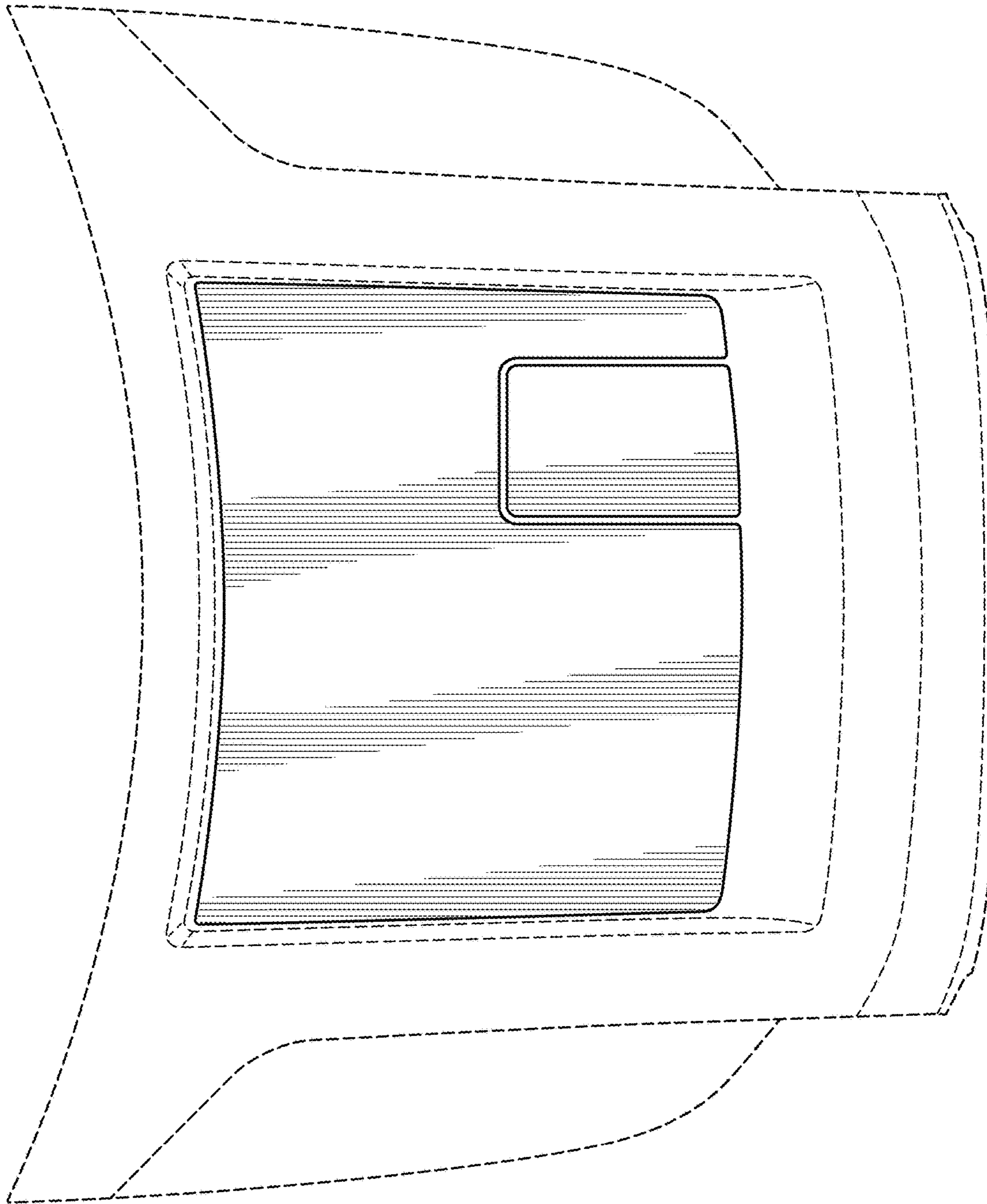


FIG. 2

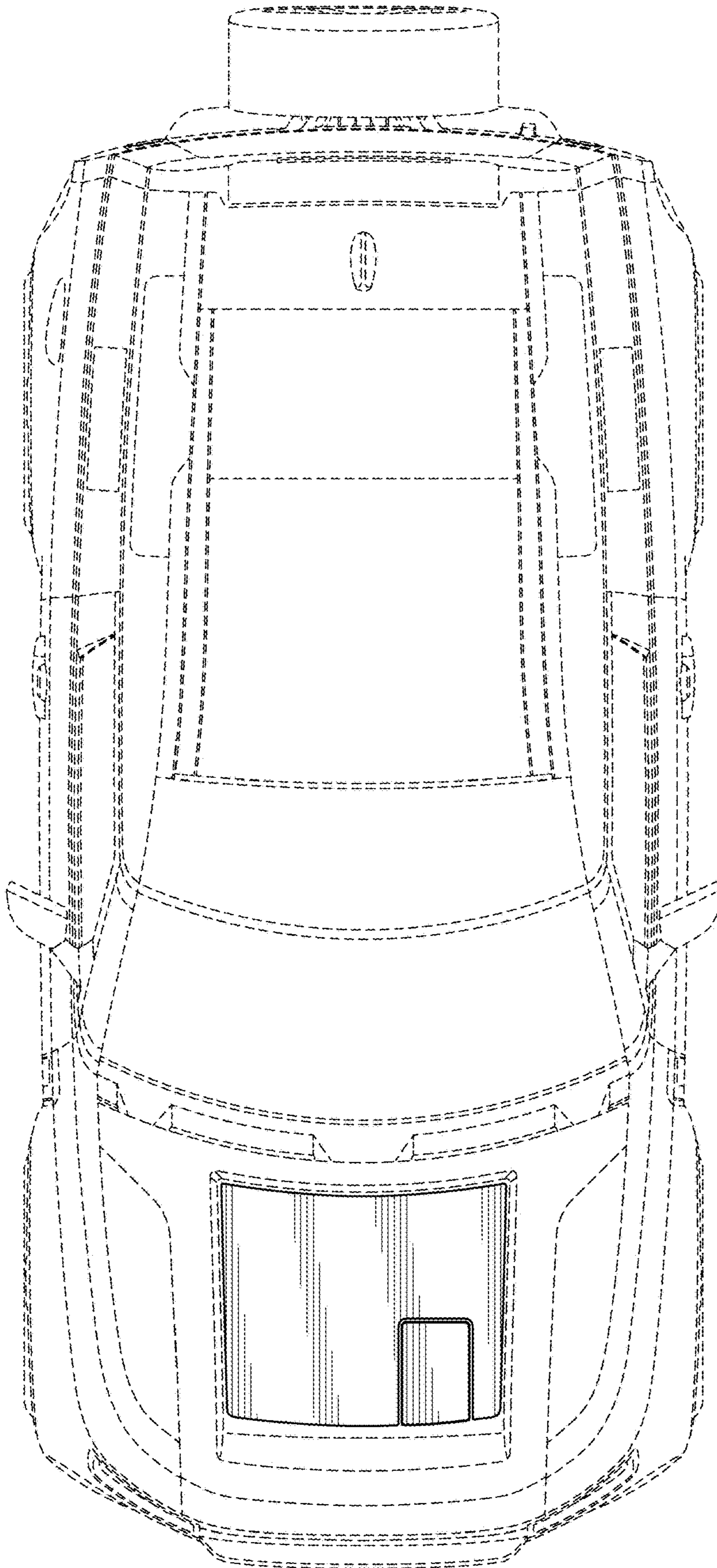


FIG. 3

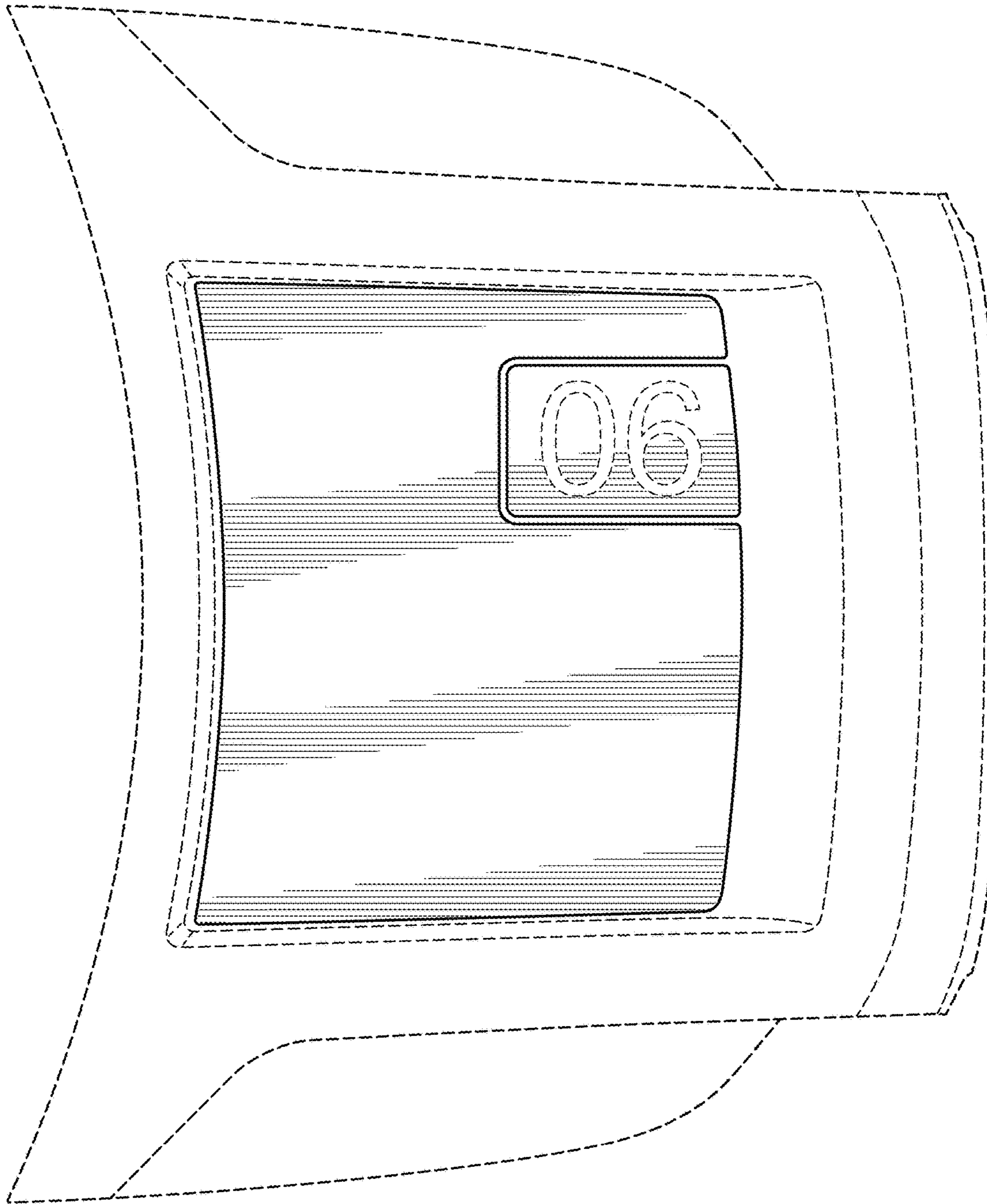


FIG. 4

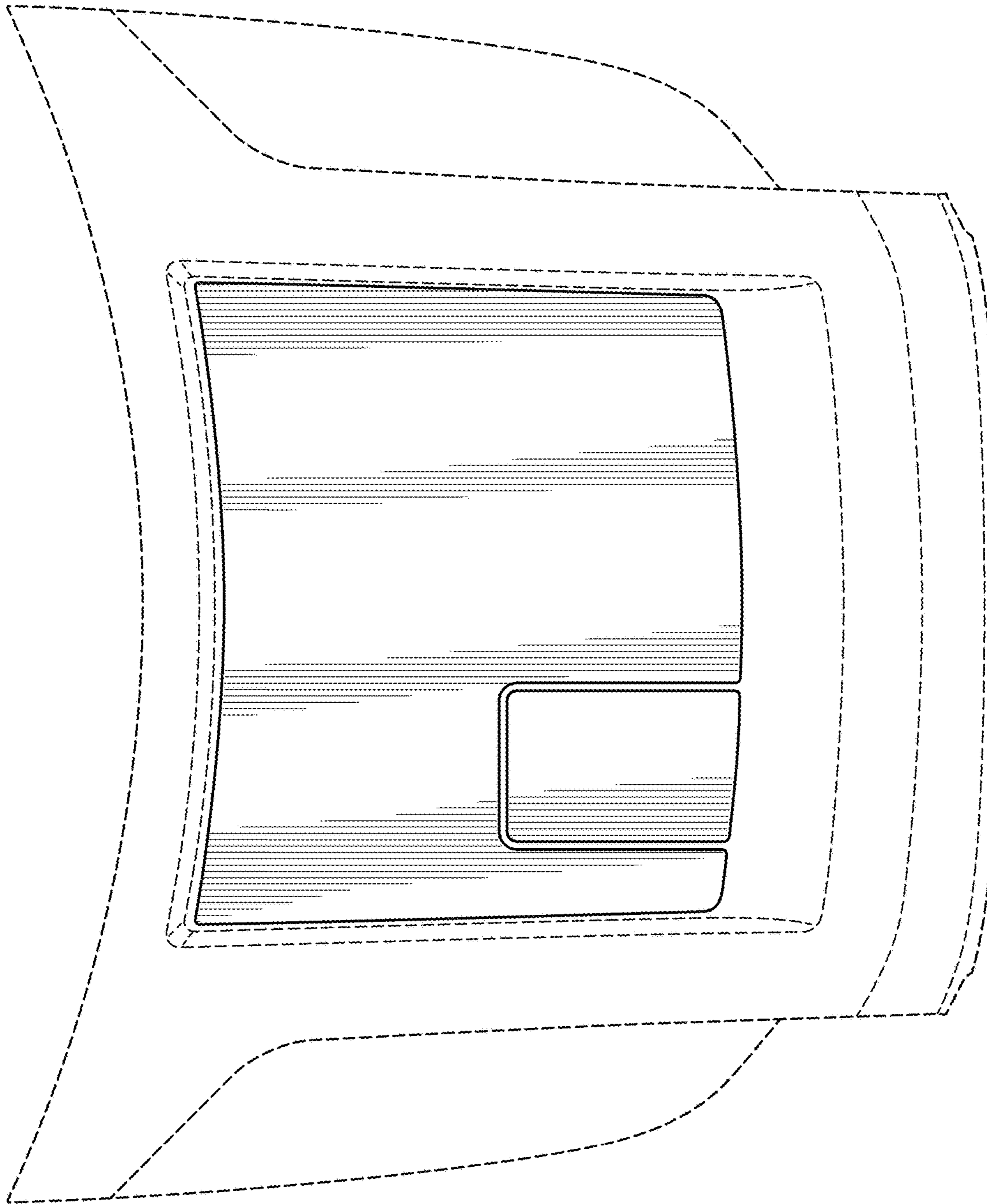


FIG. 5