



US00D928044S

(12) **United States Design Patent** (10) **Patent No.:** **US D928,044 S**
Yagi et al. (45) **Date of Patent:** **** Aug. 17, 2021**

(54) **REAR BUMPER FOR AN AUTOMOBILE**

(71) Applicants: **Masaaki Yagi**, Miyoshi (JP); **Yuma Hoshino**, Hino (JP); **Kenichi Okamura**, Toyota (JP)

(72) Inventors: **Masaaki Yagi**, Miyoshi (JP); **Yuma Hoshino**, Hino (JP); **Kenichi Okamura**, Toyota (JP)

(73) Assignee: **TOYOTA JIDOSHA KABUSHIKI KAISHA**

(**) Term: **15 Years**

(21) Appl. No.: **29/707,109**

(22) Filed: **Sep. 26, 2019**

(30) **Foreign Application Priority Data**

Mar. 28, 2019 (JP) 2019-006713

(51) **LOC (13) Cl.** **12-16**

(52) **U.S. Cl.**
USPC **D12/169**

(58) **Field of Classification Search**
USPC D12/163, 196, 86, 90-92, 169, 190, 98,
D12/164; 293/102, 113, 115, 117, 120,
293/193.11; 296/180.1, 180.2; 180/68.1,
180/68.6

CPC B60R 19/02; B60R 19/04; B62D 25/08
See application file for complete search history.

(56) **References Cited**

U.S. PATENT DOCUMENTS

D814,985 S * 4/2018 Peat D12/169
D820,739 S * 6/2018 Suga D12/169
D824,300 S * 7/2018 Badstuebner D12/169
D841,535 S * 2/2019 Buckingham D12/169
D841,536 S * 2/2019 Ojea D12/169
D843,277 S * 3/2019 Ojea D12/169

D904,250 S * 12/2020 Wheel D12/169
D913,873 S * 3/2021 Murakami D12/169
D913,875 S * 3/2021 Bischoff D12/169
D913,876 S * 3/2021 Bischoff D12/169

OTHER PUBLICATIONS

netcarshow.com, Maserati Levante Trofeo (2019), <https://www.netcarshow.com/maserati/2019-levante_trofeo/>, available as early as Feb. 21, 2019.

netcarshow.com, Lexus NX (2018), <<https://www.netcarshow.com/lexus/2018-nx/>>, available as early as Feb. 21, 2019.

netcarshow.com, Toyota Camry (2018), <<https://www.netcarshow.com/toyota/2018-camry/>>, available as early as Feb. 21, 2019.

* cited by examiner

Primary Examiner — Melody N Brown

(74) *Attorney, Agent, or Firm* — Saidman DesignLaw Group, LLC

(57) **CLAIM**

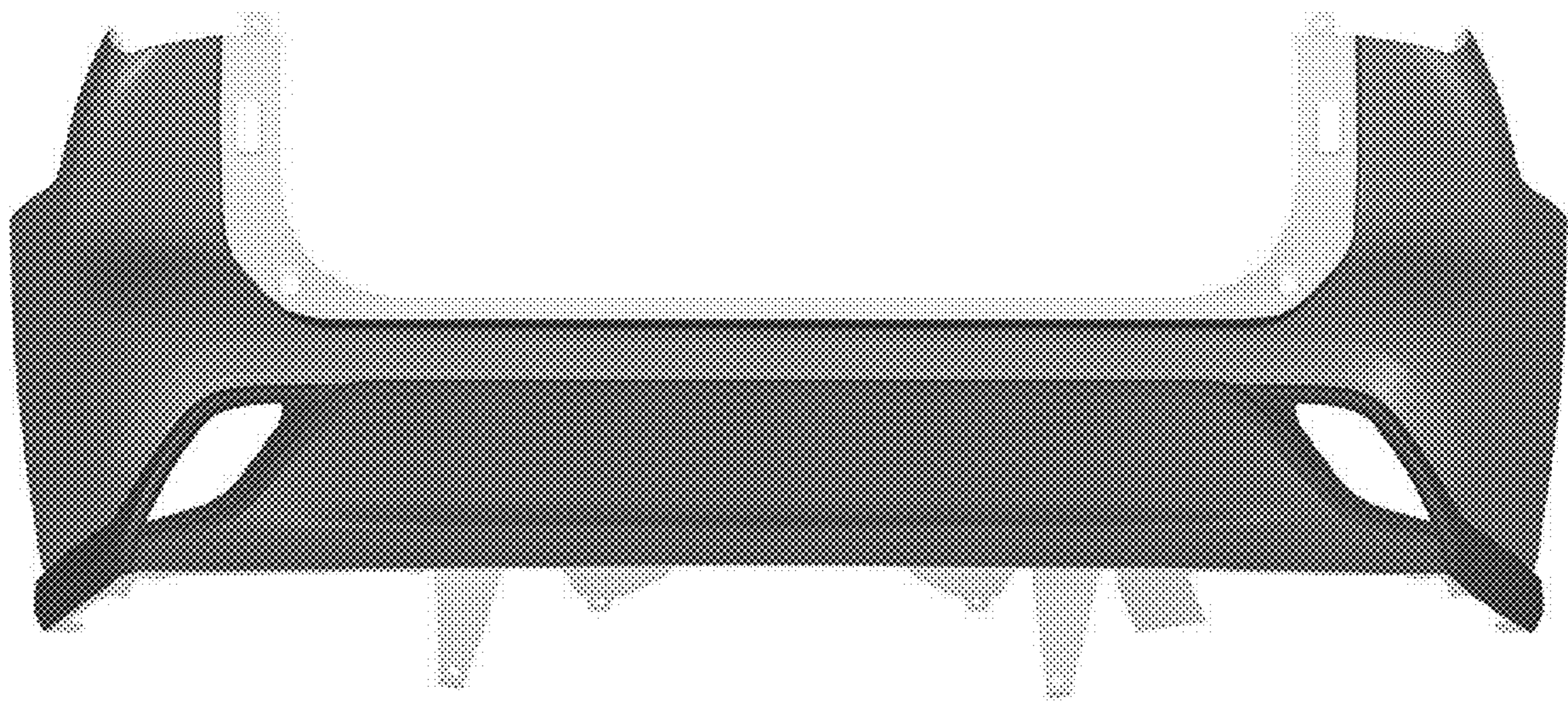
The ornamental design for a rear bumper for an automobile, as shown and described.

DESCRIPTION

FIG. 1 is a perspective view of a rear bumper for an automobile showing our new design; FIG. 2 is a front view thereof; FIG. 3 is a rear view thereof; FIG. 4 is a right side view thereof; FIG. 5 is a left side view thereof; FIG. 6 is a top view thereof; and, FIG. 7 is a bottom view thereof.

The claimed design is indicated by the relatively dark portions in the figures. The relatively light portions form no part of the claimed design.

1 Claim, 7 Drawing Sheets



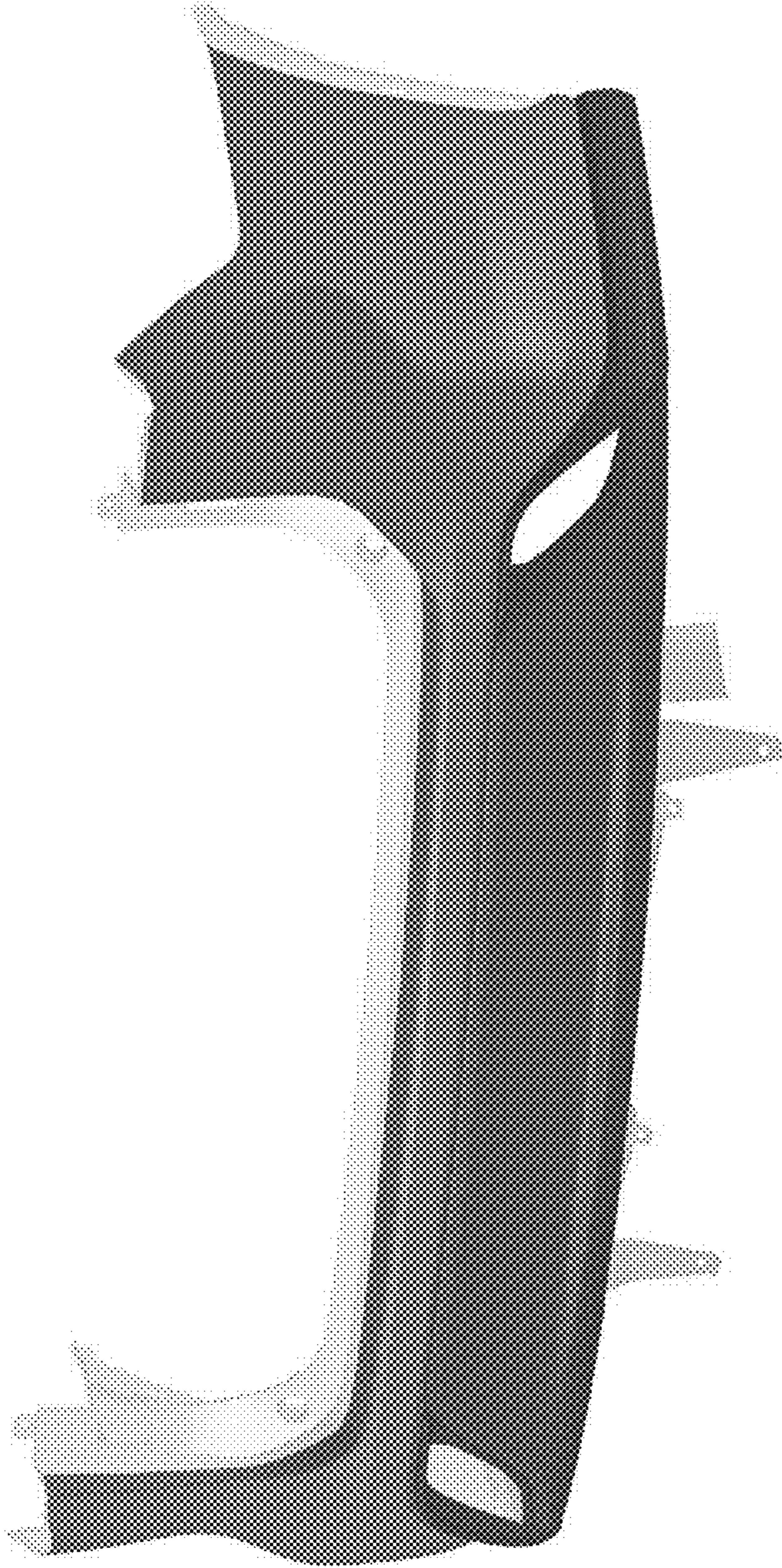


FIG. 1

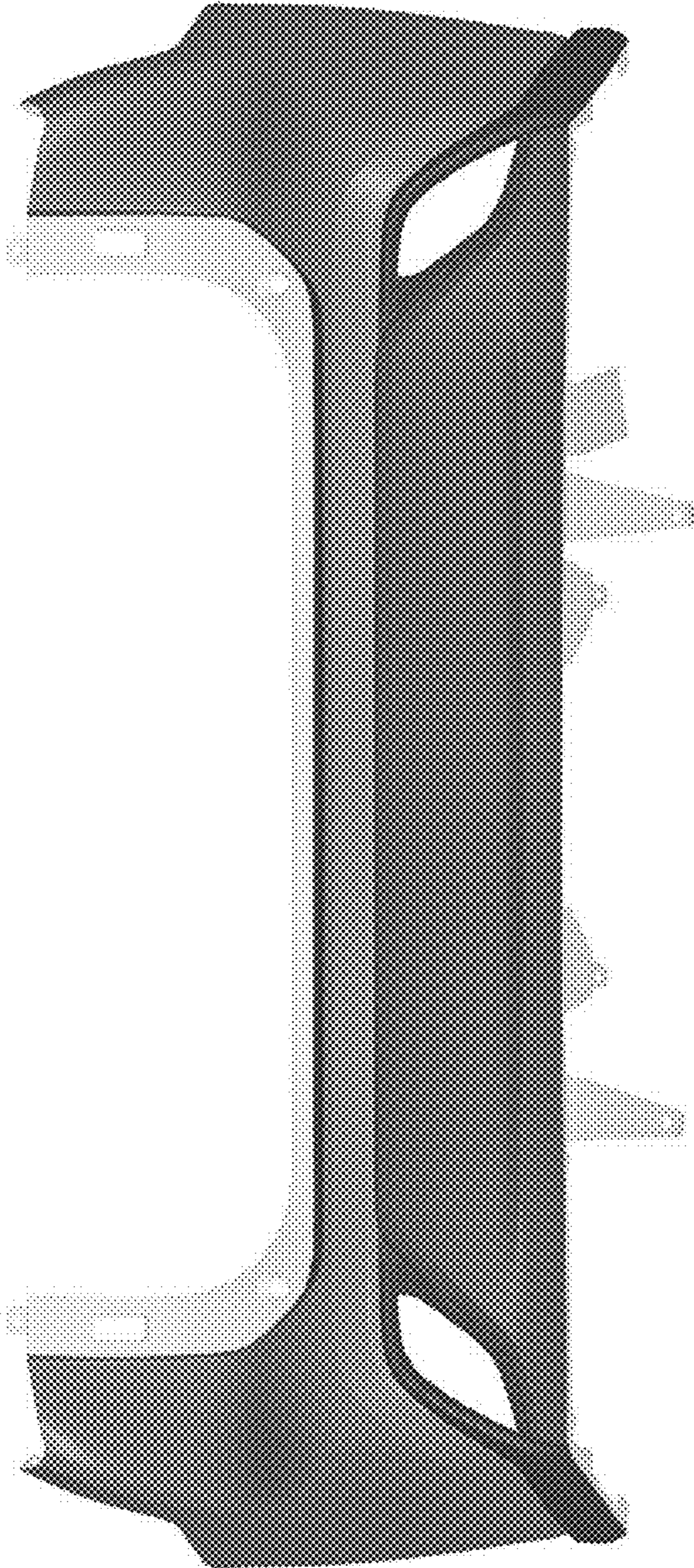


FIG. 2

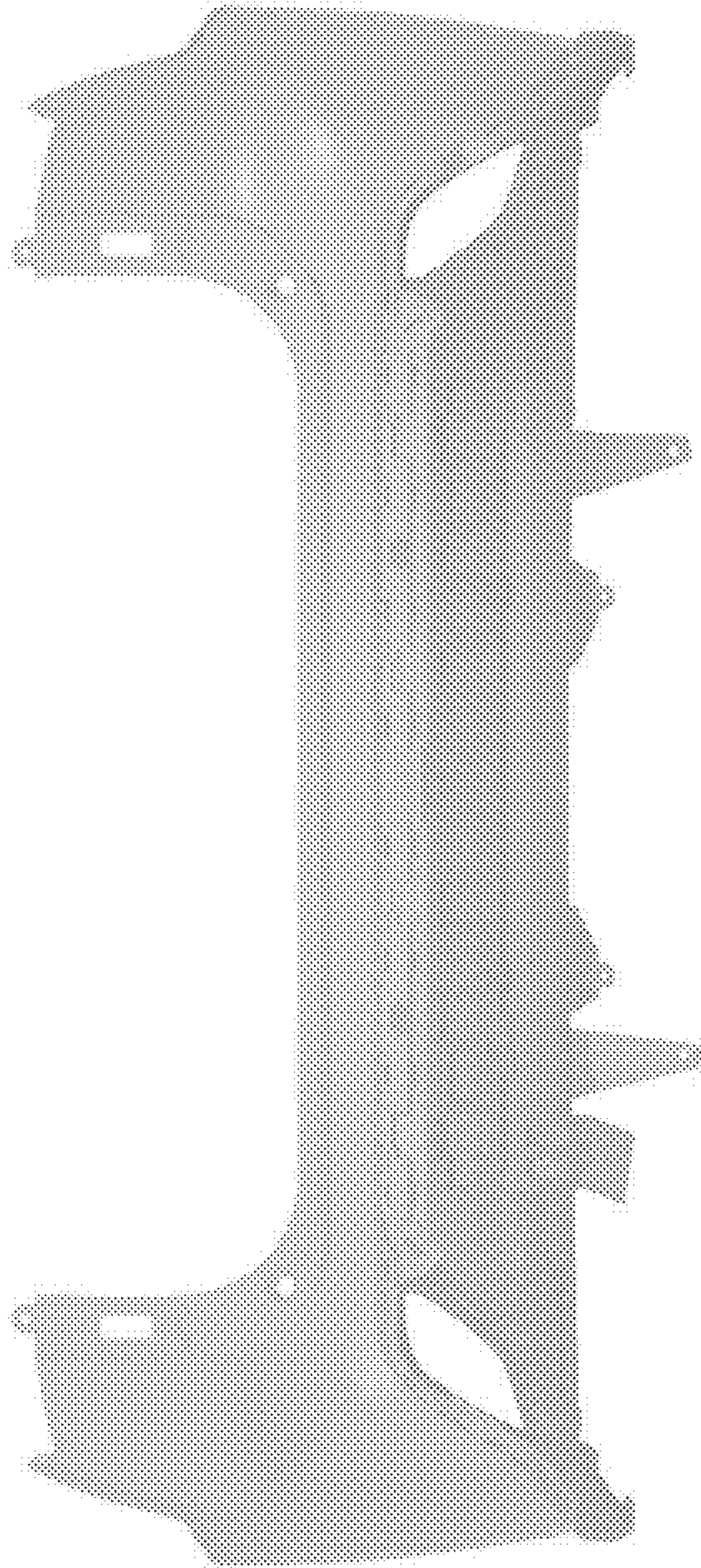


FIG. 3

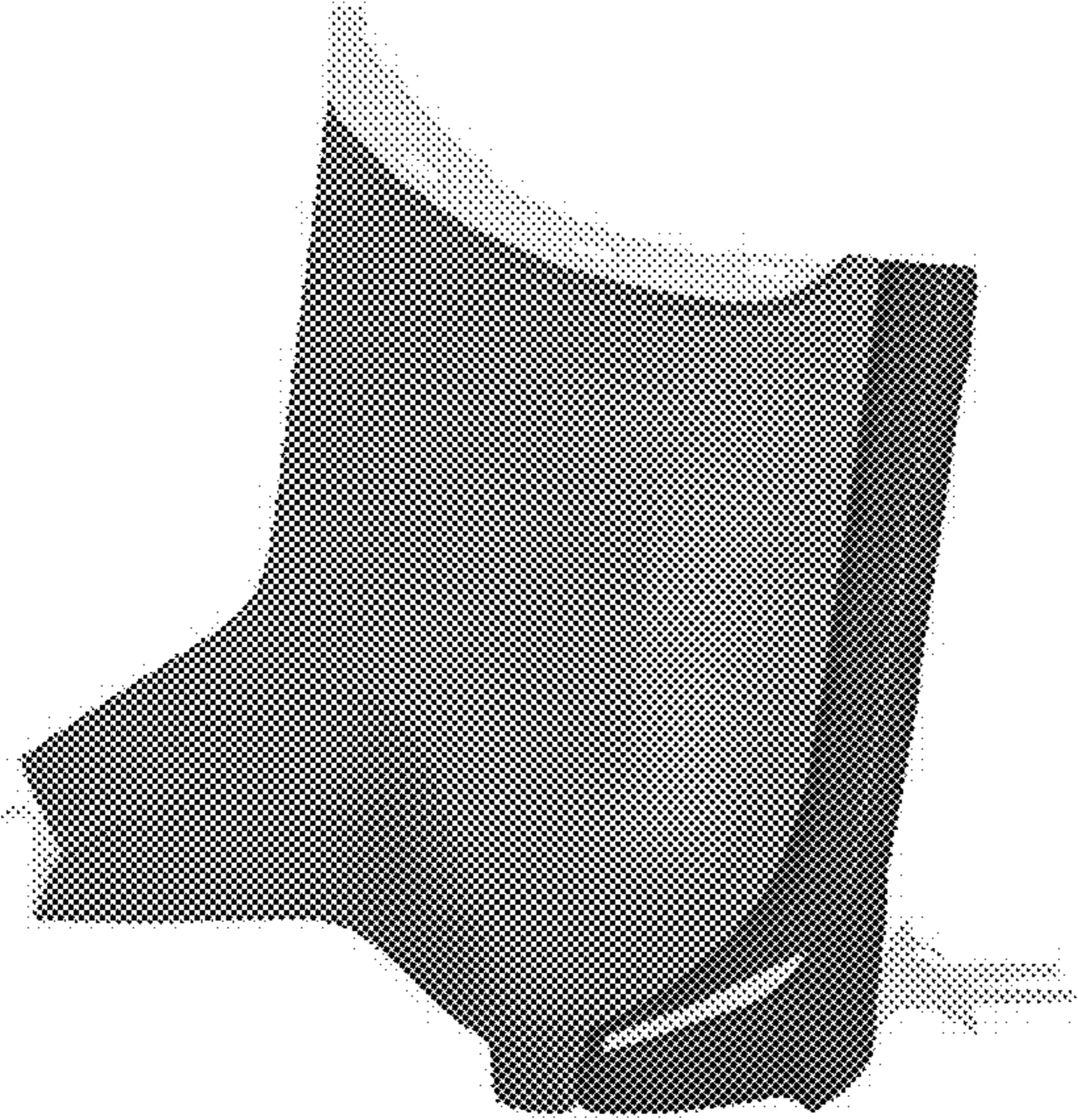


FIG. 4

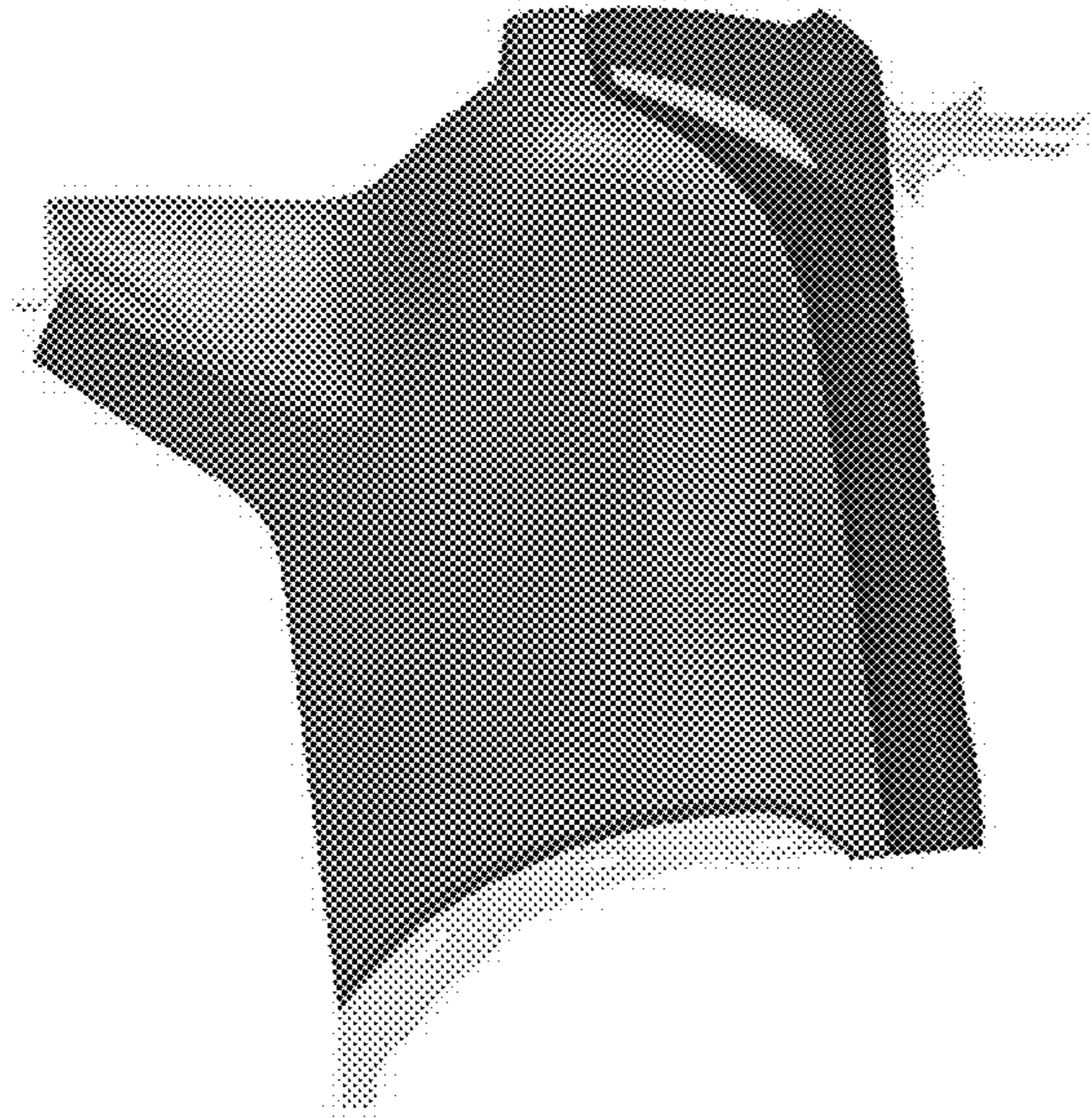


FIG. 5

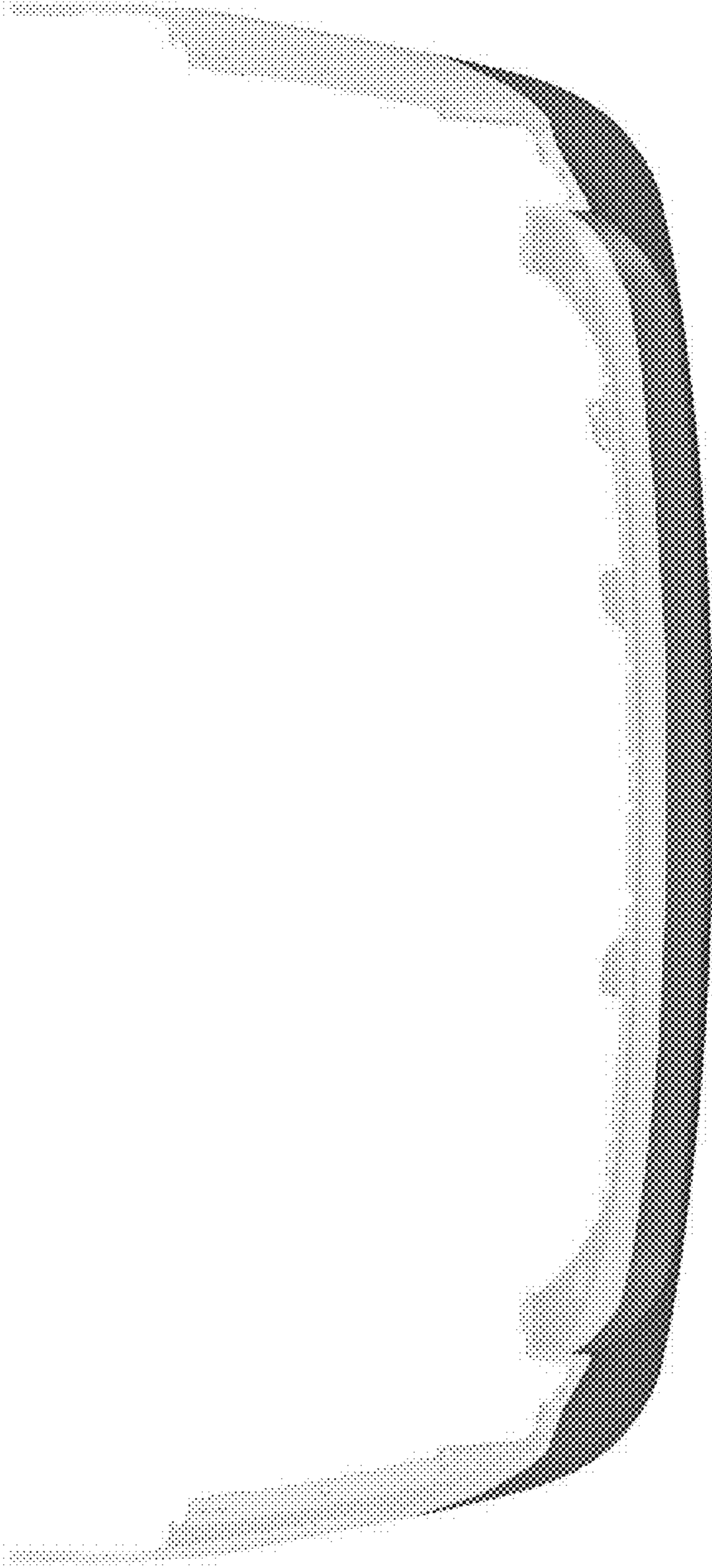


FIG. 6

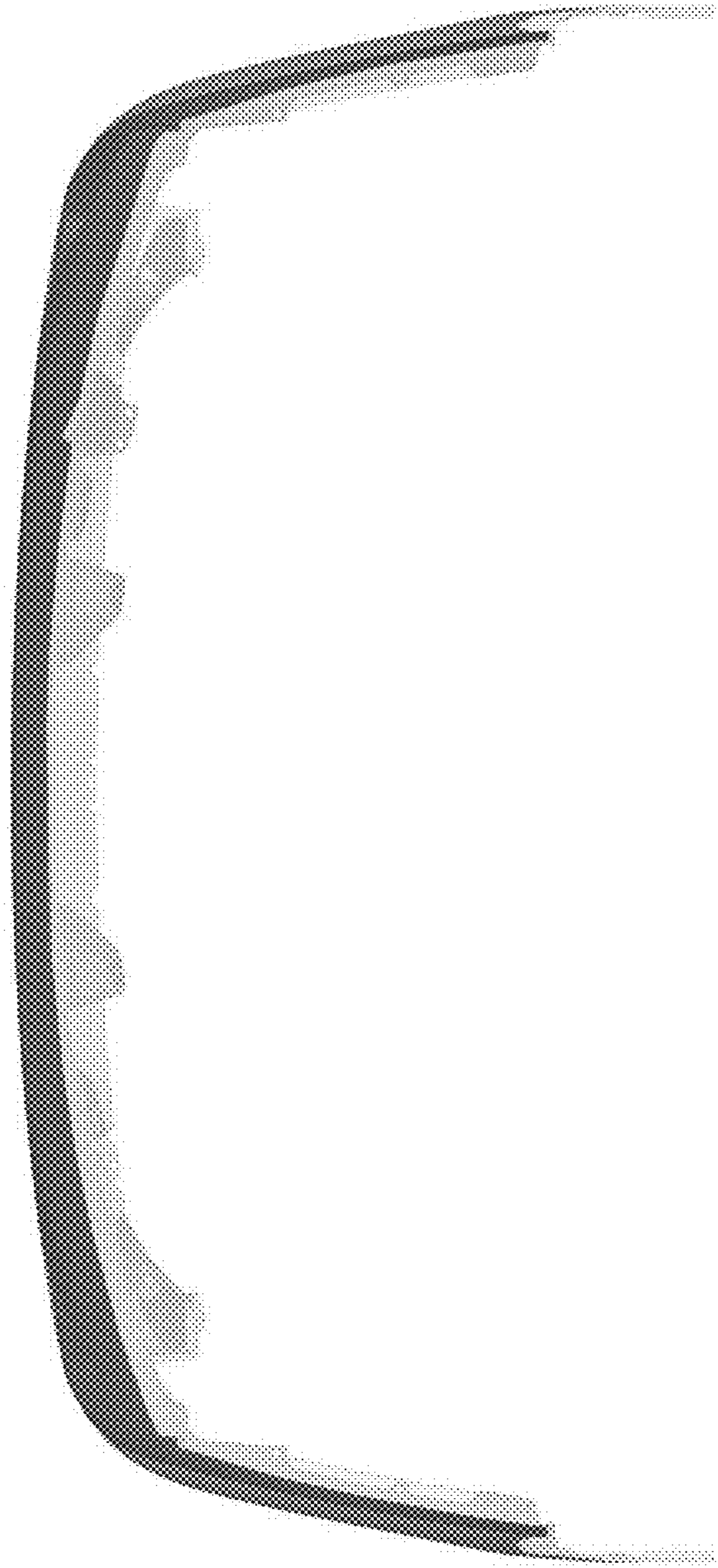


FIG. 7