



US00D928043S

(12) **United States Design Patent** (10) **Patent No.:** **US D928,043 S**  
**Sielaff** (45) **Date of Patent:** **\*\* Aug. 17, 2021**

(54) **AUTOMOBILE REAR END**  
(71) Applicant: **Bentley Motors Limited**, Crewe (GB)  
(72) Inventor: **Stefan Hans Sielaff**, Munich (DE)  
(73) Assignee: **Bentley Motors Limited**, Cheshire (GB)  
(\*\*) Term: **15 Years**  
(21) Appl. No.: **29/692,268**  
(22) Filed: **May 23, 2019**

D835,004 S \* 12/2018 Donckerwolke ..... D12/92  
D859,215 S \* 9/2019 Gregory ..... D12/92  
D859,235 S \* 9/2019 Gregory ..... D12/164

**FOREIGN PATENT DOCUMENTS**

EM 001907098-0005 8/2011  
EM 004164598-0004 8/2017

\* cited by examiner

*Primary Examiner* — Melody N Brown  
(74) *Attorney, Agent, or Firm* — Tarolli, Sundheim, Covell & Tummino LLP; John A. Yirga, Esq.

(30) **Foreign Application Priority Data**

Nov. 23, 2018 (EM) ..... 005833258

(51) **LOC (13) Cl.** ..... **12-16**

(52) **U.S. Cl.**  
USPC ..... **D12/164**

(58) **Field of Classification Search**  
USPC .... D12/86, 90–92, 164; D21/424, 433, 434,  
D21/533; 296/181.1–181.5, 183.1  
CPC ..... B62D 25/00; B62D 25/06; B62D 33/00;  
B62D 35/00  
See application file for complete search history.

(56) **References Cited**

**U.S. PATENT DOCUMENTS**

D558,642 S \* 1/2008 van Braeckel ..... D12/92  
D574,752 S \* 8/2008 van Braeckel ..... D12/92  
D658,545 S \* 5/2012 Van Braeckel ..... D12/91  
D662,865 S \* 7/2012 Van Braeckel ..... D12/164  
D753,031 S \* 4/2016 van Braeckel ..... D12/164  
D758,248 S \* 6/2016 Donckerwolke ..... D12/92  
D782,367 S \* 3/2017 Donckerwolke ..... D12/92  
D811,939 S \* 3/2018 Lee ..... D12/91  
D824,295 S \* 7/2018 Donckerwolke ..... D12/164  
D825,386 S \* 8/2018 Donckerwolke ..... D12/92

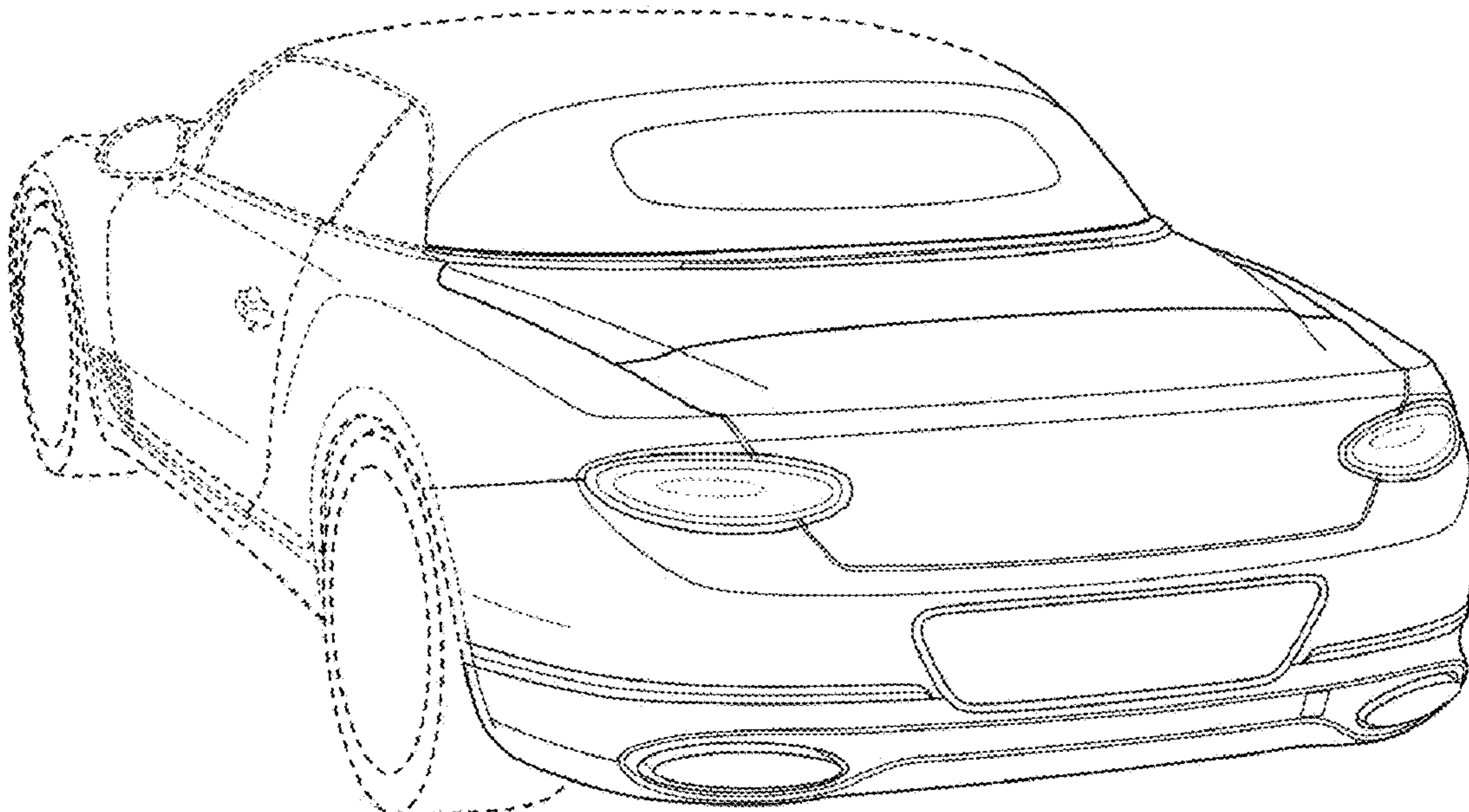
(57) **CLAIM**

The ornamental design for a motor car, as shown and described.

**DESCRIPTION**

FIG. 1 is a front elevational view of an automobile front end showing my new design;  
FIG. 2 is a right, front perspective view thereof;  
FIG. 3 is a top plan view thereof;  
FIG. 4 is a rear elevational view thereof;  
FIG. 5 is a right, rear perspective view thereof;  
FIG. 6 is a right side elevational view thereof;  
FIG. 7 is another right side elevational view thereof with the portion of the convertible roof top that is claimed as part of the claimed design in downward position;  
FIG. 8 is a left side elevational view thereof; and,  
FIG. 9 is another left side elevational view with the portion of the convertible roof top that is claimed as part of the claimed design in downward position.  
The portions of the automobile shown in broken lines are for environmental and illustrative purposes and form no part of the claimed design.

**1 Claim, 9 Drawing Sheets**



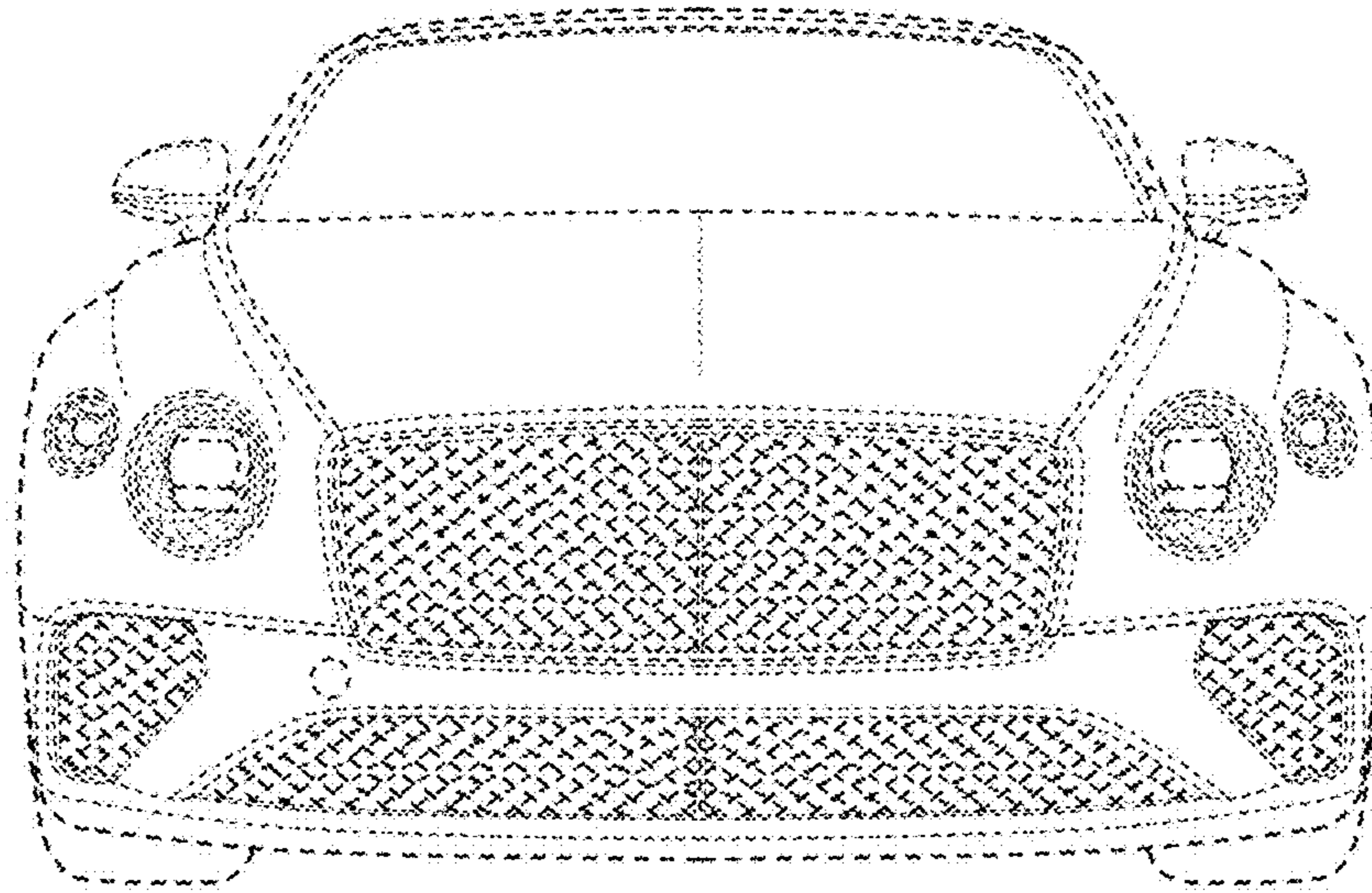


FIG. 1

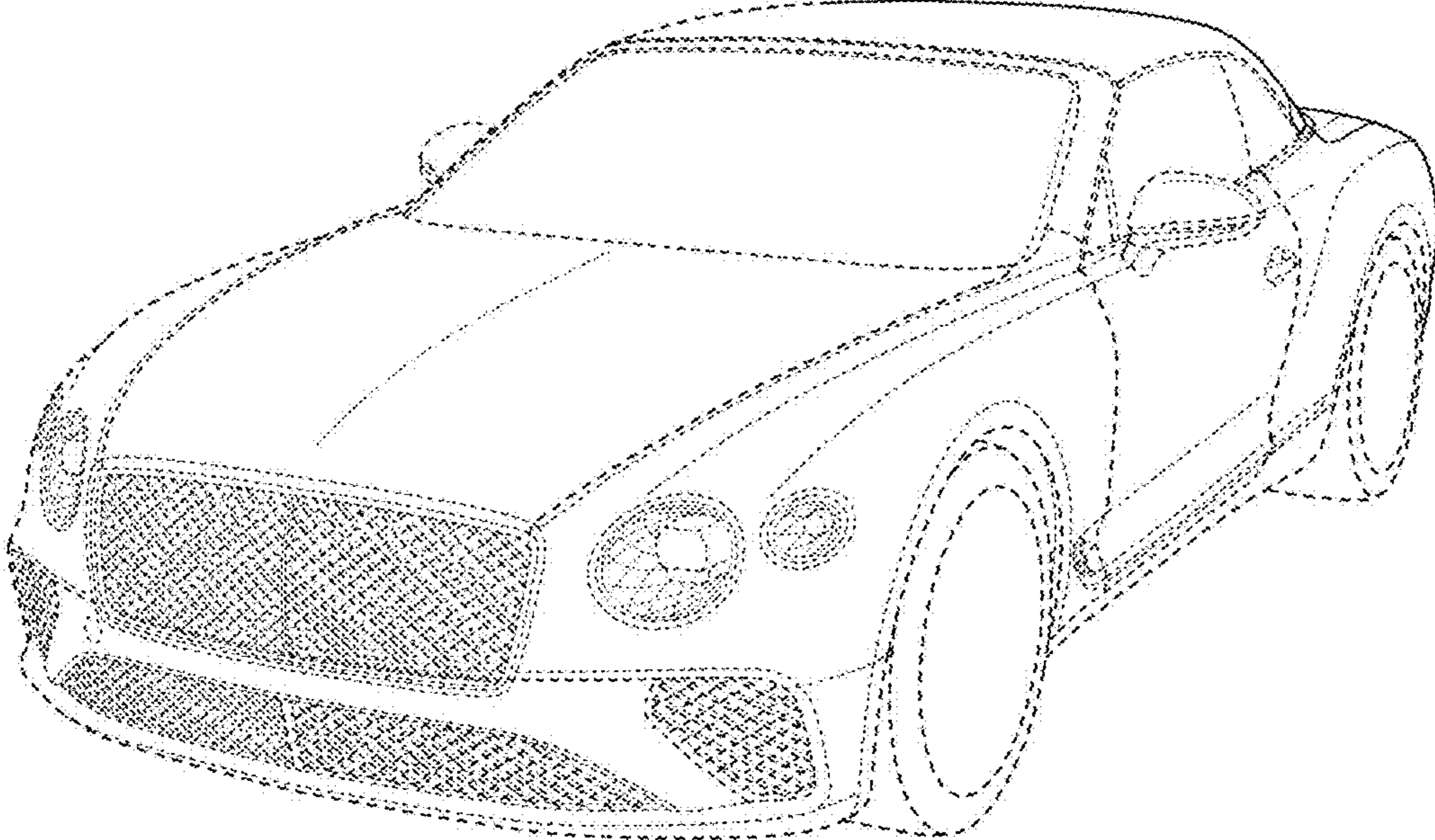


FIG. 2



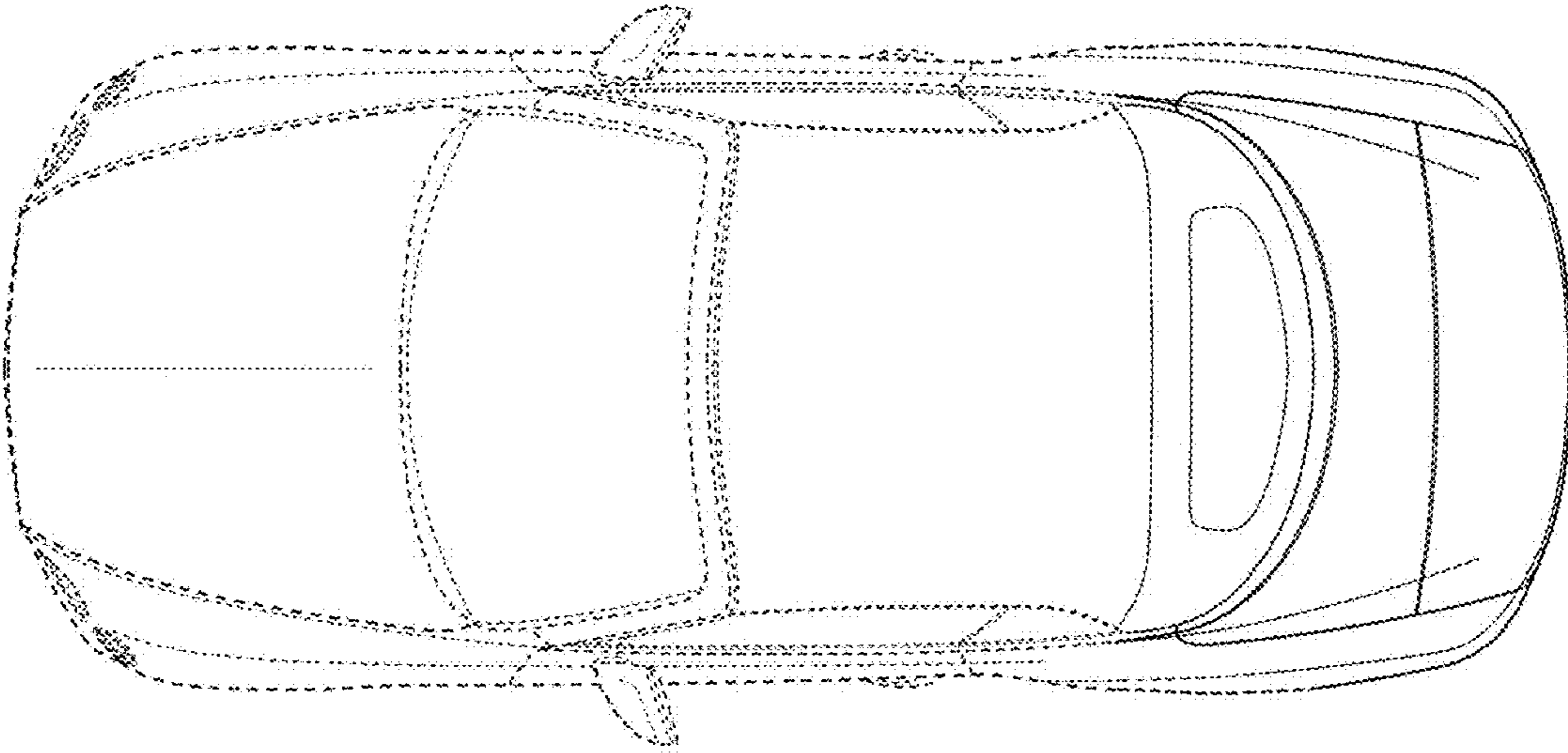


FIG. 3

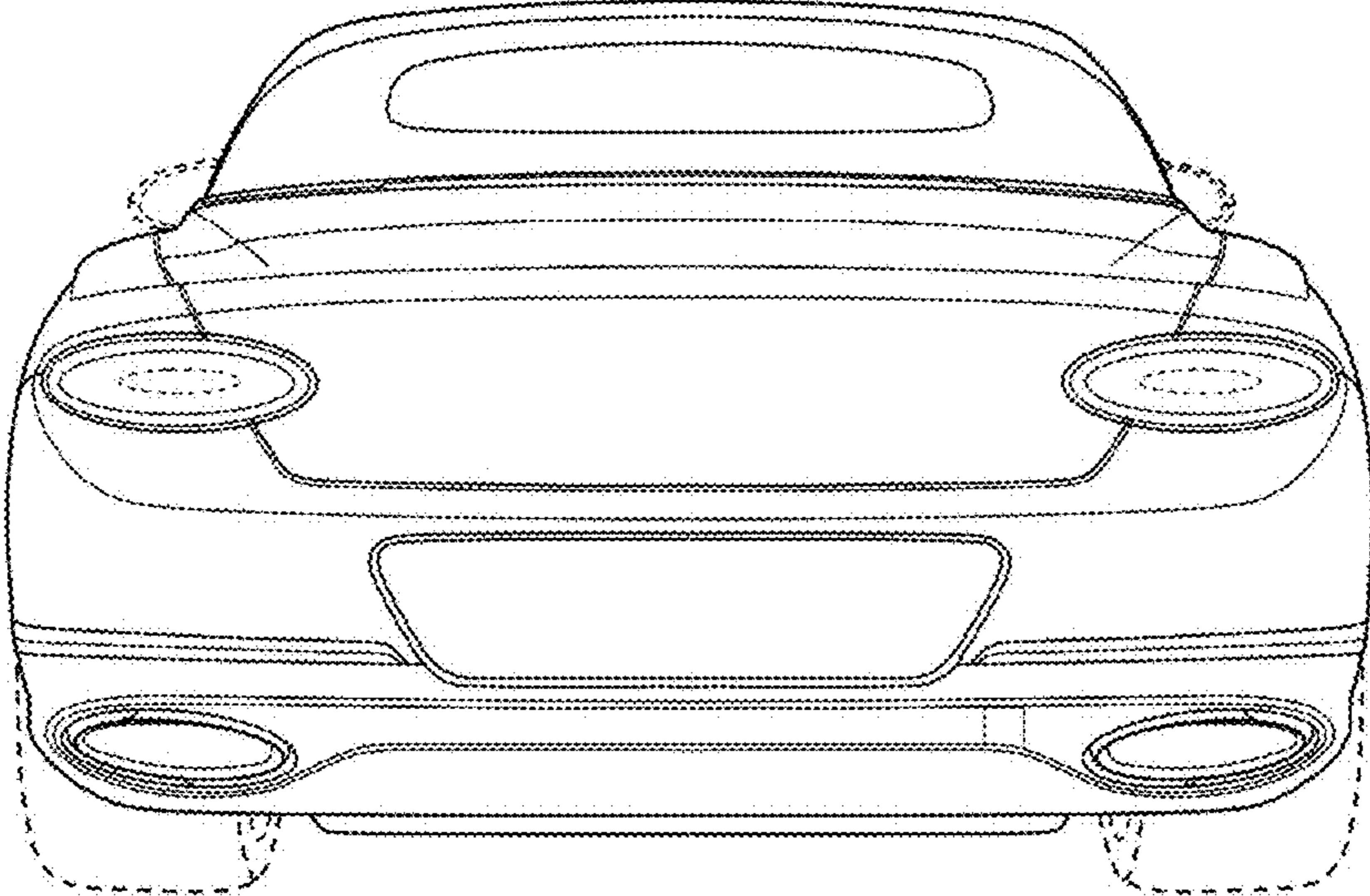


FIG. 4

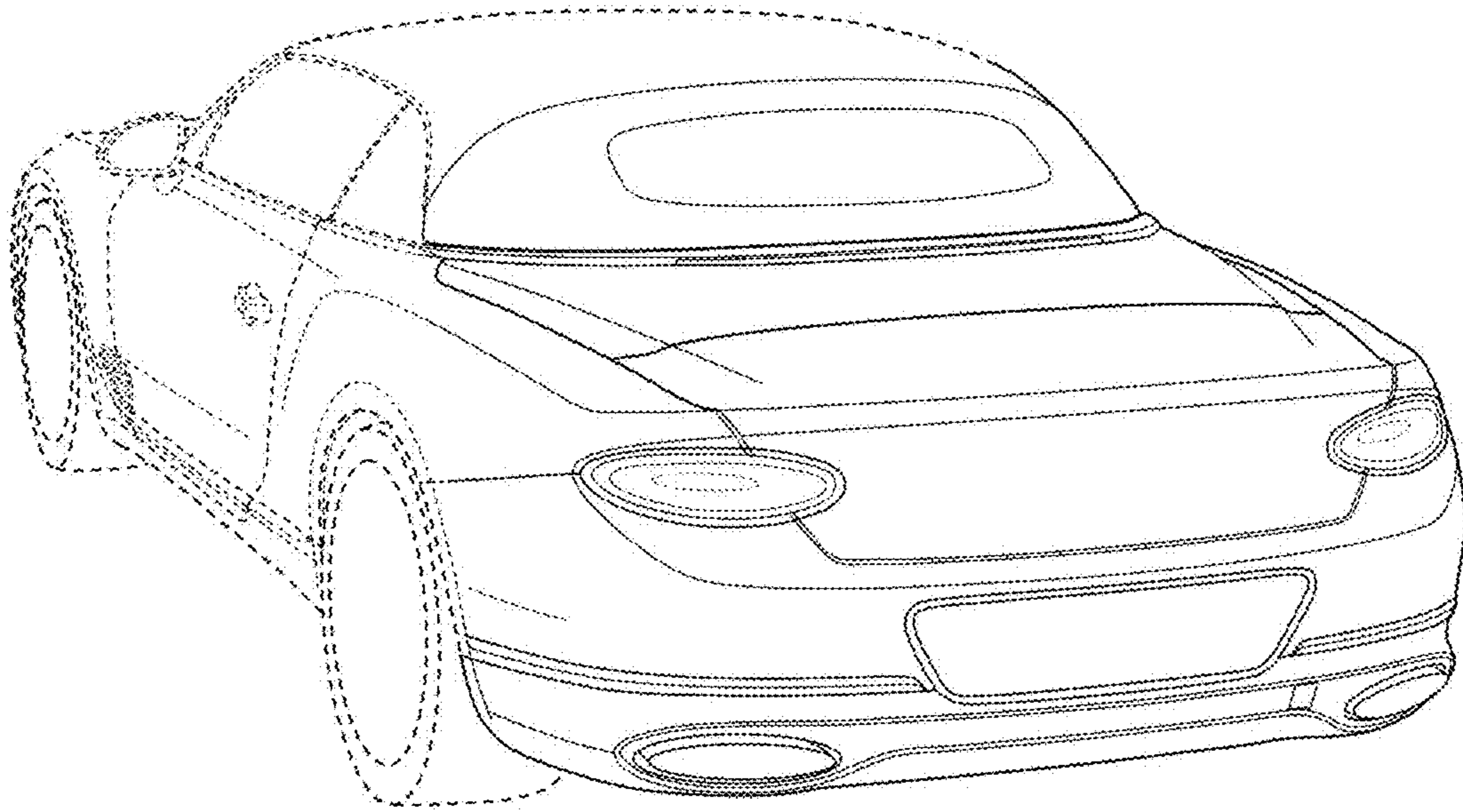


FIG. 5

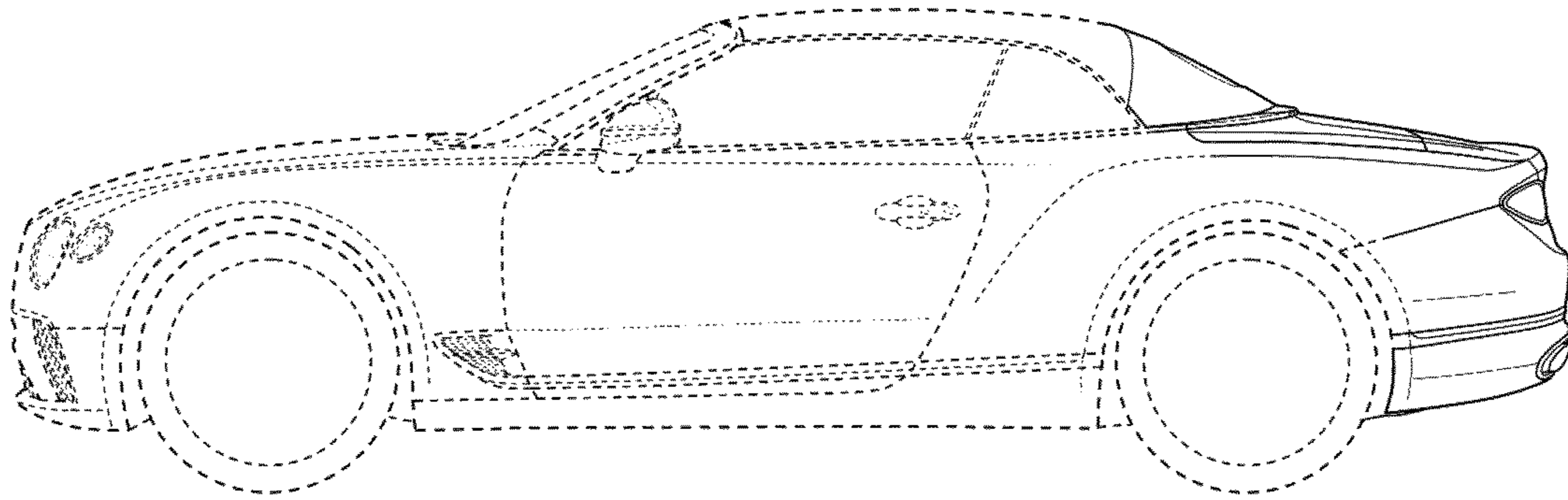


FIG. 6

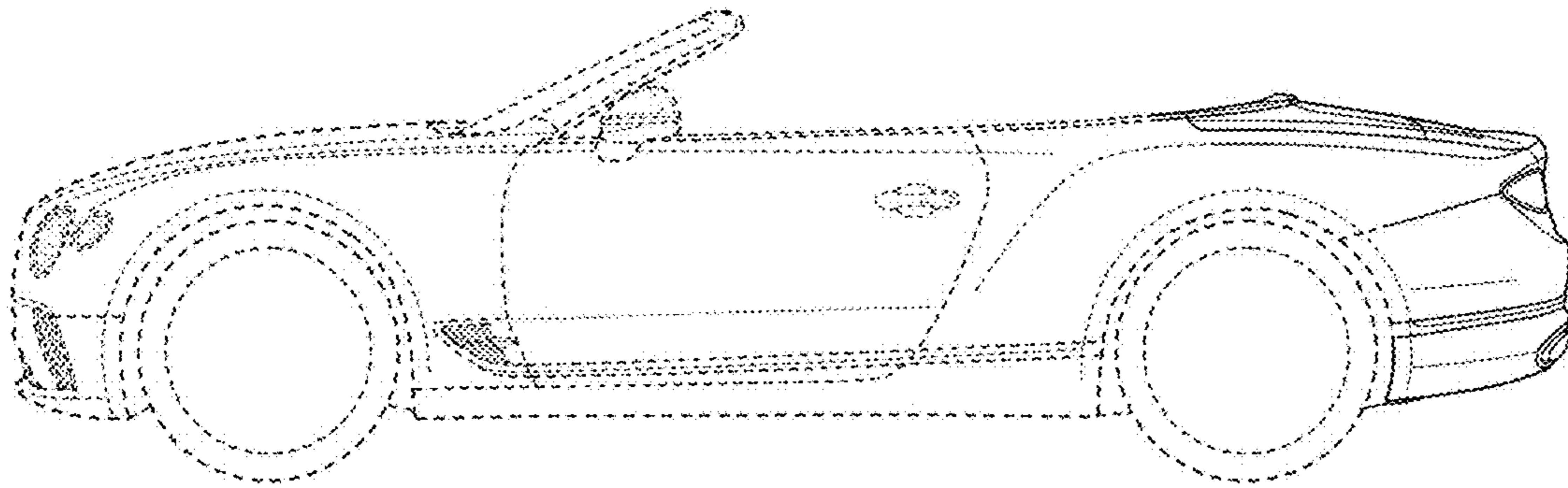


FIG. 7



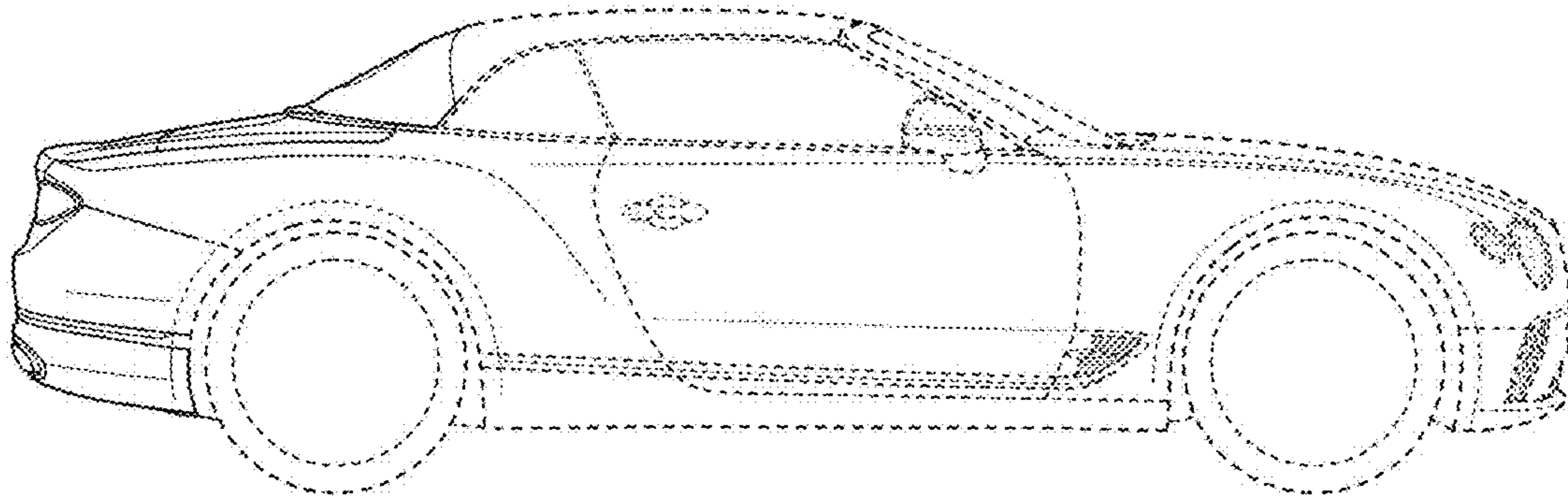


FIG. 8

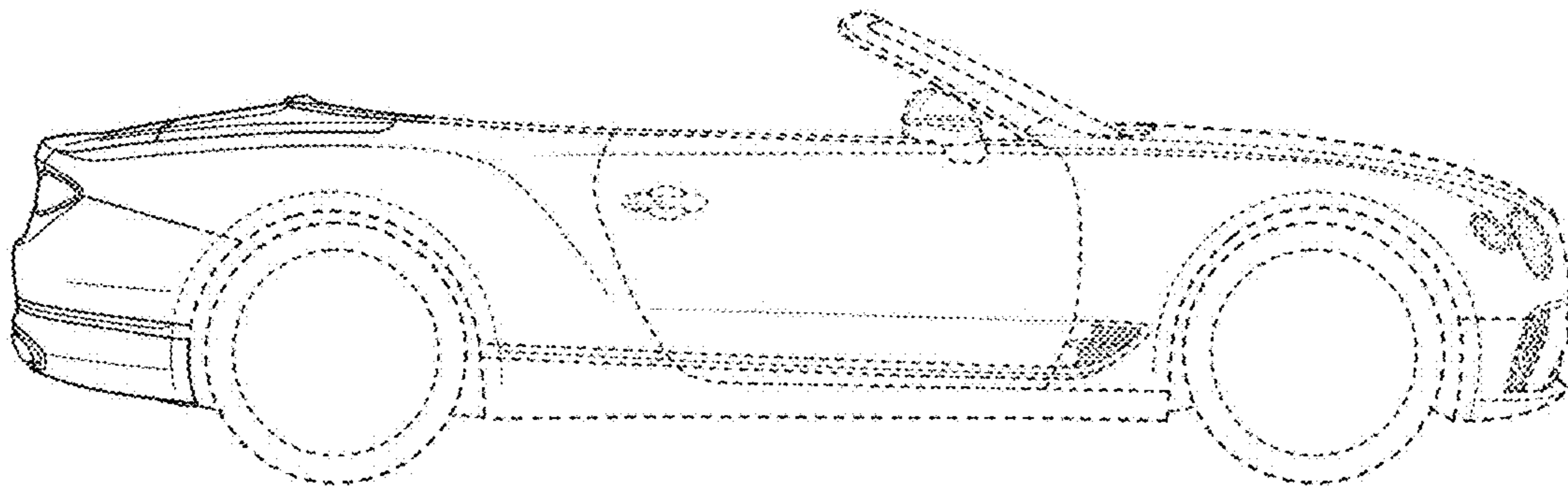


FIG. 9