



US00D928042S

(12) **United States Design Patent**  
**Thomas Barrett**

(10) **Patent No.:** **US D928,042 S**  
(45) **Date of Patent:** **\*\* Aug. 17, 2021**

(54) **CHAIR STANDING AID**  
(71) Applicant: **Nadia Thomas Barrett**, Hollywood, FL (US)  
(72) Inventor: **Nadia Thomas Barrett**, Hollywood, FL (US)  
(\*\*) Term: **15 Years**

7,156,465 B2 \* 1/2007 Stewart, III ..... A47C 7/54  
297/411.36  
7,862,122 B1 \* 1/2011 Shammas ..... B60N 3/02  
297/411.23  
9,241,854 B2 \* 1/2016 Gentile ..... A61G 5/14  
10,136,732 B2 \* 11/2018 Schroeder ..... A47C 7/546  
D860,701 S \* 9/2019 Schroeder ..... D6/716  
D887,732 S \* 6/2020 Schroeder ..... D6/355  
10,905,613 B2 \* 2/2021 Lehman ..... A61G 5/14  
2018/0020836 A1 \* 1/2018 Schroeder ..... A47C 1/16  
297/250.1

(21) Appl. No.: **29/702,636**  
(22) Filed: **Aug. 21, 2019**  
(51) **LOC (13) Cl.** ..... **12-12**  
(52) **U.S. Cl.**  
USPC ..... **D12/133; D6/716**  
(58) **Field of Classification Search**  
USPC ..... D12/128, 133; D6/334-336, 355, 371,  
D6/372, 373, 374, 375, 716, 716.1, 716.2,  
D6/716.3, 716.4  
CPC ..... A61G 5/0891; A61G 5/14; A61G 7/053;  
A61G 7/1038; A47C 1/16; A47C 7/54;  
A47C 7/546; A47C 21/08; A47C 7/62;  
B60N 3/02  
See application file for complete search history.

\* cited by examiner

*Primary Examiner* — Mimoso De

(74) *Attorney, Agent, or Firm* — Sanchelima & Associates, P.A.; Christian Sanchelima; Jesus Sanchelima

(56) **References Cited**  
**U.S. PATENT DOCUMENTS**  
3,679,260 A \* 7/1972 Morse-Brown ..... A61G 5/14  
297/338  
5,226,439 A \* 7/1993 O’Keeffe ..... A47C 7/62  
297/DIG. 10  
D350,238 S \* 9/1994 Ward ..... D6/335  
D373,336 S \* 9/1996 Classen ..... D12/133  
6,779,848 B1 \* 8/2004 Sanders ..... A61G 5/14  
297/339

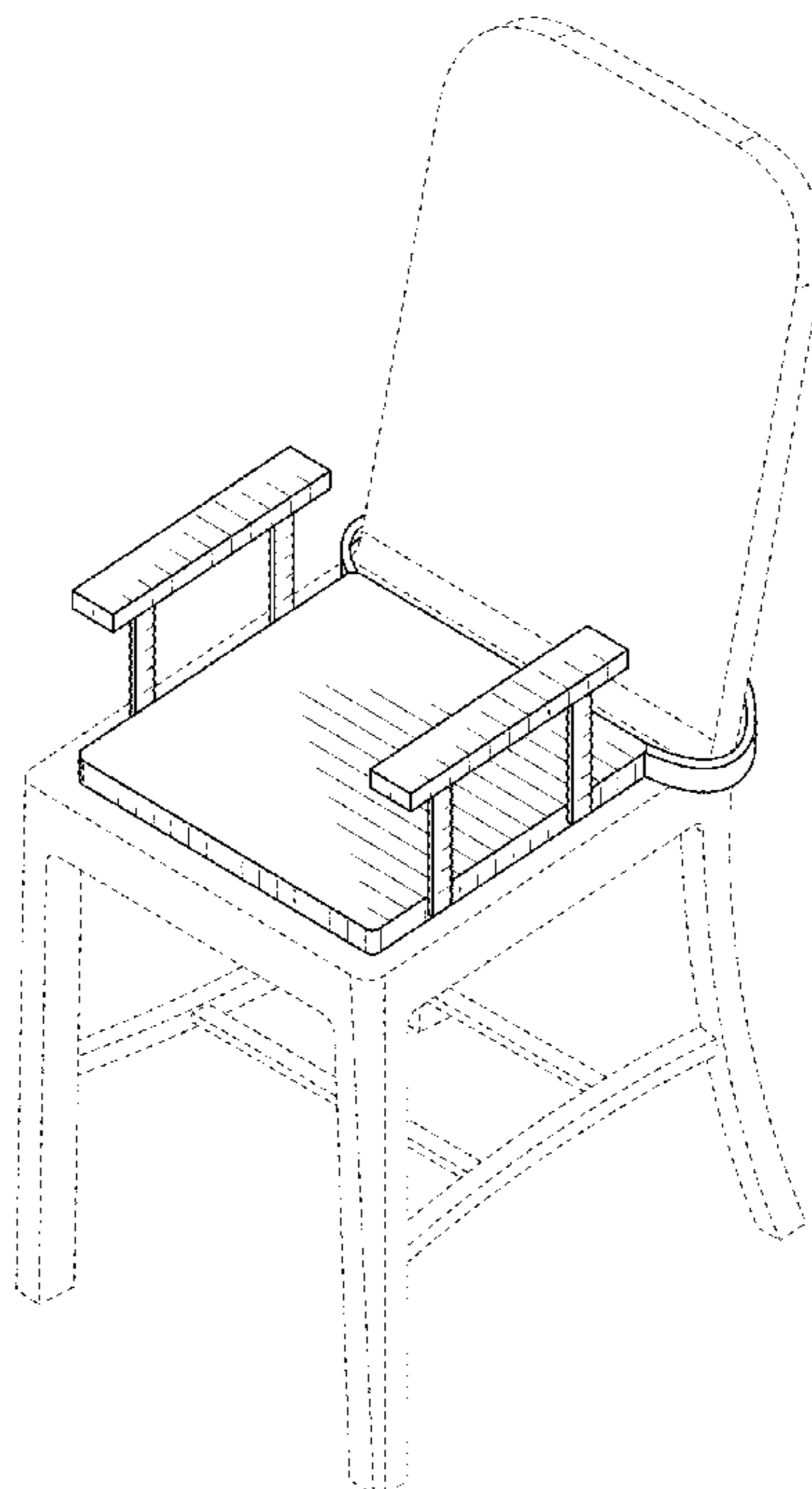
(57) **CLAIM**

The ornamental design for a chair standing aid, as shown and described.

**DESCRIPTION**

FIG. 1 is an isometric view of a chair standing aid showing my new design;  
FIG. 2 is a front elevational view thereof;  
FIG. 3 is a top planar view thereof;  
FIG. 4 is a bottom planar view thereof;  
FIG. 5 is a right elevational view thereof;  
FIG. 6 is a left side elevational view thereof; and,  
FIG. 7 is a rear elevational view thereof showing my design.  
No claim is made to the chair shown in broken lines, it is shown for illustration purposes only.

**1 Claim, 4 Drawing Sheets**



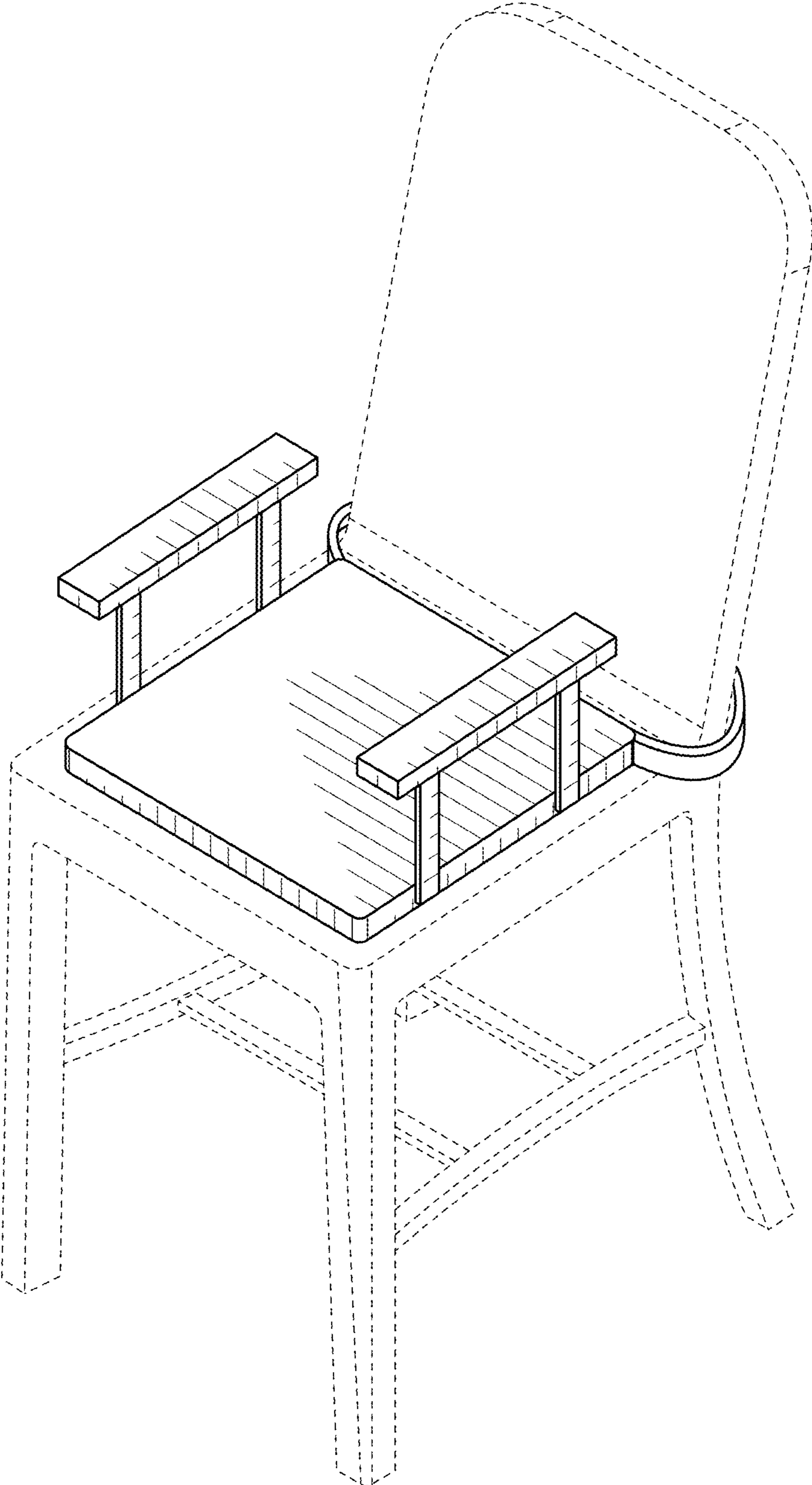


FIG. 1

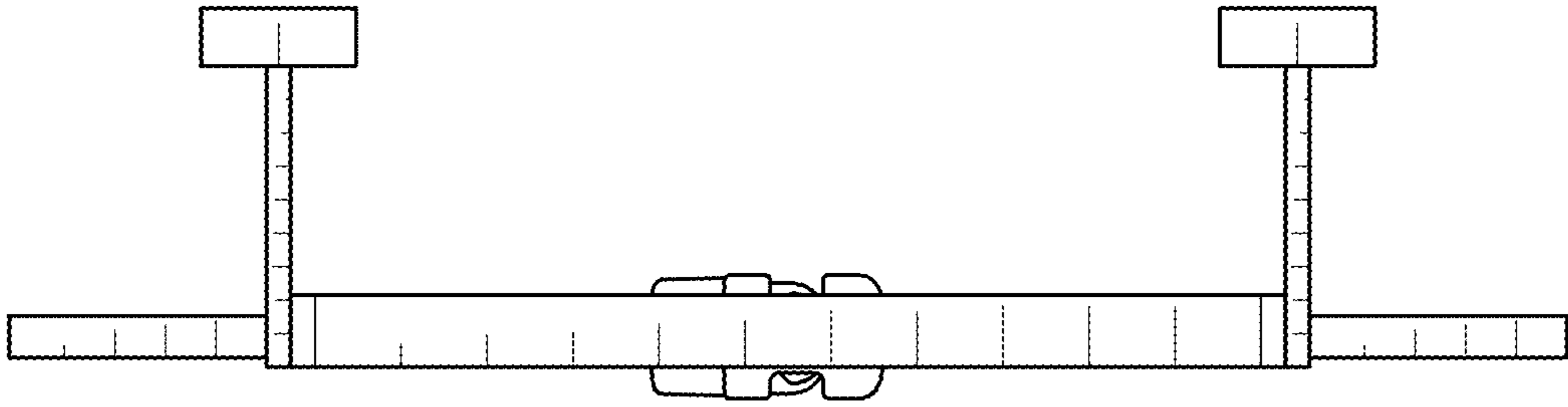


FIG. 2

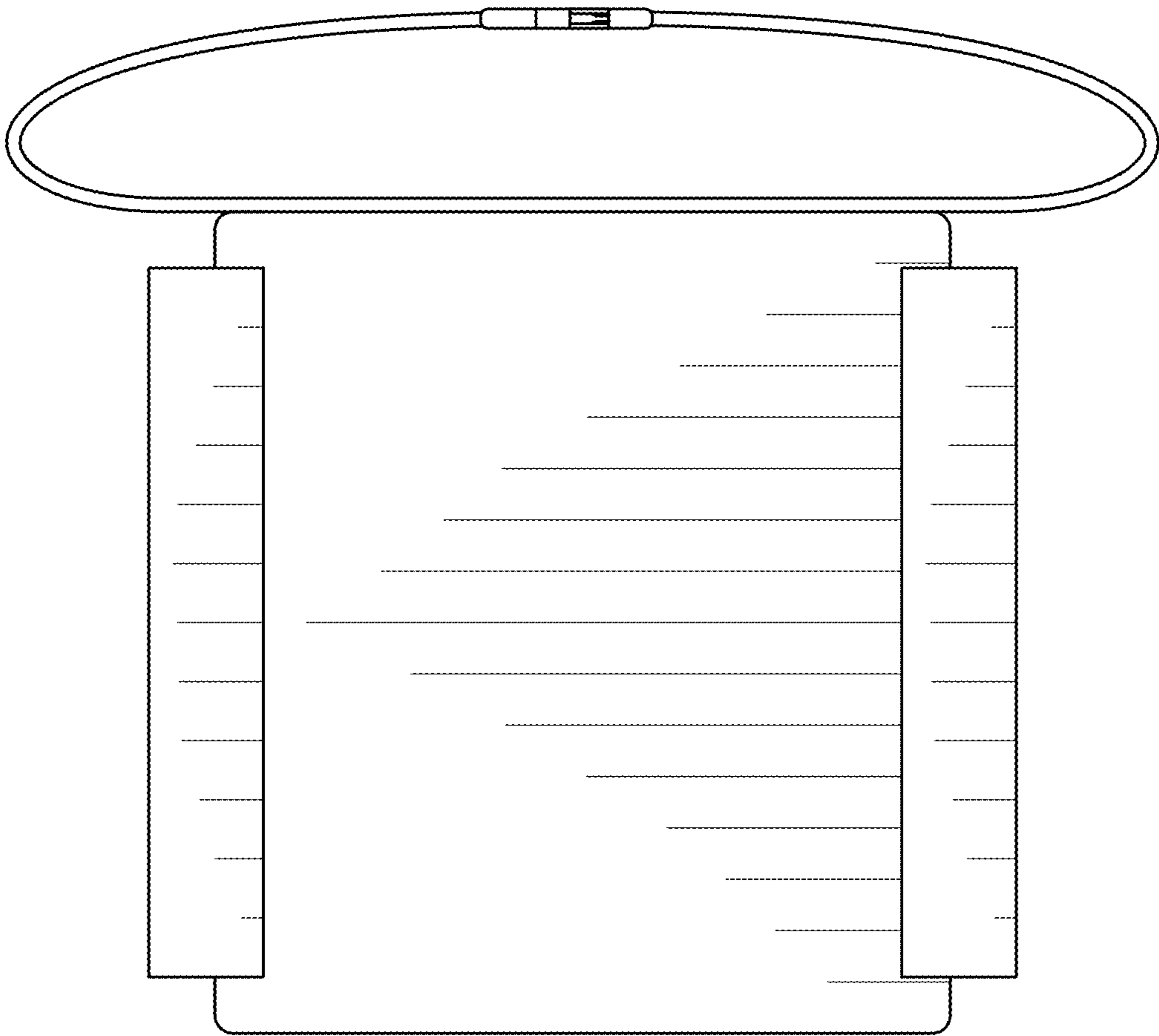


FIG. 3

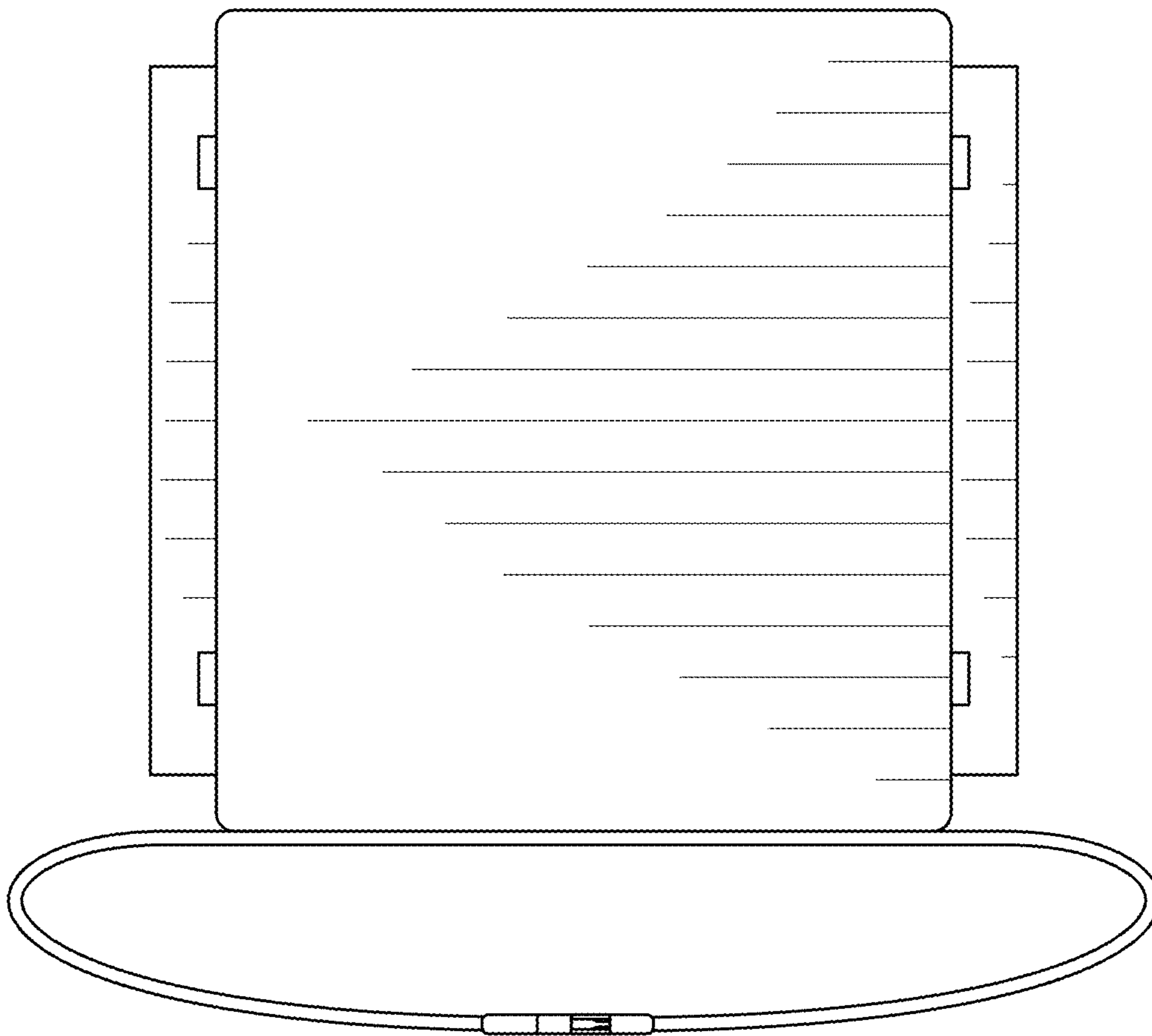


FIG. 4

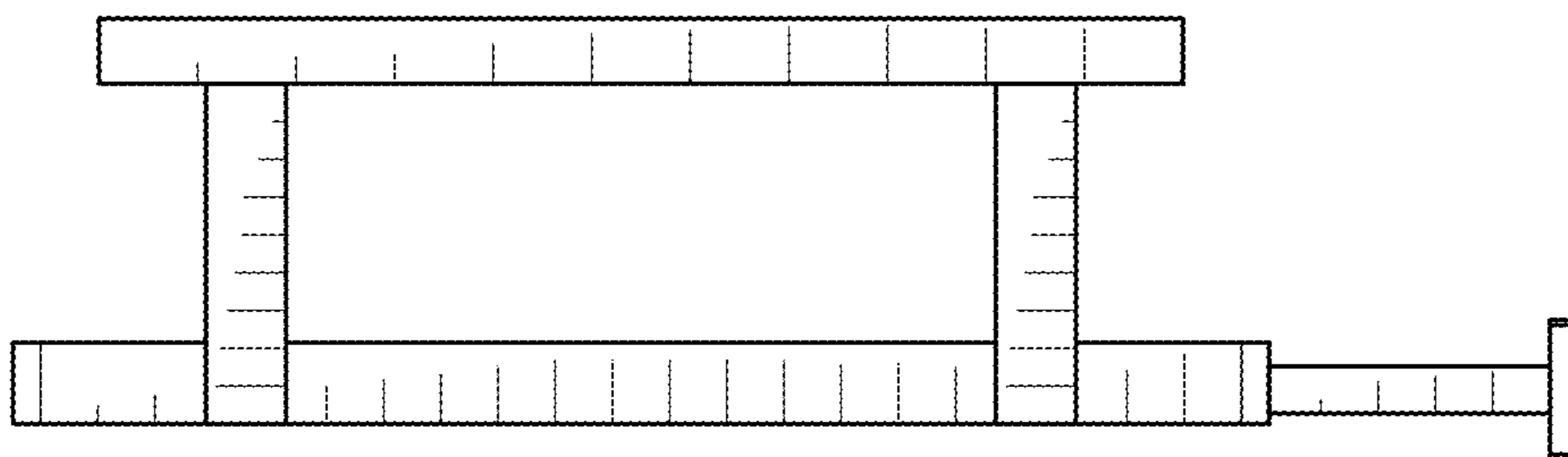


FIG. 5

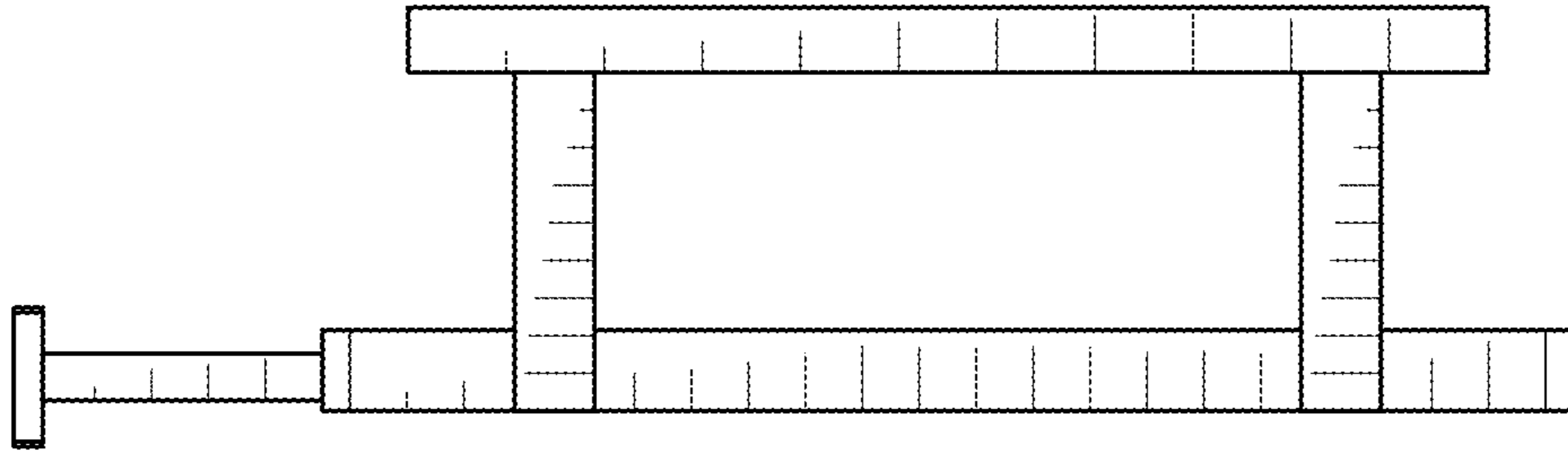


FIG. 6

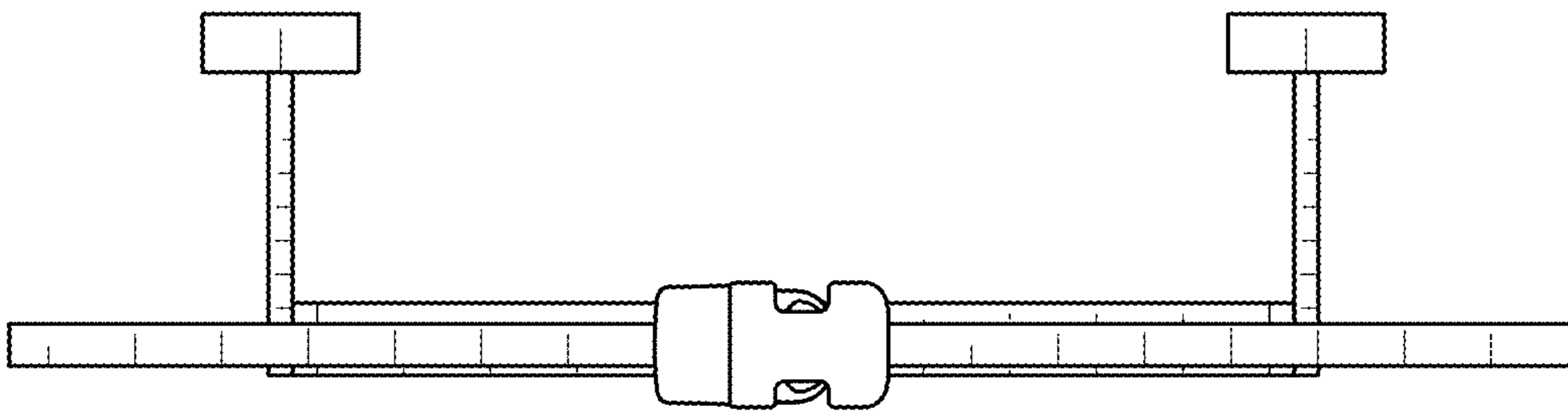


FIG. 7