



US00D928041S

(12) **United States Design Patent**
Jones

(10) **Patent No.:** **US D928,041 S**

(45) **Date of Patent:** **** Aug. 17, 2021**

(54) **CELL PHONE MOUNT FOR A BIKE**

(71) Applicant: **Daniel Jones**, East Grinstead (GB)

(72) Inventor: **Daniel Jones**, East Grinstead (GB)

(73) Assignee: **Jones International Trading Limited**,
London (GB)

(**) Term: **15 Years**

(21) Appl. No.: **29/728,766**

(22) Filed: **Mar. 20, 2020**

(51) **LOC (13) Cl.** **12-11**

(52) **U.S. Cl.**

USPC **D12/114**; D14/253

(58) **Field of Classification Search**

USPC D12/114, 415; D14/251–253, 447, 452,
D14/432–434

CPC H04M 1/02; H04M 1/04; B60R 11/02;
F16M 11/00; F16M 11/04; F16M 11/06

See application file for complete search history.

(56) **References Cited**

U.S. PATENT DOCUMENTS

| | | | | | |
|-----------|------|---------|-------------|-------|---------------------|
| 8,067,848 | B1 * | 11/2011 | Vilsaint | | B62J 6/06 290/45 |
| D707,672 | S * | 6/2014 | Lai | | D14/253 |
| D732,013 | S * | 6/2015 | Aspinall | | D14/253 |
| D772,218 | S * | 11/2016 | Alesi | | D14/253 |
| D772,220 | S * | 11/2016 | Daniels | | D14/253 |
| D777,675 | S * | 1/2017 | Miller | | D13/144 |
| D780,743 | S * | 3/2017 | Chun | | D14/253 |
| D790,528 | S * | 6/2017 | Lindloff | | D14/253 |
| D861,541 | S * | 10/2019 | Yan | | D12/114 |
| D873,205 | S * | 1/2020 | MacNeil | | D12/415 |
| D875,090 | S * | 2/2020 | Leeds-Frank | | D14/253 |
| D893,471 | S * | 8/2020 | Liao | | D14/253 |
| D894,168 | S * | 8/2020 | Lou | | D14/253 |

| | | | | | |
|--------------|------|---------|---------|-------|------------------------|
| D903,652 | S * | 12/2020 | Qiu | | D14/253 |
| D907,029 | S * | 1/2021 | Khubani | | D14/253 |
| 2014/0009900 | A1 * | 1/2014 | Yeo | | H04B 1/3888 361/809 |
| 2015/0263775 | A1 * | 9/2015 | Vila | | H04M 1/0262 455/573 |
| 2016/0149425 | A1 * | 5/2016 | Hsu | | H02J 7/0042 320/107 |

OTHER PUBLICATIONS

“Pro Series Motorcycle Perch Mount” RokForm., posted date Oct. 29, 2020 [online], [retrieved on May 20, 2021]. Retrieved from the Internet <https://www.rokform.com/products/motorcycle-perch-mount> (Year: 2020).*

“Joyroom Bike Phone Mount” Joyroom., posted date Jun. 23, 2020 [online], [retrieved on May 20, 2021]. Retrieved from the Internet <https://tinyurl.com/45pd8mrz> (Year: 2020).*

“TruActive Unbreakable Bike Phone Mount Holder” TruActive., posted date Mar. 27, 2019 [online], [retrieved on May 20, 2021]. Retrieved from the Internet <https://www.amazon.com/TruActive-Bike-Phone-Mount-Holder/dp/B07PVMV49J> (Year: 2019).*

* cited by examiner

Primary Examiner — Darlington Ly

Assistant Examiner — Nasim Abdulaziz Ali

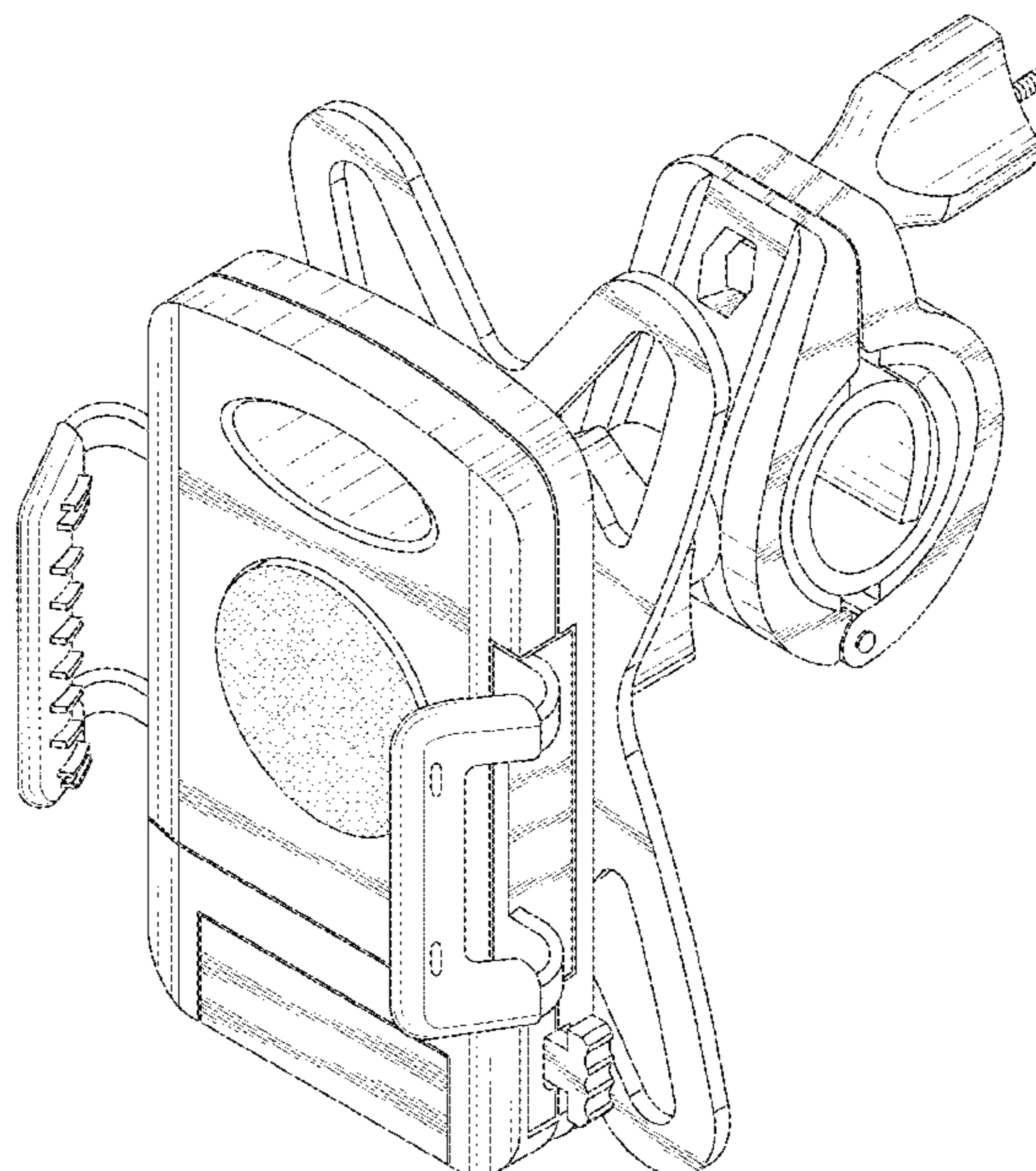
(57) **CLAIM**

The ornamental design for a cell phone mount for a bike, as shown and described.

DESCRIPTION

FIG. 1 is a front perspective view of a cell phone mount for a bike embodying my new design;
FIG. 2 is a front elevation view thereof;
FIG. 3 is a rear elevation view thereof;
FIG. 4 is a top plan view thereof;
FIG. 5 is a bottom plan view thereof;
FIG. 6 is a left side elevation view thereof; and,
FIG. 7 is a right side elevation view thereof.

1 Claim, 7 Drawing Sheets



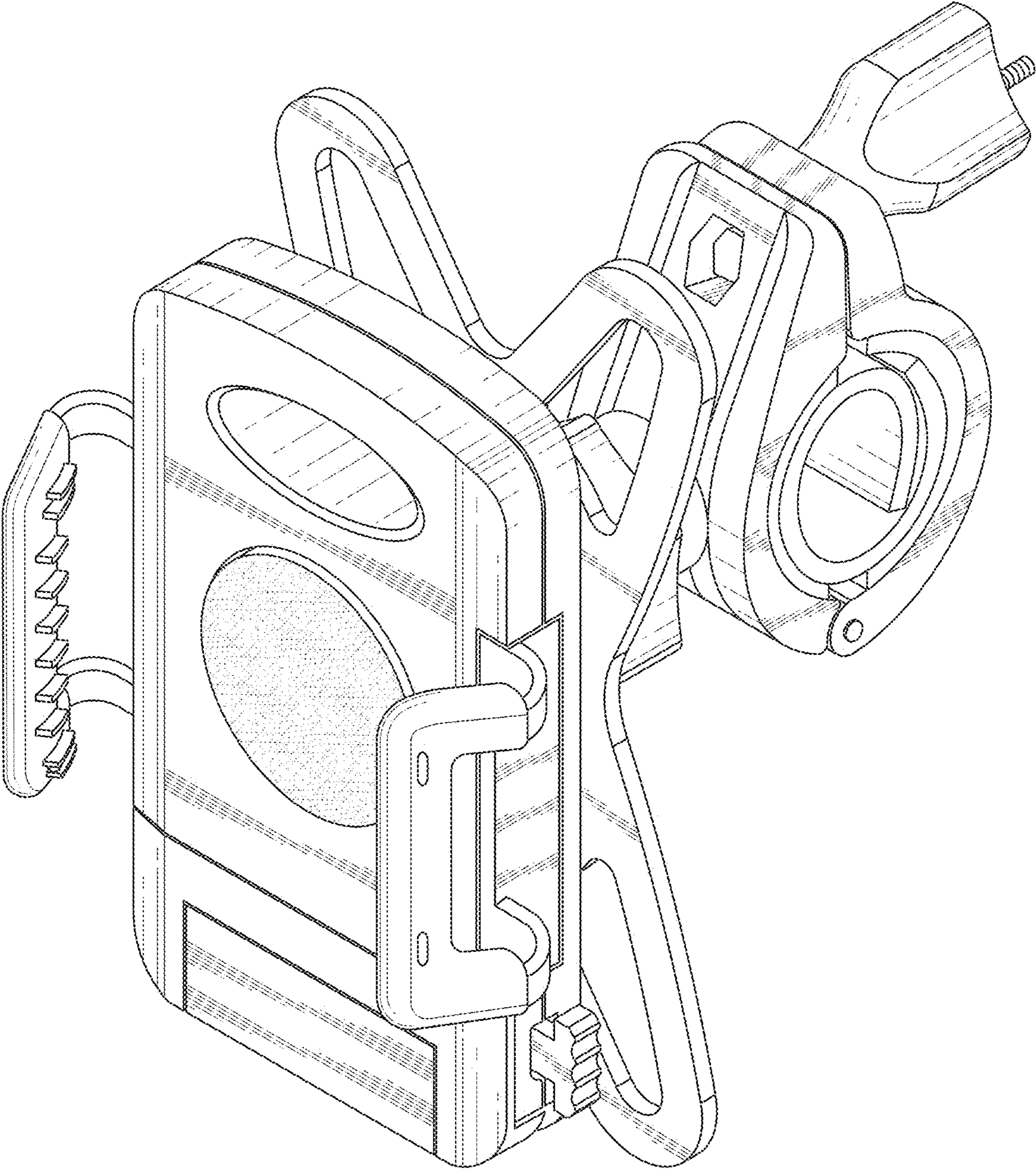


FIG. 1

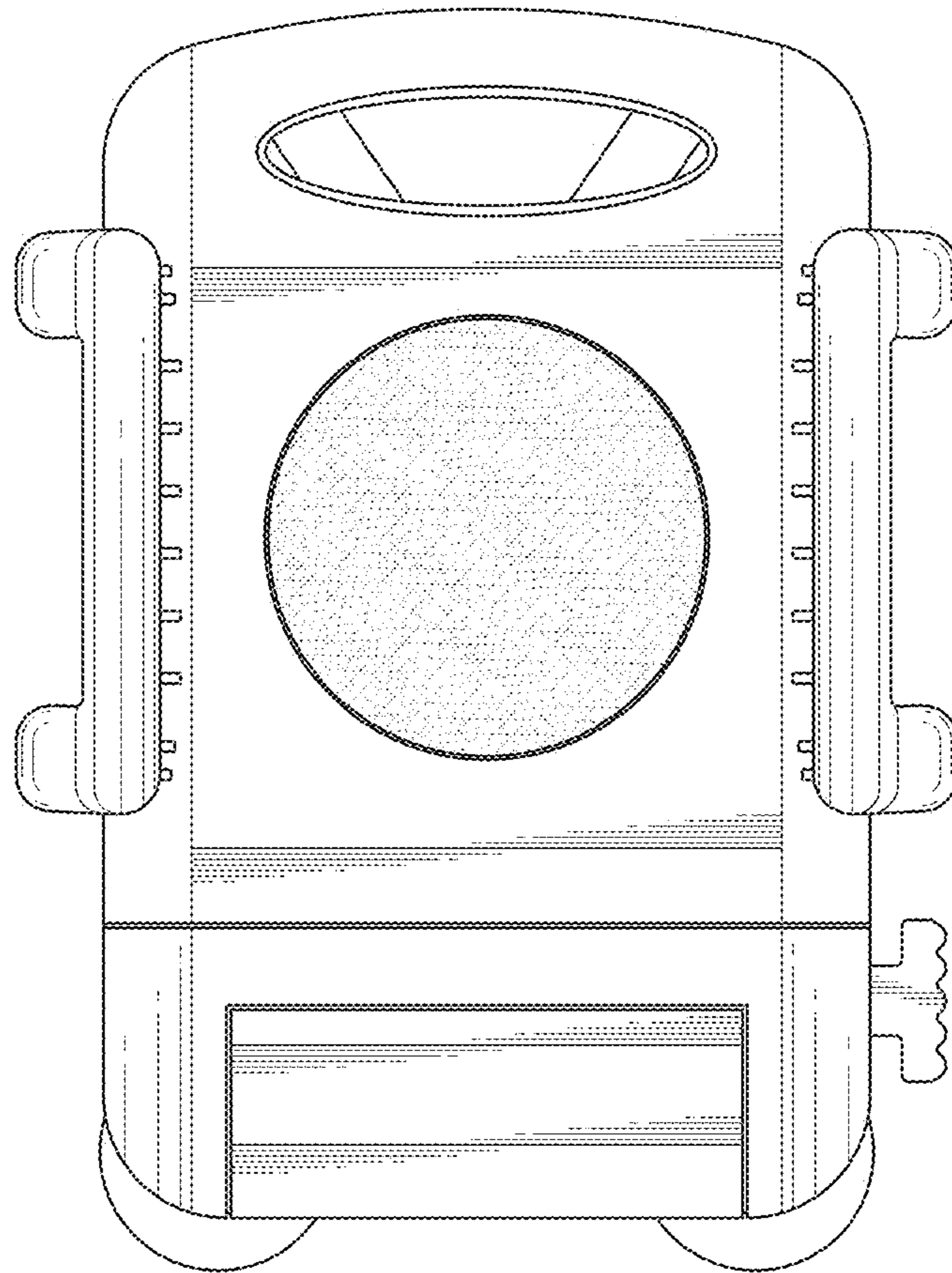


FIG. 2

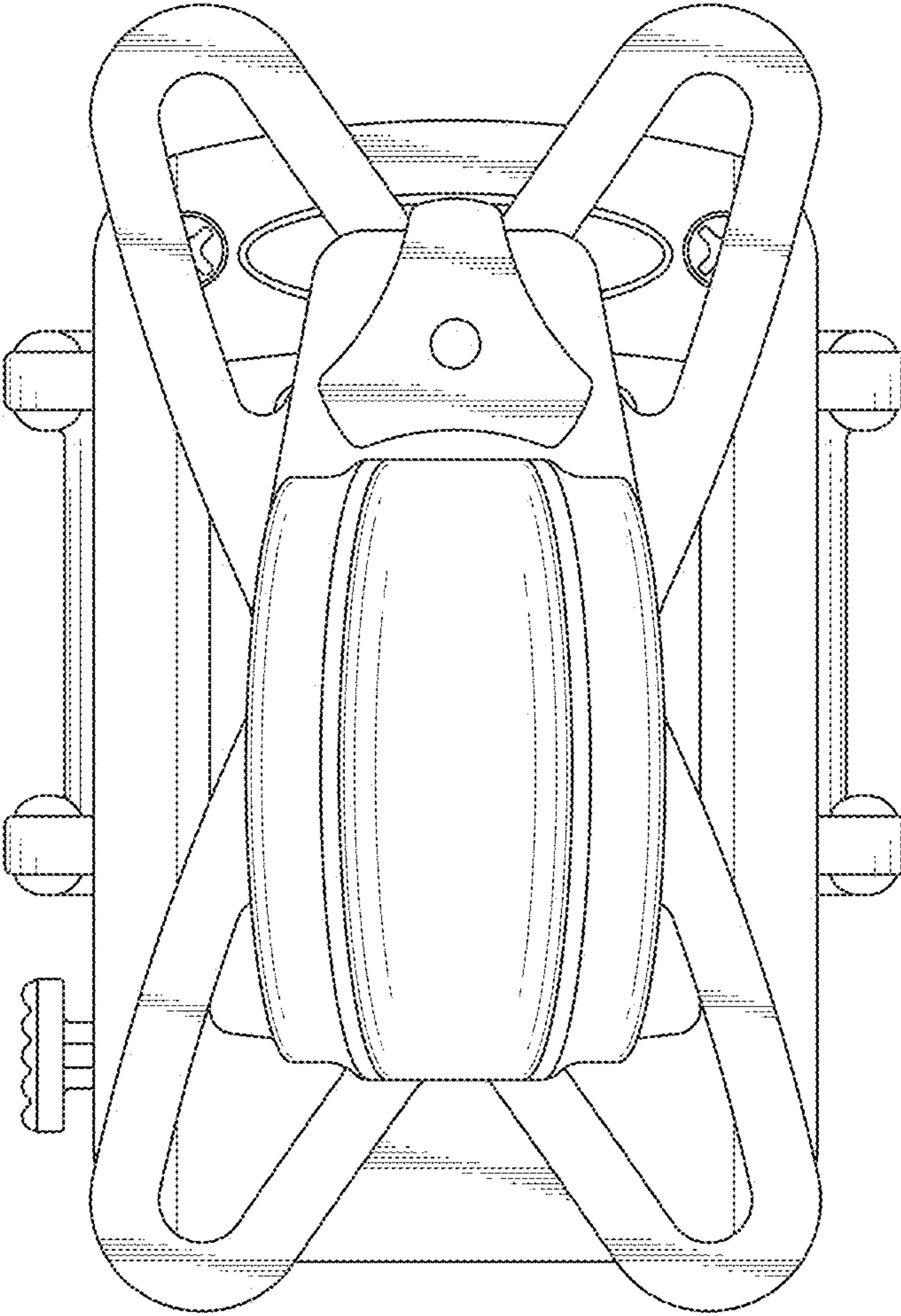


FIG. 3

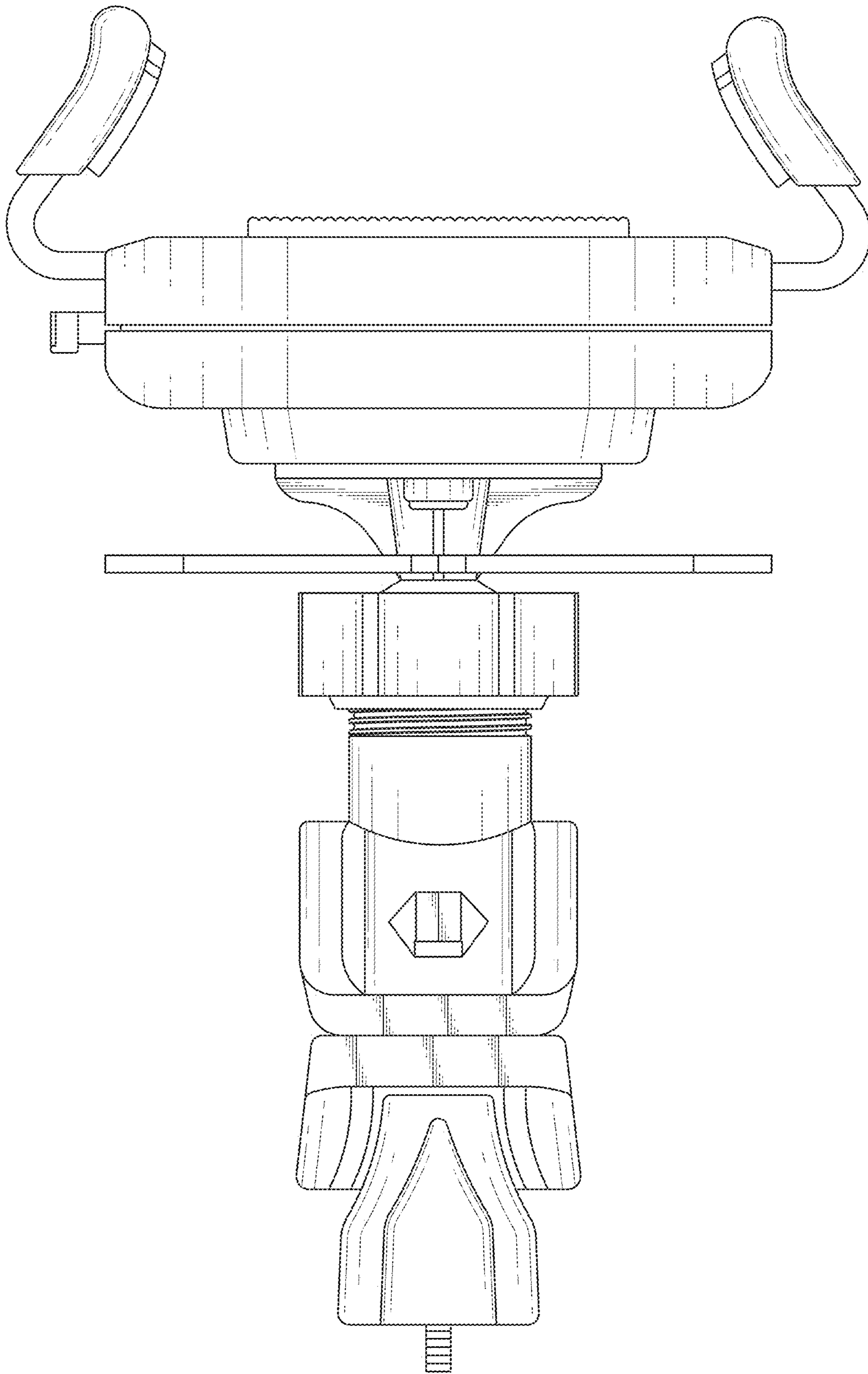


FIG. 4

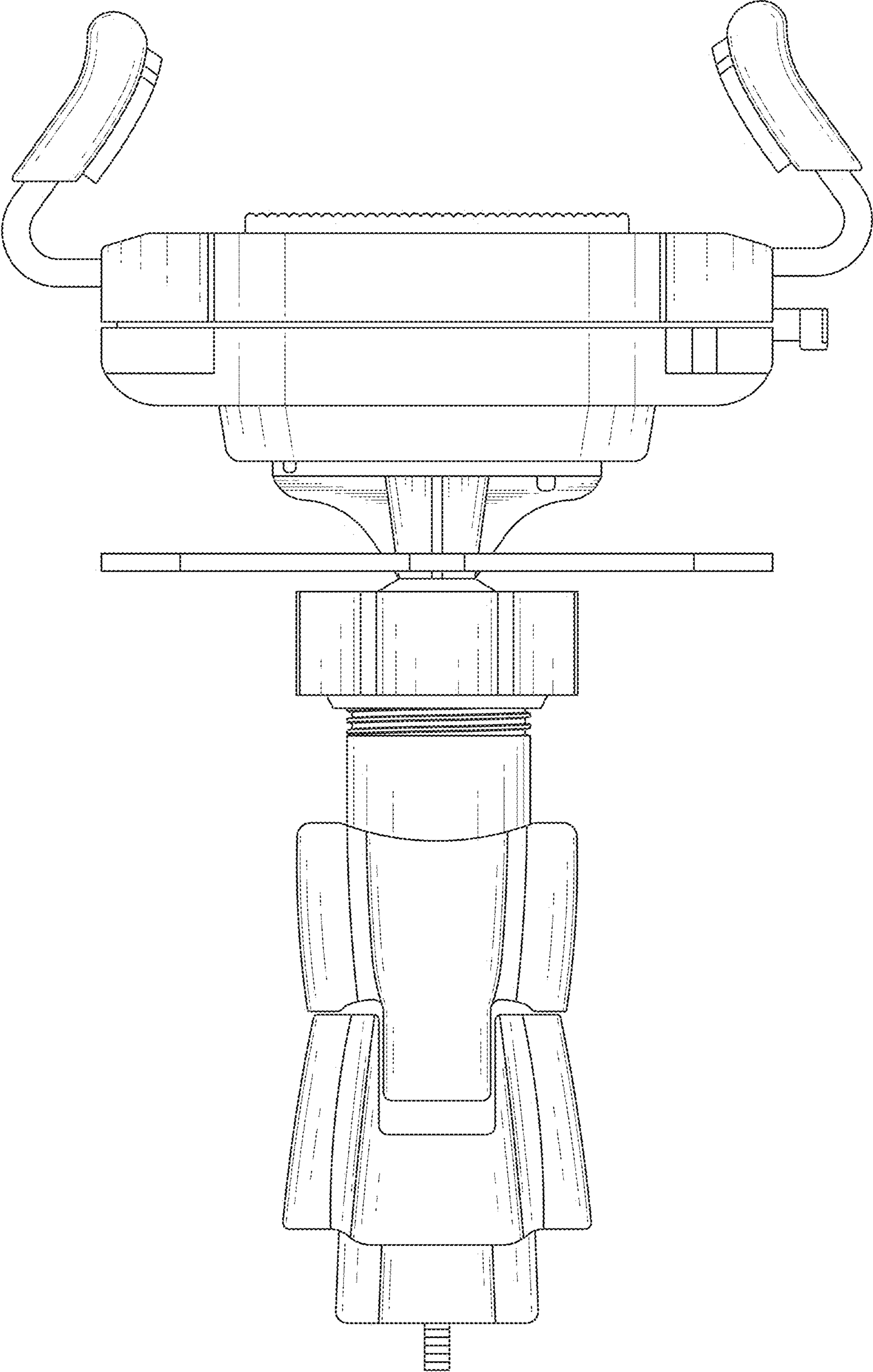


FIG. 5

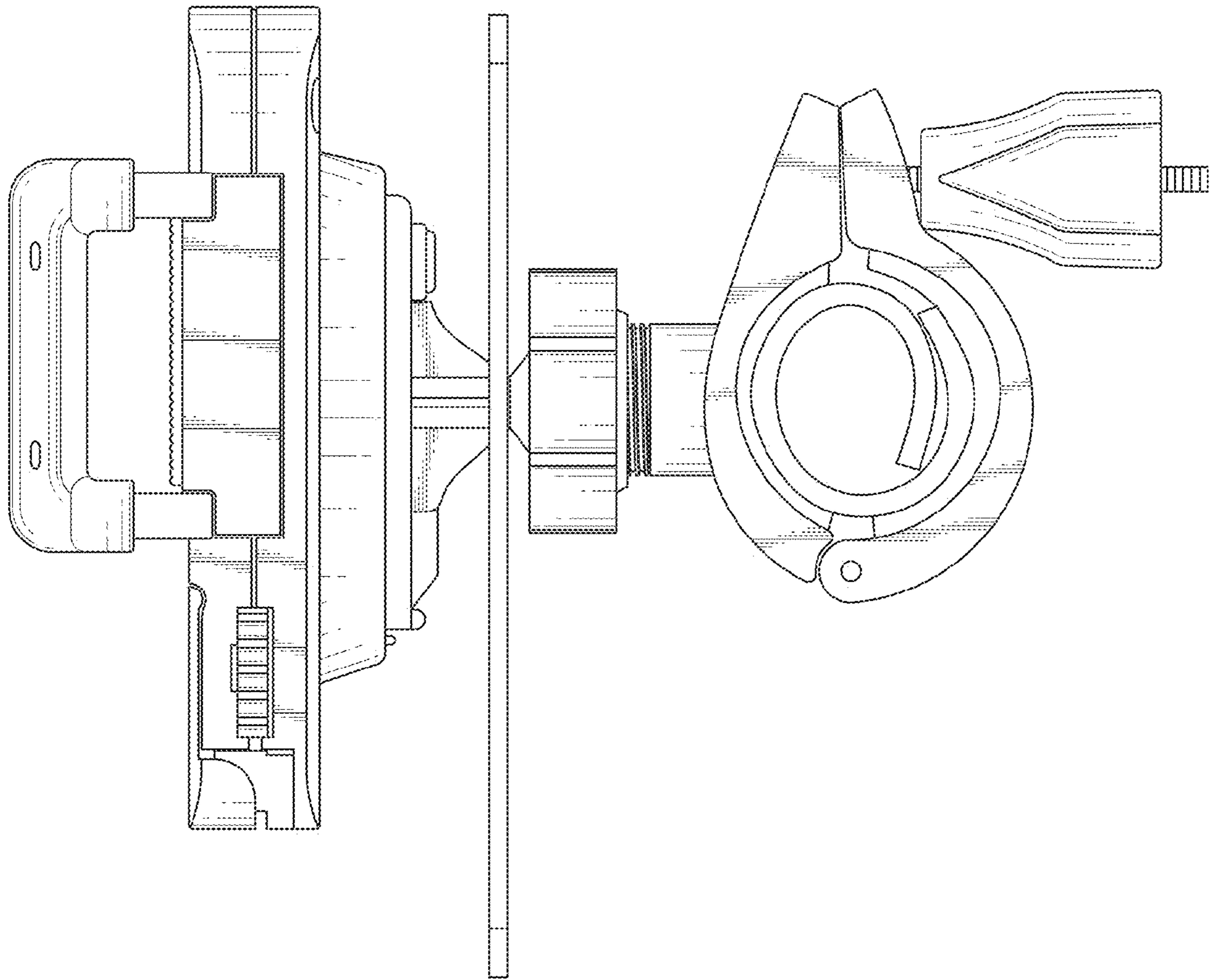


FIG. 6

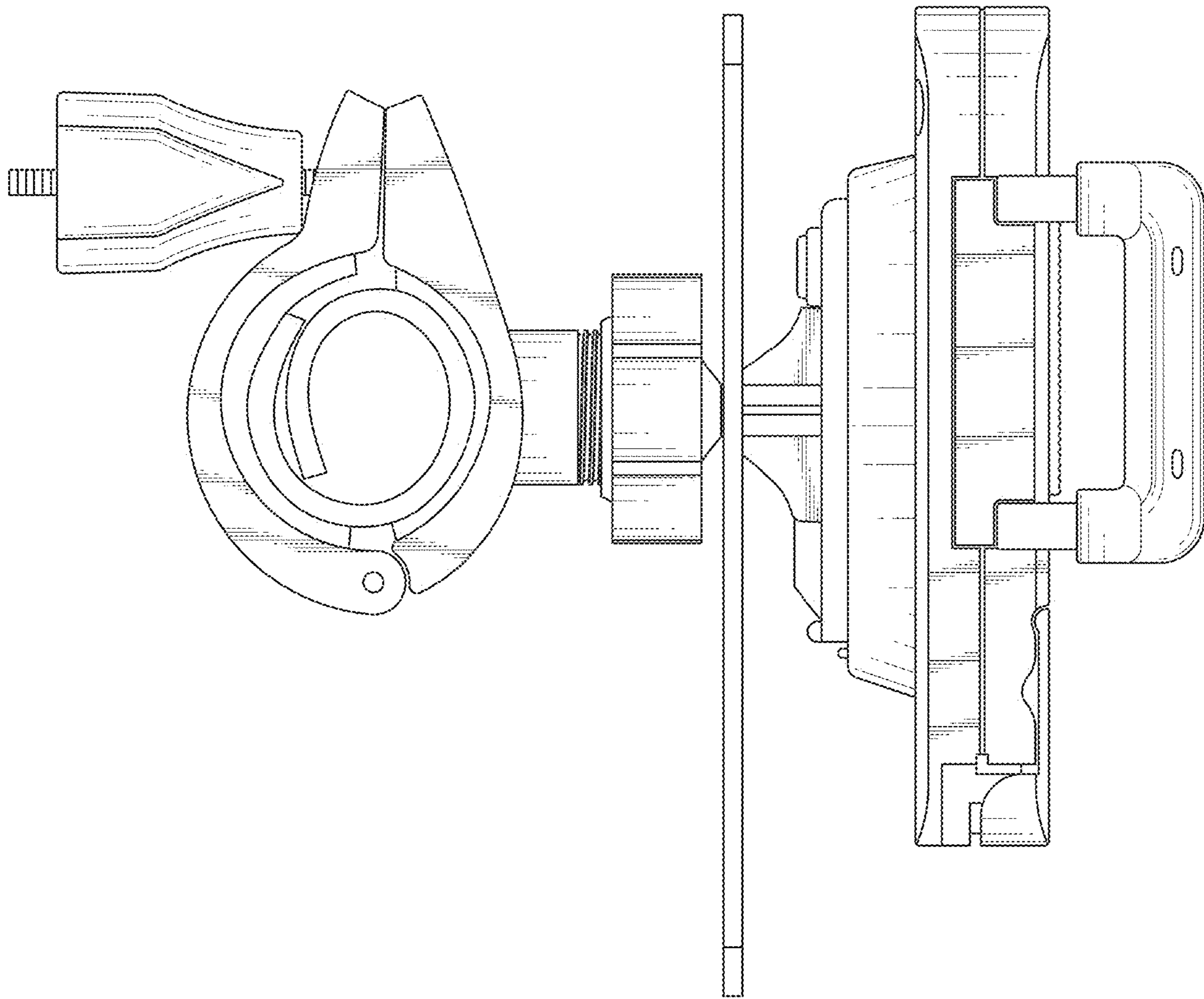


FIG. 7