



US00D928039S

(12) **United States Design Patent**  
**Gregory**

(10) **Patent No.:** **US D928,039 S**

(45) **Date of Patent:** **\*\* Aug. 17, 2021**

(54) **AUTOMOBILE, TOY REPLICA AND/OR  
OTHER REPLICA**

(71) Applicant: **Bentley Motors Limited**, Crewe (GB)

(72) Inventor: **John Paul Gregory**, Goostrey (GB)

(73) Assignee: **Bentley Motors Limited**, Cheshire  
(GB)

(\*\*) Term: **15 Years**

(21) Appl. No.: **29/715,368**

(22) Filed: **Dec. 2, 2019**

(30) **Foreign Application Priority Data**

May 31, 2019 (EM) ..... 006553780

(51) **LOC (13) Cl.** ..... **12-08**

(52) **U.S. Cl.**  
USPC ..... **D12/92**

(58) **Field of Classification Search**  
USPC .... D12/86, 90-92, 164; D21/424, 433, 434,  
D21/533; 296/181.1-181.5, 183.1  
CPC ..... B62D 25/00; B62D 25/06; B62D 33/00;  
B62D 35/00  
See application file for complete search history.

(56) **References Cited**

**U.S. PATENT DOCUMENTS**

D558,642 S \* 1/2008 van Braeckel ..... D12/92  
D574,752 S \* 8/2008 van Braeckel ..... D12/92

D658,545 S \* 5/2012 Van Braeckel ..... D12/91  
D662,865 S \* 7/2012 Van Braeckel ..... D12/164  
D753,031 S \* 4/2016 van Braeckel ..... D12/164  
D758,248 S \* 6/2016 Donckerwolke ..... D12/92  
D782,367 S \* 3/2017 Donckerwolke ..... D12/92  
D811,939 S \* 3/2018 Lee ..... D12/91  
D824,295 S \* 7/2018 Donckerwolke ..... D12/164  
D825,386 S \* 8/2018 Donckerwolke ..... D12/92  
D835,004 S \* 12/2018 Donckerwolke ..... D12/92  
D859,215 S \* 9/2019 Gregory ..... D12/92  
D859,235 S \* 9/2019 Gregory ..... D12/164

\* cited by examiner

*Primary Examiner* — Melody N Brown

(74) *Attorney, Agent, or Firm* — Tarolli, Sundheim,  
Covell & Tummino LLP; John A. Yirga, Esq.

(57) **CLAIM**

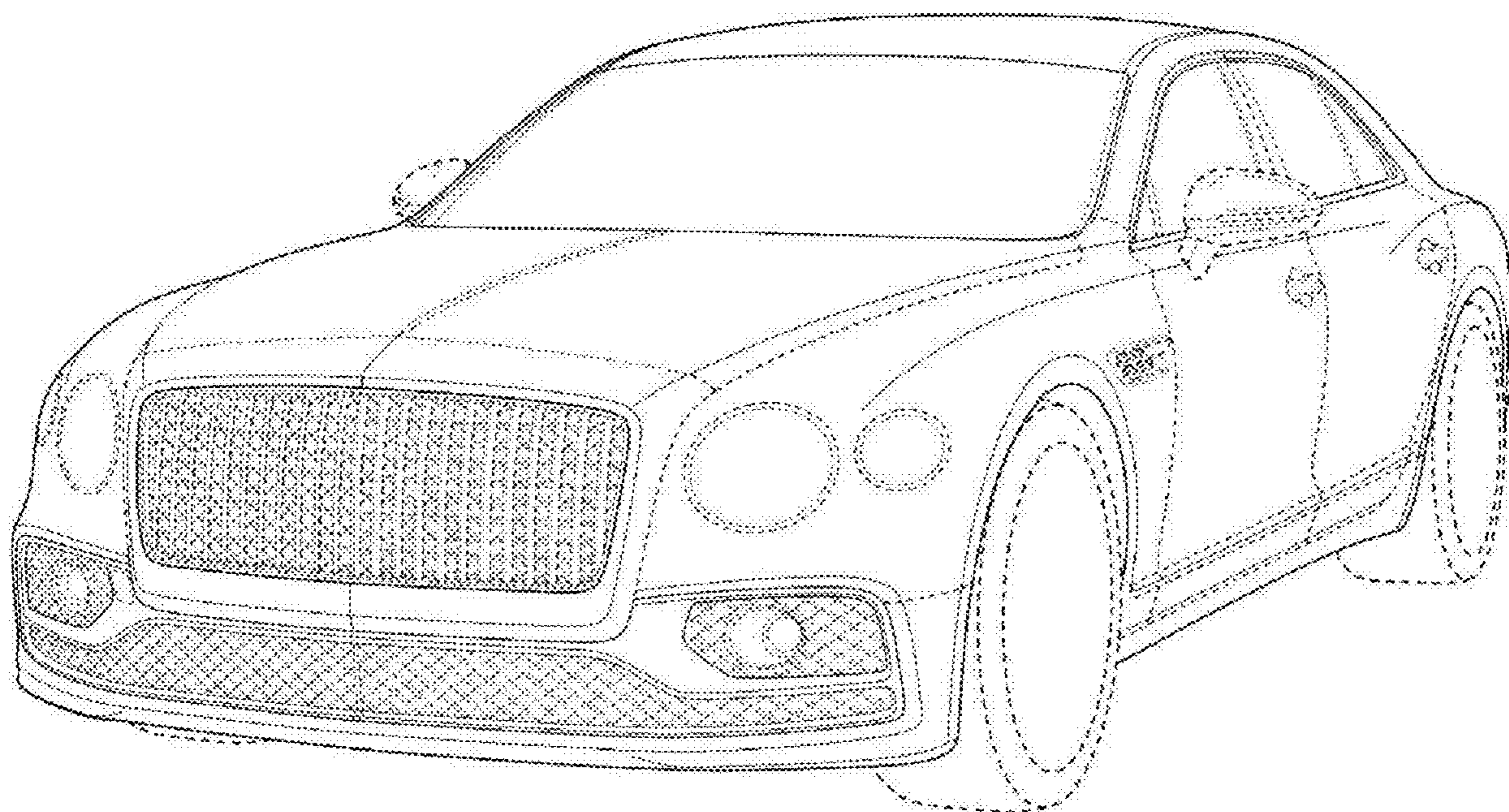
The ornamental design for an automobile, toy replica and/or  
other replica, as shown and described.

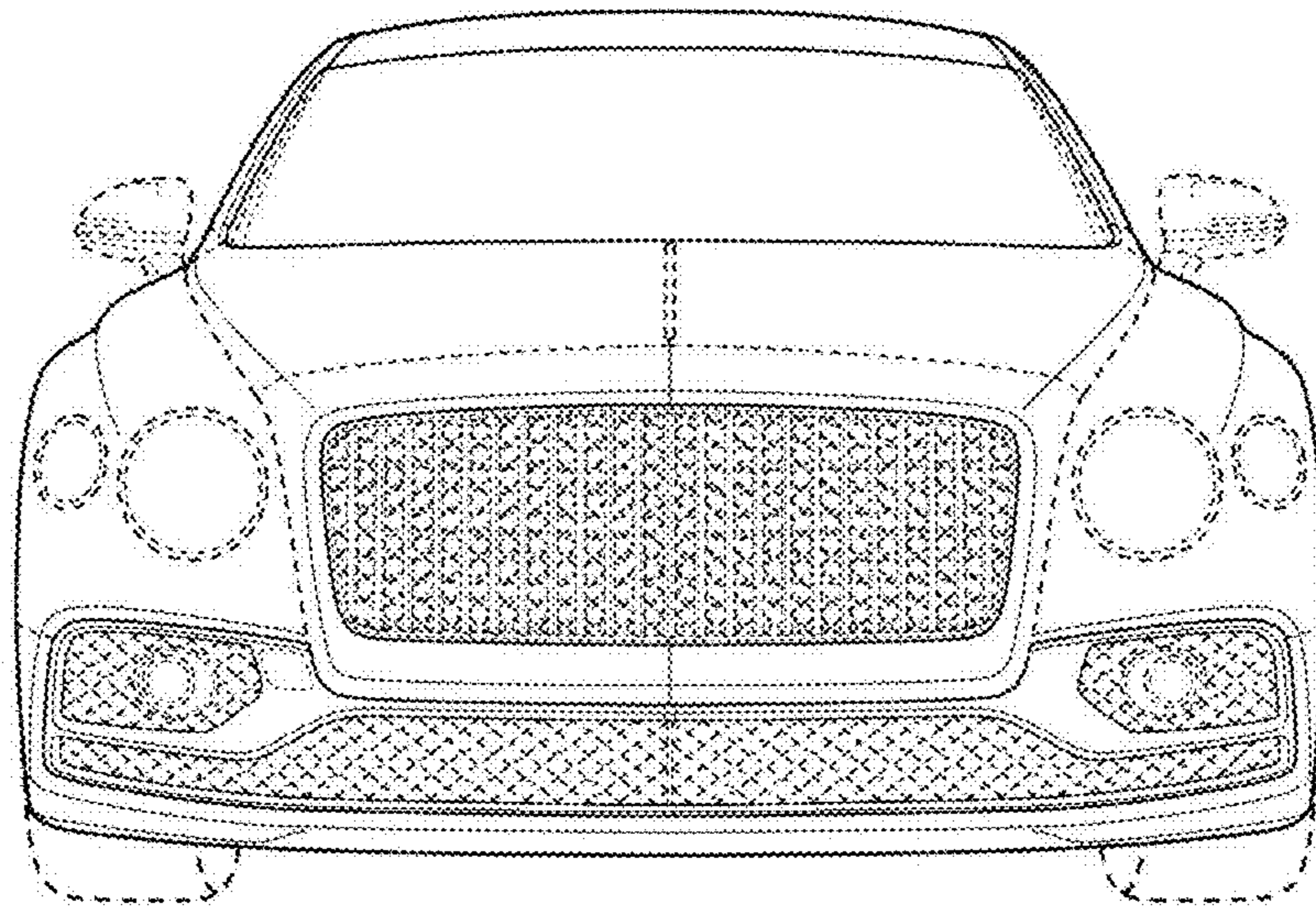
**DESCRIPTION**

FIG. 1 is a front elevational view of an automobile, toy  
replica and/or other replica showing my new design;  
FIG. 2 is a right, front perspective view thereof;  
FIG. 3 is a top plan view thereof;  
FIG. 4 is a rear elevational view thereof;  
FIG. 5 is a right, rear perspective view thereof;  
FIG. 6 is a right side elevational view thereof; and,  
FIG. 7 is a left side elevational view thereof.

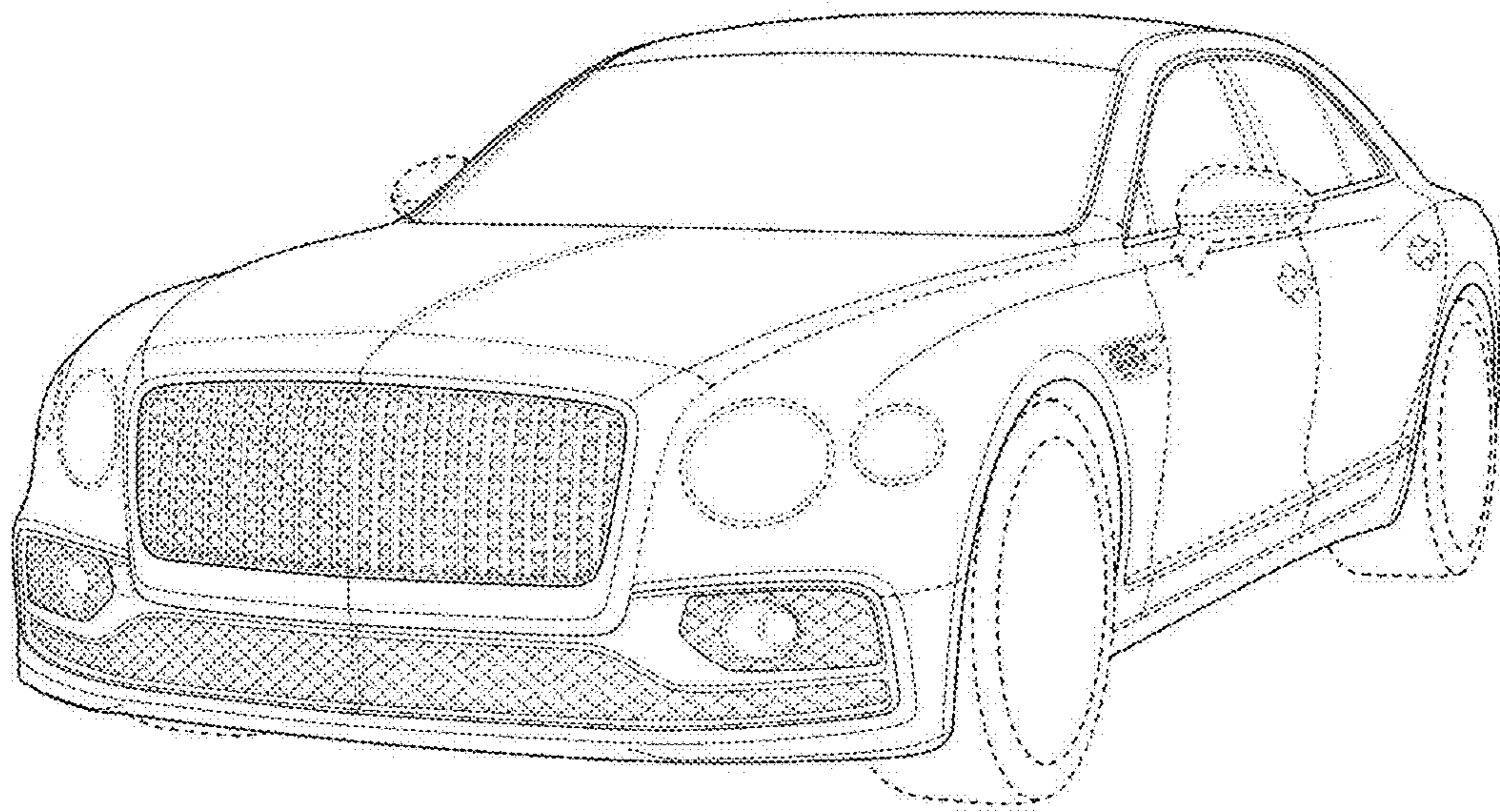
The portions of the automobile shown in broken lines are for  
environmental and illustrative purposes and form no part of  
the claimed design.

**1 Claim, 7 Drawing Sheets**

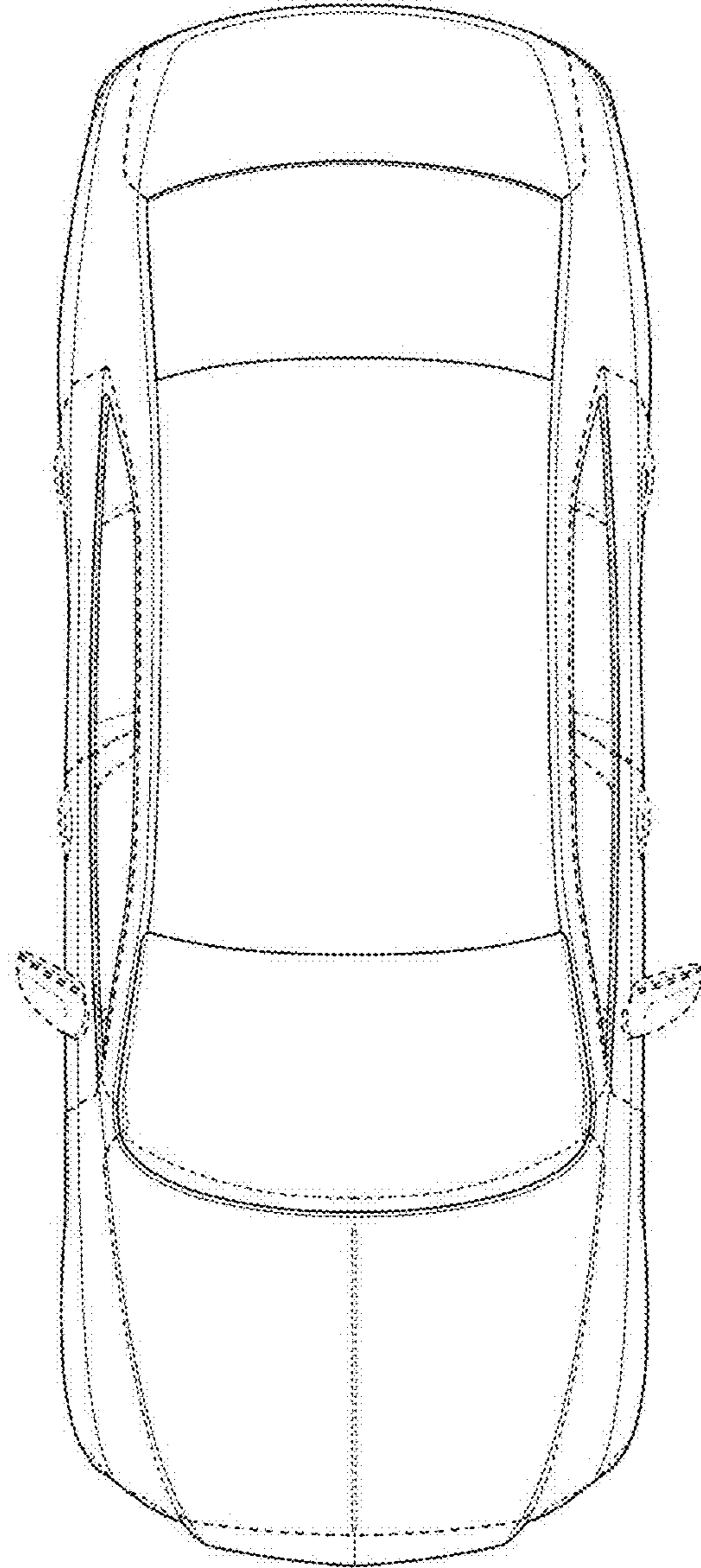




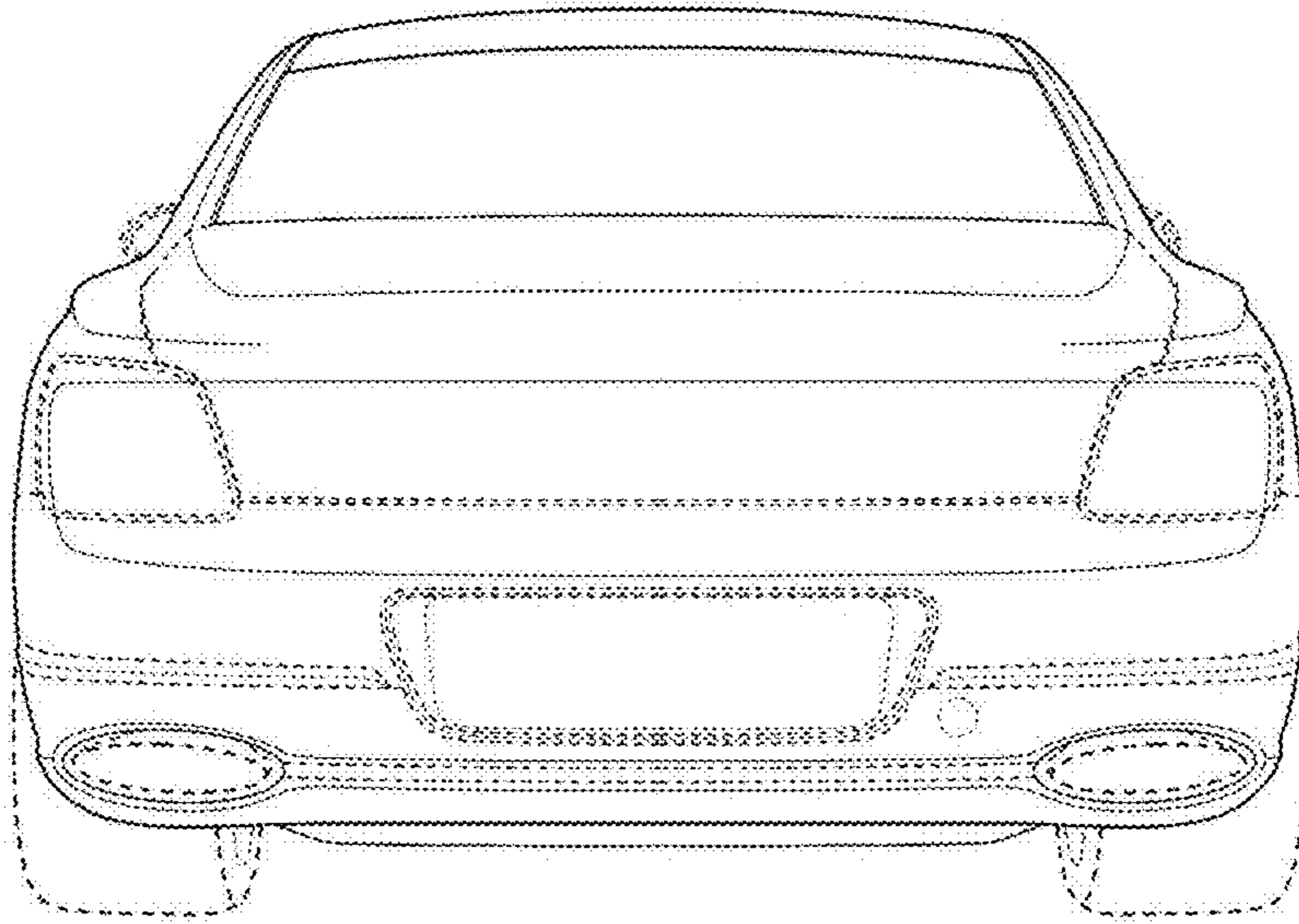
**FIG. 1**



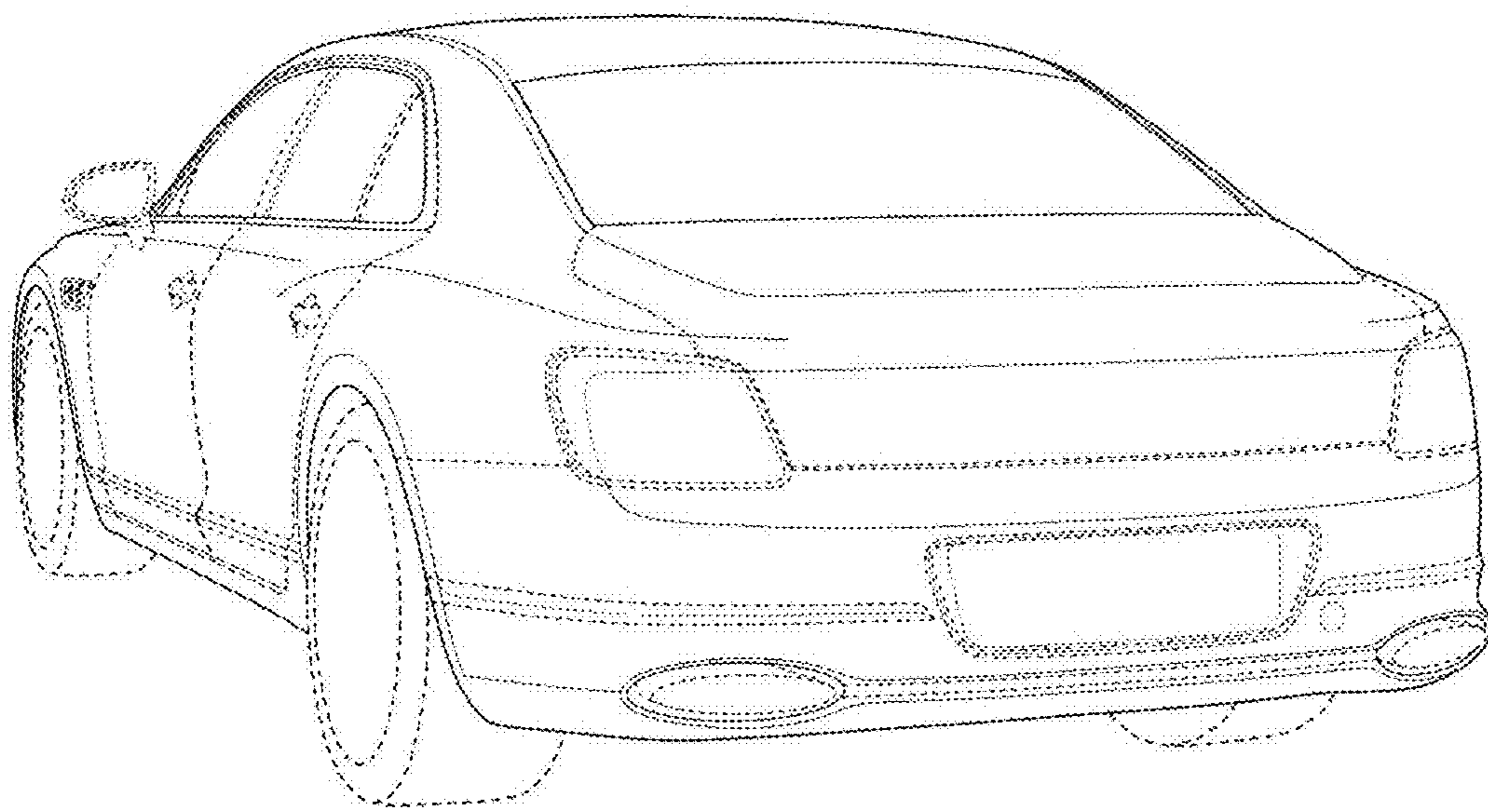
**FIG. 2**



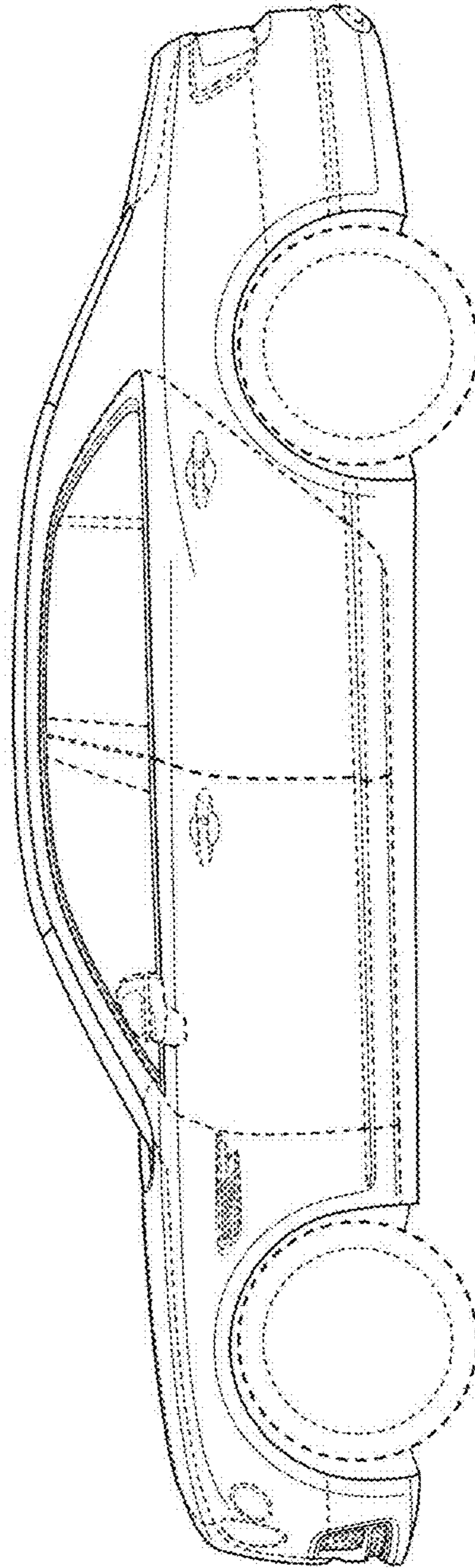
**FIG. 3**



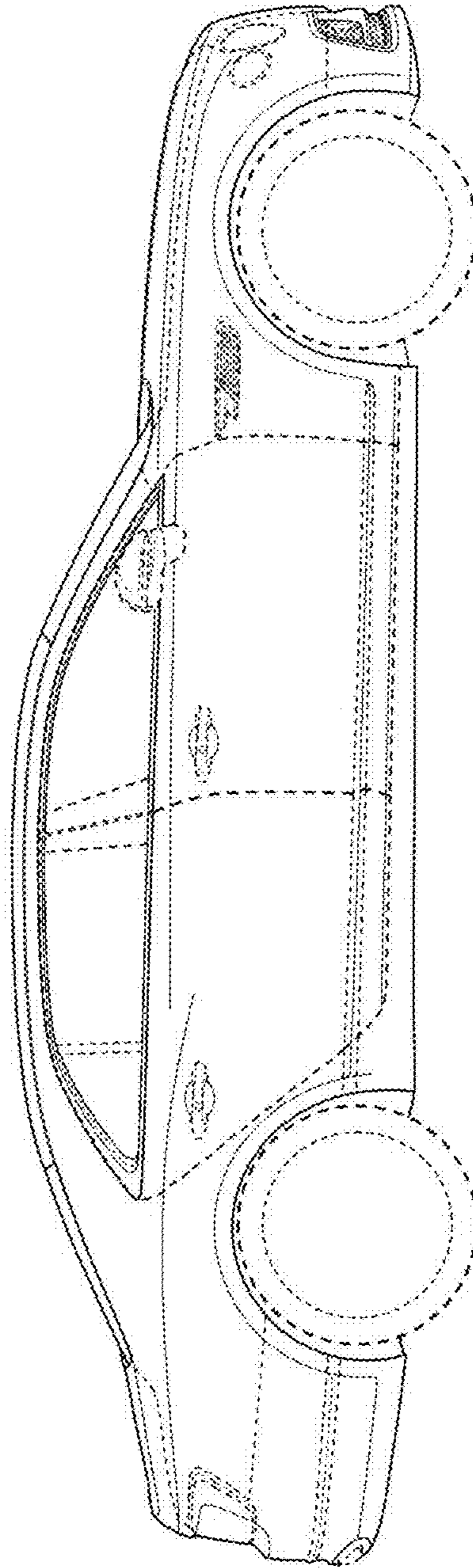
**FIG. 4**



**FIG. 5**



**FIG. 6**



**FIG. 7**