



US00D928036S

(12) **United States Design Patent**
Eum

(10) **Patent No.:** **US D928,036 S**

(45) **Date of Patent:** **** Aug. 17, 2021**

(54) **CAR BODY**

(71) Applicant: **CHERY AUTOMOBILE CO., LTD,**
Anhui (CN)

(72) Inventor: **Steve Eum,** Shanghai (CN)

(73) Assignee: **CHERY AUTOMOBILE CO., LTD,**
Anhui (CN)

(**) Term: **15 Years**

(21) Appl. No.: **29/712,235**

(22) Filed: **Nov. 6, 2019**

(30) **Foreign Application Priority Data**

May 6, 2019 (CN) 201930215904.X

(51) **LOC (13) Cl.** **12-08**

(52) **U.S. Cl.**
USPC **D12/91**

(58) **Field of Classification Search**
USPC D12/86, 90-92, 88, 164; D21/424, 433,
D21/434; 296/181.1-181.5, 183.1
CPC B62D 25/00; B62D 25/06; B62D 33/00;
B62D 35/00
See application file for complete search history.

(56) **References Cited**

U.S. PATENT DOCUMENTS

D818,881 S * 5/2018 Bischoff D12/91
D867,928 S * 11/2019 Seo D12/91

D890,028 S * 7/2020 Radbrink D12/91
D891,984 S * 8/2020 Romers D12/91
D891,985 S * 8/2020 Vaya D12/91
D898,620 S * 10/2020 Park D12/91
D904,229 S * 12/2020 Bischoff D12/91
D904,933 S * 12/2020 Bischoff D12/91
D906,175 S * 12/2020 Mayer D12/91
D906,884 S * 1/2021 Bischoff D12/91

* cited by examiner

Primary Examiner — Melody N Brown

(74) *Attorney, Agent, or Firm* — Kolitch Romano LLP

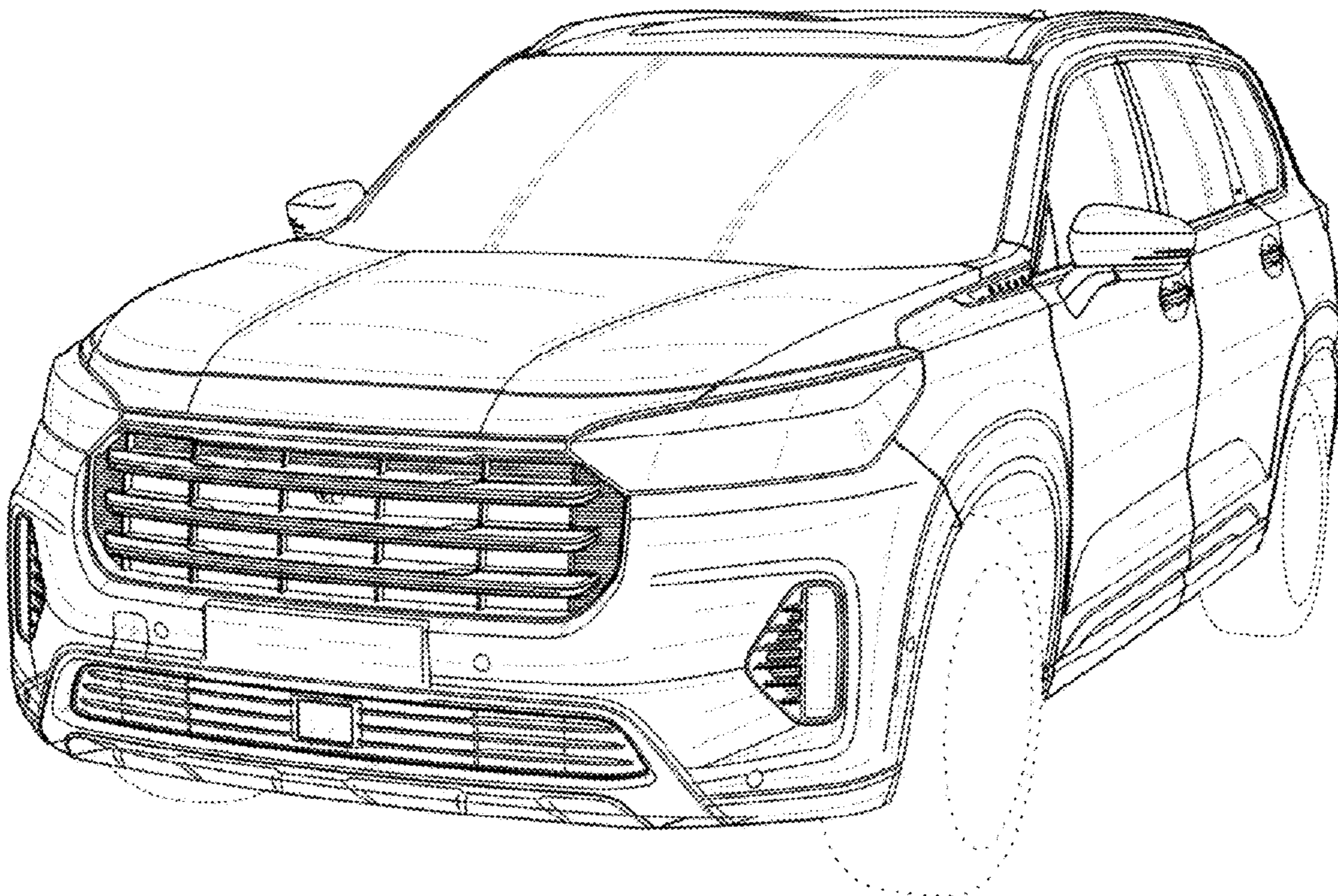
(57) **CLAIM**

The ornamental design for a car body, as shown and described.

DESCRIPTION

FIG. 1 is a right side elevational view of a car body showing my new design;
FIG. 2 is a rear view thereof;
FIG. 3 is a left side view thereof;
FIG. 4 is a right side view thereof;
FIG. 5 is a top view thereof;
FIG. 6 is a rear perspective view thereof; and,
FIG. 7 is a front perspective view thereof.
The portions of the car body shown in broken lines form no part of the claimed design. The shading lines shown in the drawings represent the approximate three-dimensional contour of the design, and are not intended to indicate surface decoration.

1 Claim, 5 Drawing Sheets



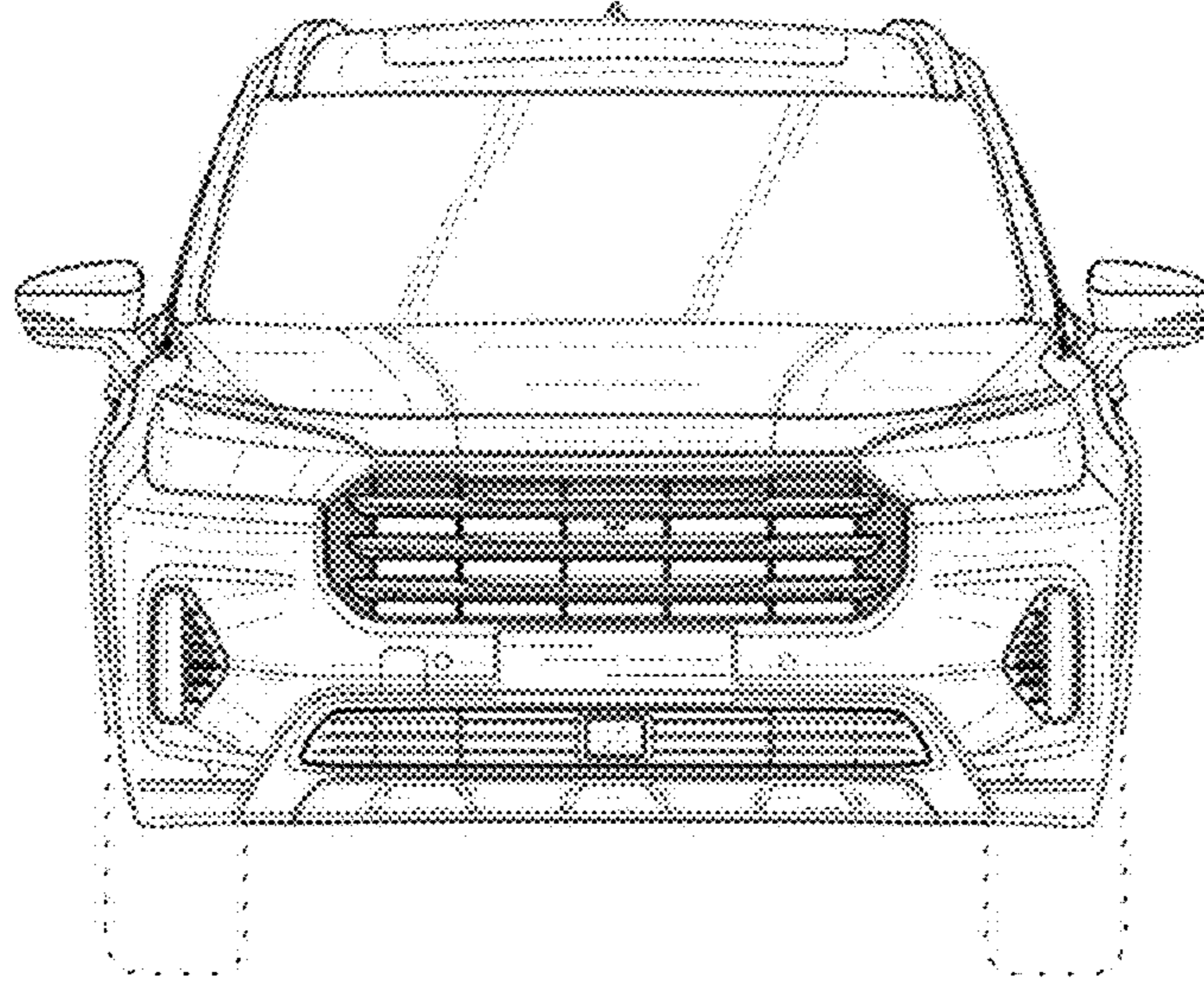


FIG. 1

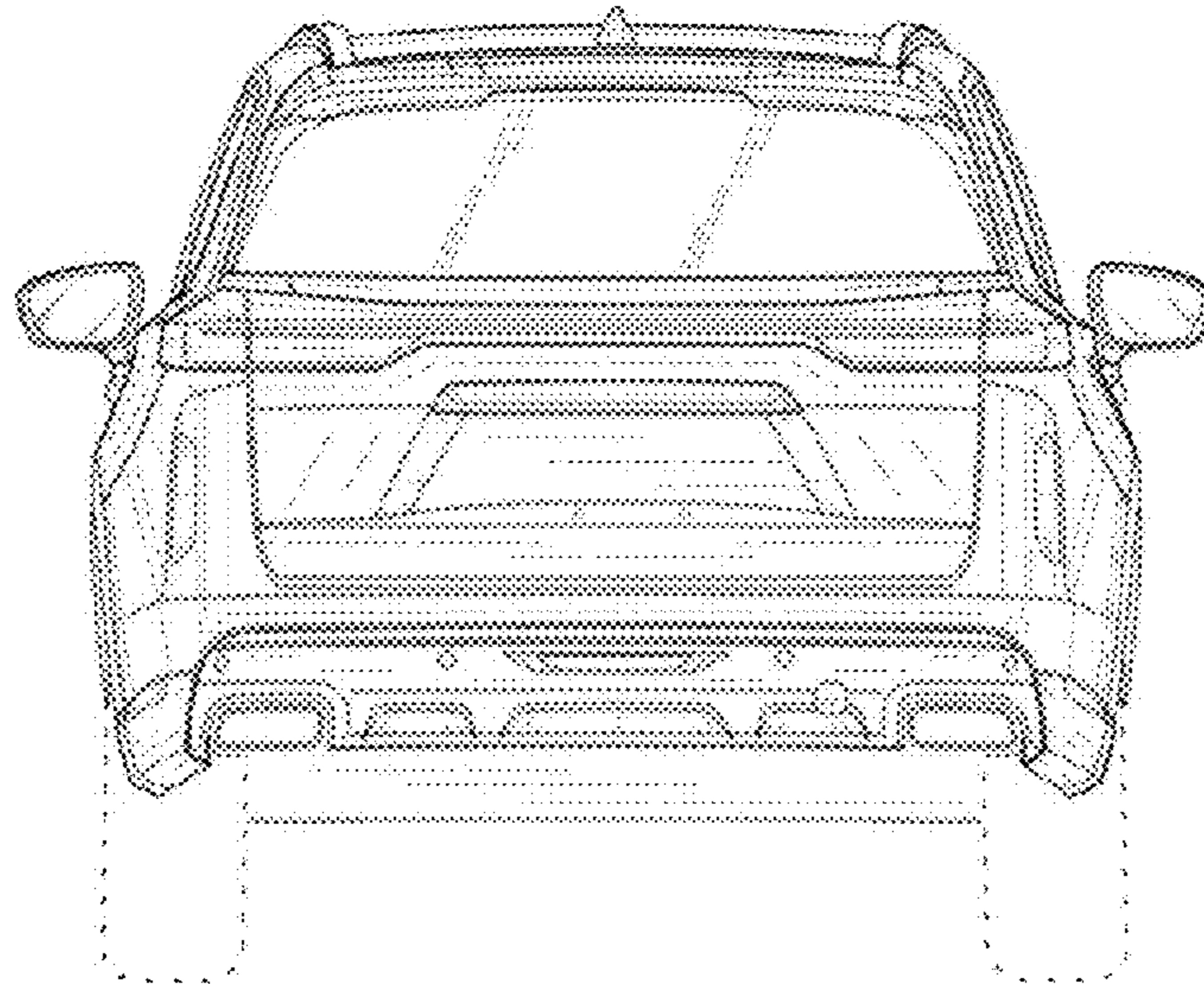


FIG. 2

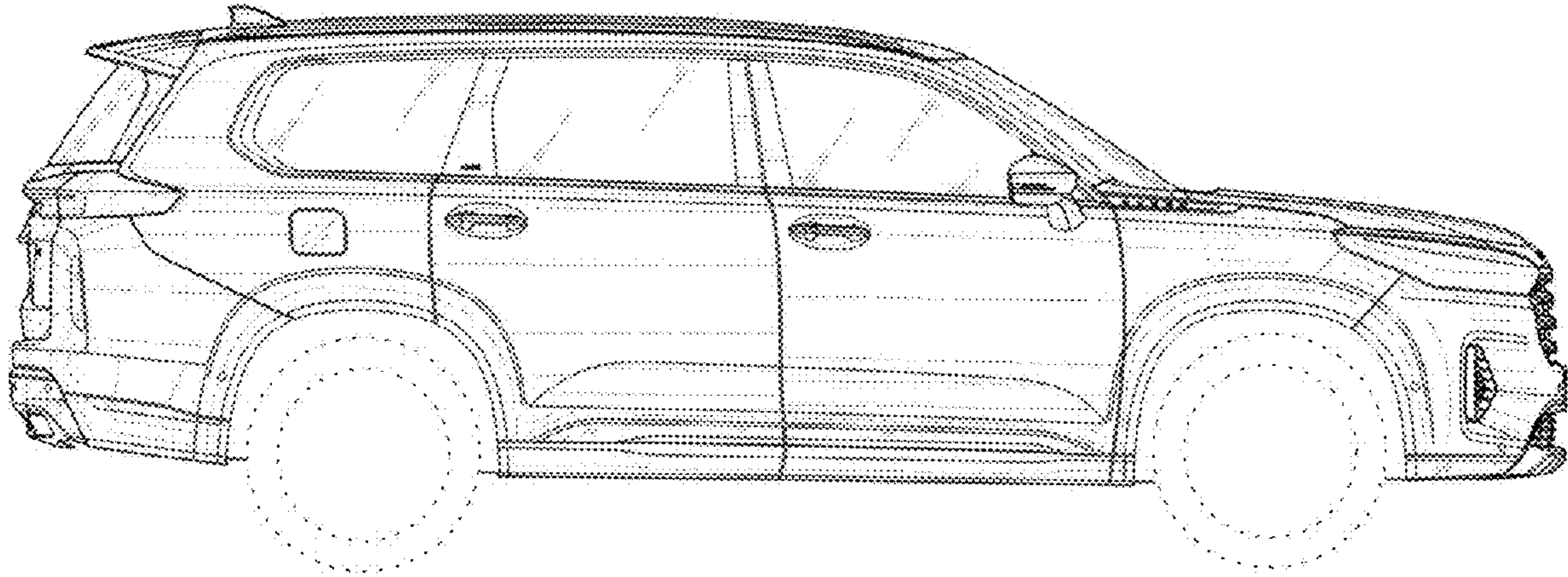


FIG. 3

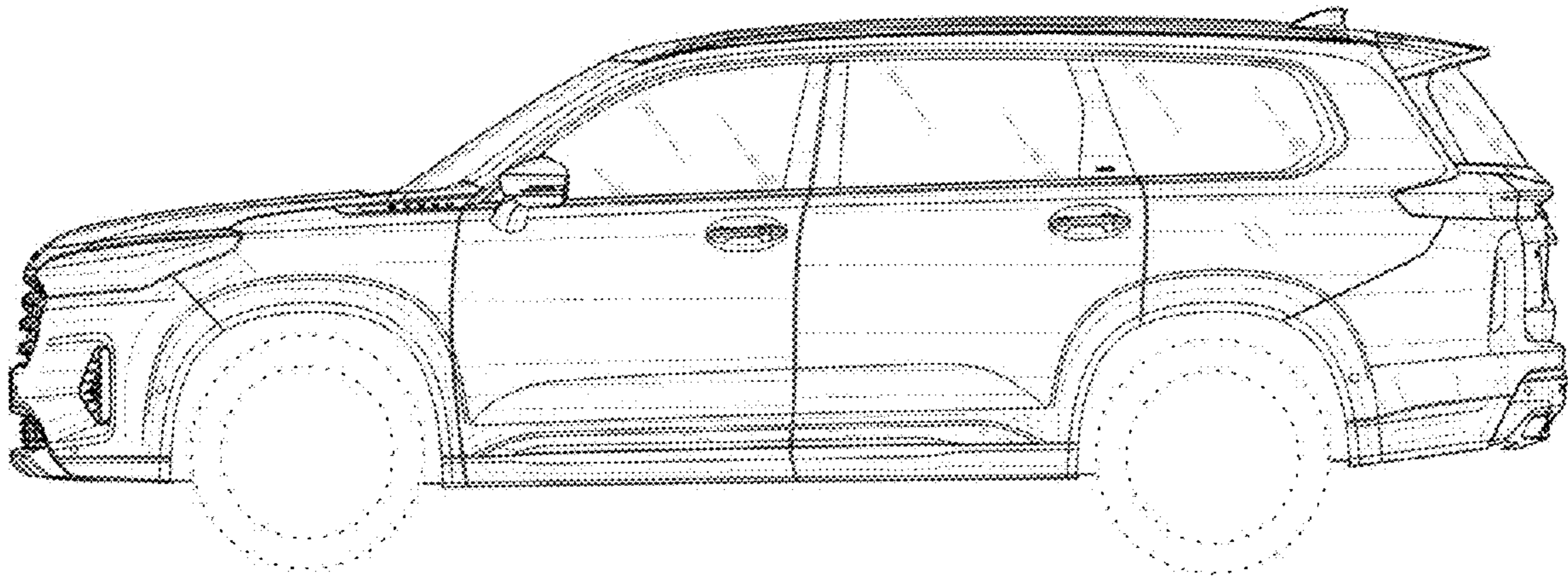


FIG. 4

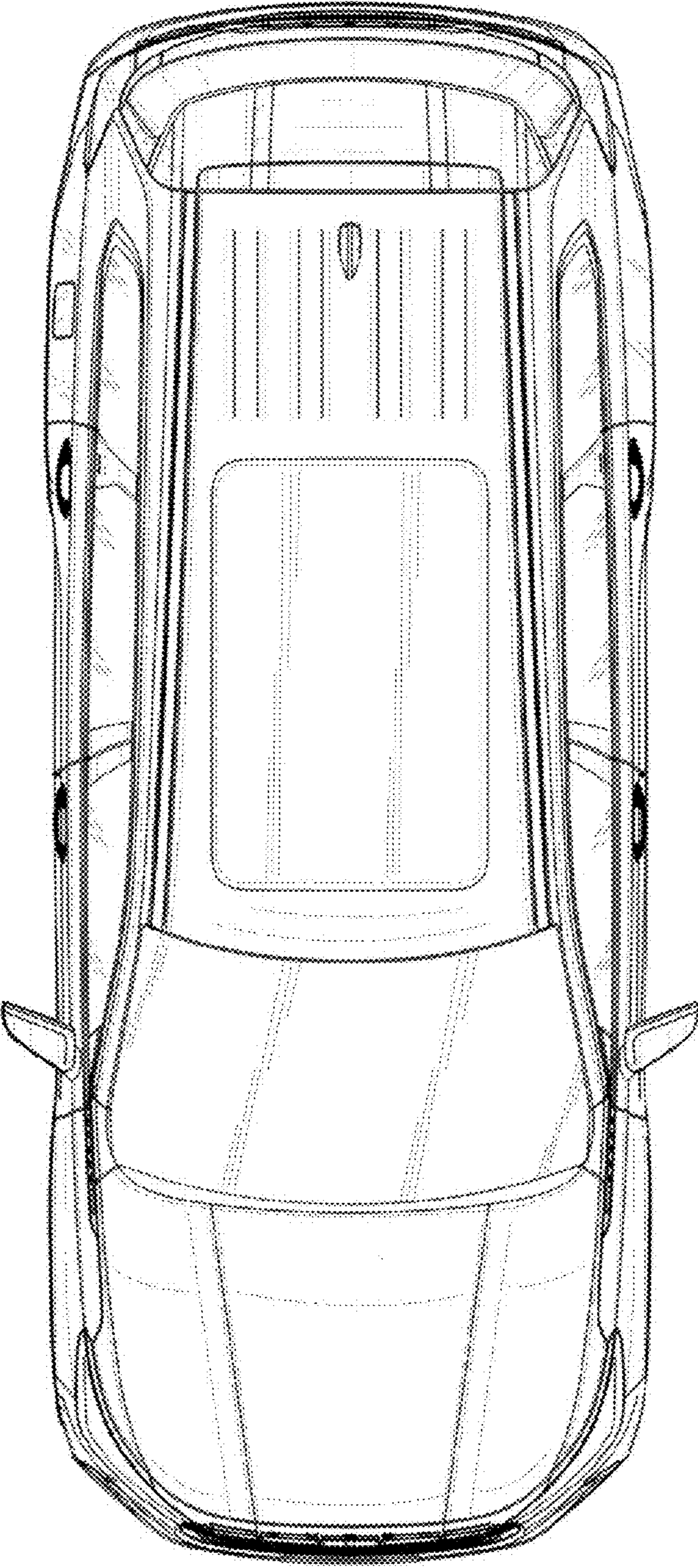


FIG. 5

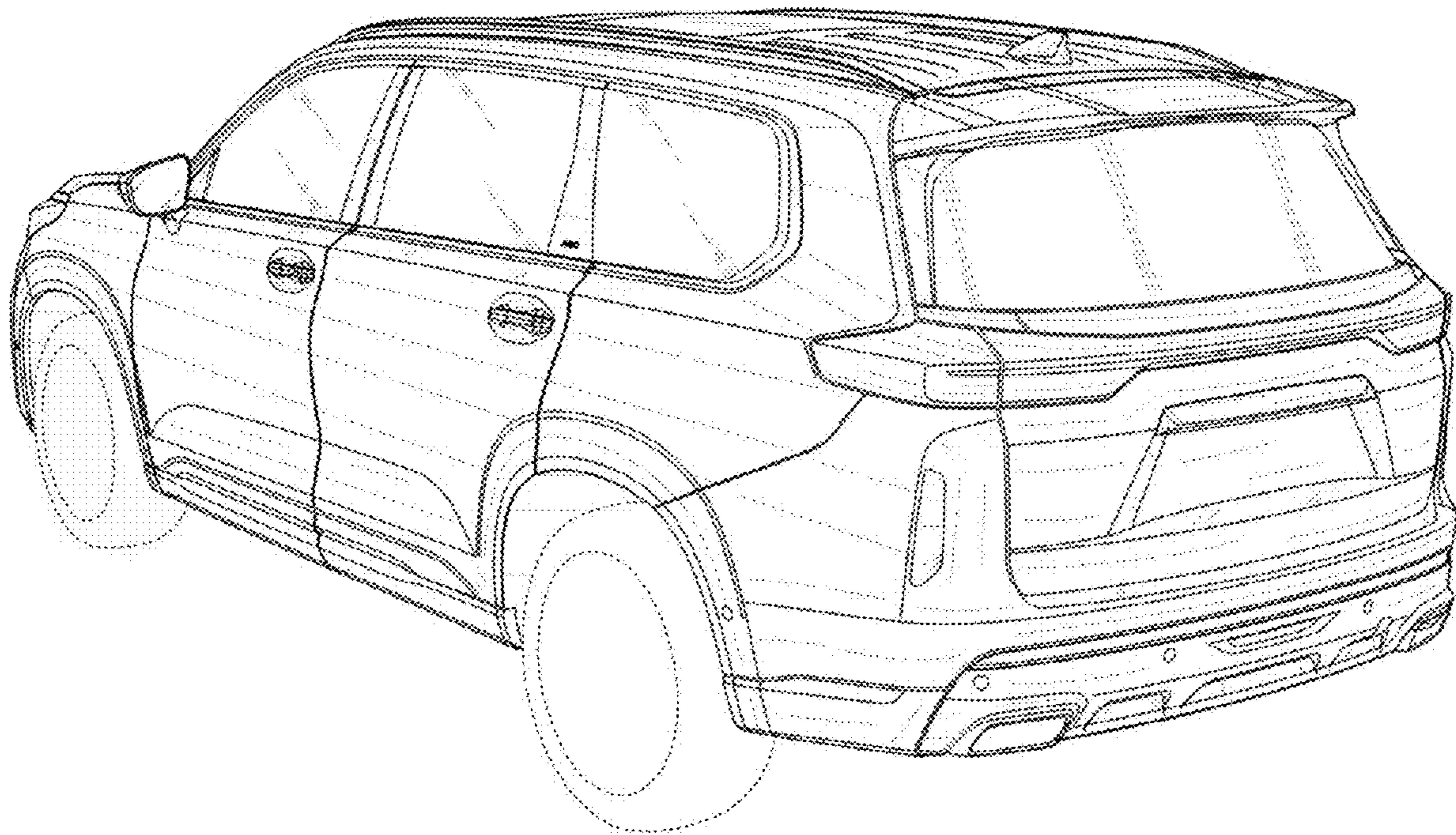


FIG. 6

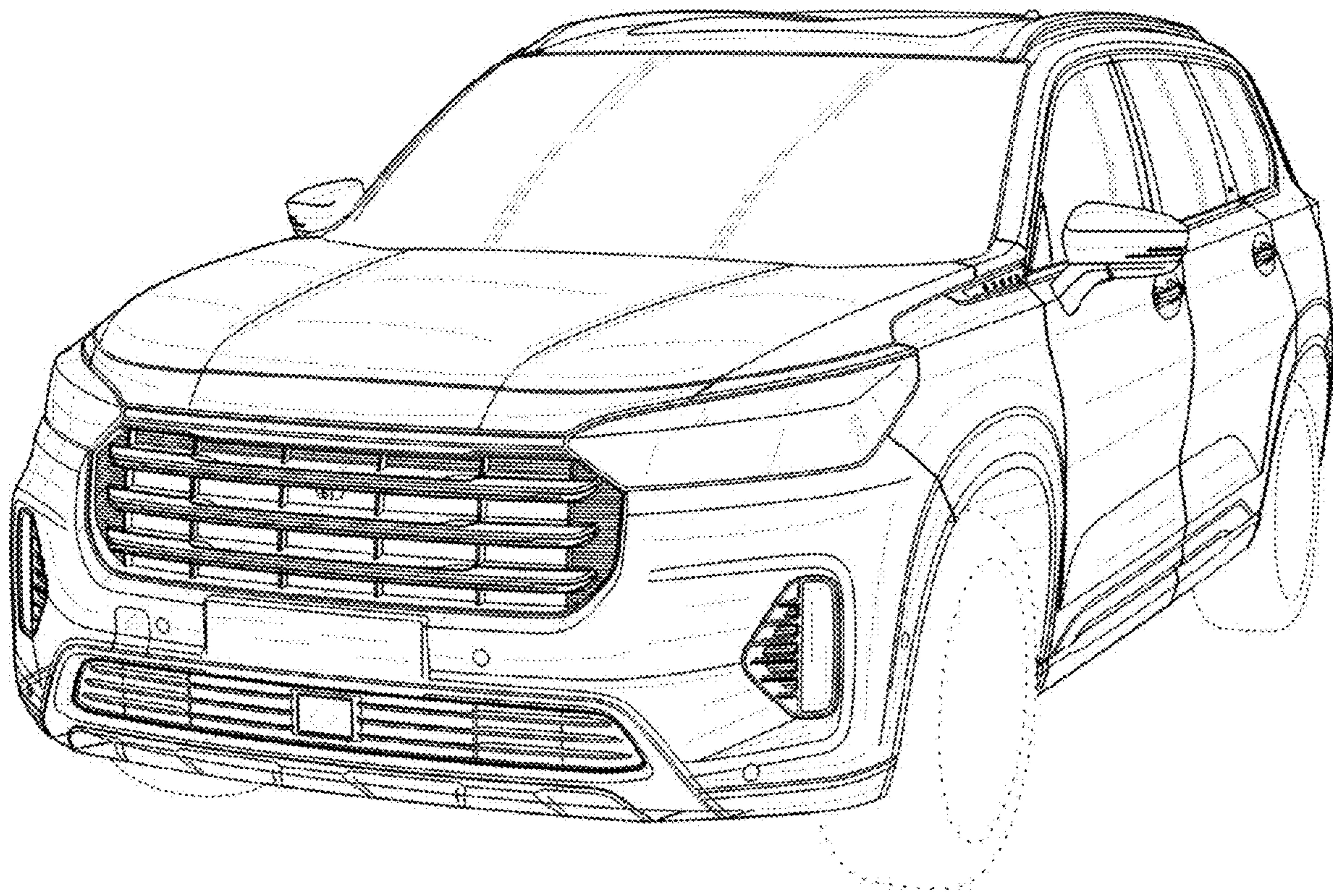


FIG. 7