



US00D928033S

(12) **United States Design Patent** (10) **Patent No.:** **US D928,033 S**
Mathe et al. (45) **Date of Patent:** **** Aug. 17, 2021**

(54) **WAIST BUCKLE**
(71) Applicants: **Michael Mathe**, Vallejo, CA (US);
Feng Han, Las Vegas, NV (US);
Zhaokun Jiang, Guangzhou (CN)
(72) Inventors: **Michael Mathe**, Vallejo, CA (US);
Feng Han, Las Vegas, NV (US);
Zhaokun Jiang, Guangzhou (CN)

D329,210 S * 9/1992 Cullmann D11/216
D353,560 S 12/1994 Rekuc
D360,390 S * 7/1995 Murai D11/200
D364,833 S 12/1995 Matoba
D456,743 S 5/2002 Uehara et al.
D468,233 S 1/2003 Della Valle
D562,729 S 2/2008 Hitchcock et al.
D605,554 S 12/2009 Yang
D700,220 S * 2/2014 Crorey D15/78
D705,121 S * 5/2014 Kostal D11/214
D738,050 S * 9/2015 Kostal D29/122

(**) Term: **15 Years**

(21) Appl. No.: **29/729,690**

(22) Filed: **Mar. 30, 2020**

(51) **LOC (13) Cl.** **02-07**

(52) **U.S. Cl.**
USPC **D11/218**

(58) **Field of Classification Search**
USPC D3/200, 201, 215, 222, 224, 226, 228,
D3/318, 323, 324; D11/87, 94, 200, 201,
D11/208-210, 212, 214, 215, 216, 218,
D11/220, 221, 228; D24/184; D29/100,
D29/122; D30/139, 152, 153; D22/108
CPC Y10T 24/498; Y10T 24/1467; Y10T
24/1488; A45F 3/005; A45F 3/14; A45F
2003/144; A45F 5/021; A45F 2200/0516;
A45F 2200/0575; F41C 33/007; F41C
33/008; A44B 11/00; A44B 11/001; A44B
11/006; A44B 11/04; A44B 11/06; A44B
11/065; A44B 11/18; A44B 11/20; A44B
11/2538; A44B 13/0047; A44B 19/00;
A44B 19/26; B65F 65/06
See application file for complete search history.

(56) **References Cited**

U.S. PATENT DOCUMENTS

D200,155 S * 1/1965 Hedu D11/216
D254,760 S * 4/1980 Petlewski D11/216
D276,477 S 11/1984 Kanzaka
D300,614 S 4/1989 Geldwerth

OTHER PUBLICATIONS

US Trademark Serial No. 88690751; Mark—WEDGE Filing date:
Nov. 13, 2019.

(Continued)

Primary Examiner — Kevin K Rudzinski
Assistant Examiner — Richard Kearney
(74) *Attorney, Agent, or Firm* — Legalforce RAPC
Worldwide

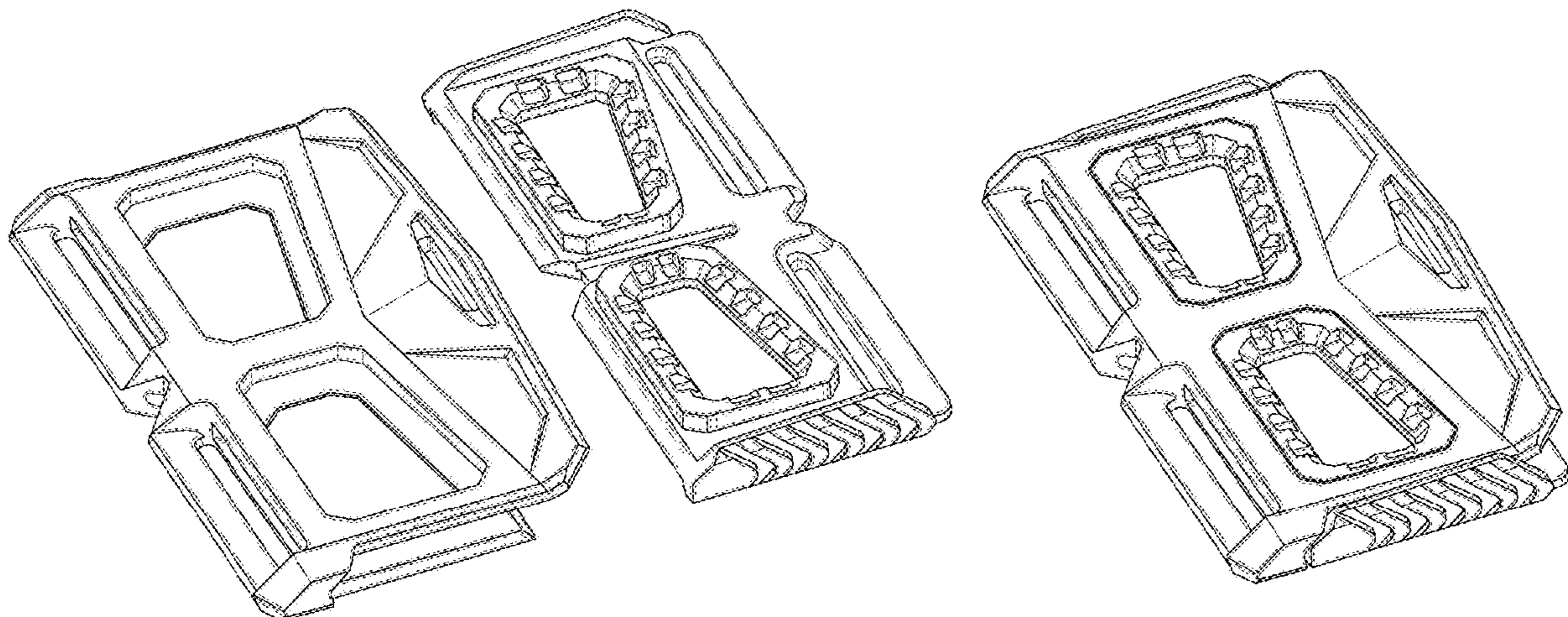
(57) **CLAIM**

The ornamental design for a waist buckle, as shown and
described.

DESCRIPTION

FIG. 1 is a front top-right side perspective view for a waist
buckle, showing our new design;
FIG. 2 is a rear bottom-left side perspective view of FIG. 1
thereof;
FIG. 3 is a front elevational view of FIG. 1 thereof;
FIG. 4 is a rear elevational view of FIG. 1 thereof;
FIG. 5 is a left side elevational view of FIG. 1 thereof, the
right side elevational view being a mirror image;
FIG. 6 is a top plan view of FIG. 1 thereof;
FIG. 7 is a bottom plan view of FIG. 1 thereof; and,
FIG. 8 is a front top-right side perspective view of the waist
buckle shown in an assembled configuration.

1 Claim, 8 Drawing Sheets



(56)

References Cited

U.S. PATENT DOCUMENTS

D742,076 S * 10/2015 Kostal D29/122
D856,189 S * 8/2019 Krezel D11/218
D860,858 S 9/2019 Evans et al.
D867,923 S 11/2019 Li
D877,513 S * 3/2020 Duncan D3/318
D896,696 S * 9/2020 Gao D11/218

OTHER PUBLICATIONS

“Dual Adjust Heavy Duty Front Release Buckle” by Ace Supplies, Found Online on Jul. 20, 2020 <https://www.acesupplies.co.uk/wp-content/uploads/2018/06/dual-adjust-heavy-duty-front-release-buckle-FK742BKA-4.jpg>.

“Centre Release Buckle” by Ace Supplies, Found Online on Jul. 20, 2020 <https://www.acesupplies.co.uk/wp-content/uploads/2018/07/centre-release-buckle.jpg>.

“Breakaway Buckles Plastic Buckles Breakaway Safety buckle” by HanciCraftCP, Found Online on Jul. 20, 2020 https://i.etsystatic.com/16939463/r/i1/5e316c/1986401809/i1_794xN.1986401809_g12m.jpg.

“Low Profile Center Push Buckle” by TriPoint, Found Online on Jul. 20, 2020 <http://www.tri-point.com/wp-content/uploads/2012/12/10-low-profile-center-push-buckle-450x355.jpg>.

* cited by examiner

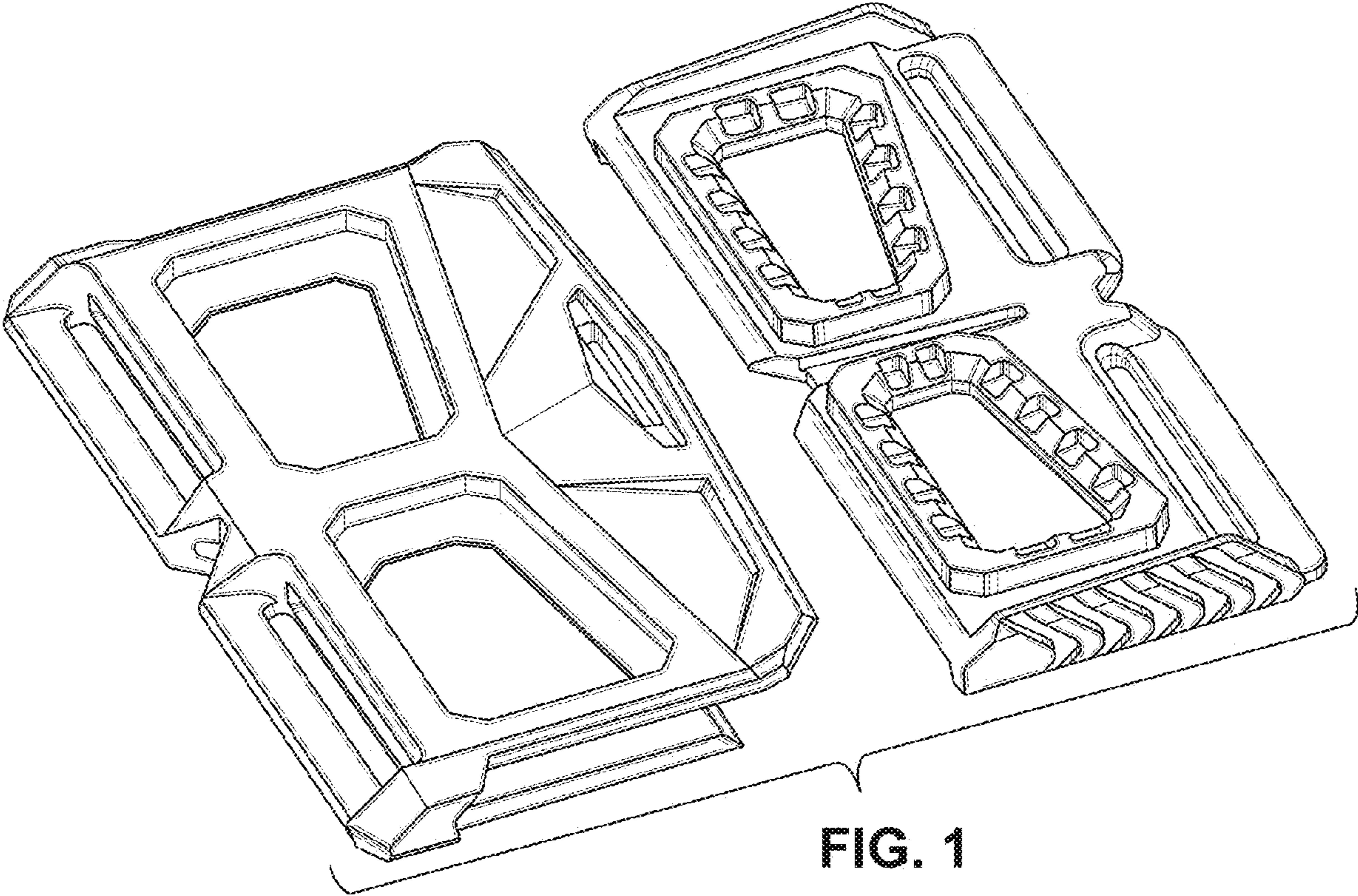


FIG. 1

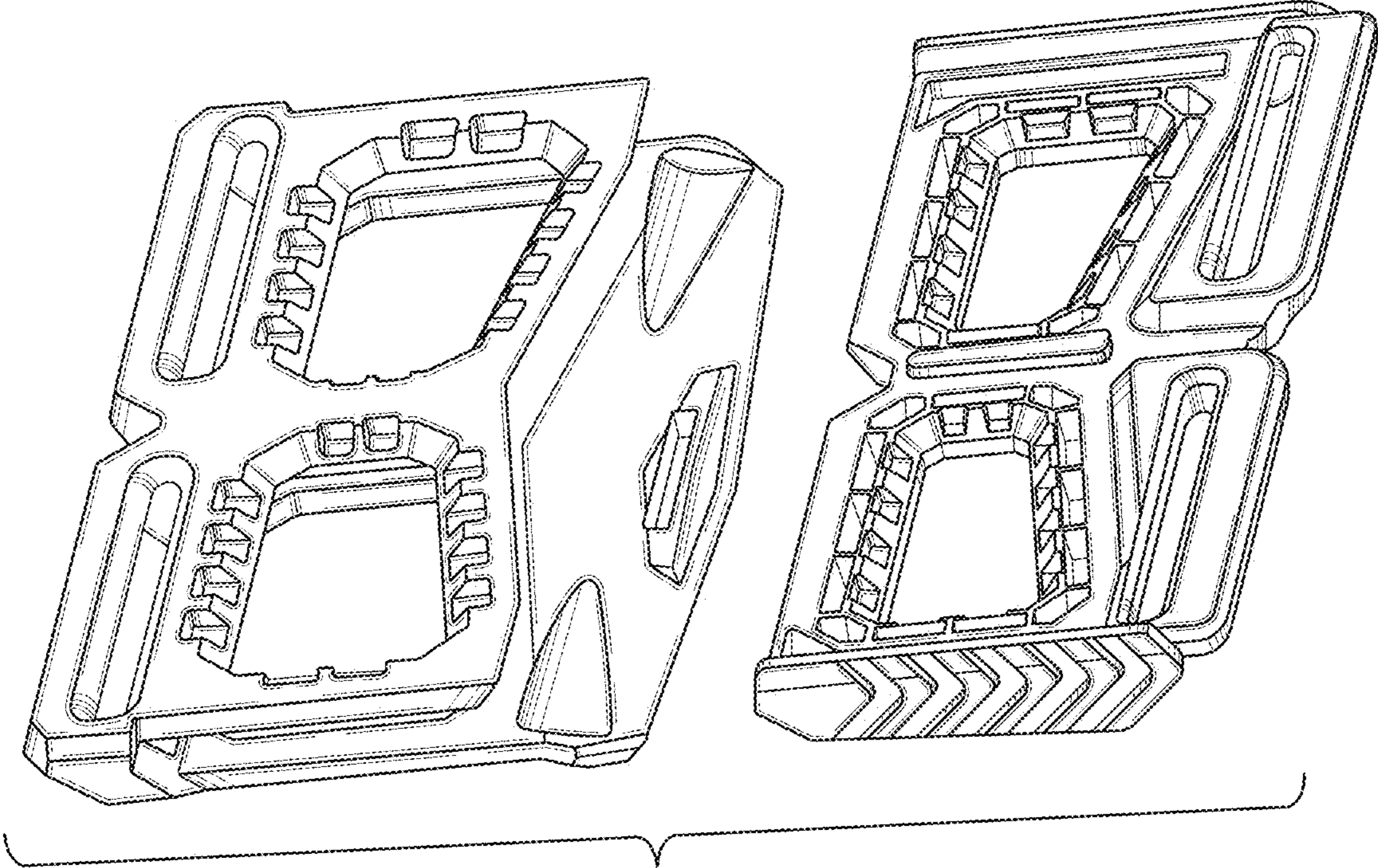


FIG. 2

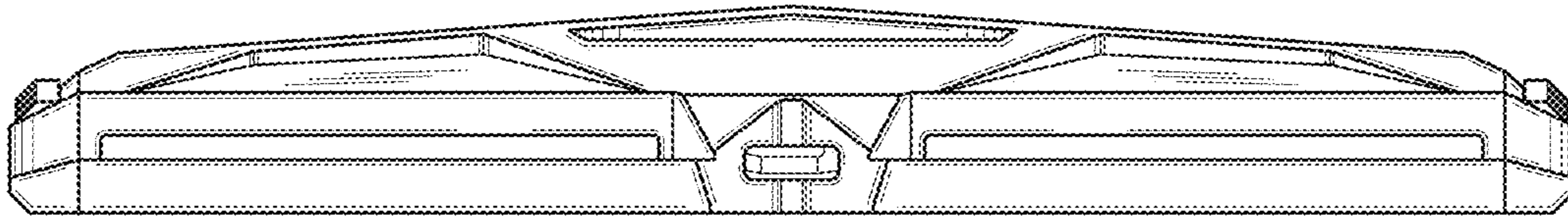


FIG. 3

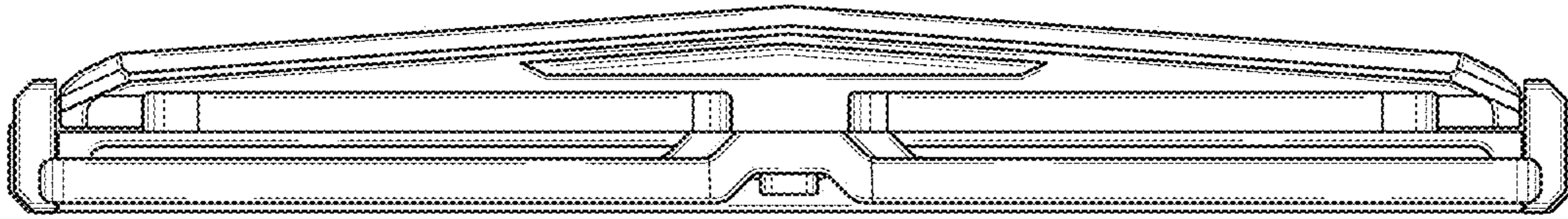


FIG. 4

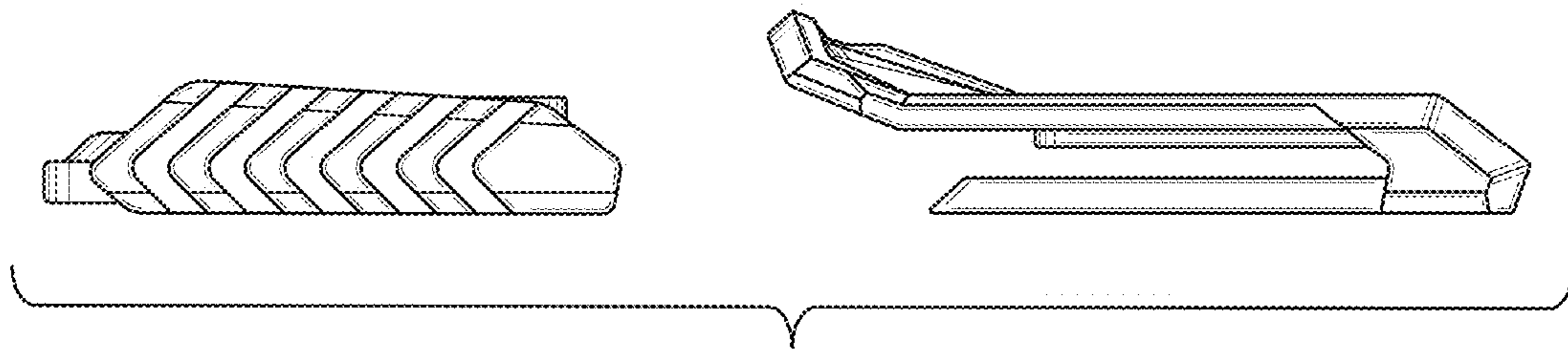


FIG. 5

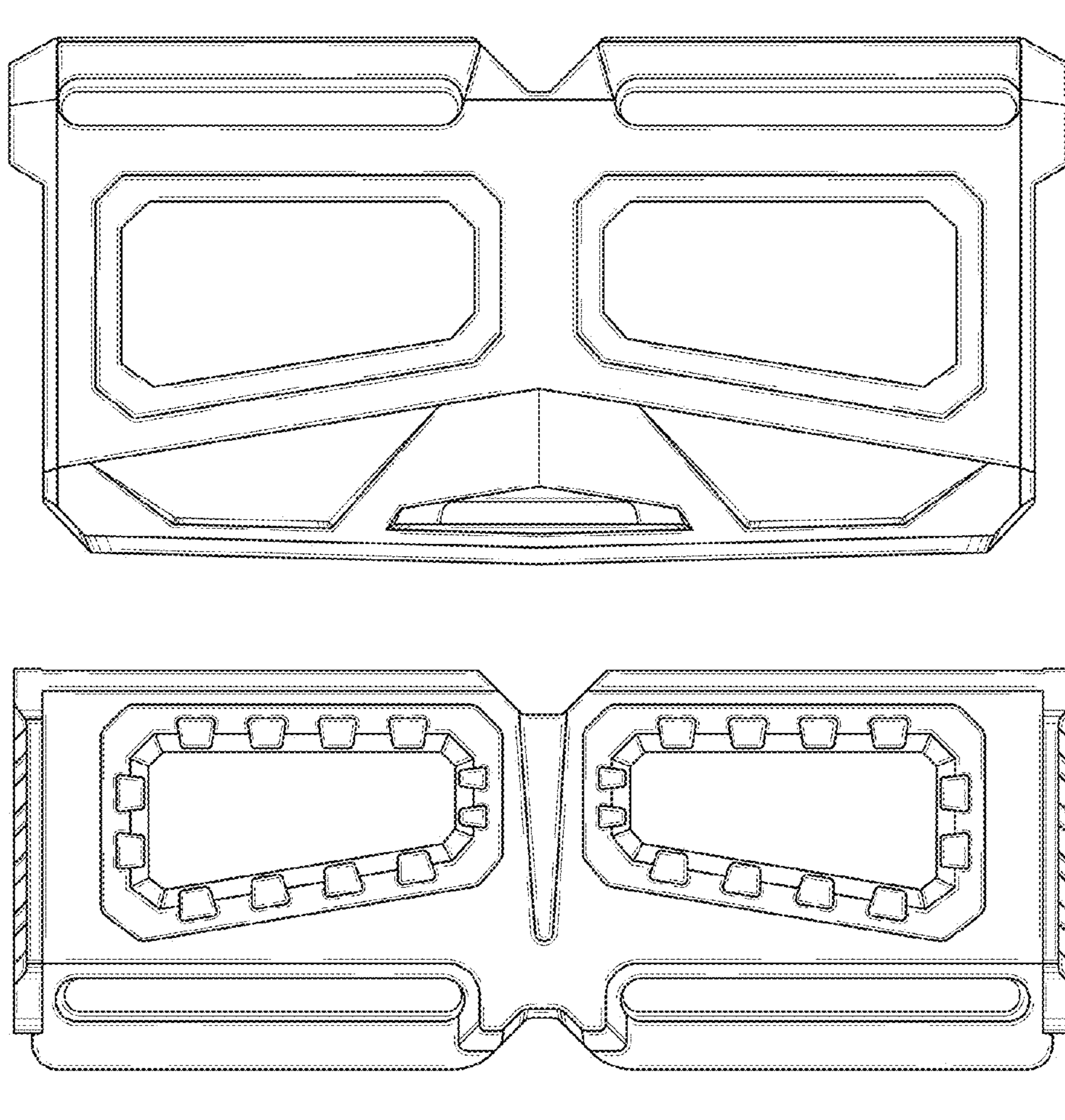


FIG. 6

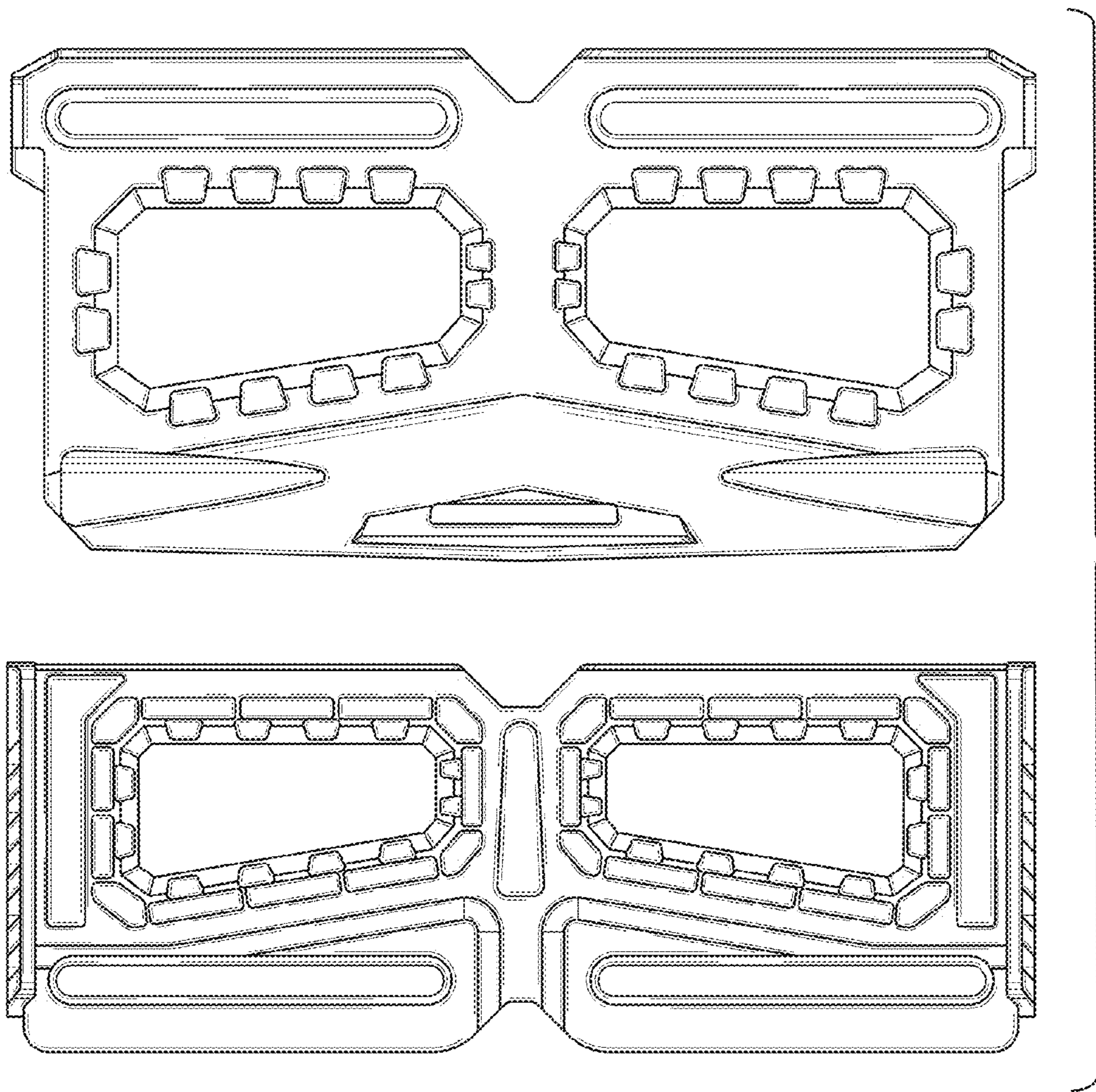


FIG. 7

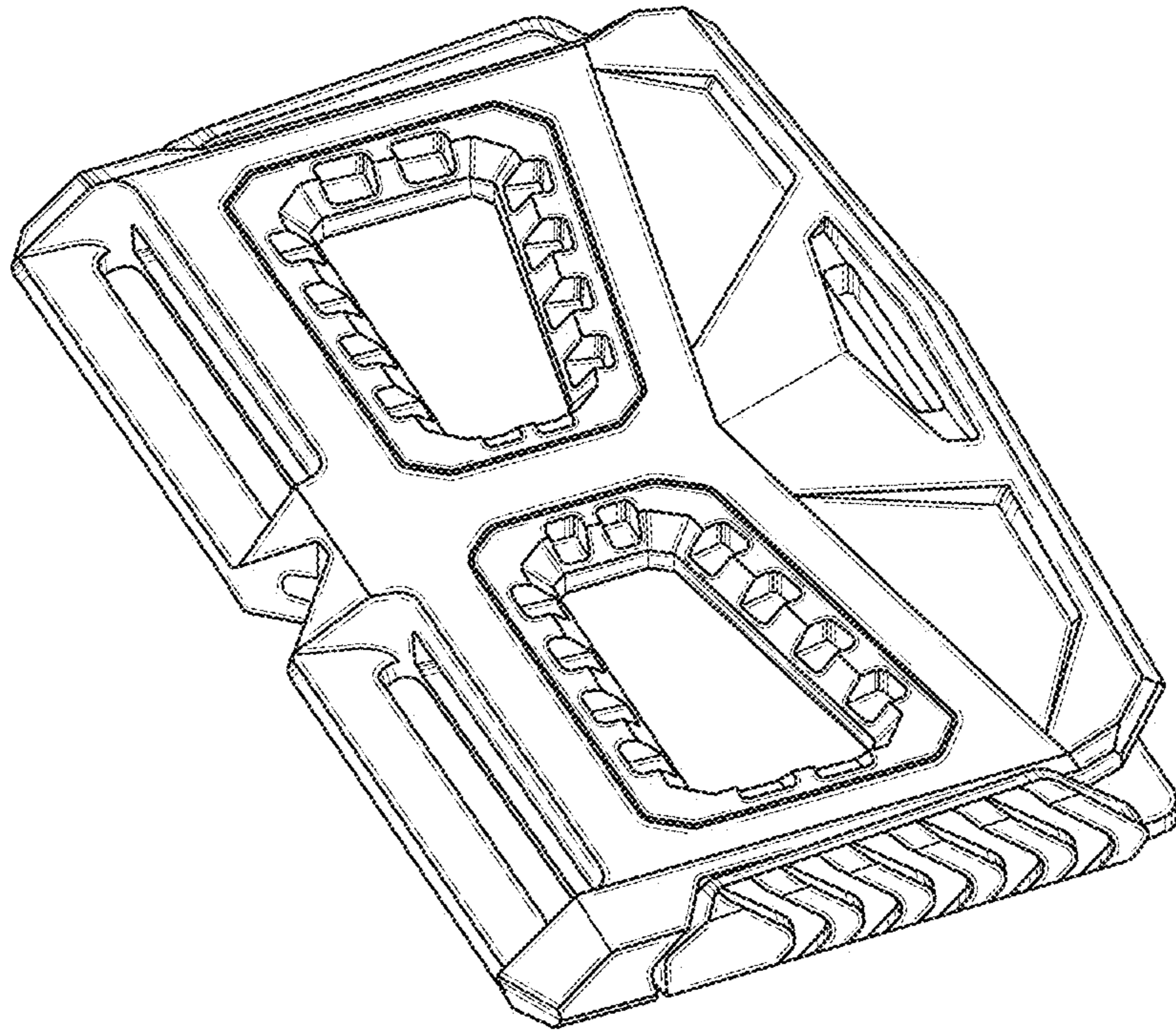


FIG. 8