



US00D928027S

(12) **United States Design Patent**
Barile

(10) **Patent No.:** **US D928,027 S**

(45) **Date of Patent:** **** Aug. 17, 2021**

(54) **FLOWERPOT**

(71) Applicant: **GABE S.R.L.**, Terlizzi (IT)

(72) Inventor: **Gioacchino Barile**, Terlizzi (IT)

(**) Term: **15 Years**

(21) Appl. No.: **29/722,155**

(22) Filed: **Jan. 27, 2020**

(51) **LOC (13) Cl.** **11-02**

(52) **U.S. Cl.**
USPC **D11/151**

(58) **Field of Classification Search**

USPC D11/143–156, 164, 89, 90; D7/560, 561,
D7/562, 586, 587; D9/651, 663, 430
CPC A01G 9/02; A01G 9/021; A01G 9/022;
A01G 9/04; A01G 27/003; A01G 27/005;
A01G 27/008; A47G 7/00; A47G 7/02;
A47G 7/06; A47G 7/08

See application file for complete search history.

(56) **References Cited**

U.S. PATENT DOCUMENTS

D76,976 S *	11/1928	Applebaum	D9/651
D99,783 S *	5/1936	Duryea	D11/147
D103,122 S *	2/1937	Mogi	D9/663
2,587,972 A *	3/1952	Crise	A44C 17/008 63/32
2,908,112 A *	10/1959	Koistinen	A47G 7/00 47/41.11
D242,160 S *	11/1976	Ruark et al.	D11/155
D317,262 S *	6/1991	Bluff	D9/431
D370,642 S *	6/1996	Stafford	D11/90
D407,036 S *	3/1999	Reisigl	D11/90
D425,816 S *	5/2000	Kavalek	D11/90
D428,356 S *	7/2000	Koucky	D11/90
D440,522 S *	4/2001	Swarovski	D11/90
D446,746 S *	8/2001	Simmons	D11/143
D483,686 S *	12/2003	Bamminger	D11/90

6,705,114 B2 *	3/2004	Steiner	A44C 17/008 63/14.9
6,758,010 B2 *	7/2004	Wright	A47G 7/045 248/318
D519,298 S *	4/2006	Wright	D6/708
D520,902 S *	5/2006	Namdar	D11/90
D534,369 S *	1/2007	Wright	D6/678
D546,229 S *	7/2007	Womack	D11/90
D574,290 S *	8/2008	Shah	D11/91
D588,952 S *	3/2009	Schneider	D11/90
D590,292 S *	4/2009	Schneider	D11/90
D595,605 S *	7/2009	Schneider	D11/90
D616,327 S *	5/2010	Schneider	D11/90
D678,115 S *	3/2013	LeVian	D11/90
D682,115 S *	5/2013	Dumas	D9/663
D688,155 S *	8/2013	Stuchlik	D11/90
D736,645 S *	8/2015	Gomez	D9/663
D901,307 S *	11/2020	Ha	D9/663
D902,776 S *	11/2020	Bansal	D11/143

(Continued)

Primary Examiner — Elizabeth A. Albert

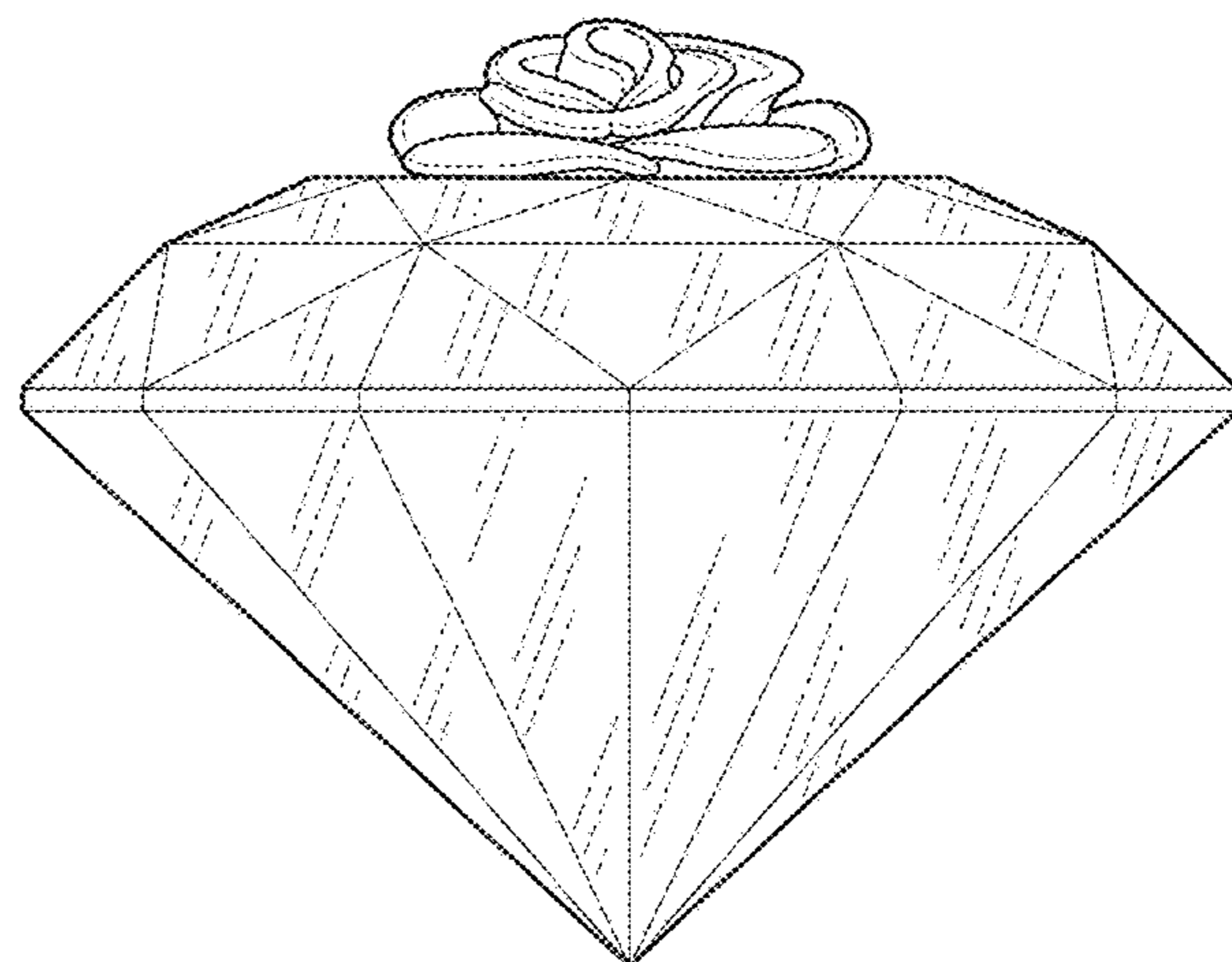
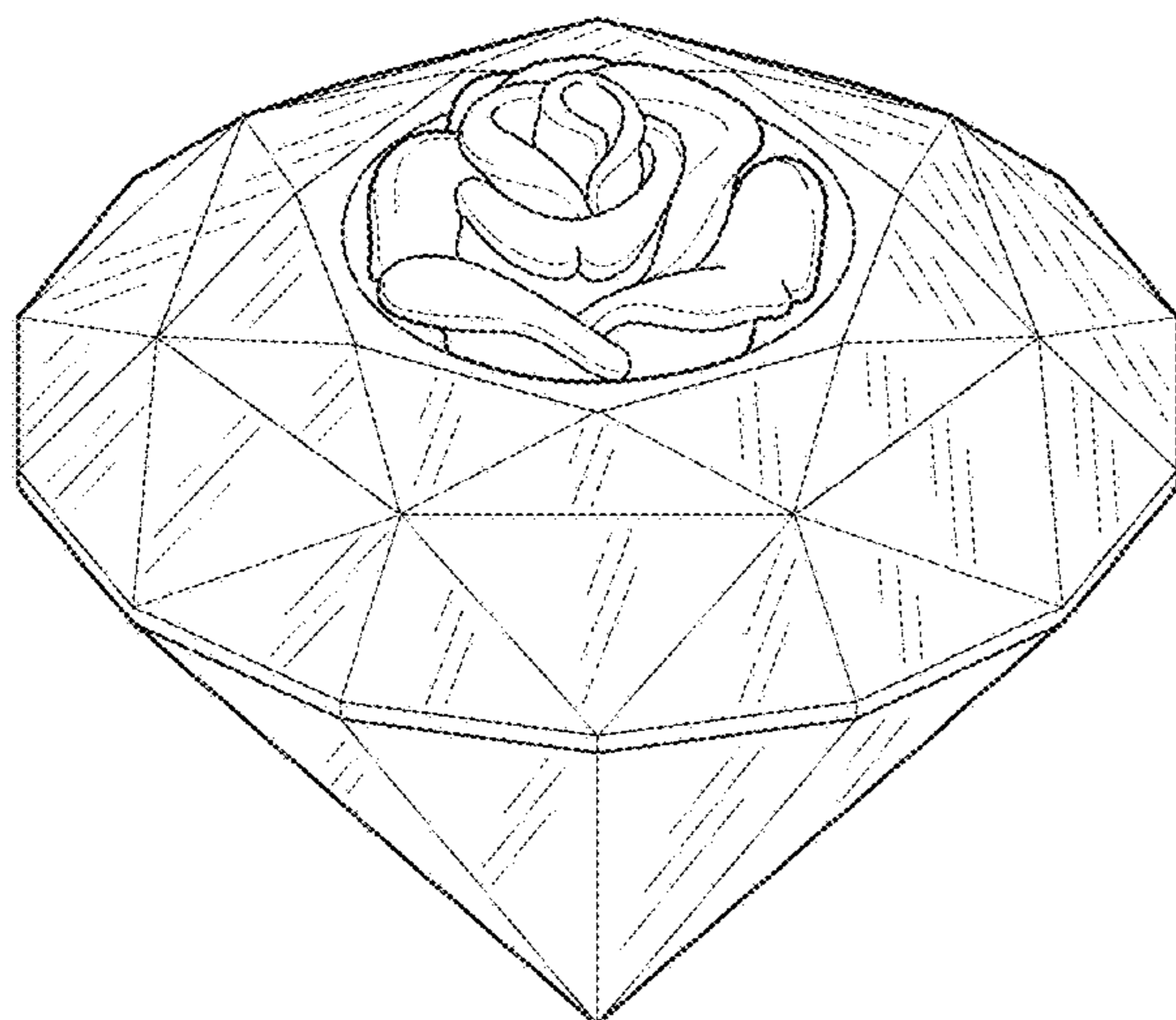
(57) **CLAIM**

The ornamental design for a flowerpot, as shown and described.

DESCRIPTION

FIG. 1 is a perspective view of a flowerpot showing my new design.
 FIG. 2 is a front view thereof;
 FIG. 3 is rear view thereof;
 FIG. 4 is a side view thereof;
 FIG. 5 is an opposite side view thereof;
 FIG. 6 is a top view thereof;
 FIG. 7 is a bottom view thereof; and,
 FIG. 8 illustrates the flowerpot in a condition of use.
 The broken line showing of a flat surface in FIG. 8 beneath the flowerpot is representative of environment of the claimed design and forms no part thereof.

1 Claim, 2 Drawing Sheets



(56)

References Cited

U.S. PATENT DOCUMENTS

2004/0068926 A1* 4/2004 Wright A47G 7/045
47/67

* cited by examiner

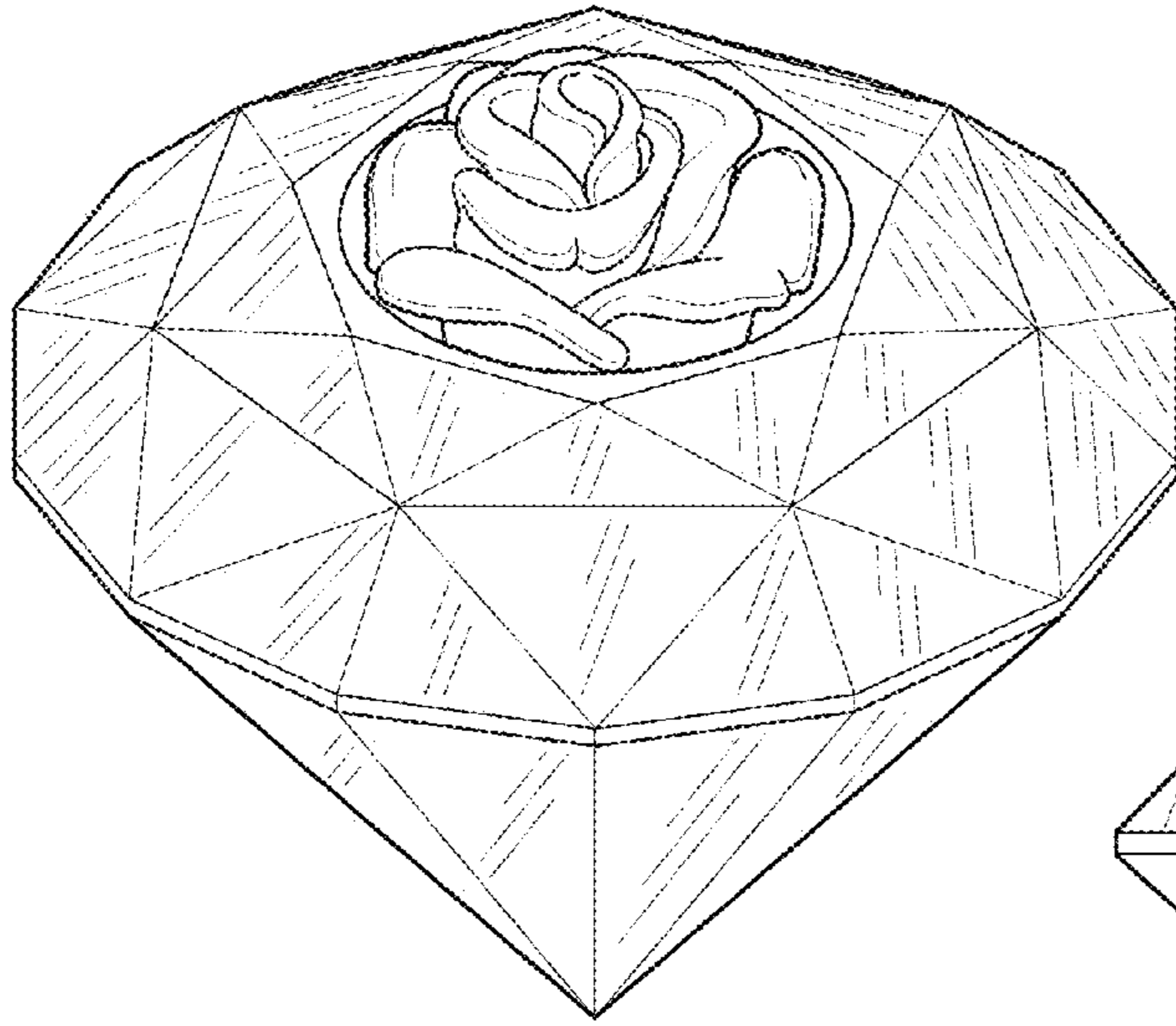


FIG. 1

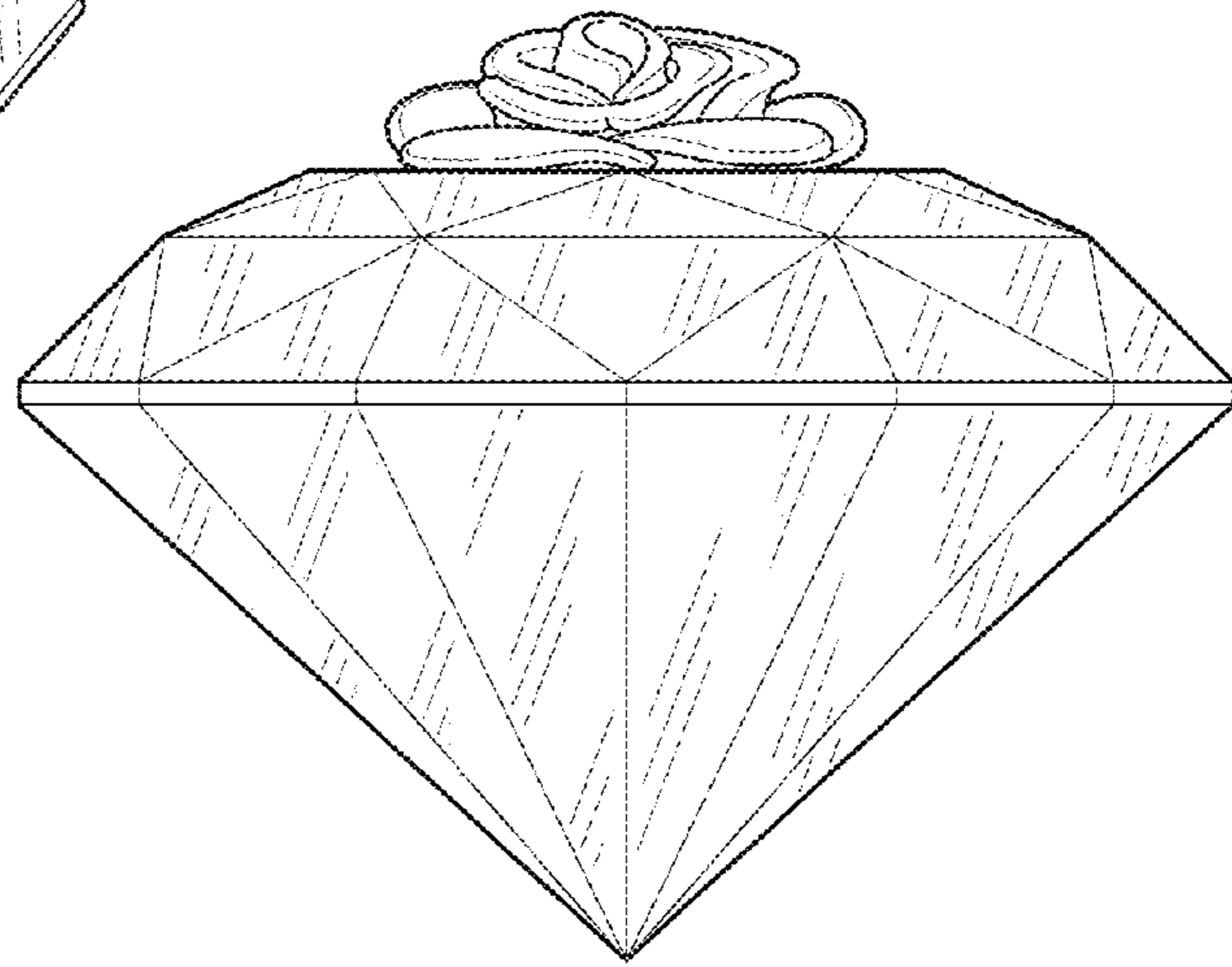


FIG. 2

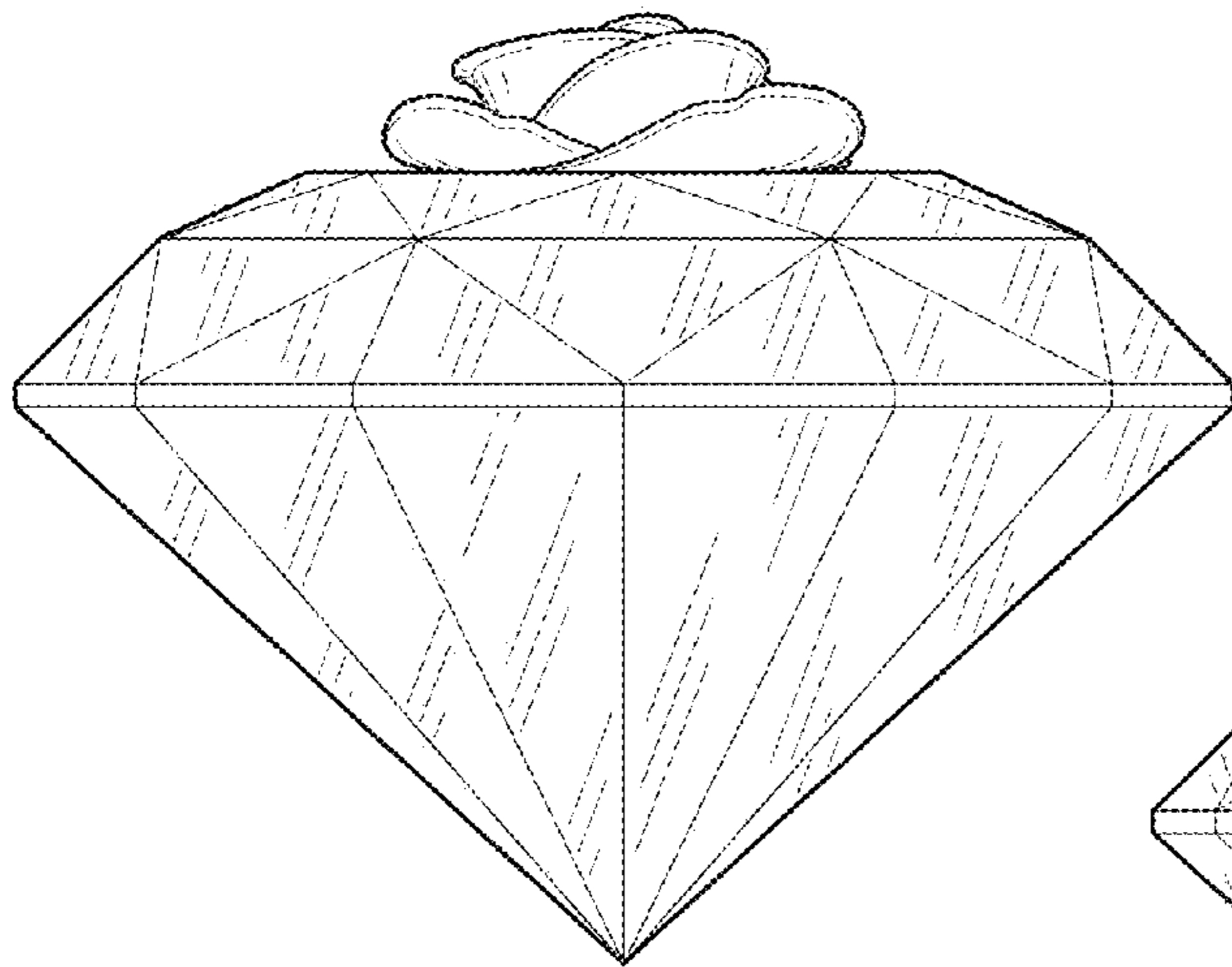


FIG. 3

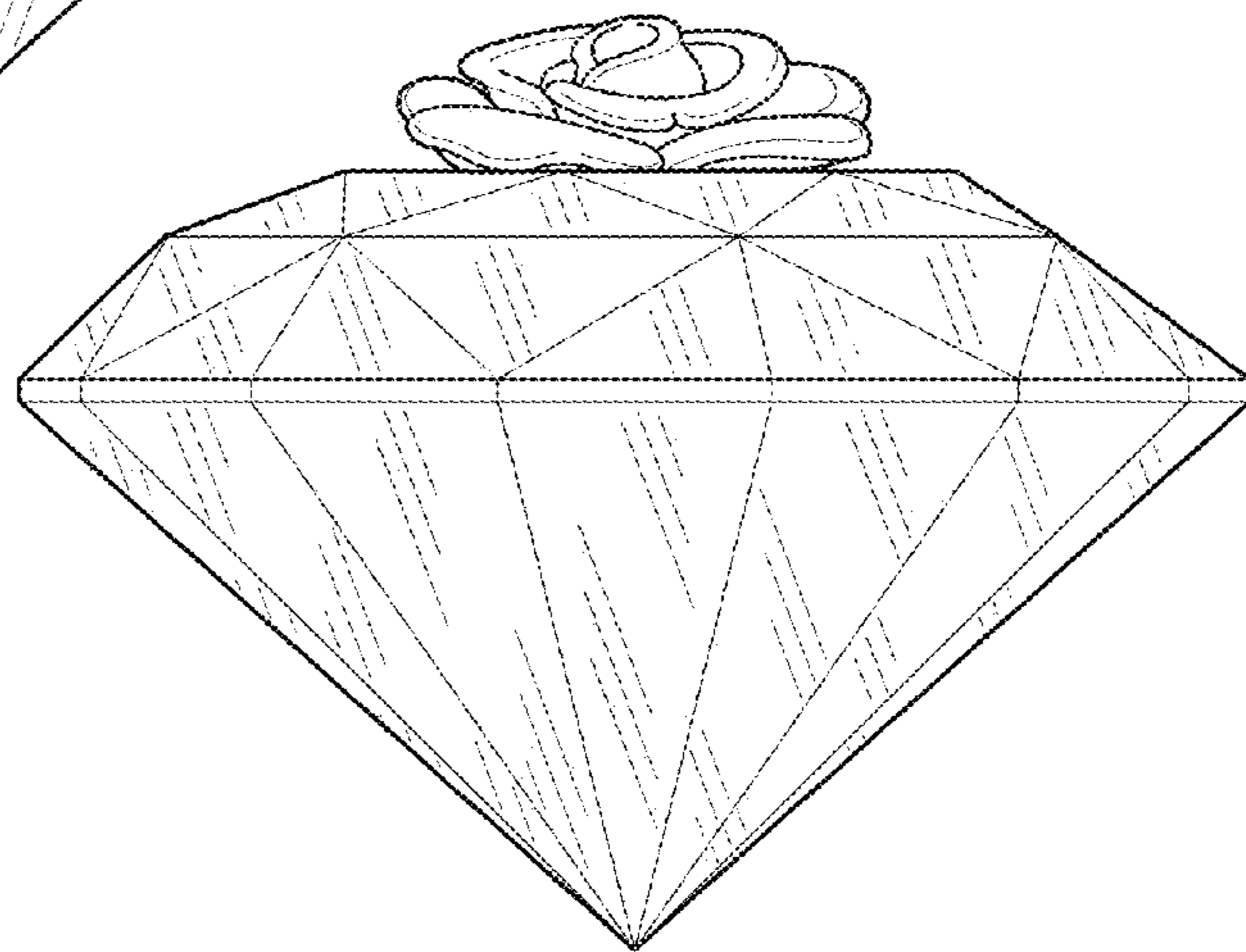


FIG. 4

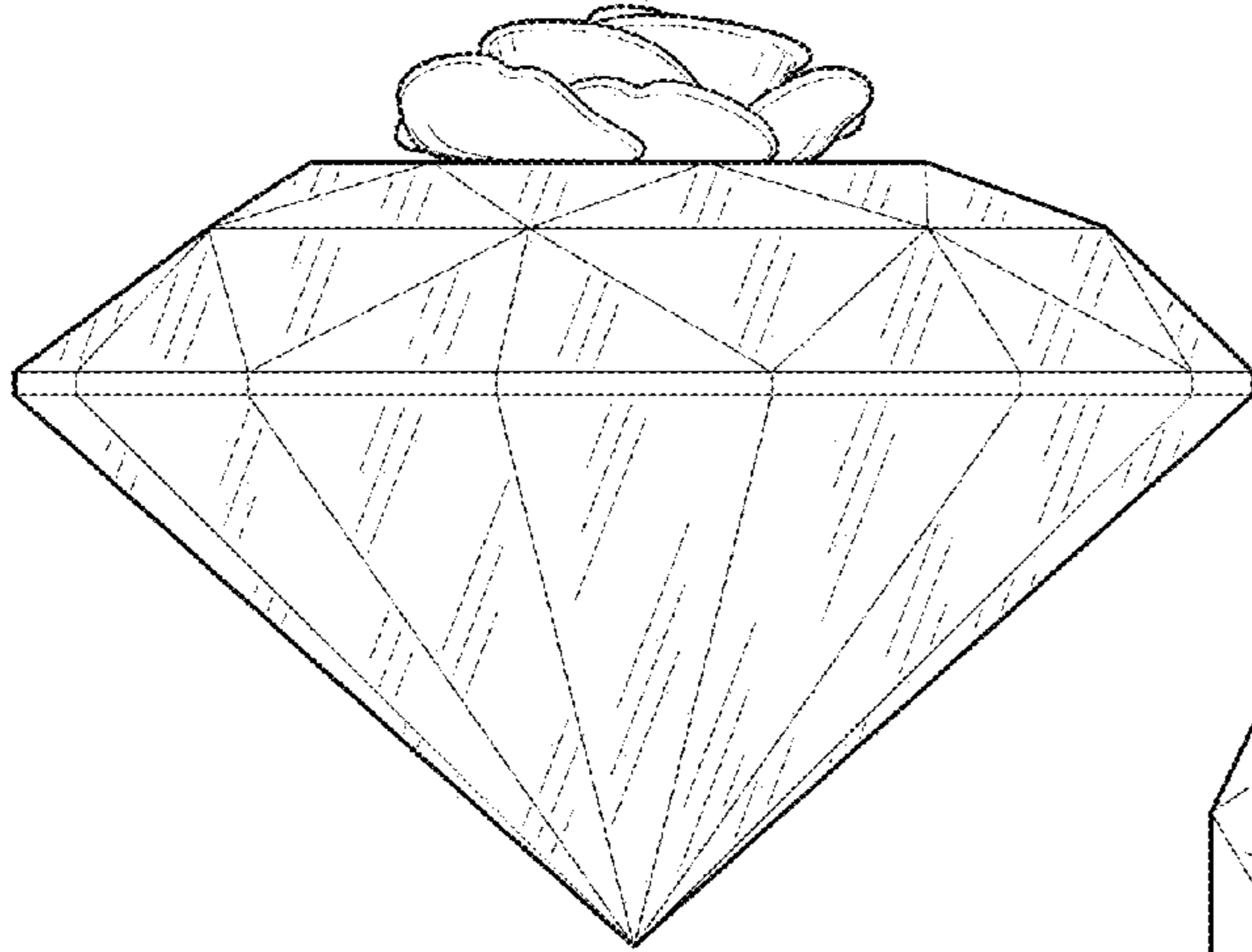


FIG. 5

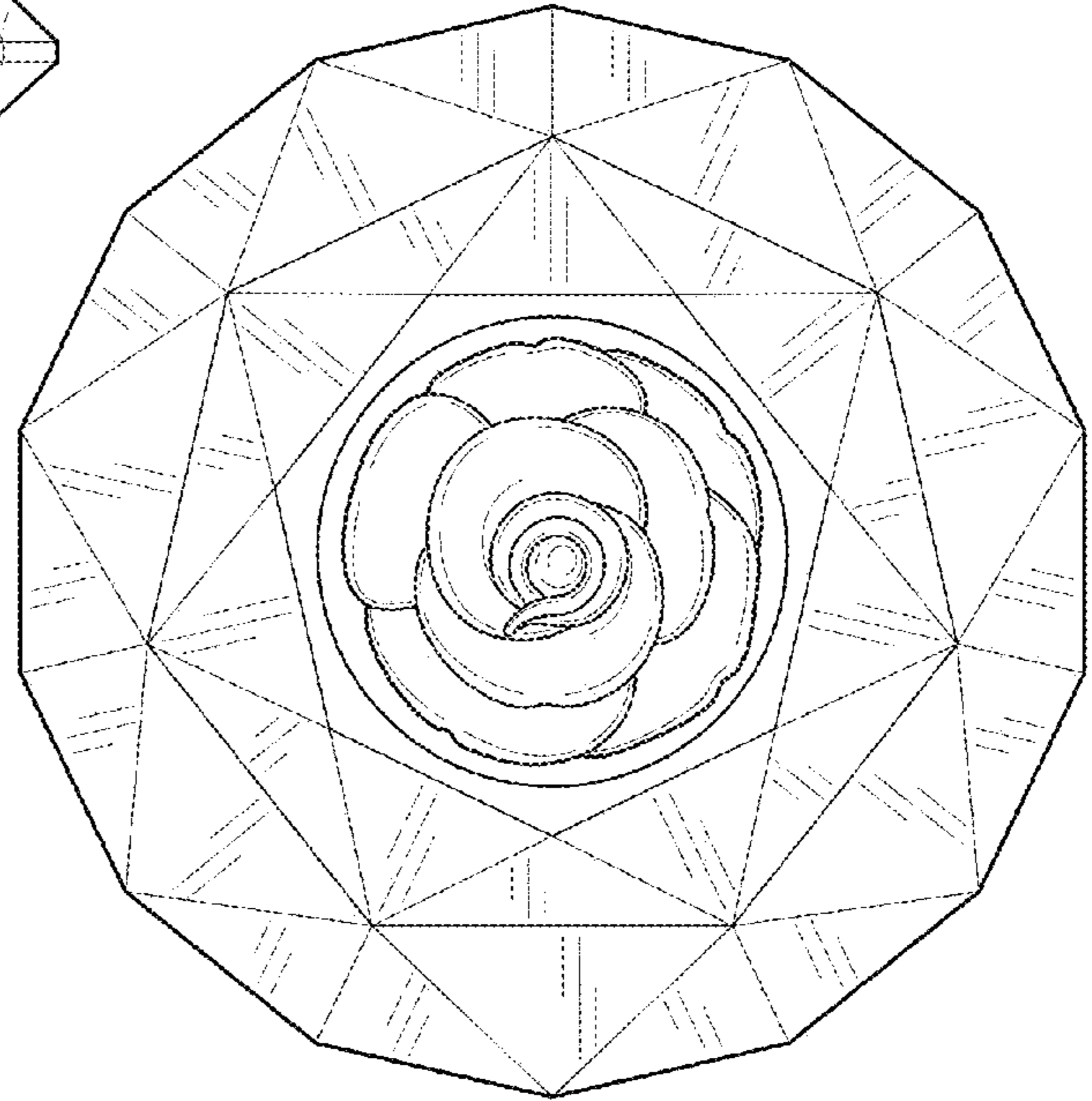


FIG. 6

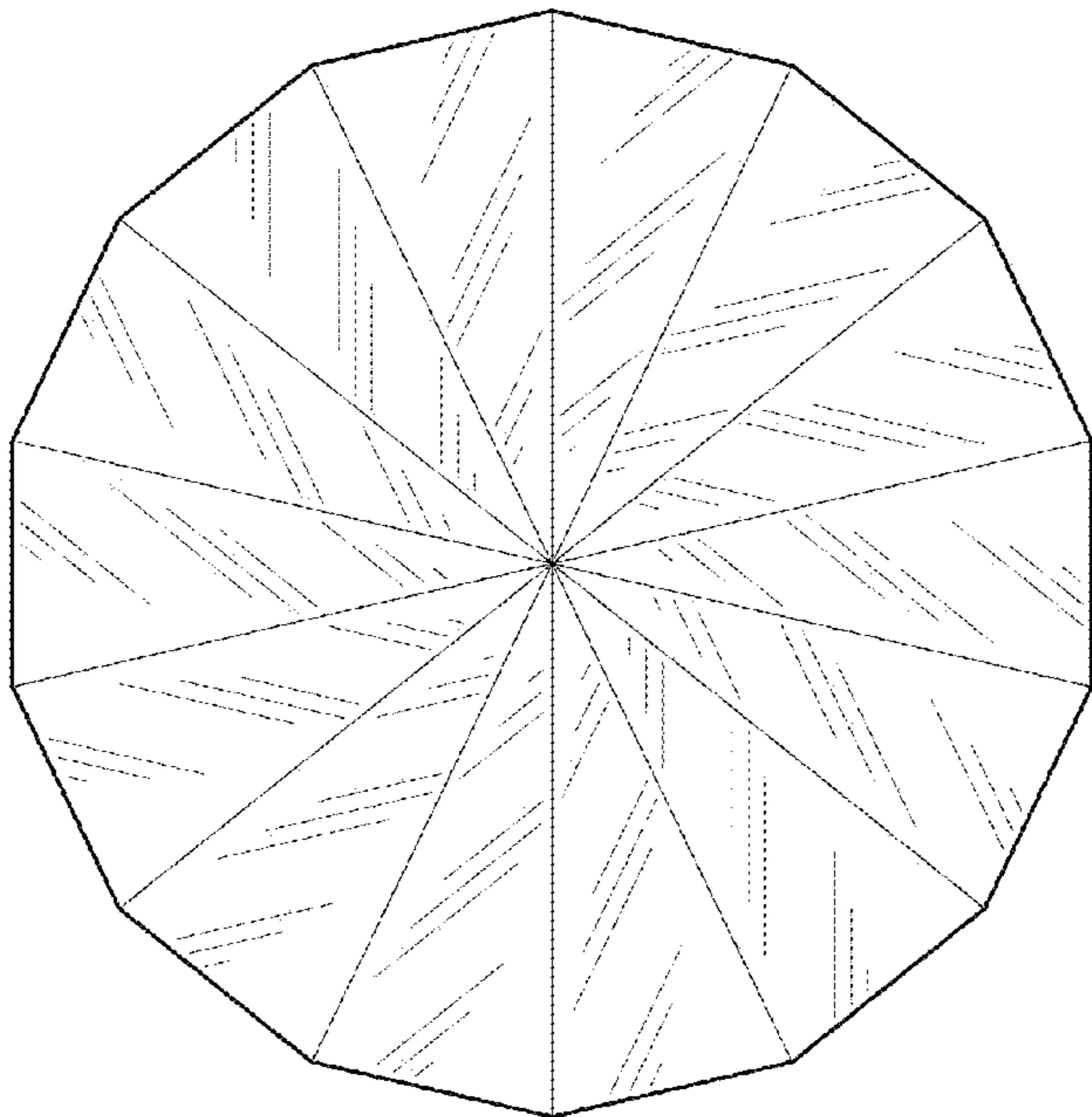


FIG. 7

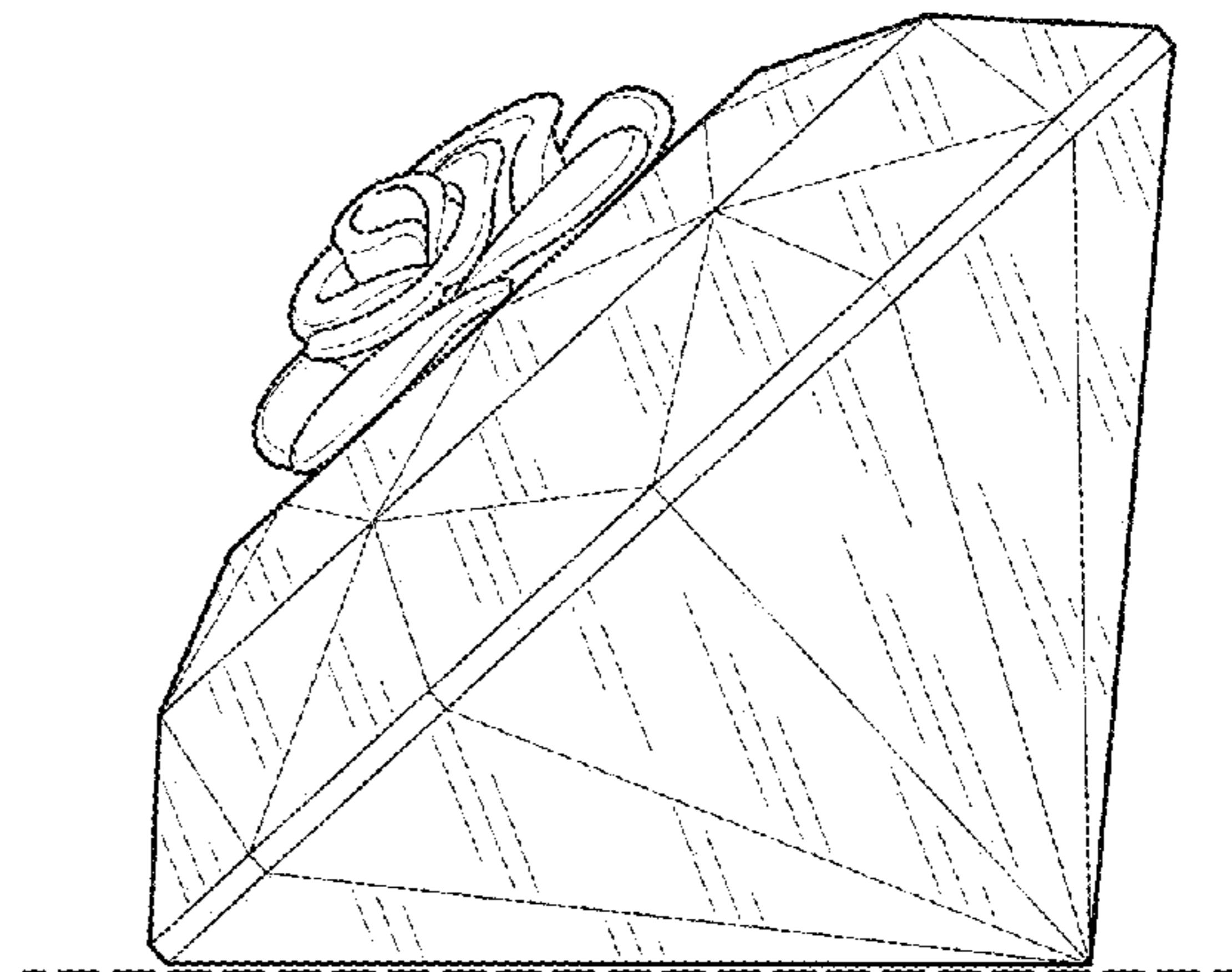


FIG. 8