



US00D928026S

(12) **United States Design Patent**
Barile

(10) **Patent No.:** **US D928,026 S**

(45) **Date of Patent:** **** Aug. 17, 2021**

(54) **FLOWERPOT**

(71) Applicant: **GABE S.R.L.**, Terlizzi (IT)

(72) Inventor: **Gioacchino Barile**, Terlizzi (IT)

(**) Term: **15 Years**

(21) Appl. No.: **29/724,258**

(22) Filed: **Feb. 13, 2020**

(51) **LOC (13) Cl.** **11-02**

(52) **U.S. Cl.**
USPC **D11/143**

(58) **Field of Classification Search**
USPC D11/143–156, 164; D7/586, 587
CPC A01G 9/02; A01G 9/021; A01G 9/022;
A01G 9/04; A01G 27/003; A01G 27/005;
A01G 27/008; A47G 7/00; A47G 7/02;
A47G 7/06; A47G 7/08
See application file for complete search history.

(56) **References Cited**

U.S. PATENT DOCUMENTS

- D106,790 S * 11/1937 Guerlain D9/430
- 2,148,959 A * 2/1939 Pavlecka F16B 39/34
411/302
- 3,137,095 A * 6/1964 Pearson A01G 9/023
47/83
- D259,774 S * 7/1981 Criscitiello, Jr. D11/143
- 4,355,485 A * 10/1982 Frank A01G 9/023
47/82
- 5,033,232 A * 7/1991 Vaughn A47G 7/08
47/72
- D326,830 S * 6/1992 Vaughn D11/143
- D328,706 S * 8/1992 Ruff D9/430

- D384,001 S * 9/1997 Waszkiewicz, III D11/143
- D385,186 S * 10/1997 Fildan D9/430
- D388,738 S * 1/1998 Weder D11/164
- D406,547 S * 3/1999 Weder D11/164
- D424,331 S * 5/2000 Juang D6/659
- D440,832 S * 4/2001 Goldsborough D11/152
- D542,097 S * 5/2007 Wasserman D7/523
- D556,512 S * 12/2007 Mansfield D7/509
- D563,171 S * 3/2008 Mansfield D7/509
- D572,168 S * 7/2008 Kurtz D11/152
- D582,266 S * 12/2008 Helms, Jr. D9/430
- D693,181 S * 11/2013 Chase D7/586
- D773,844 S * 12/2016 Dzugan D6/534
- D783,306 S * 4/2017 Gal D6/534
- D786,668 S * 5/2017 Cornaglia D9/430
- D826,695 S * 8/2018 Bolster D8/354
- D900,601 S * 11/2020 Chen D9/430
- D902,776 S * 11/2020 Bansal D11/143

* cited by examiner

Primary Examiner — Elizabeth A. Albert

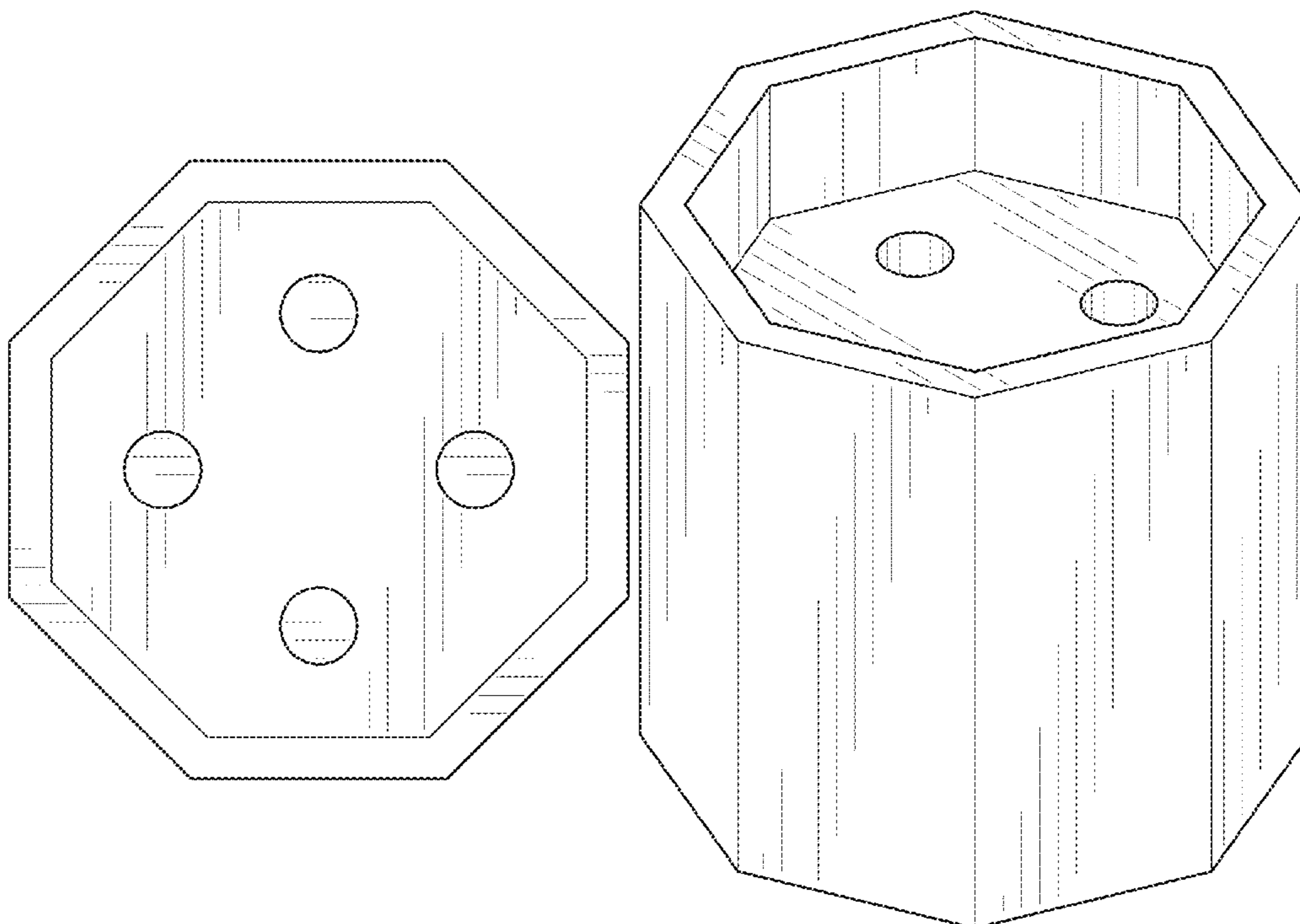
(57) **CLAIM**

The ornamental design for a flowerpot, as shown and described.

DESCRIPTION

FIG. 1 is a top view of a flowerpot showing my new design. FIG. 2 is an upper perspective view thereof; FIG. 3 is a lower perspective view thereof; FIG. 4 is a front view thereof, wherein rear, right side and left side views are identical; and, FIG. 5 is a bottom view thereof. The broken lines in FIGS. 3 and 5 illustrate portions of the flowerpot that form no part of the claimed design.

1 Claim, 2 Drawing Sheets



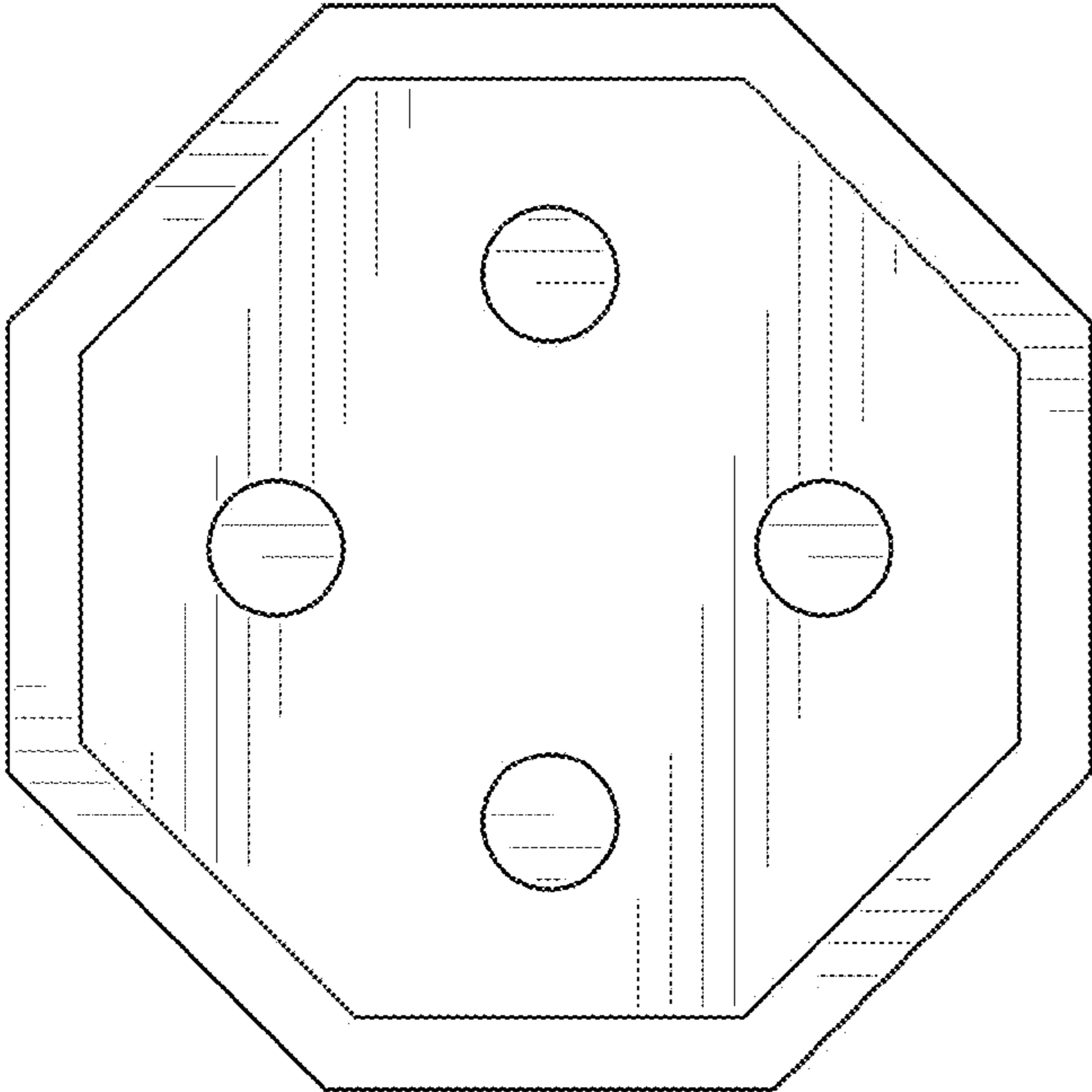


FIG. 1

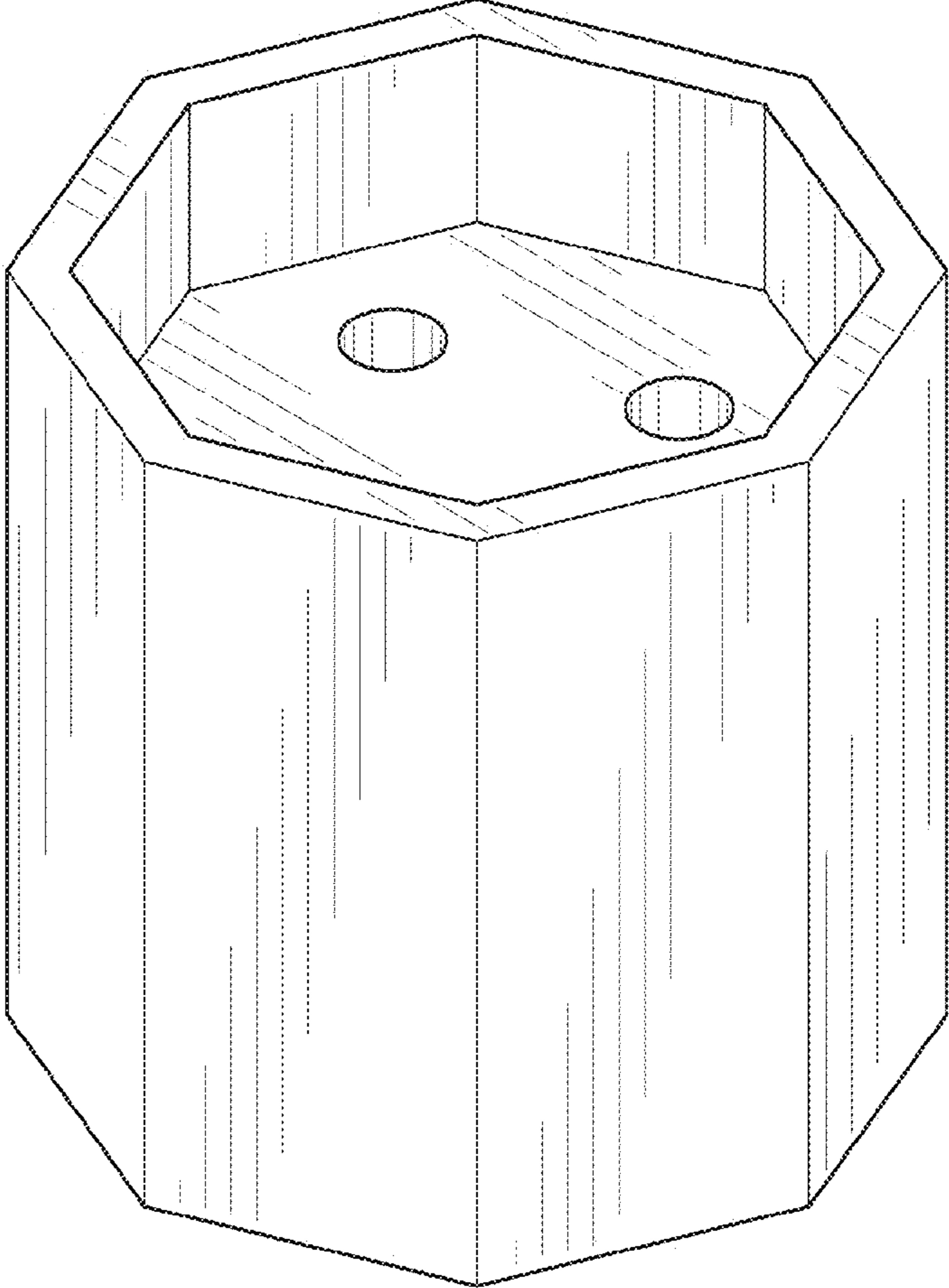


FIG. 2

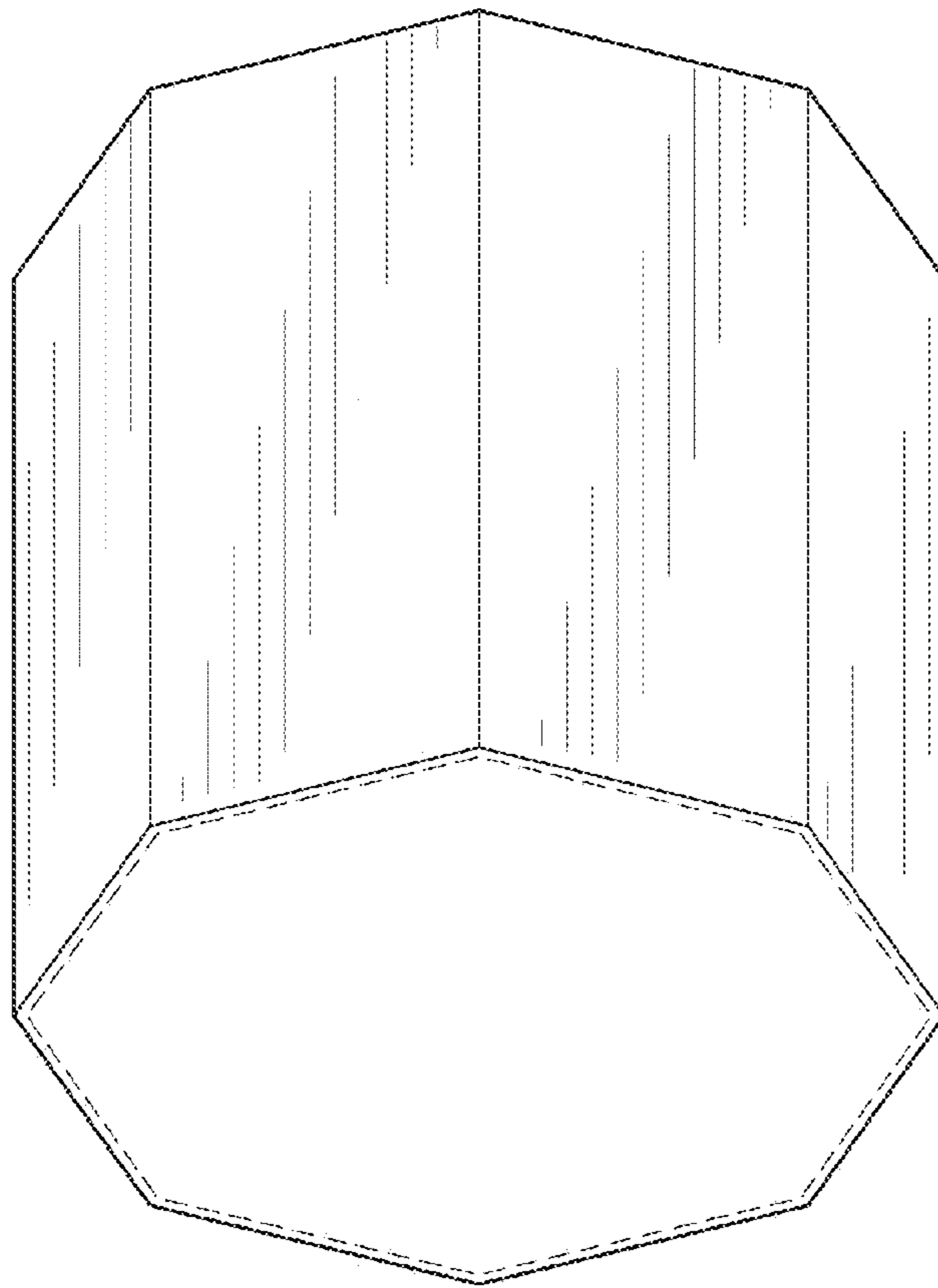


FIG. 3

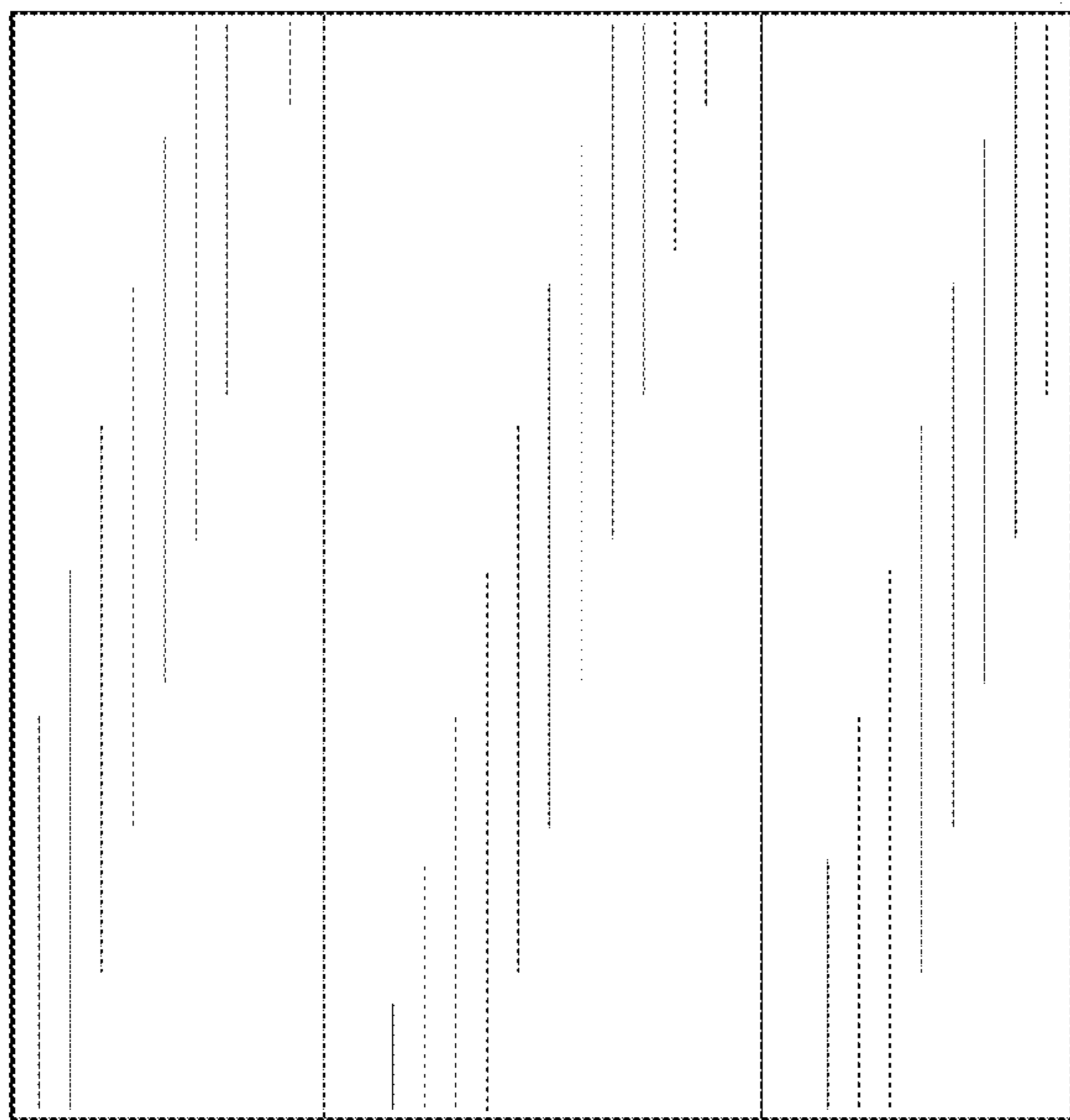


FIG. 4

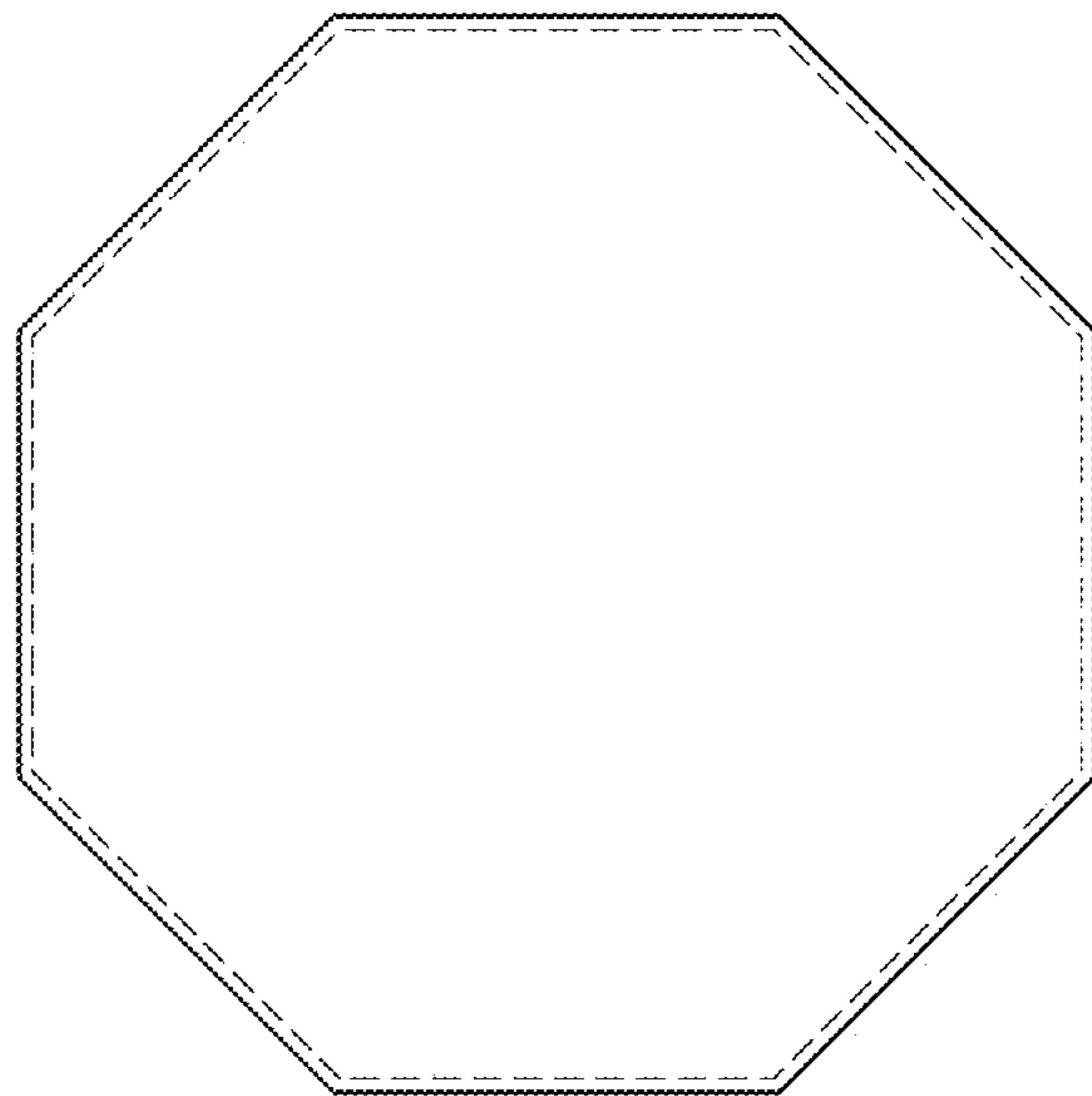


FIG. 5